



US00D895879S

(12) **United States Design Patent**
Hu

(10) **Patent No.:** **US D895,879 S**

(45) **Date of Patent:** **** Sep. 8, 2020**

(54) **TAIL LIGHT**

(71) Applicant: **Chun Hu**, Guangzhou (CN)

(72) Inventor: **Chun Hu**, Guangzhou (CN)

(**) Term: **15 Years**

(21) Appl. No.: **29/693,557**

(22) Filed: **Jun. 3, 2019**

(51) **LOC (12) Cl.** **26-05**

(52) **U.S. Cl.**

USPC **D26/74**

(58) **Field of Classification Search**

USPC D26/28, 29, 30, 31, 32, 33, 34, 35, 36

CPC F21S 48/00; F21S 48/10; F21S 48/115;

F21S 48/225; F21S 48/1233; F21S

48/1266; F21S 48/1388; F21S 48/2268;

F21V 21/04; F21W 2103/35; F21W 3/40;

F21W 2102/17; F21W 2102/30; F21W

2103/00; F21W 2103/55; F21W 2104/00;

F21W 2107/17; F21W 2107/13

See application file for complete search history.

(56) **References Cited**

U.S. PATENT DOCUMENTS

D511,850 S * 11/2005 Huang D26/28

D524,463 S * 7/2006 Branstetter D26/28

D535,044 S * 1/2007 Branstetter D26/28

D742,042 S * 10/2015 Li D26/28

D765,285 S * 8/2016 Lai D26/28

D827,887 S * 9/2018 Pan D26/28

D828,591 S * 9/2018 Wu D26/28

D840,067 S * 2/2019 Ding D26/28

D857,263 S * 8/2019 Goodrich D26/28

D873,453 S * 1/2020 Grabowski D26/28

D874,037 S * 1/2020 Grabowski D26/28

D881,428 S * 4/2020 Ko D26/28

* cited by examiner

Primary Examiner — Angela J Lee

(57) **CLAIM**

The ornamental design for a tail light, as shown and described.

DESCRIPTION

FIG. 1 is a front perspective view of a tail light showing my new design;

FIG. 2 is a rear perspective view thereof;

FIG. 3 is a front view thereof;

FIG. 4 is a rear view thereof;

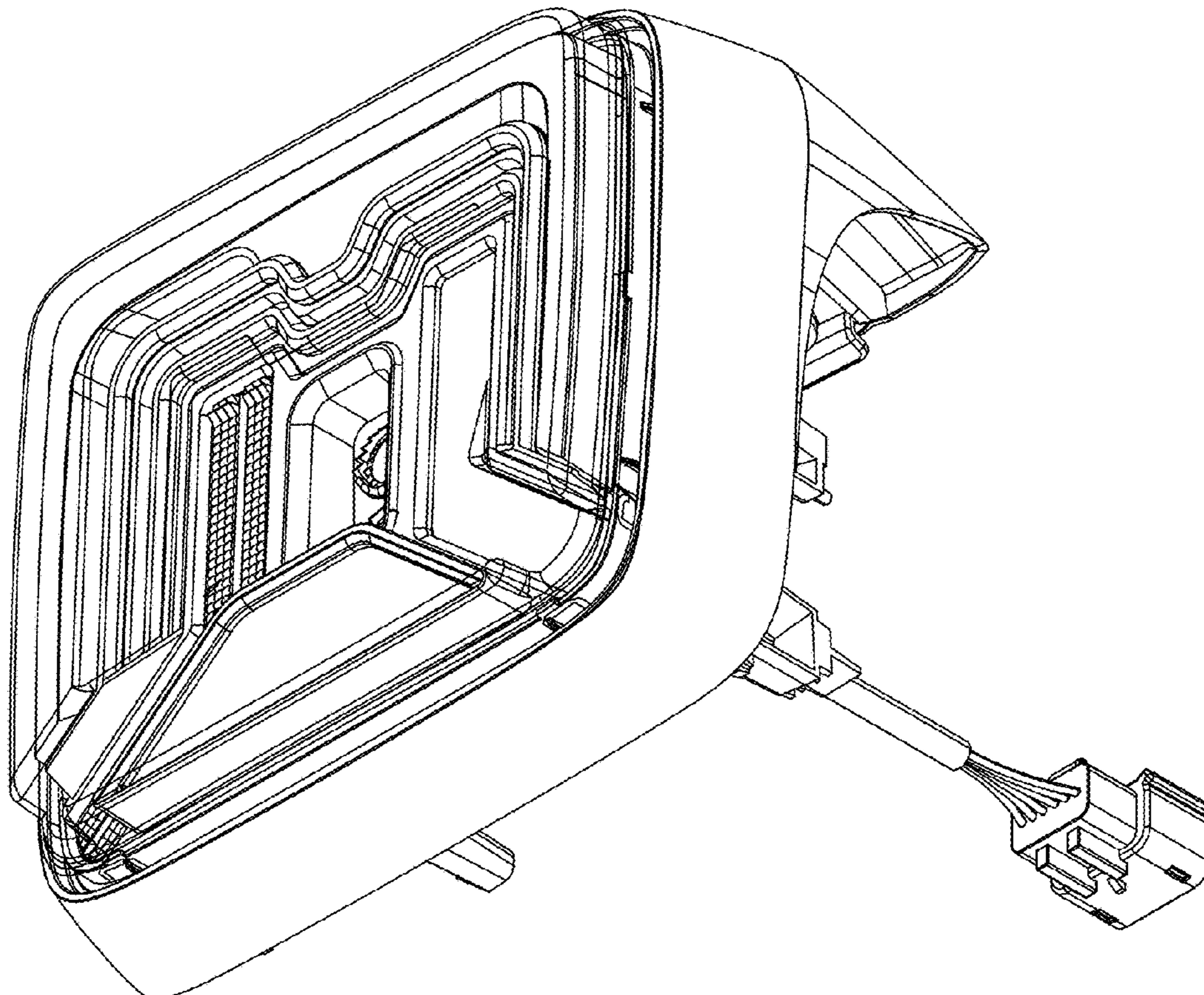
FIG. 5 is a side view thereof;

FIG. 6 is another side view thereof;

FIG. 7 is a top view thereof; and,

FIG. 8 is a bottom view thereof.

1 Claim, 8 Drawing Sheets



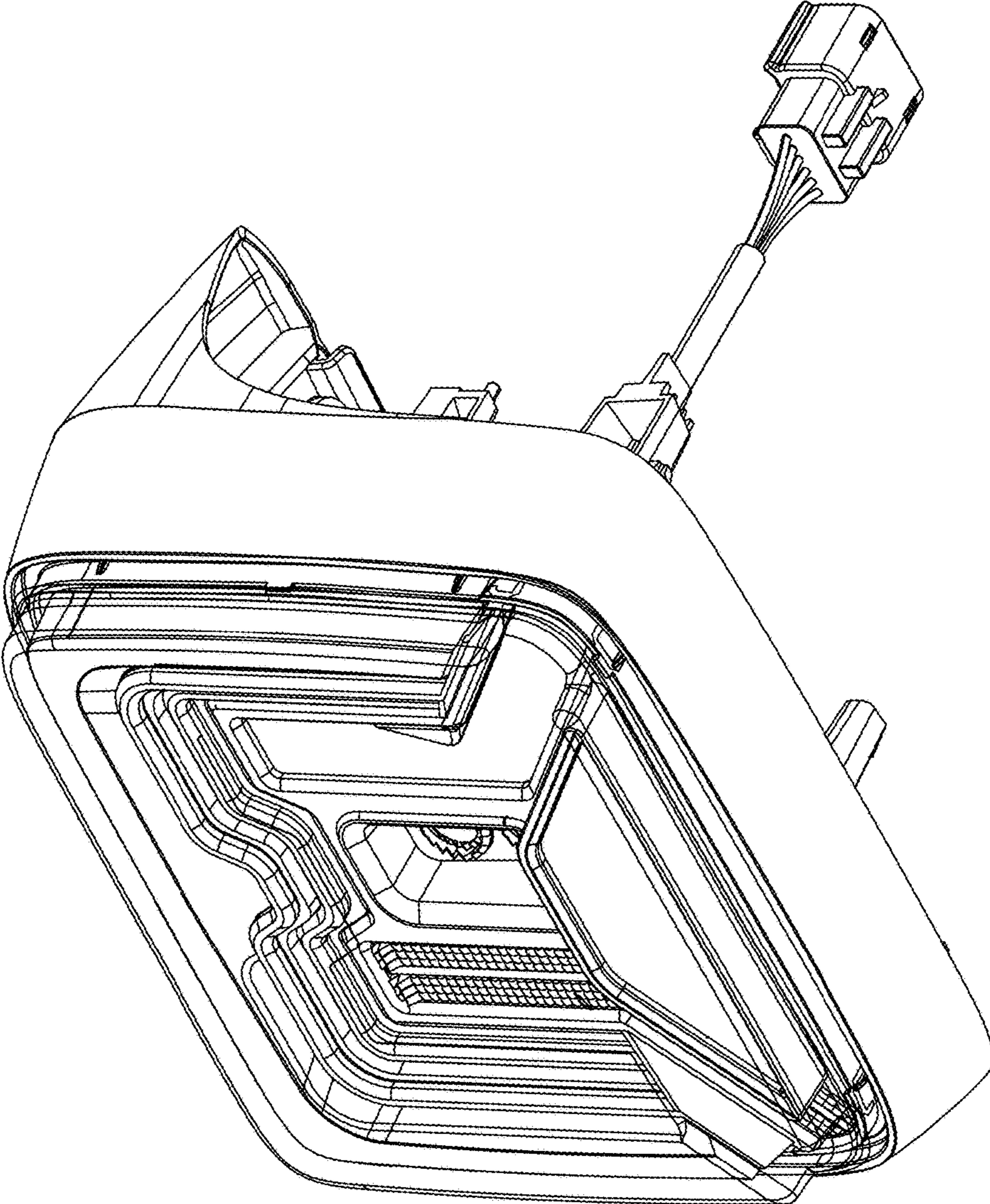


FIG. 1

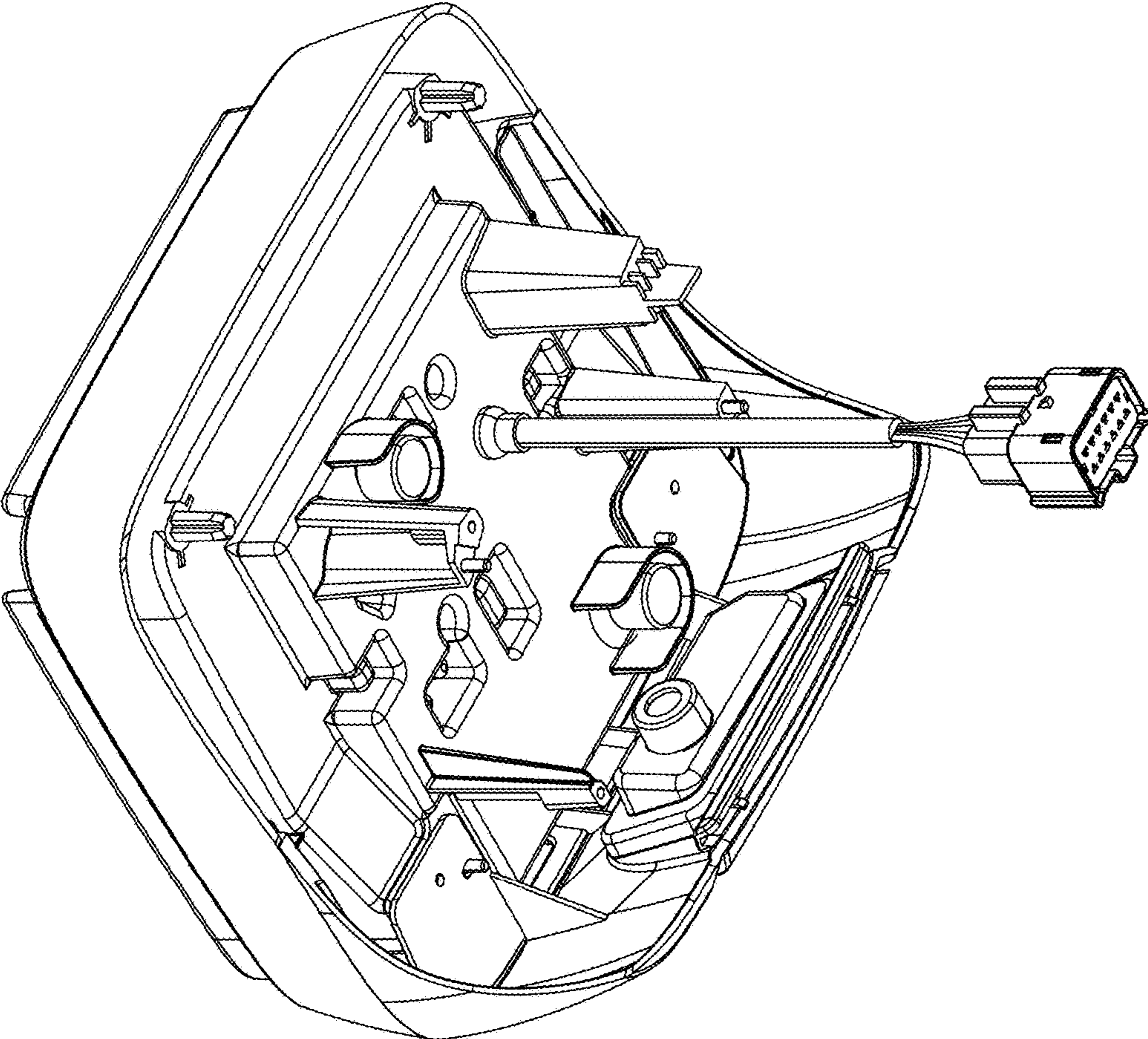


FIG. 2

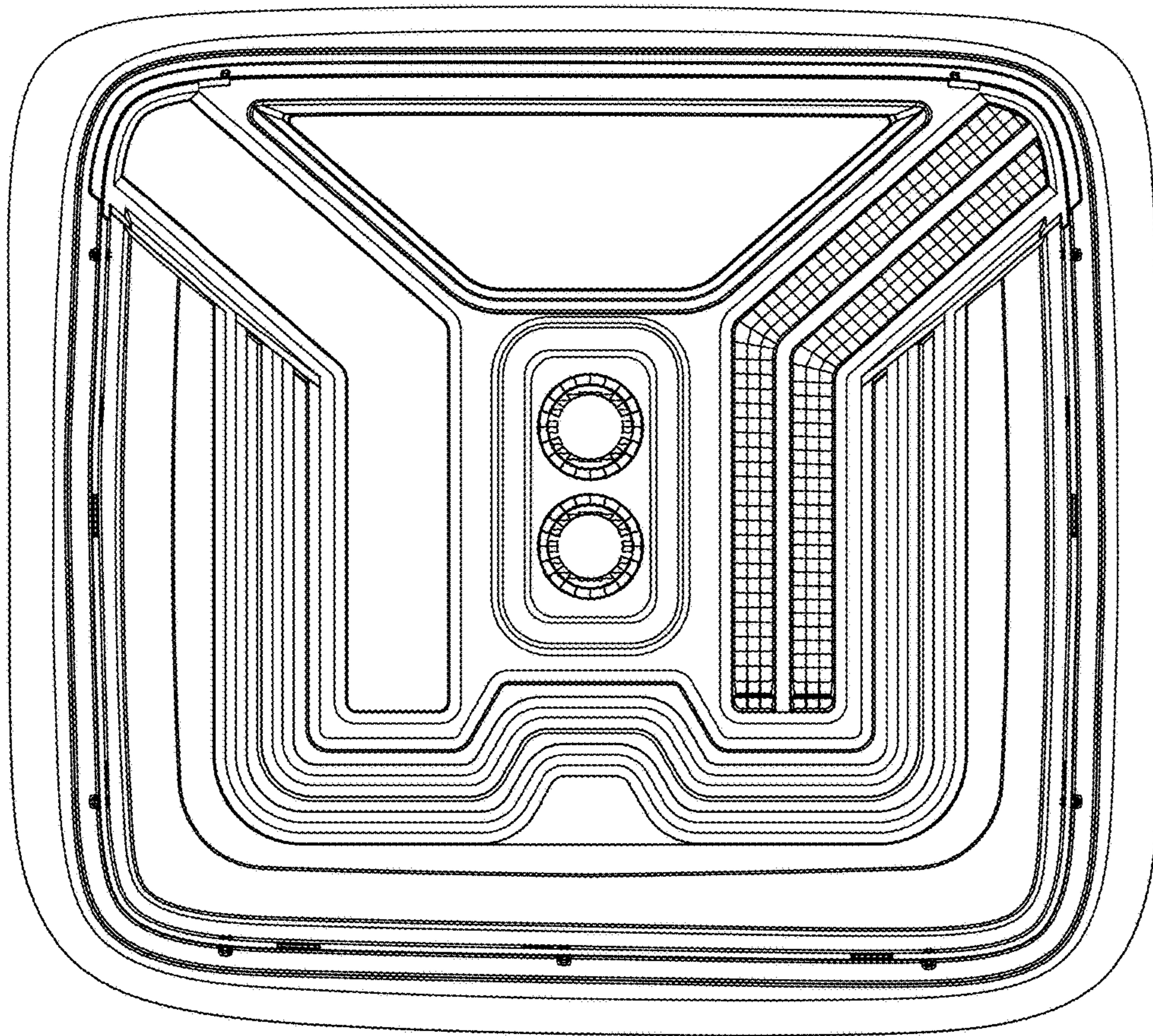


FIG. 3



FIG. 4

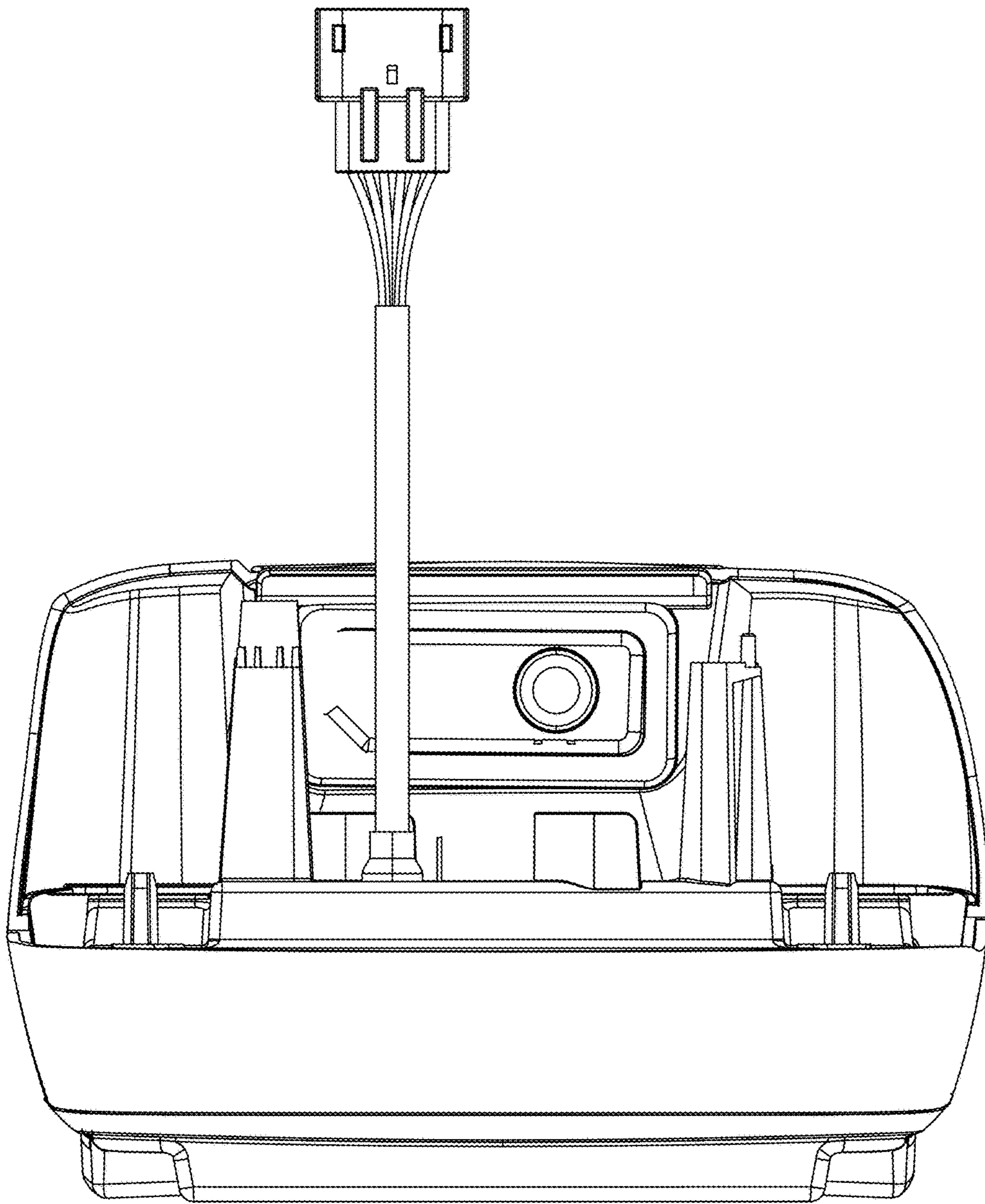


FIG. 5

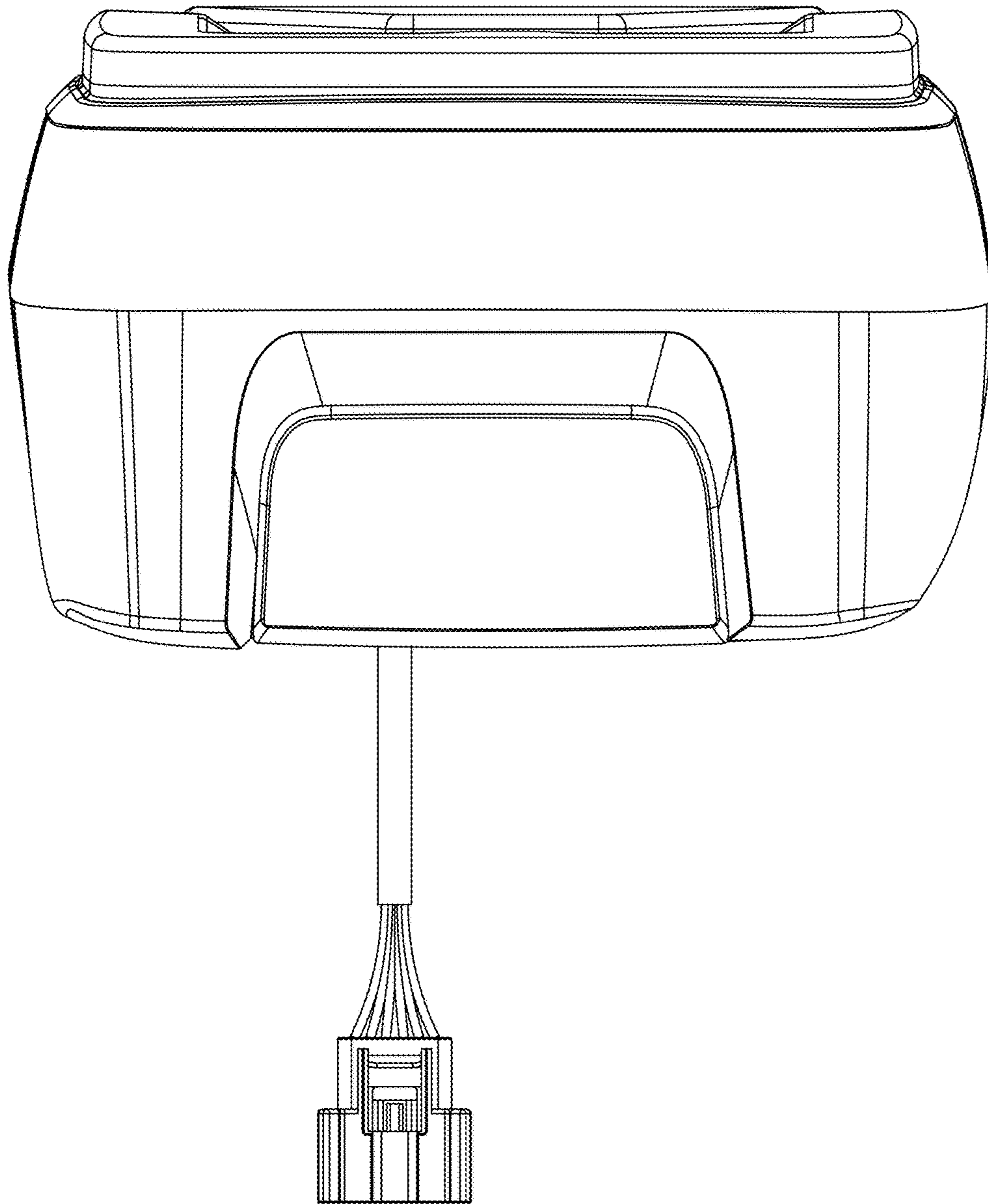
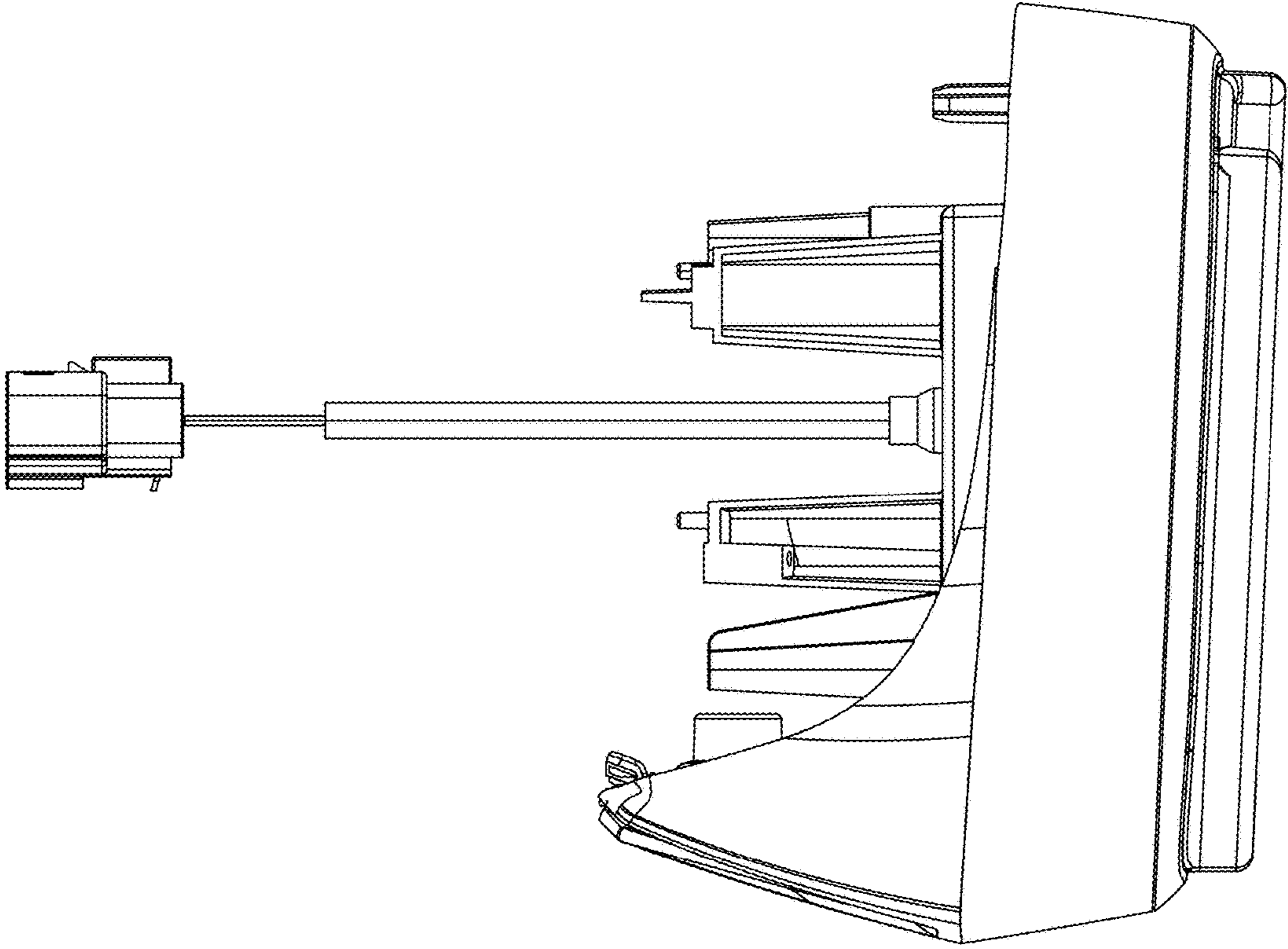


FIG. 6



F I G . 7

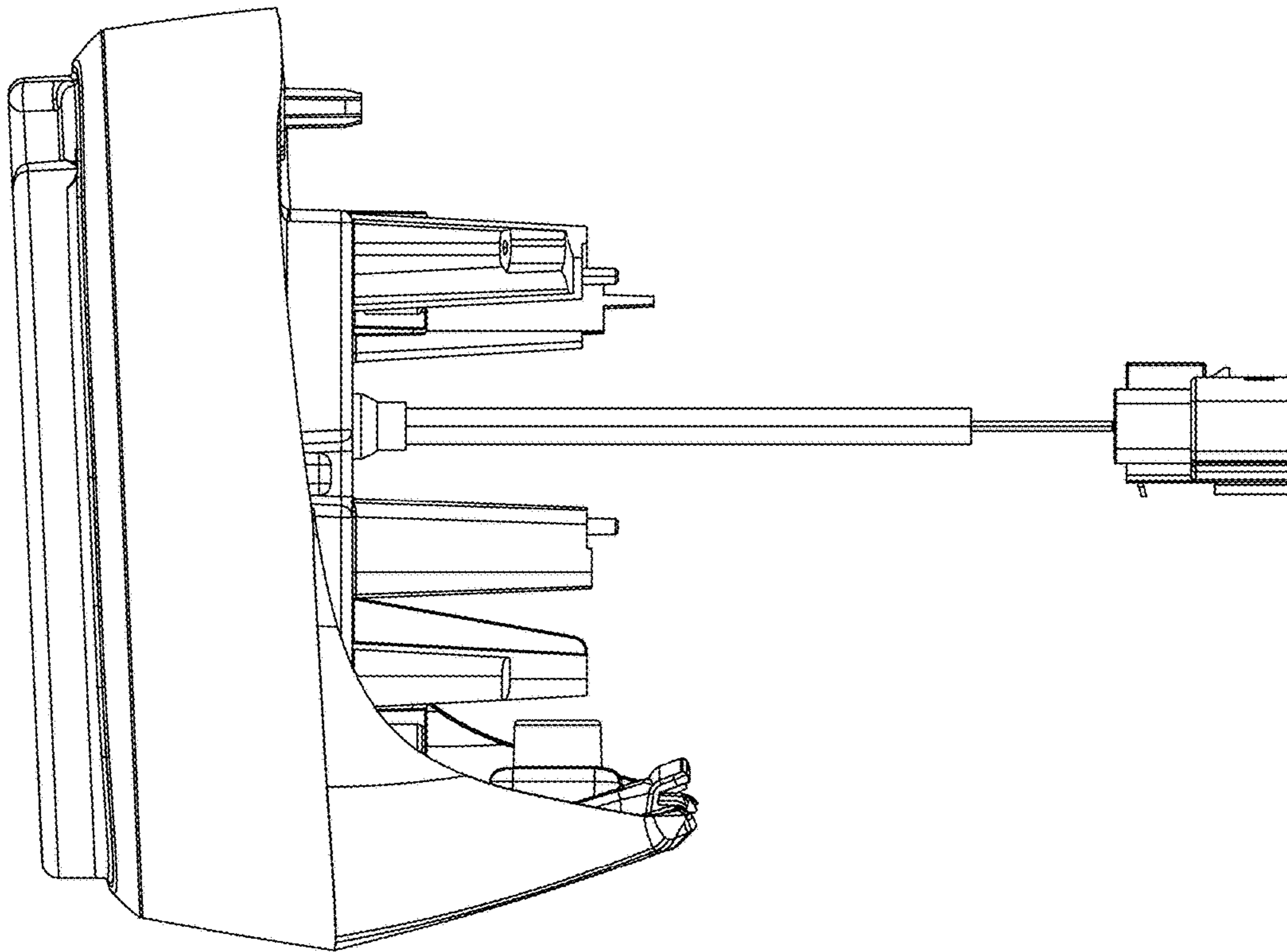


FIG. 8