



US00D895877S

(12) **United States Design Patent**
Kaiser et al.

(10) **Patent No.:** **US D895,877 S**

(45) **Date of Patent:** **** Sep. 8, 2020**

- (54) **LIGHT FIXTURE**
- (71) Applicant: **Erik A. Kaiser**, New York, NY (US)
- (72) Inventors: **Erik A. Kaiser**, Mendham, NJ (US);
Joshua David Kran, Astoria, NY (US)
- (73) Assignee: **Erik A. Kaiser**, New York, NY (US)
- (**) Term: **15 Years**
- (21) Appl. No.: **29/673,248**
- (22) Filed: **Dec. 13, 2018**
- (51) **LOC (12) Cl.** **26-05**
- (52) **U.S. Cl.**
USPC **D26/72**
- (58) **Field of Classification Search**
USPC D26/1, 24, 51-52, 61-63, 65, 74, 87, 90,
D26/93-94, 106-107, 113, 118; D6/300;
D16/135
CPC F21K 5/023; F21S 48/142; F21S 9/02;
F21V 33/006; F21V 17/02; F21V 1/00;
F21V 5/00; F21V 5/02; F21Y 2101/02
See application file for complete search history.

- D704,239 S * 5/2014 Faul G02B 5/3083
D16/130
- D707,454 S * 6/2014 Pitot D6/309
- D709,235 S * 7/2014 Chu D26/65
- D711,874 S * 8/2014 Cope D14/374
- D712,082 S * 8/2014 Harpenau D26/74
- D712,963 S * 9/2014 Fleet D19/113
- D719,747 S * 12/2014 Mischel, Jr. D6/309
- D736,449 S * 8/2015 Getty D26/110
- D753,755 S * 4/2016 Zhan D16/239
- D759,873 S * 6/2016 Saaranen D26/74
- 9,429,286 B2 * 8/2016 Luo F21S 8/061
- D770,076 S * 10/2016 Li D26/89
- D792,631 S * 7/2017 Sonneman D26/87
- D805,716 S * 12/2017 Capurso D99/17
- D827,180 S * 8/2018 Mou D26/72
- D828,944 S * 9/2018 Xie D26/74
- D835,328 S * 12/2018 Silver D26/90
- D837,863 S * 1/2019 Persson D16/203

(Continued)

Primary Examiner — Sheryl Lane
Assistant Examiner — Stacey L Hopkins
(74) *Attorney, Agent, or Firm* — Steven N. Fox, Esq.

(57) **CLAIM**

The ornamental design for a light fixture, as shown and described.

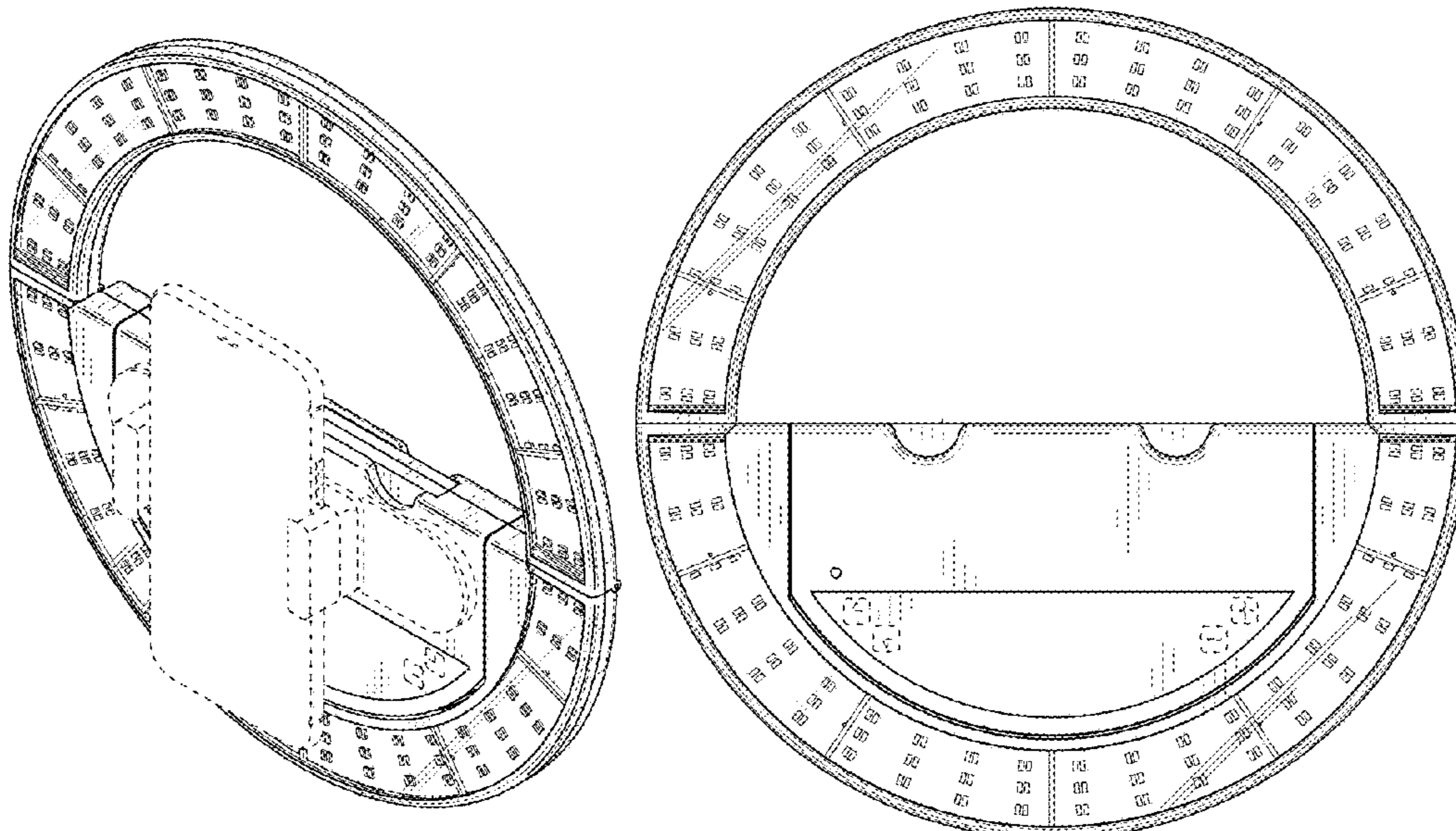
DESCRIPTION

FIG. 1 is a front perspective view of a light fixture according to the present invention;
FIG. 2 is a rear perspective view of the light fixture;
FIG. 3 is a front view thereof;
FIG. 4 is a right side view thereof;
FIG. 5 is a rear view thereof;
FIG. 6 is a left side view thereof;
FIG. 7 is a top view thereof; and,
FIG. 8 is a bottom view thereof.
Throughout the drawings the broken lines depict portions of the light fixture that form no part of the claimed design.

1 Claim, 5 Drawing Sheets

(56) **References Cited**
U.S. PATENT DOCUMENTS

- D258,017 S * 1/1981 Steinkamp D6/312
- D267,218 S * 12/1982 Thompson D6/309
- D505,219 S * 5/2005 Jacquelin D26/51
- D526,340 S * 8/2006 Hodgson D16/135
- D581,089 S * 11/2008 St-Hilaire D26/118
- D634,585 S * 3/2011 Vaehsen D7/554.2
- D647,227 S * 10/2011 Kaule D26/24
- D661,419 S * 6/2012 Huang D26/62
- D681,867 S * 5/2013 Wegger D26/124
- D688,289 S * 8/2013 Hodgson D16/135
- D690,457 S * 9/2013 Lu D26/118
- D701,507 S * 3/2014 Cope D14/374
- D702,279 S * 4/2014 Zhan D16/239



(56)

References Cited

U.S. PATENT DOCUMENTS

D843,430	S	*	3/2019	Hodgson	D16/135
D848,158	S	*	5/2019	Yang	D6/309
D849,140	S	*	5/2019	Zenoff	D20/19
D854,227	S	*	7/2019	Yu	D26/106
D855,242	S	*	7/2019	Chen	D26/106
D860,485	S	*	9/2019	Yu	D26/24
D871,648	S	*	12/2019	Tong	D26/107
D872,348	S	*	1/2020	Liu	D26/106
D873,328	S	*	1/2020	Shen	D16/239
D877,392	S	*	3/2020	Yu	D26/79
D879,358	S	*	3/2020	Du	D26/106
D880,045	S	*	3/2020	Clarkson	D26/79
D880,048	S	*	3/2020	Zhu	D26/106
D882,843	S	*	4/2020	Kaiser	D26/60
D885,769	S	*	6/2020	Wang	D6/309
D886,360	S	*	6/2020	Xu	D26/106
D887,052	S	*	6/2020	Xu	D26/39
2011/0080727	A1	*	4/2011	Maxik	F21V 29/773
						362/235
2020/0116347	A1	*	4/2020	Frydenger	F21V 33/004

* cited by examiner

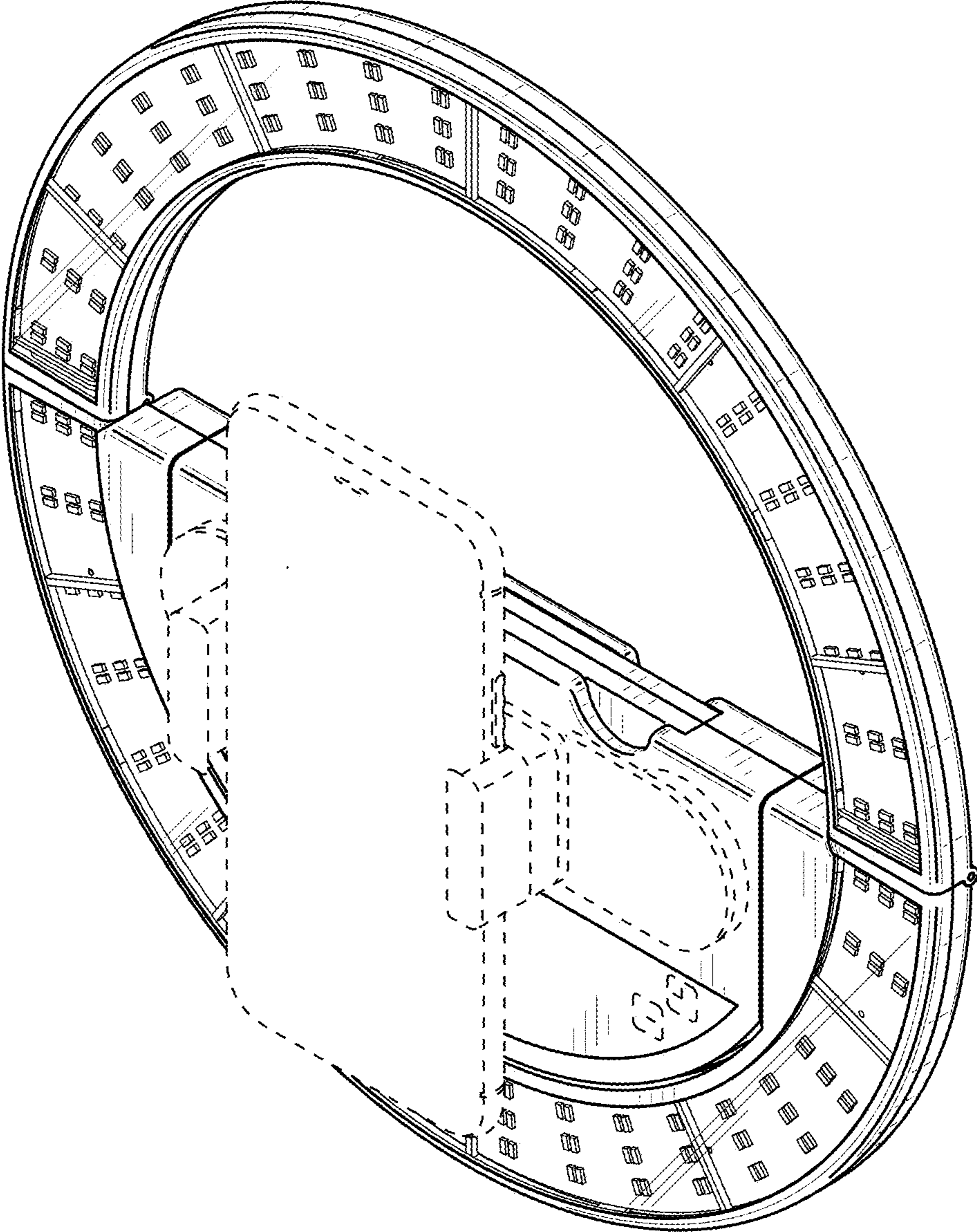


FIG. 1

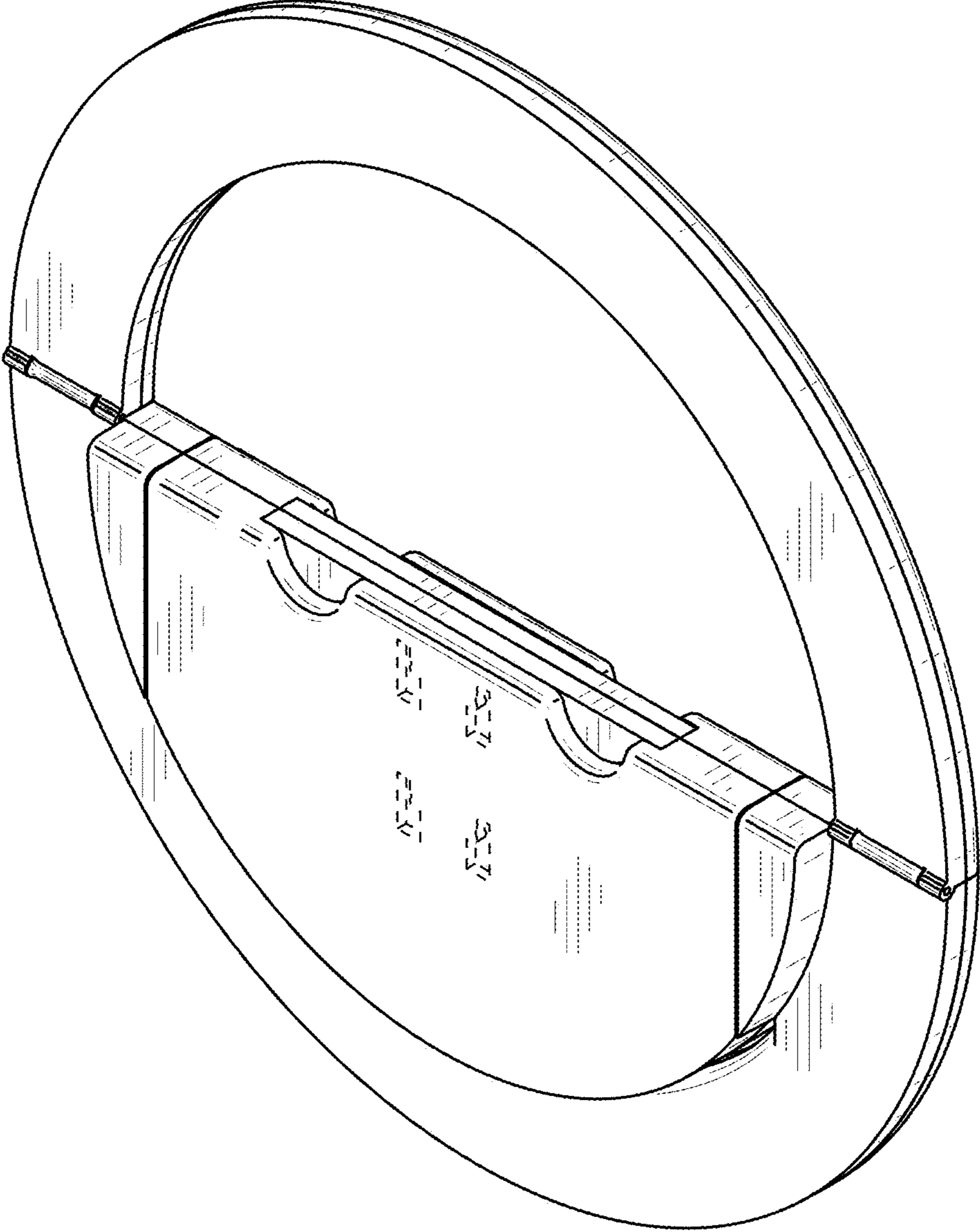


FIG. 2

FIG. 4

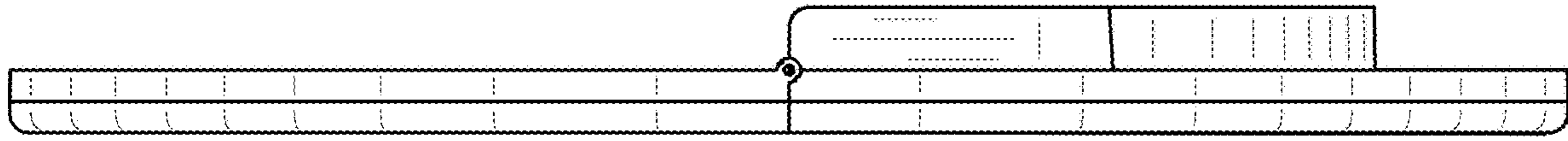
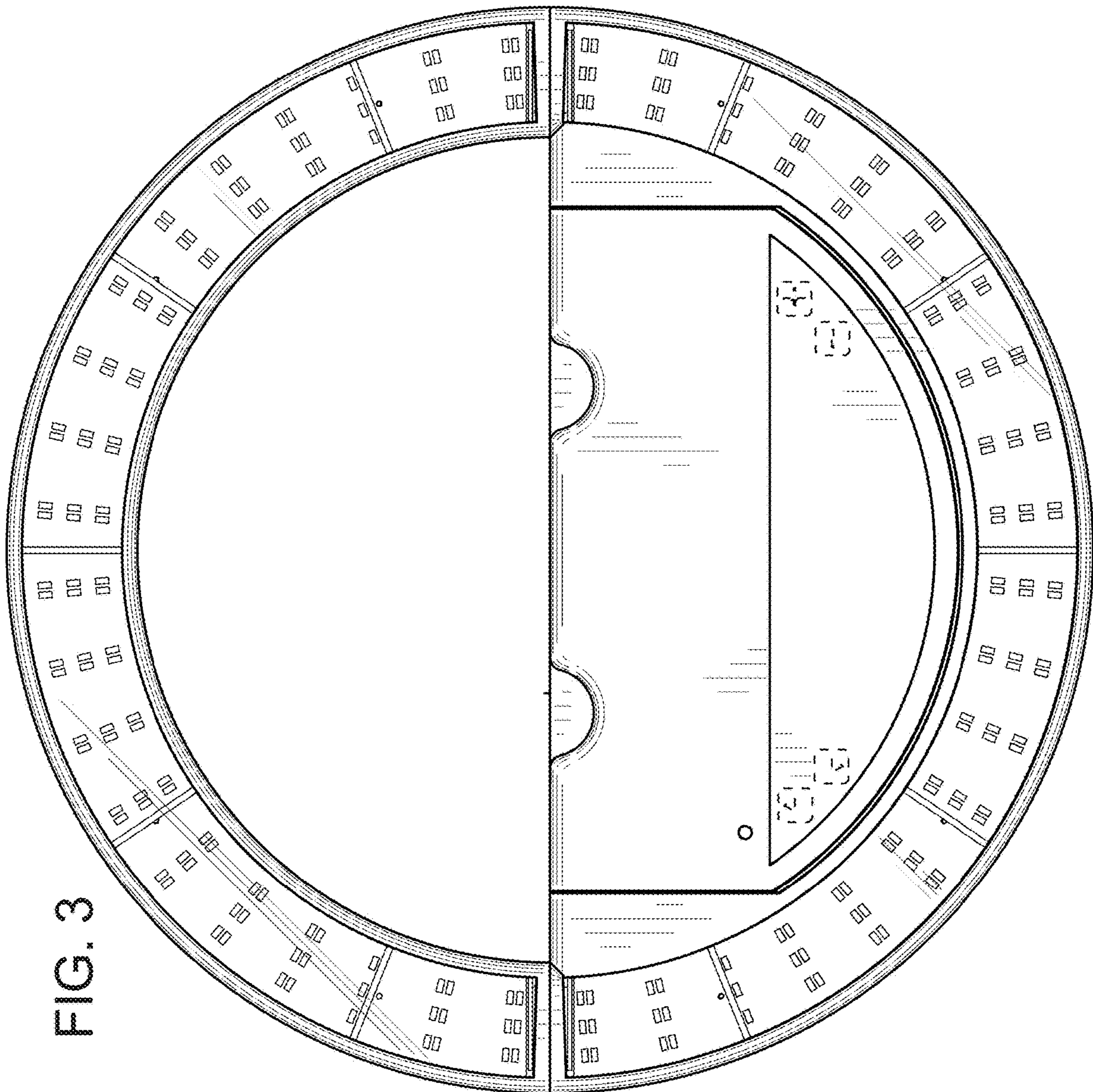


FIG. 3



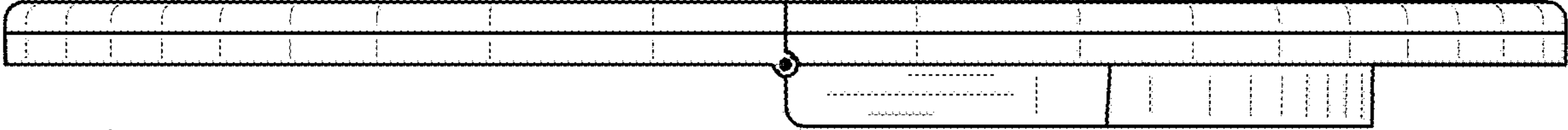


FIG. 6

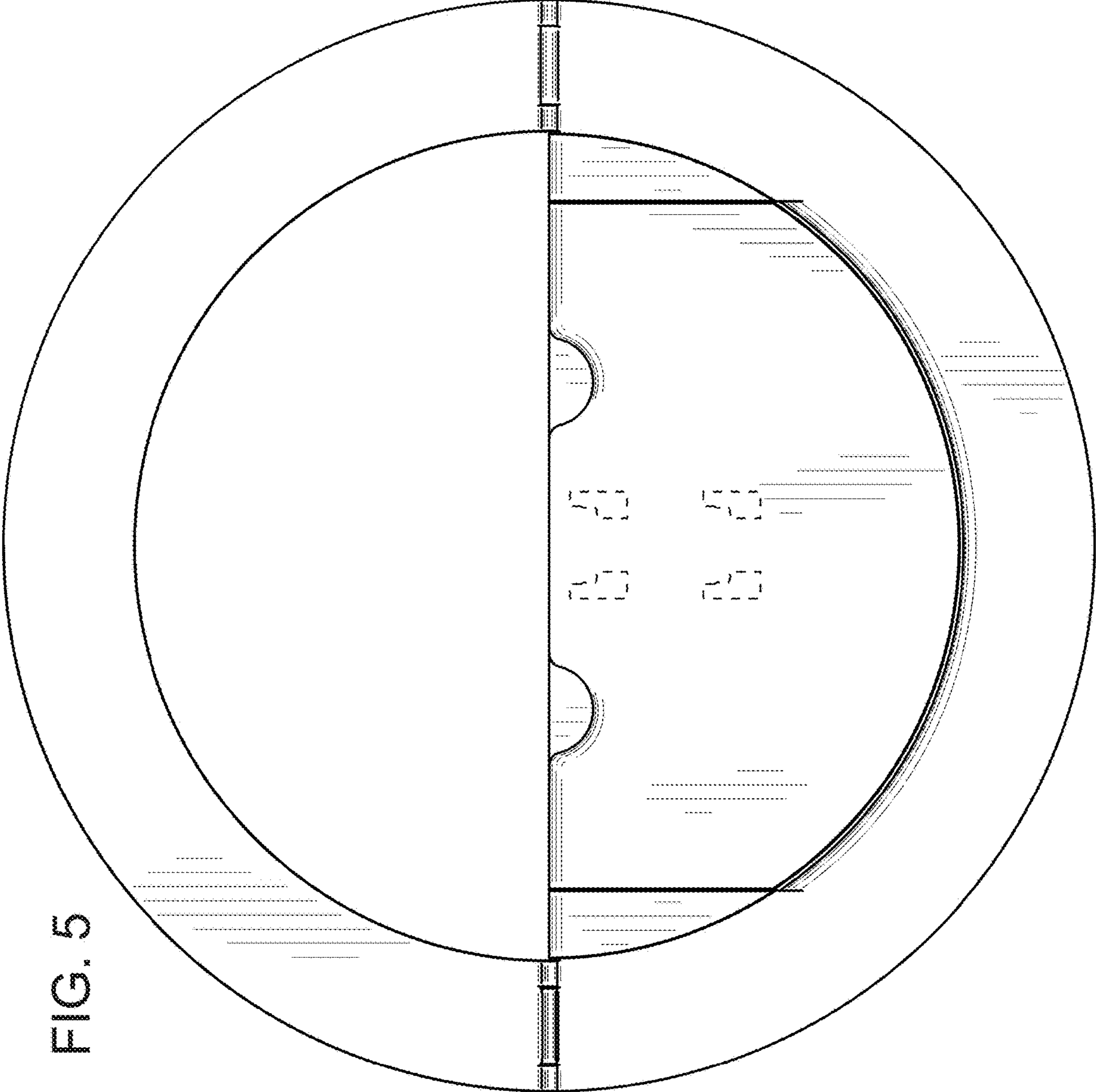


FIG. 5

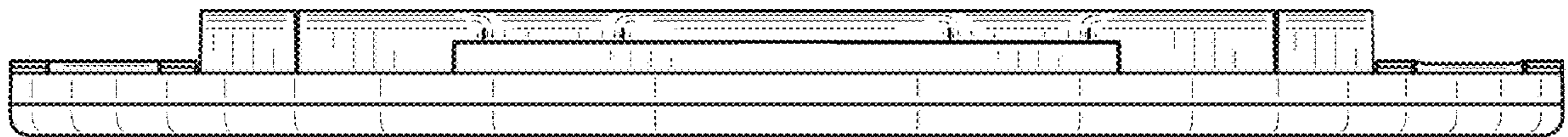


FIG. 7

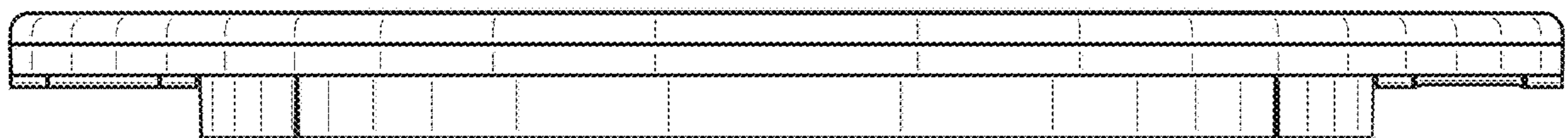


FIG. 8