



US00D895875S

(12) **United States Design Patent**  
**Wang**

(10) **Patent No.:** **US D895,875 S**

(45) **Date of Patent:** **\*\* Sep. 8, 2020**

- (54) **SOLAR POLE TOP LAMP**
- (71) Applicant: **Jack Wang**, Guangdong (CN)
- (72) Inventor: **Jack Wang**, Guangdong (CN)
- (73) Assignee: **Shenzhen Jiayang Industrial Limited**,  
Shenzhen (CN)
- (\*\*) Term: **15 Years**
- (21) Appl. No.: **29/685,835**
- (22) Filed: **Apr. 1, 2019**
- (51) **LOC (12) Cl.** ..... **26-05**
- (52) **U.S. Cl.**  
USPC ..... **D26/67; D26/70**
- (58) **Field of Classification Search**  
USPC ..... D26/67-70, 80  
CPC .. F21S 8/081; F21S 8/088; F21S 9/035; F21S  
9/037; F21S 6/005; F21S 6/007; F21S  
13/10; F21V 21/088; F21V 21/116; F21W  
2111/023; F21W 2131/109  
See application file for complete search history.

- D752,798 S \* 3/2016 Righetto ..... D26/67
- D800,364 S \* 10/2017 Lee ..... D26/67
- D836,811 S \* 12/2018 Shundong ..... D26/67
- D875,986 S \* 2/2020 Chen ..... D26/67
- 2017/0290274 A1\* 10/2017 Sulejmani ..... F21V 21/088
- 2019/0360650 A1\* 11/2019 Toner ..... G09F 13/00

**OTHER PUBLICATIONS**

Telepole Manufacturing Inc Updated Solar Flagpole Light available at amazon.com as early as Jun. 29, 2019. (Year: 2019).\*

\* cited by examiner

*Primary Examiner* — Clare E Heflin

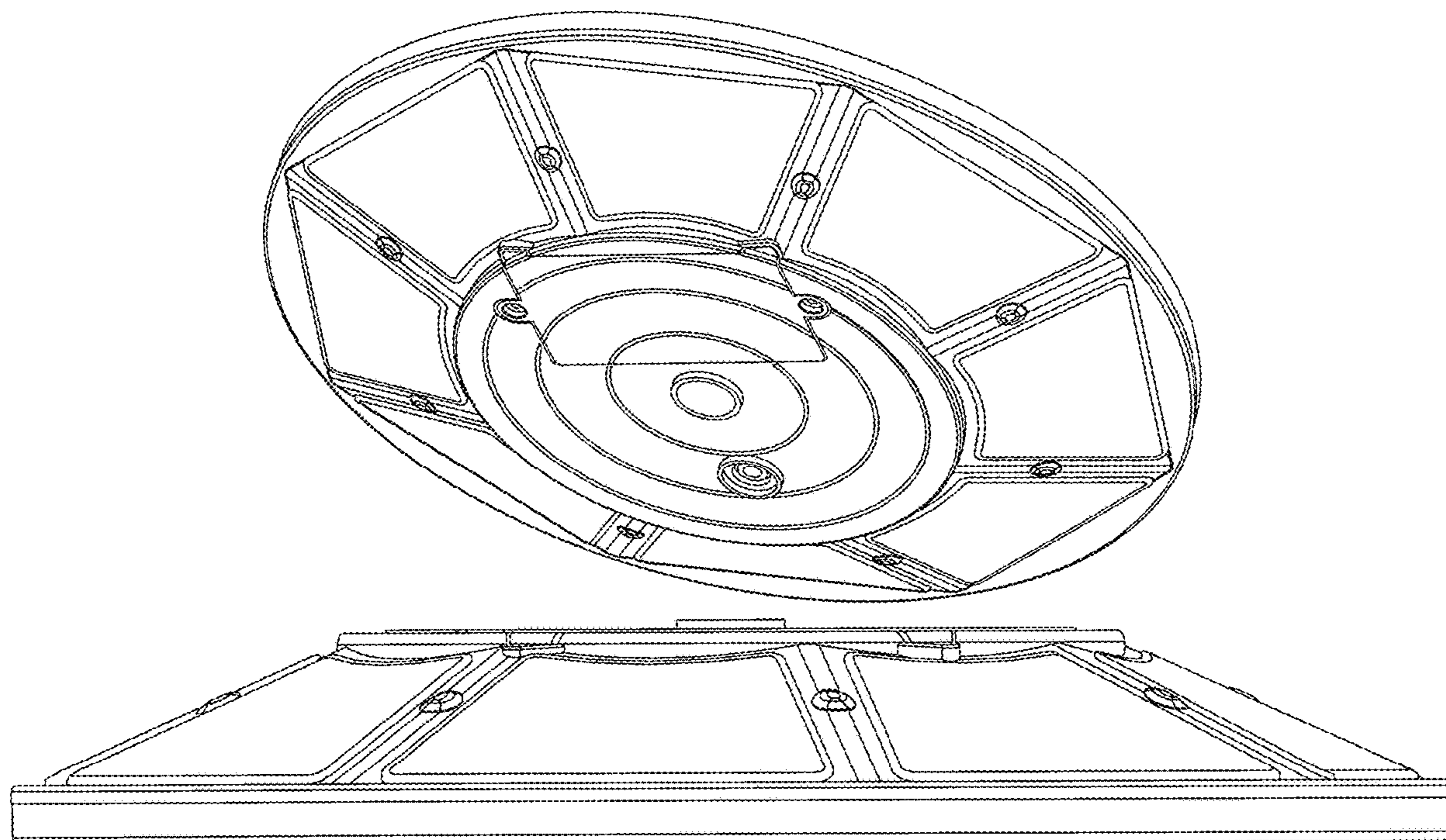
(57) **CLAIM**

The ornamental design for a solar pole top lamp, as shown and described.

**DESCRIPTION**

FIG. 1 is a perspective view of a solar pole top lamp showing my new design;  
 FIG. 2 is a front elevational view thereof;  
 FIG. 3 is a rear elevational view thereof;  
 FIG. 4 is a left side view thereof;  
 FIG. 5 is a right side view thereof;  
 FIG. 6 is a top plan view thereof; and,  
 FIG. 7 is a bottom plan view thereof.  
 The broken lines in the drawings illustrate portions of the solar pole top lamp that form no part of the claimed design.

**1 Claim, 5 Drawing Sheets**



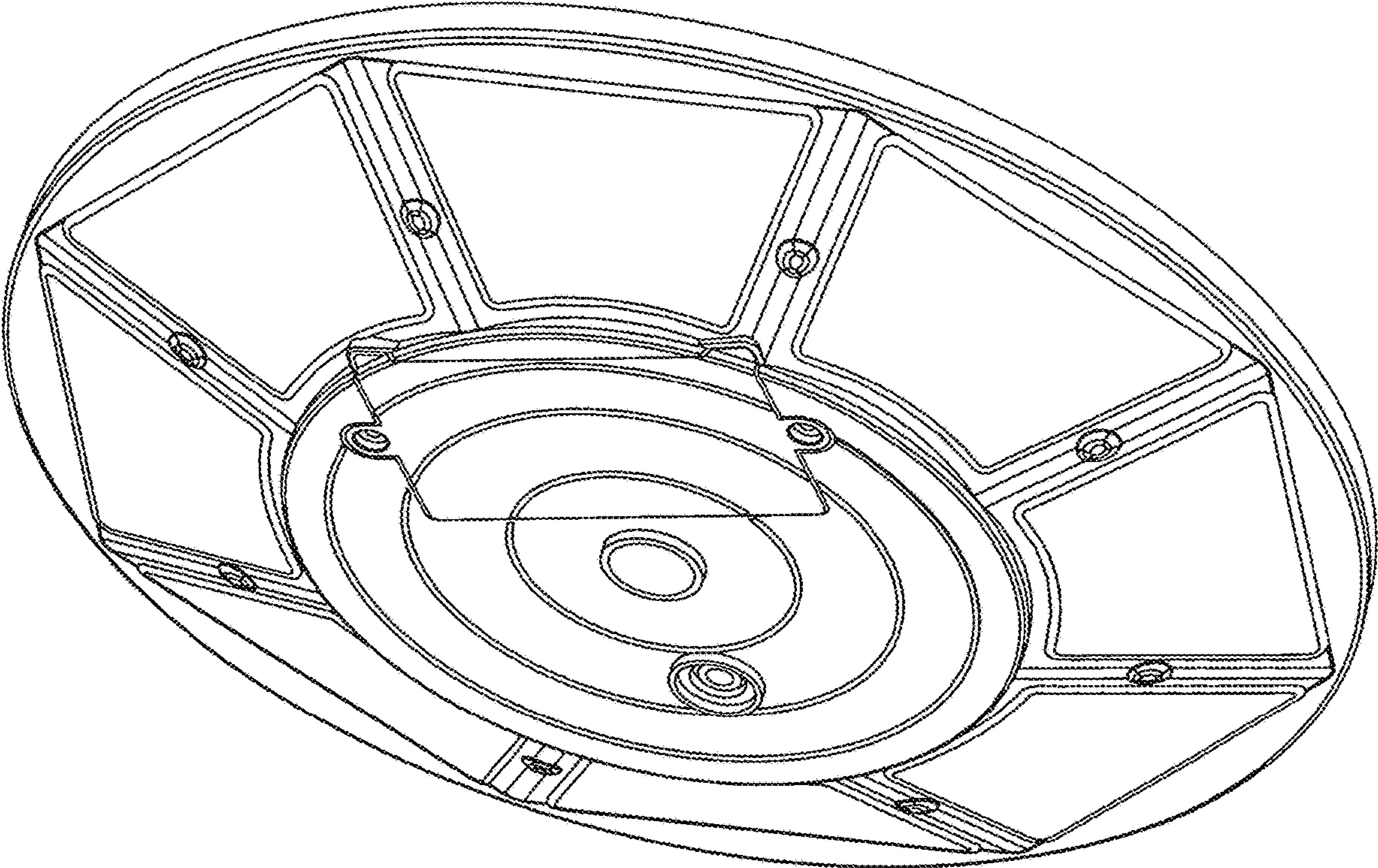


FIG.1

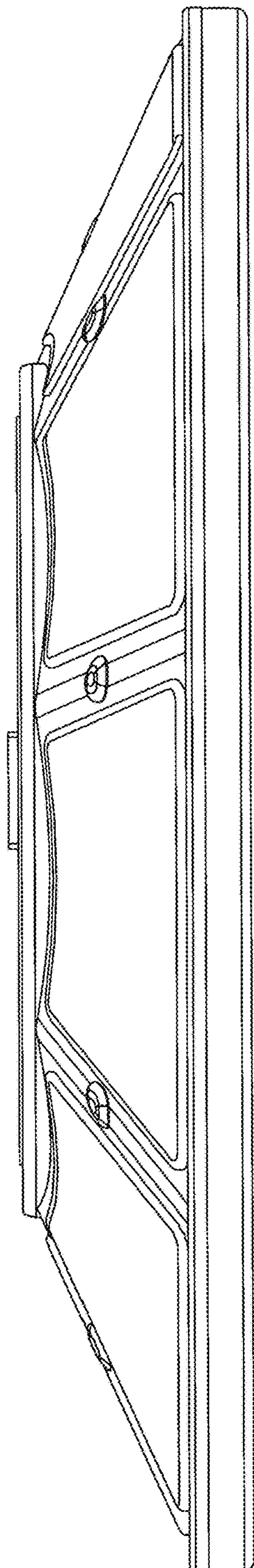


FIG. 2

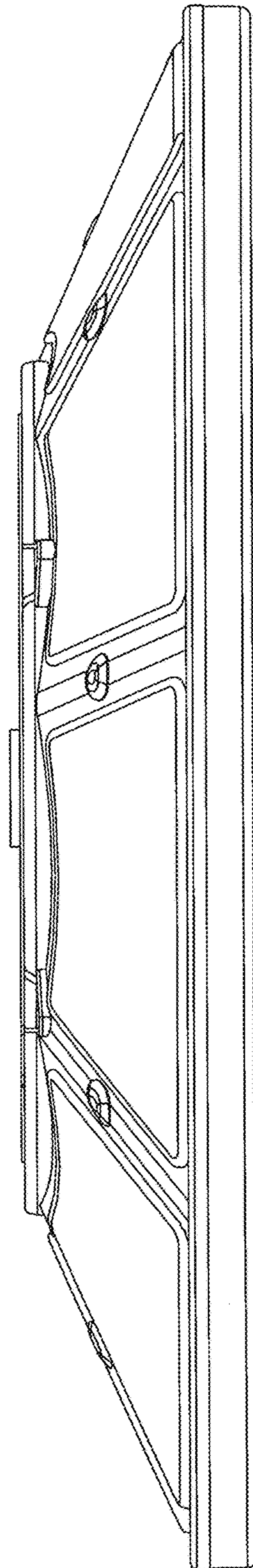


FIG. 3

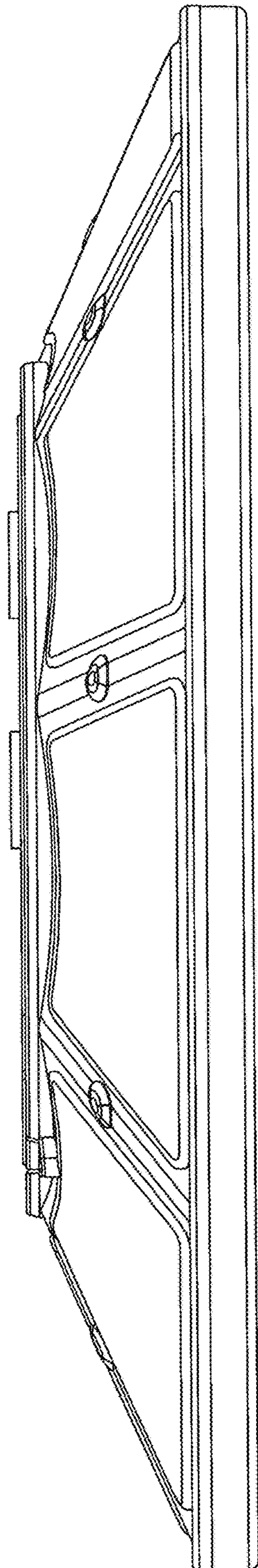


FIG. 4

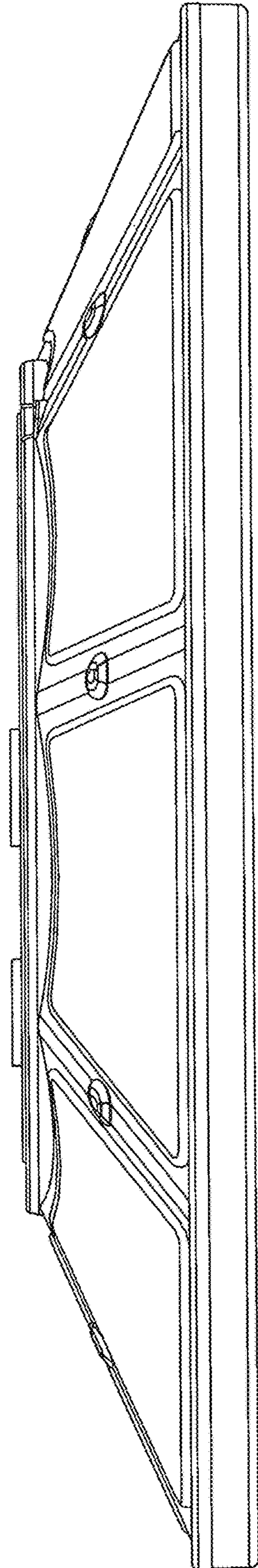


FIG. 5

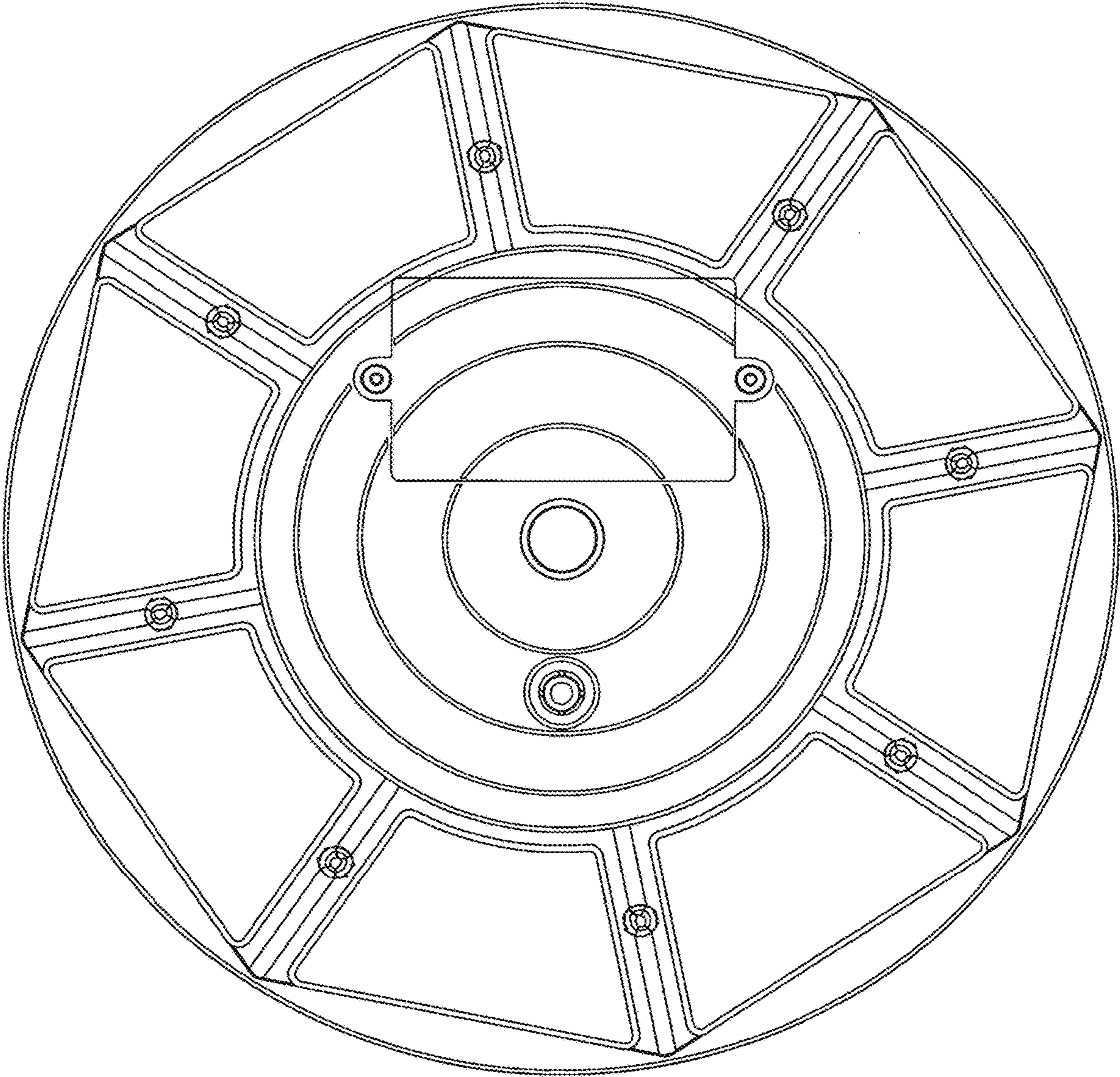


FIG.6

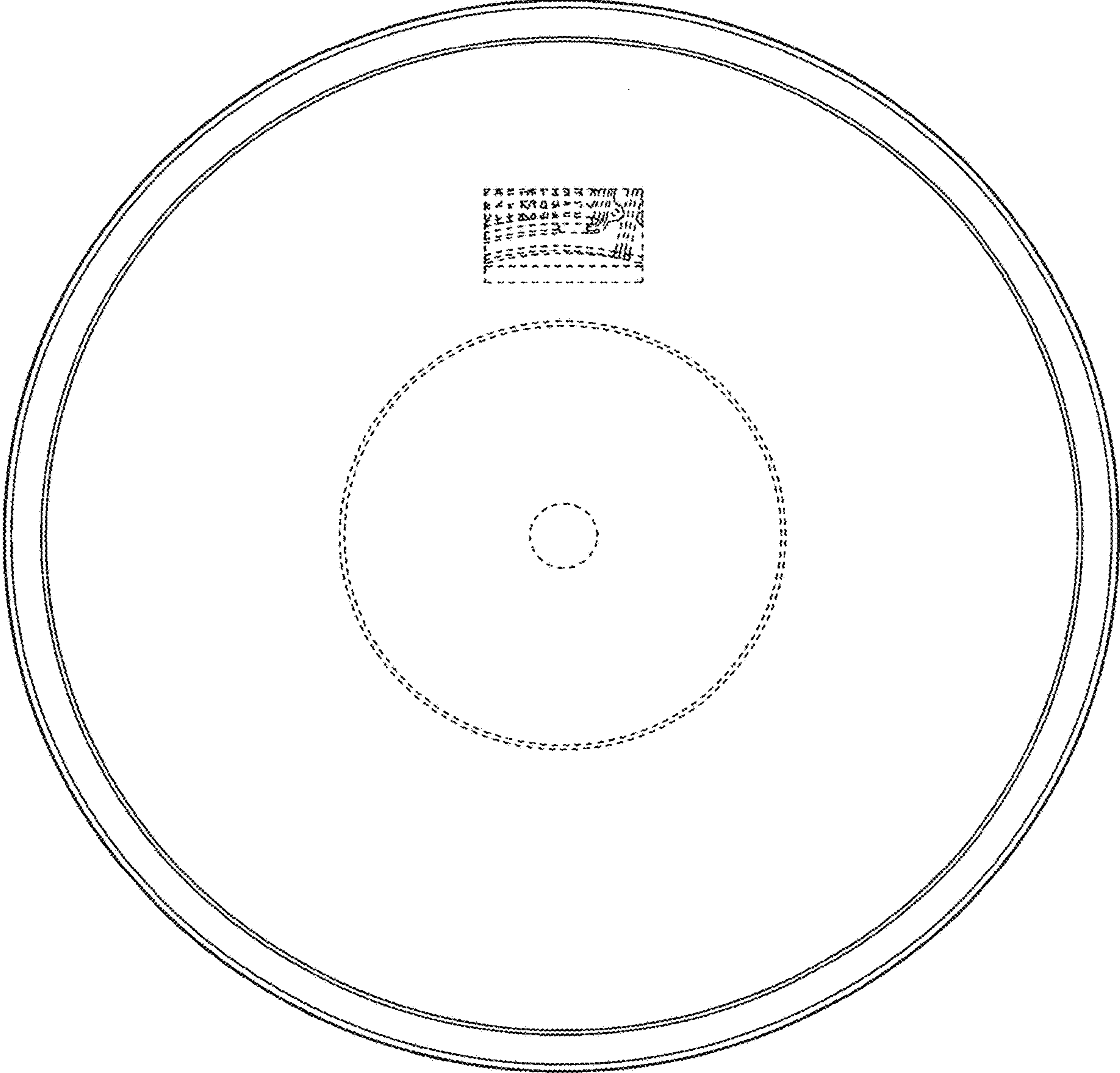


FIG.7