



US00D895874S

(12) **United States Design Patent**  
**Tong**

(10) **Patent No.:** **US D895,874 S**

(45) **Date of Patent:** **\*\* Sep. 8, 2020**

(54) **DESKTOP LAMP**

(71) Applicant: **Shenzhen Highstar Electrical Co., Ltd.**, Shenzhen, Guangdong (CN)

(72) Inventor: **Guoming Tong**, Guangdong (CN)

(73) Assignee: **Shenzhen Highstar Electrical Co., Ltd.**, Shenzhen (CN)

(\*\*) Term: **15 Years**

(21) Appl. No.: **29/682,022**

(22) Filed: **Mar. 1, 2019**

(30) **Foreign Application Priority Data**

Jan. 21, 2019 (CN) ..... 2019 3 0030911

(51) **LOC (12) Cl.** ..... **26-03**

(52) **U.S. Cl.**  
USPC ..... **D26/63**

(58) **Field of Classification Search**  
USPC ..... D26/1, 24, 61, 63, 65, 85, 92  
CPC ..... F21V 21/14; F21V 15/01; F21V 14/02;  
F21V 21/30; F21V 21/00; F21V 14/00;  
F21S 8/00; F21S 8/003; F21S 8/043;  
F21S 6/003; F21Y 2105/001  
See application file for complete search history.

(56) **References Cited**

**U.S. PATENT DOCUMENTS**

7,396,140 B2 \* 7/2008 Cai ..... F21S 6/003  
362/167  
D665,938 S \* 8/2012 Kim ..... D26/63

D800,937 S \* 10/2017 Li ..... D26/63  
D868,328 S \* 11/2019 Chang ..... D26/63  
D873,463 S \* 1/2020 Wang ..... D26/65  
D876,699 S \* 2/2020 Tang ..... D26/65

\* cited by examiner

*Primary Examiner* — Brian N. Vinson

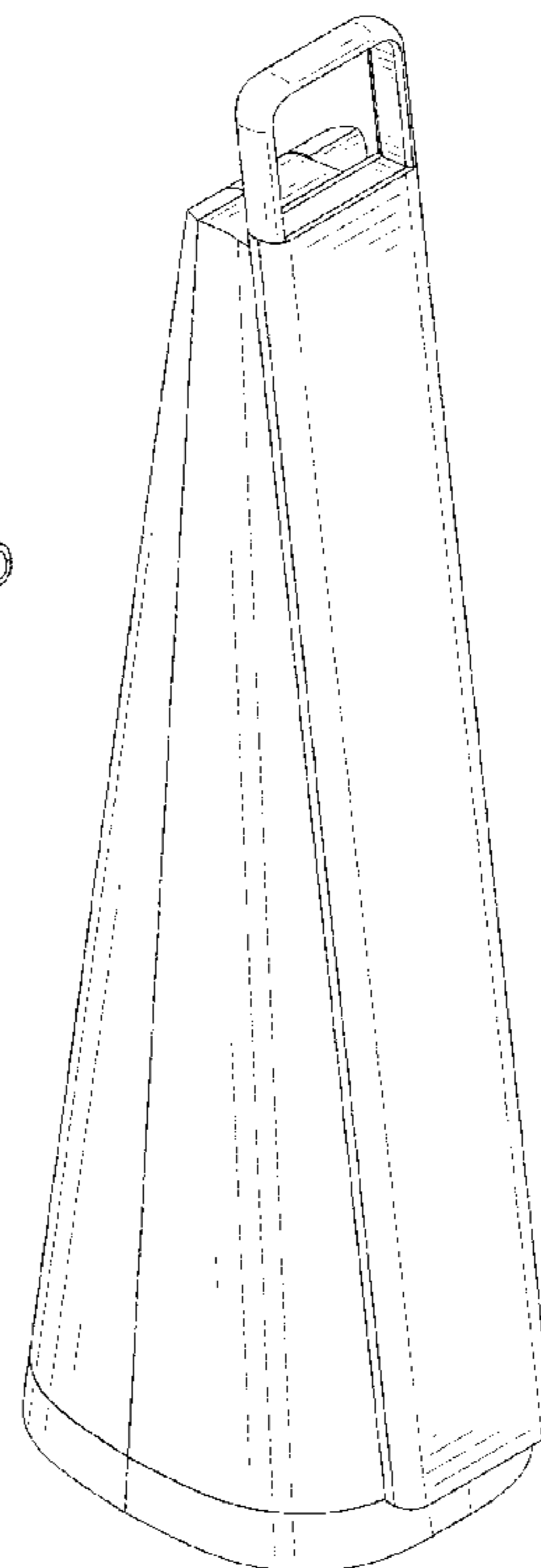
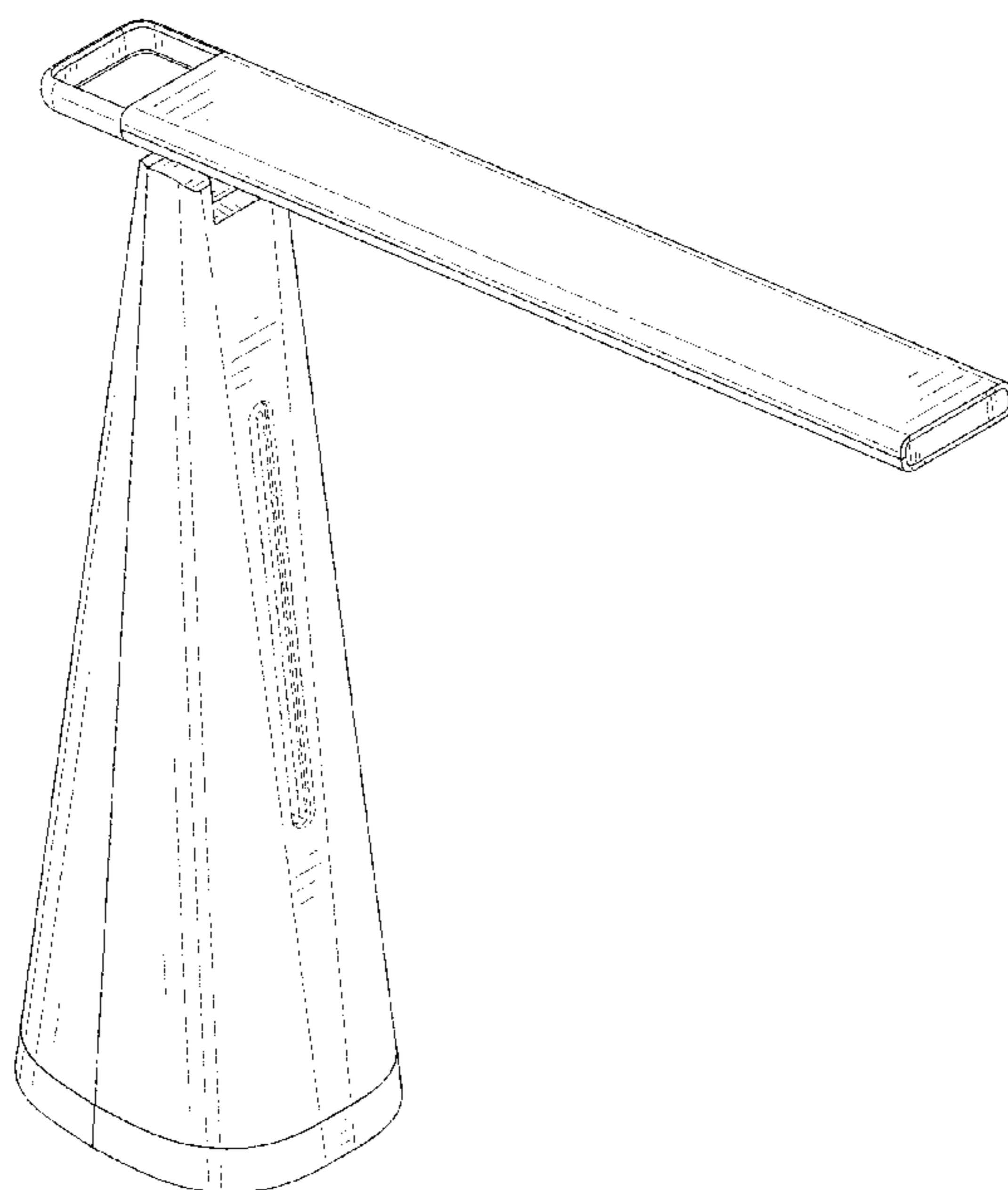
(57) **CLAIM**

The ornamental design for a desktop lamp, as shown and described.

**DESCRIPTION**

FIG. 1 is a top, front and left side perspective view of a desktop lamp showing my new design;  
FIG. 2 is a top, rear and right side perspective view thereof;  
FIG. 3 is a front elevational view thereof;  
FIG. 4 is a rear elevational view thereof;  
FIG. 5 is a left side view thereof;  
FIG. 6 is a right side view thereof;  
FIG. 7 is a top plan view thereof;  
FIG. 8 is a bottom plan view thereof; and,  
FIG. 9 is a top, front and left side perspective view showing the desktop lamp in a folded state.  
The broken lines in the drawings illustrate portions of the desktop lamp which form no part of the claimed design.

**1 Claim, 9 Drawing Sheets**



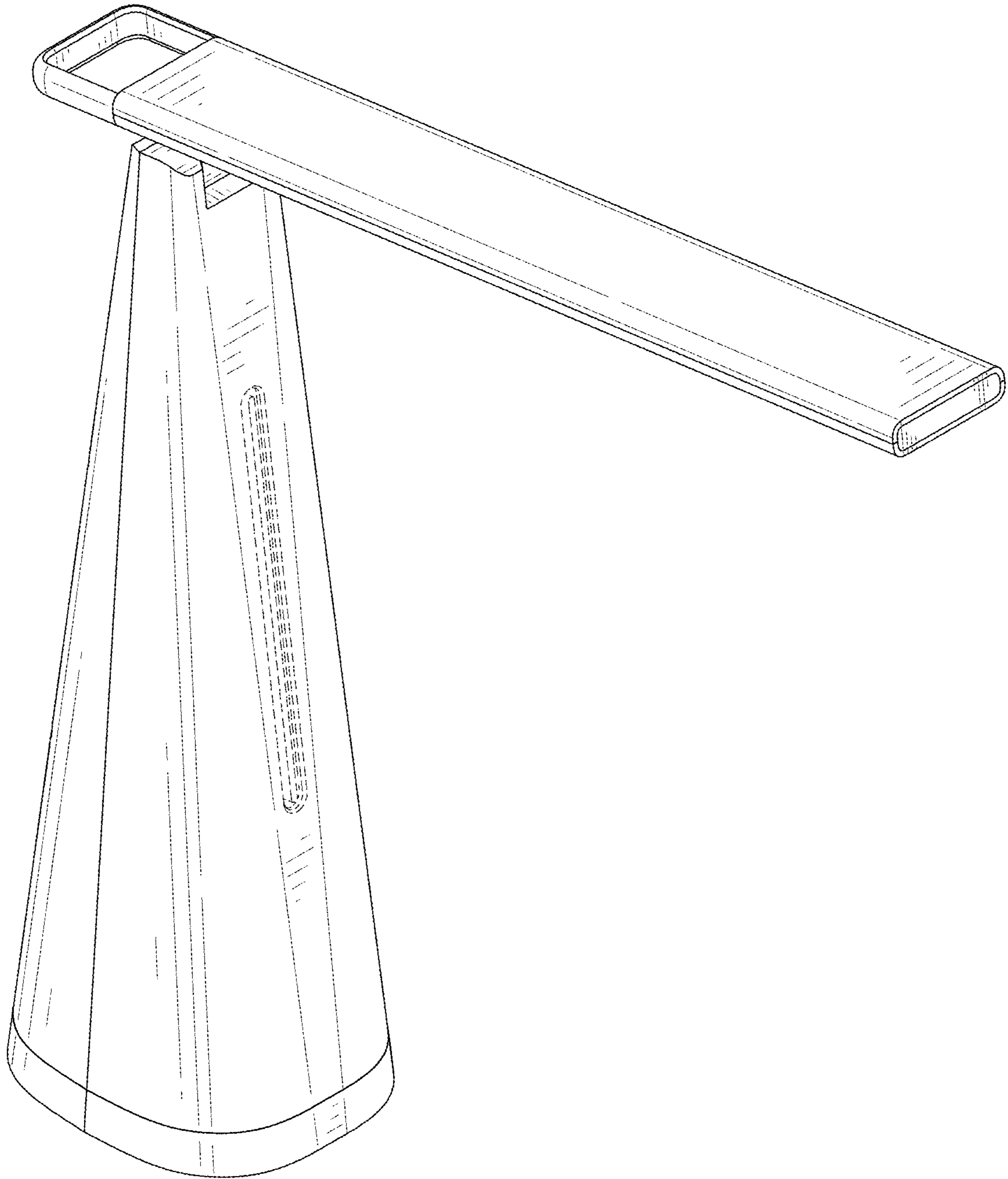


FIG. 1

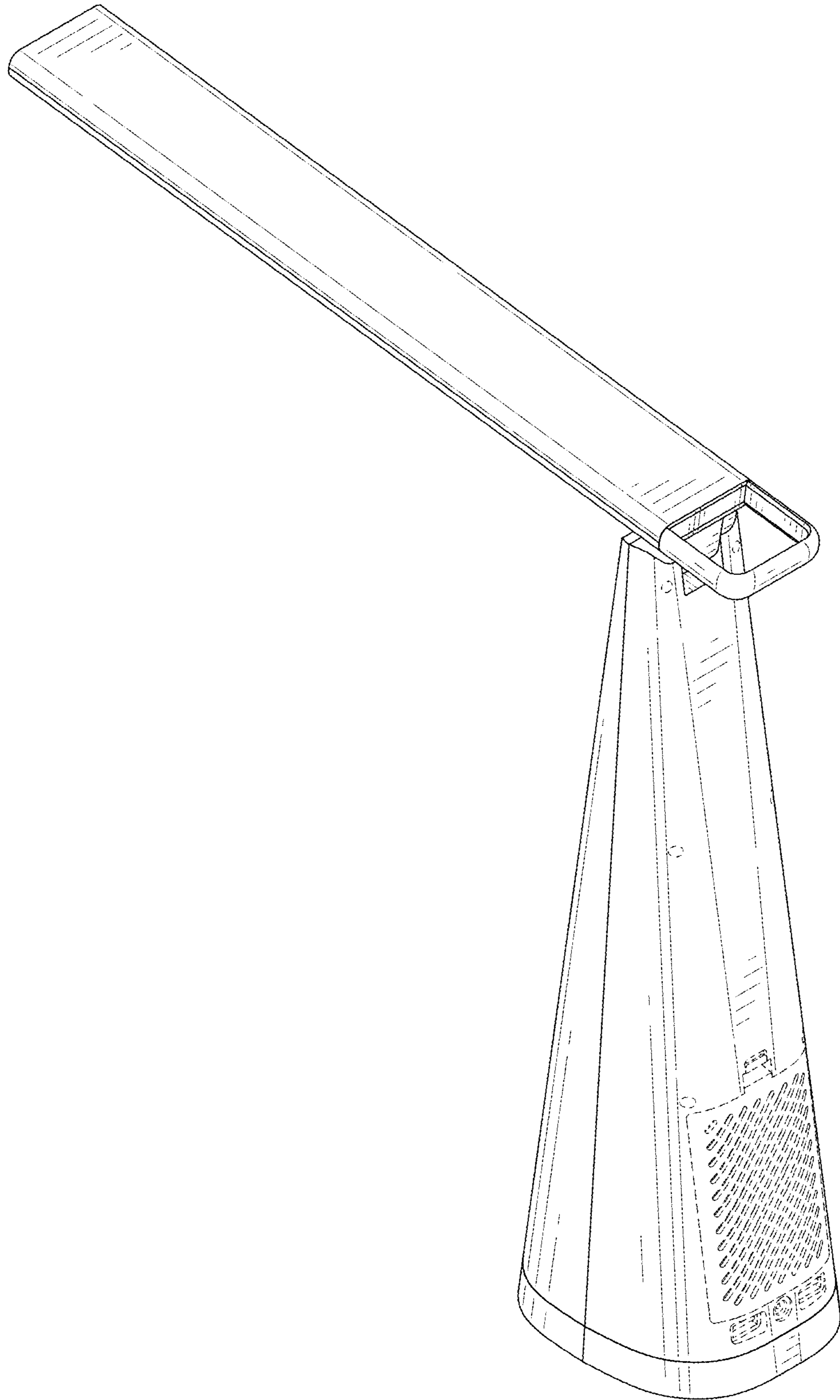


FIG. 2

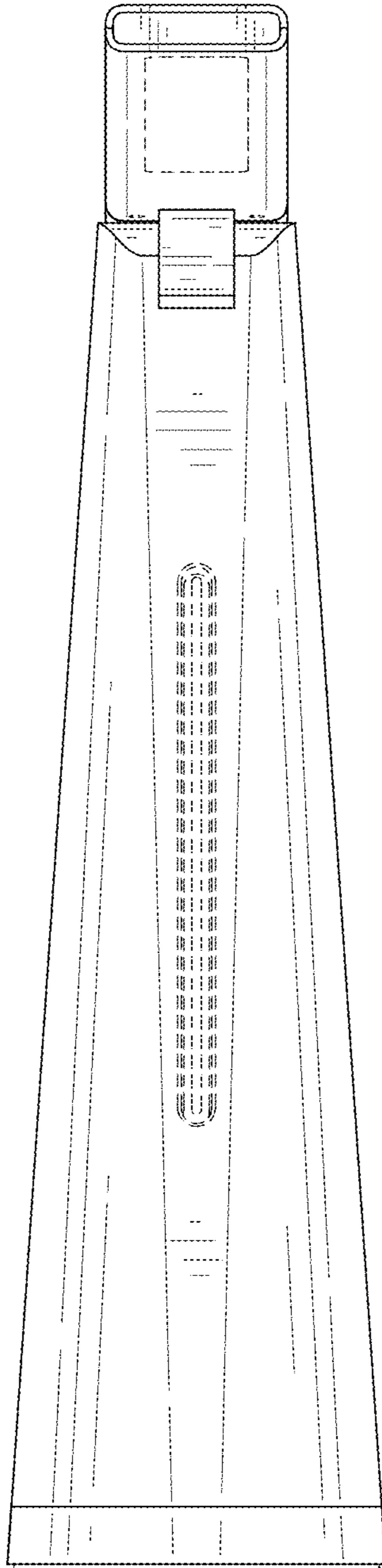


FIG. 3

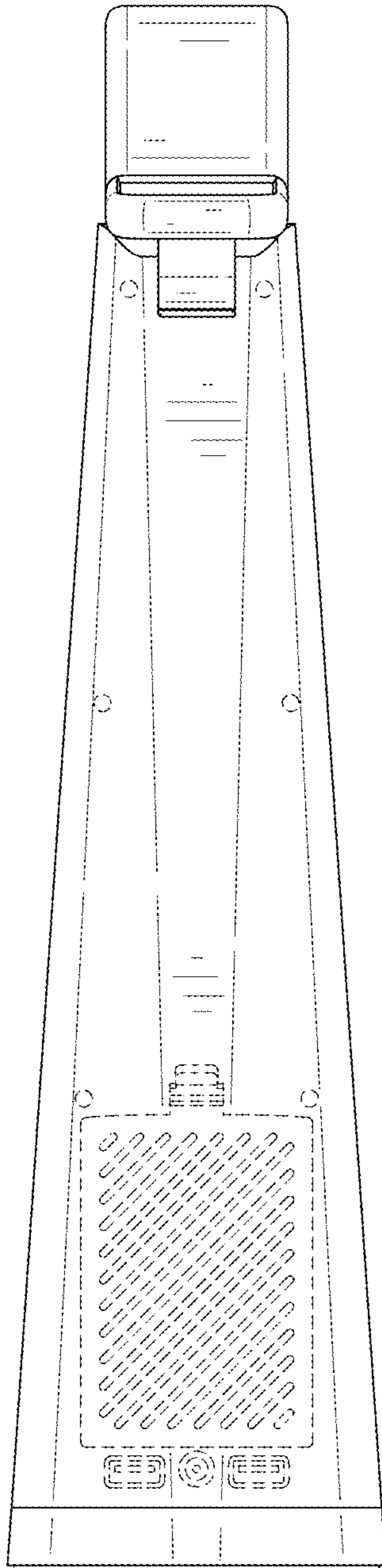


FIG. 4

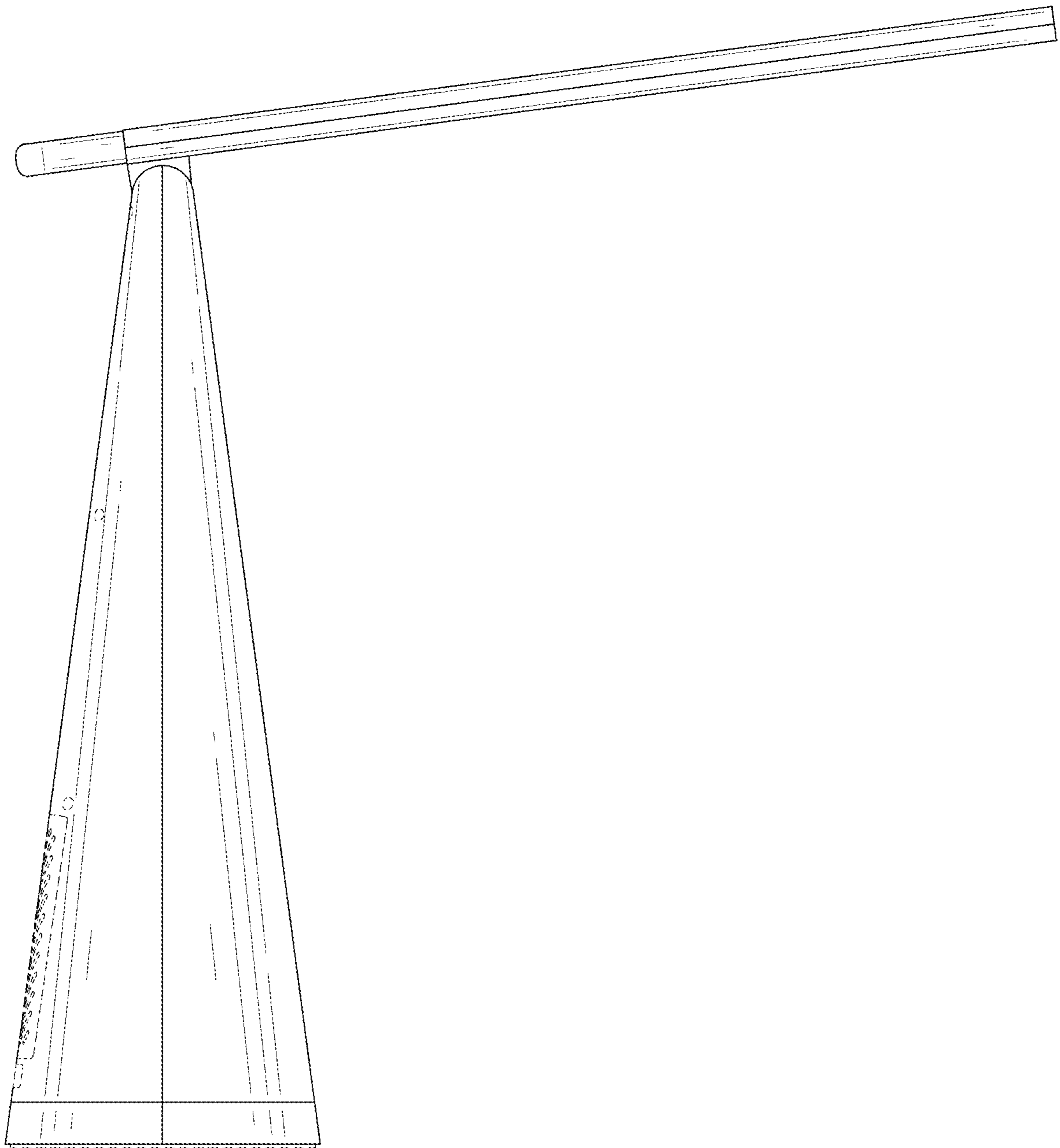


FIG. 5

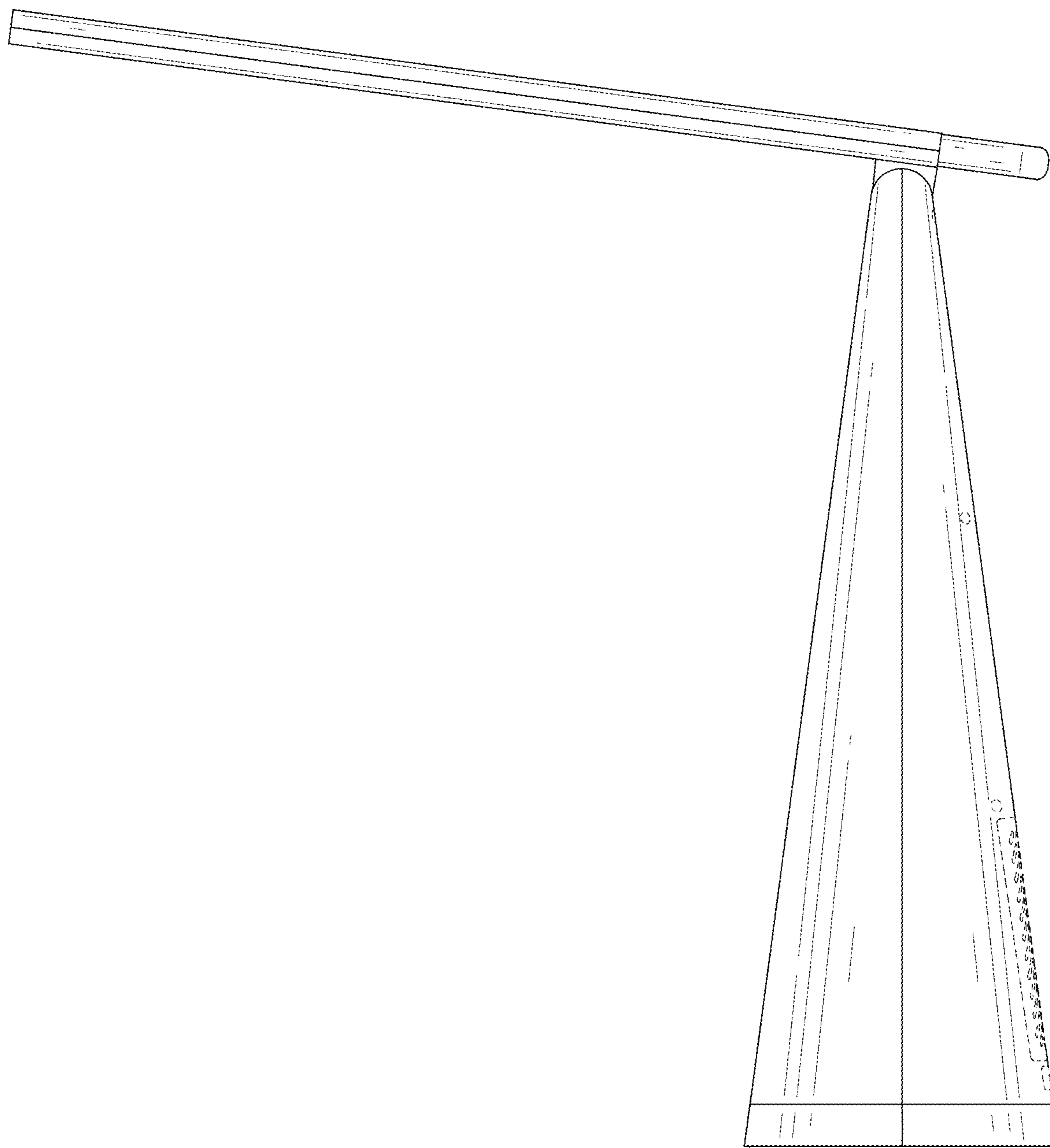


FIG. 6

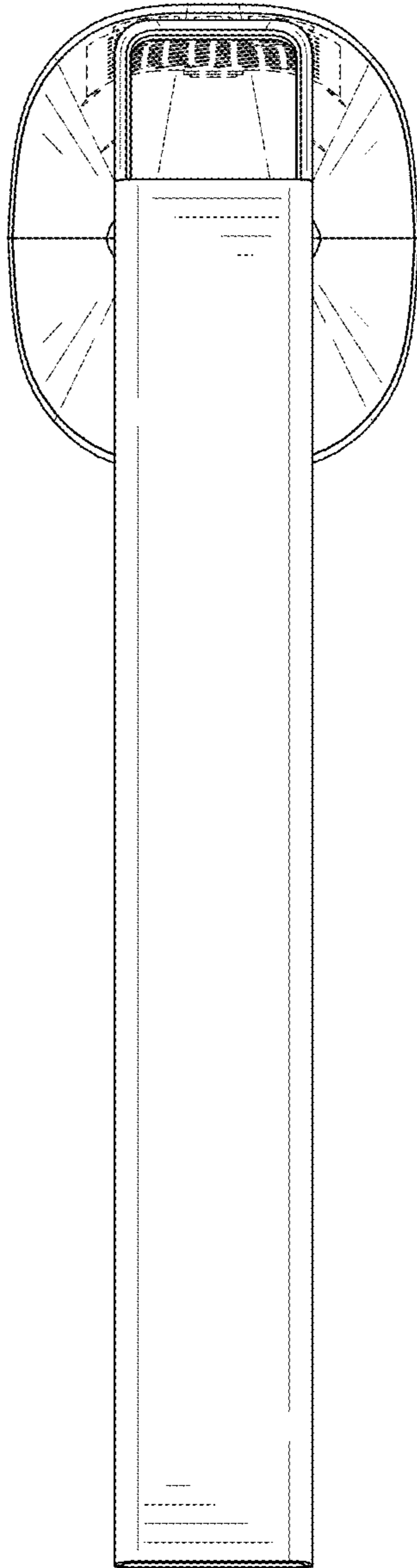


FIG. 7



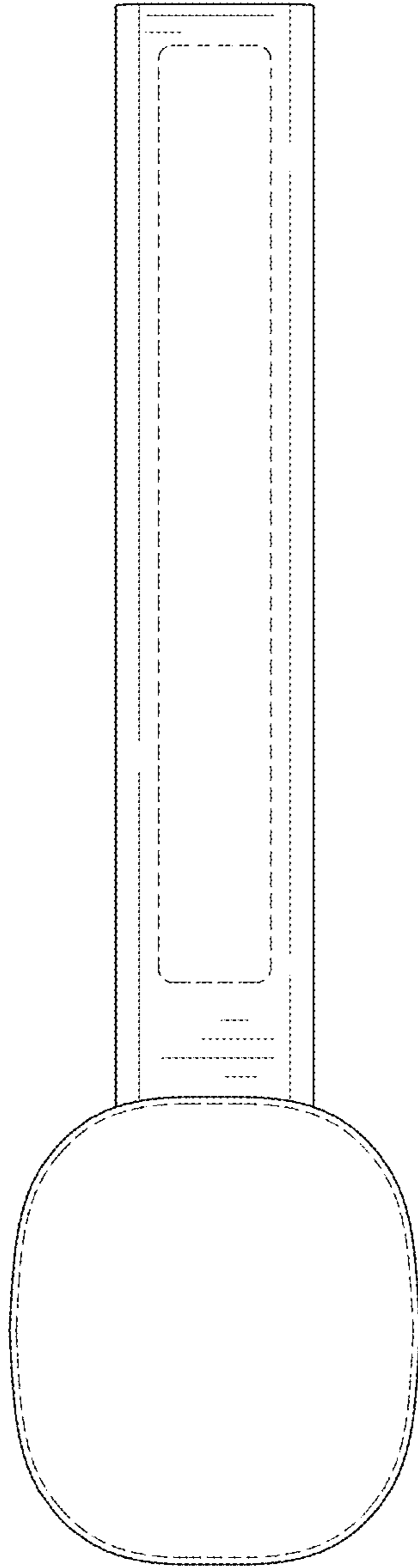


FIG. 8

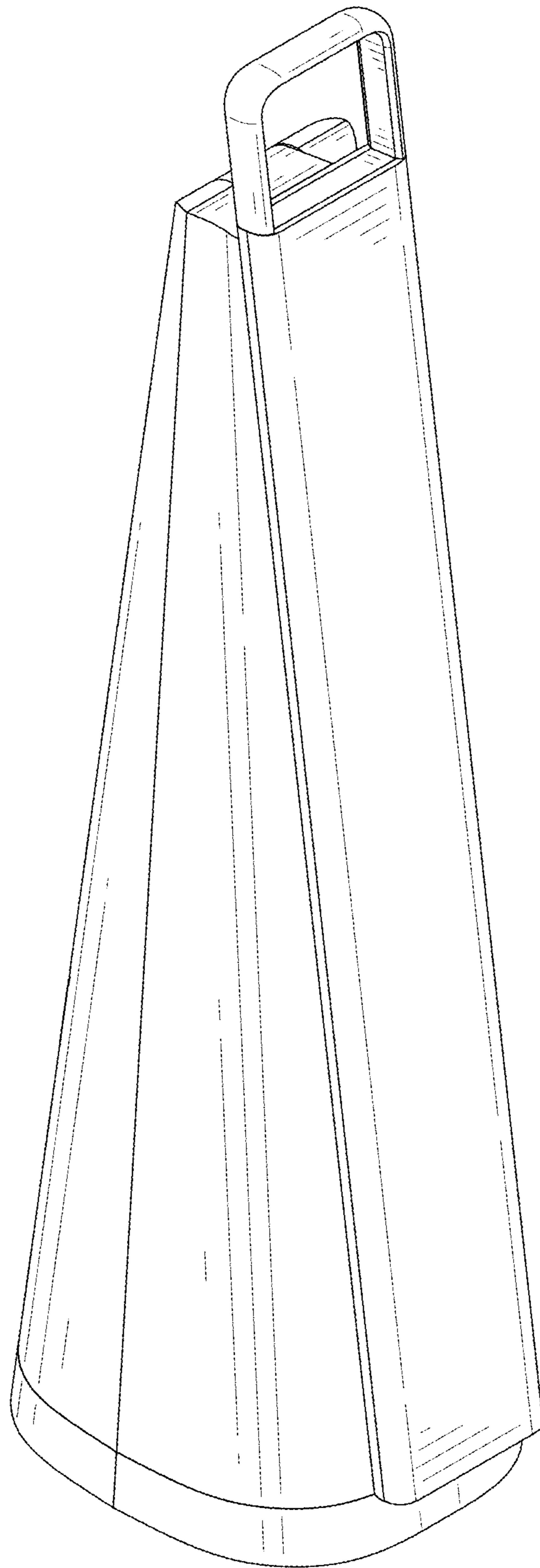


FIG. 9