



US00D895873S

(12) **United States Design Patent**
Yang

(10) **Patent No.:** **US D895,873 S**

(45) **Date of Patent:** **** Sep. 8, 2020**

(54) **OFF-ROAD LED LIGHT BAR**
(71) Applicant: **Guangzhou North and South Lighting Technology Co., Ltd.**, Guangdong (CN)

(72) Inventor: **Yanyan Yang**, Guangdong (CN)

(**) Term: **15 Years**

(21) Appl. No.: **29/650,136**

(22) Filed: **Jun. 5, 2018**

(51) **LOC (12) Cl.** **26-03**

(52) **U.S. Cl.**
USPC **D26/63**

(58) **Field of Classification Search**
USPC D26/1, 24, 61, 63, 65, 85, 92
CPC F21V 21/14; F21V 15/01; F21V 14/02;
F21V 21/30; F21V 21/00; F21V 14/00;
F21S 8/00; F21S 8/003; F21S 8/043;
F21Y 2105/001

See application file for complete search history.

(56) **References Cited**

U.S. PATENT DOCUMENTS

D581,569 S * 11/2008 Levine D26/61
D706,478 S * 6/2014 Yuen D26/63

D757,975 S * 5/2016 Lo Chun Tung D26/63
D775,393 S * 12/2016 Adams D26/63
D785,217 S * 4/2017 Engebrigtsen D26/63
D821,011 S * 6/2018 Yan D26/63
D836,231 S * 12/2018 Swai D26/63

* cited by examiner

Primary Examiner — Brian N. Vinson

(74) *Attorney, Agent, or Firm* — KA Filing LLC; Wayne V. Harper; Cynthia Flanigan

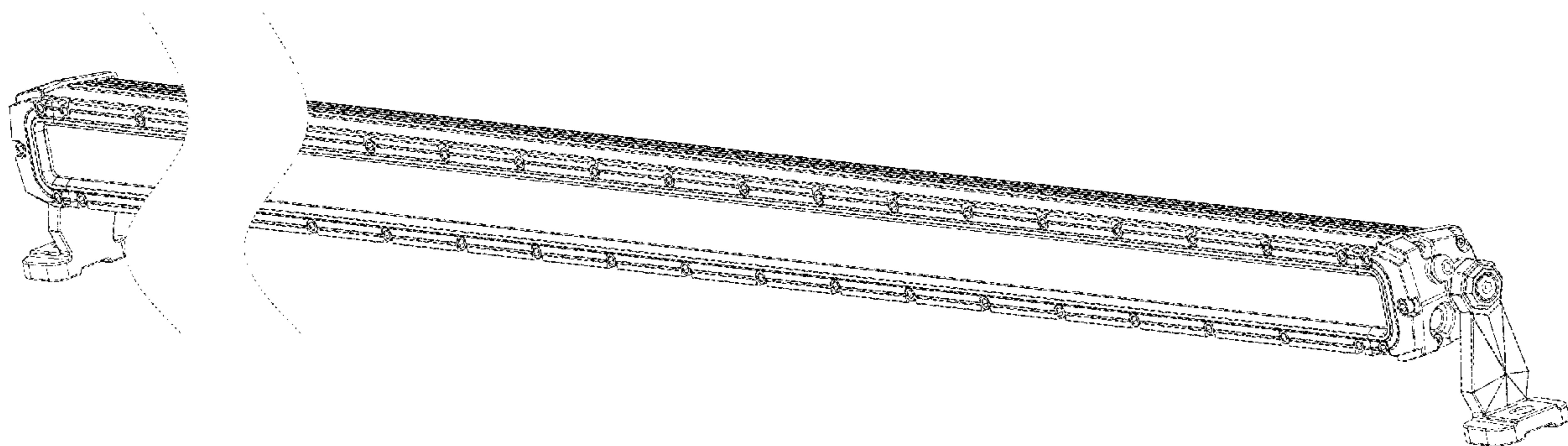
(57) **CLAIM**

The ornamental design for an off-road LED light bar, as shown and described.

DESCRIPTION

FIG. 1 is a front elevational view of an off-road LED light bar showing my new design;
FIG. 2 is a rear elevational view thereof;
FIG. 3 is a left side view in enlarge scale thereof;
FIG. 4 is a right side view in enlarge scale thereof;
FIG. 5 is a top plan view in enlarge scale thereof;
FIG. 6 is a bottom plan view in enlarge scale thereof; and,
FIG. 7 is a perspective view thereof.
The portions of the light bar between the areas shown broken away form no part of the claimed design.

1 Claim, 7 Drawing Sheets



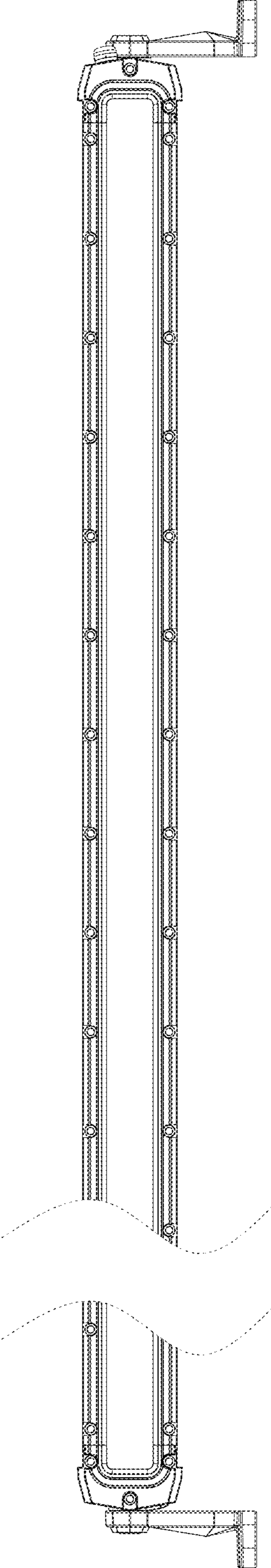


FIG. 1

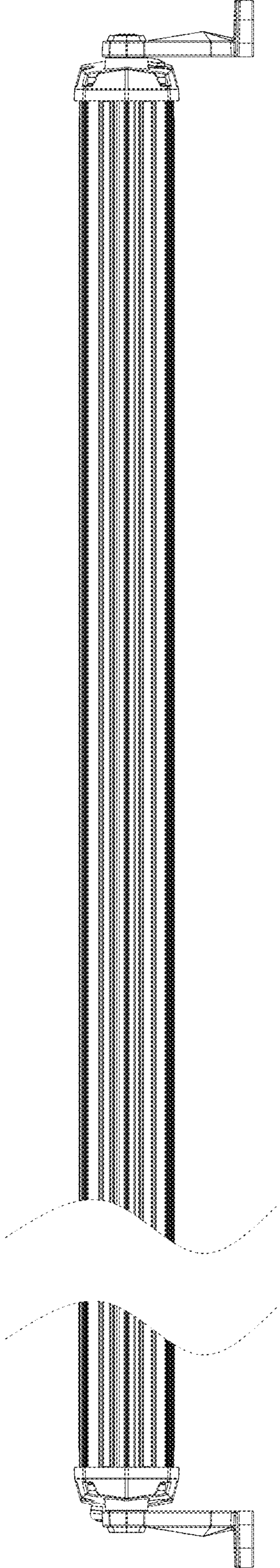


FIG. 2

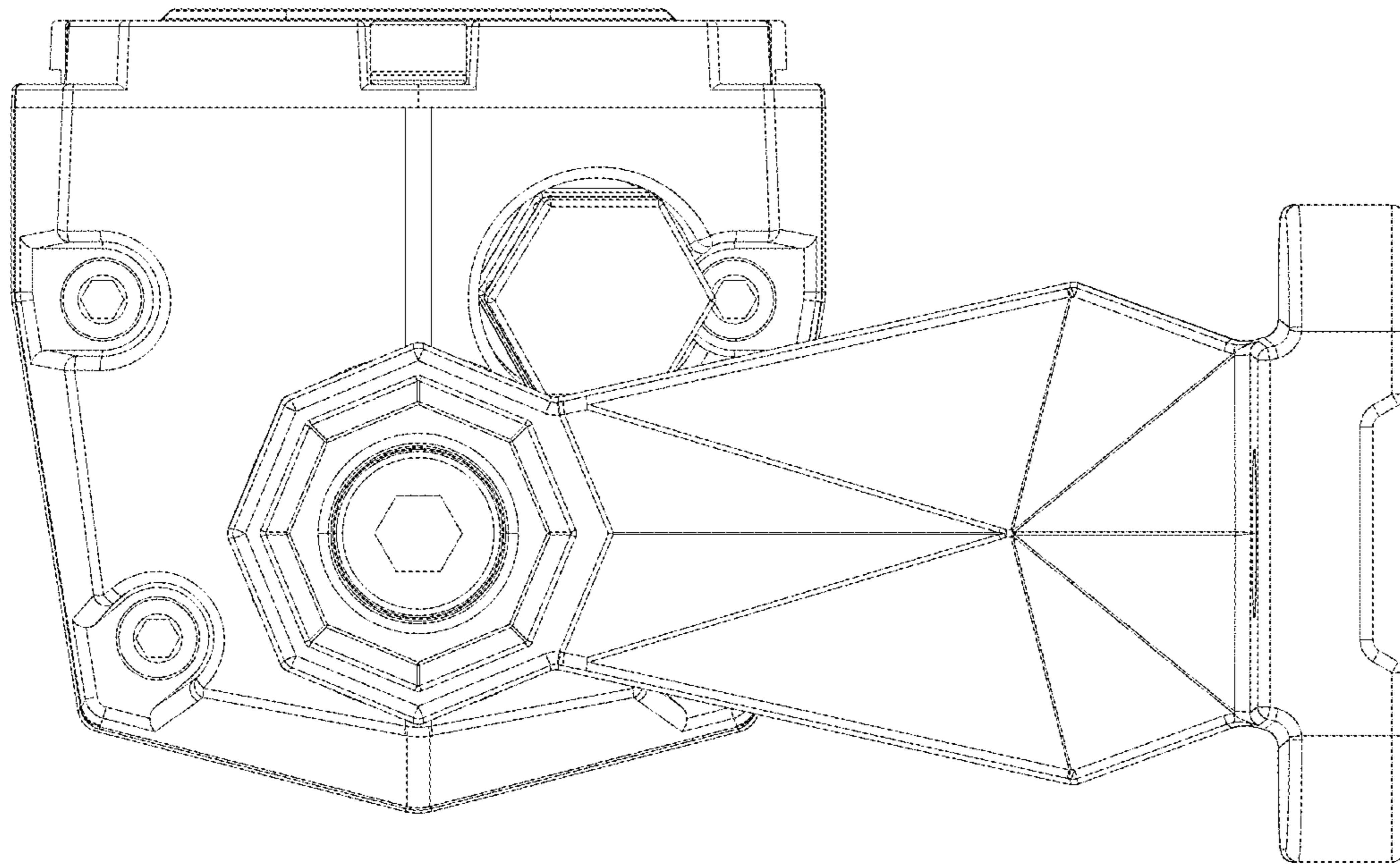


FIG. 3

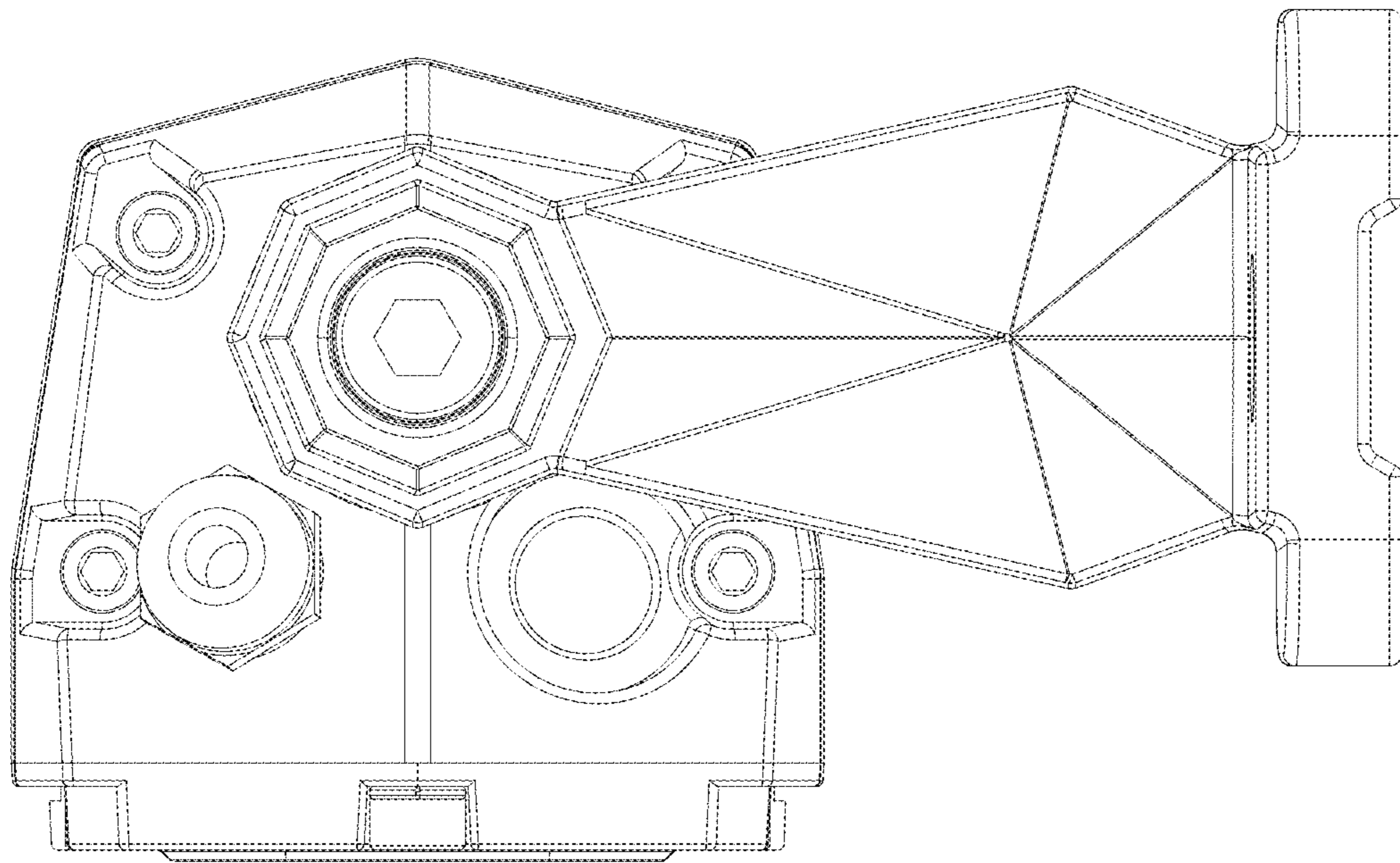


FIG. 4

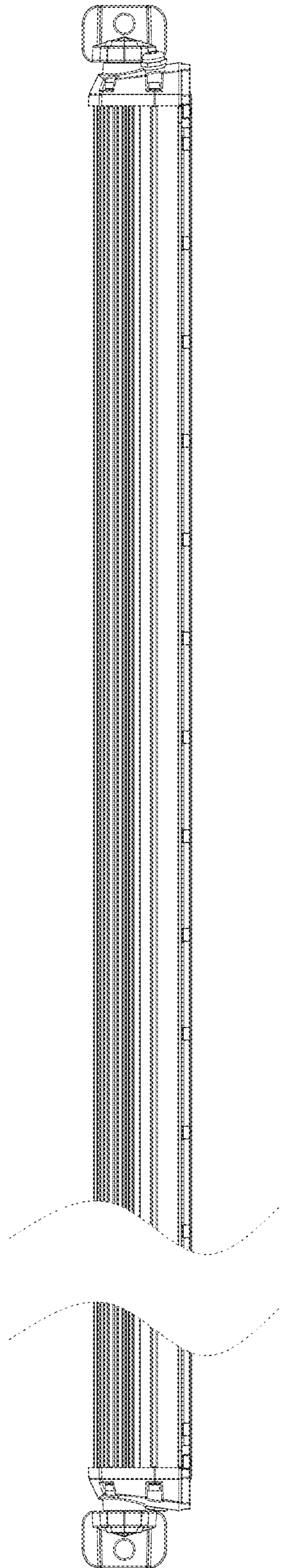


FIG. 5

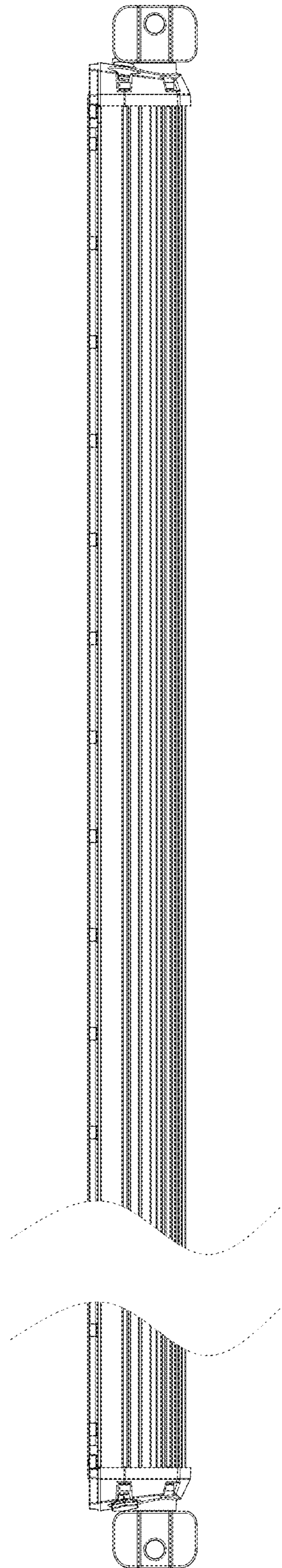


FIG. 6

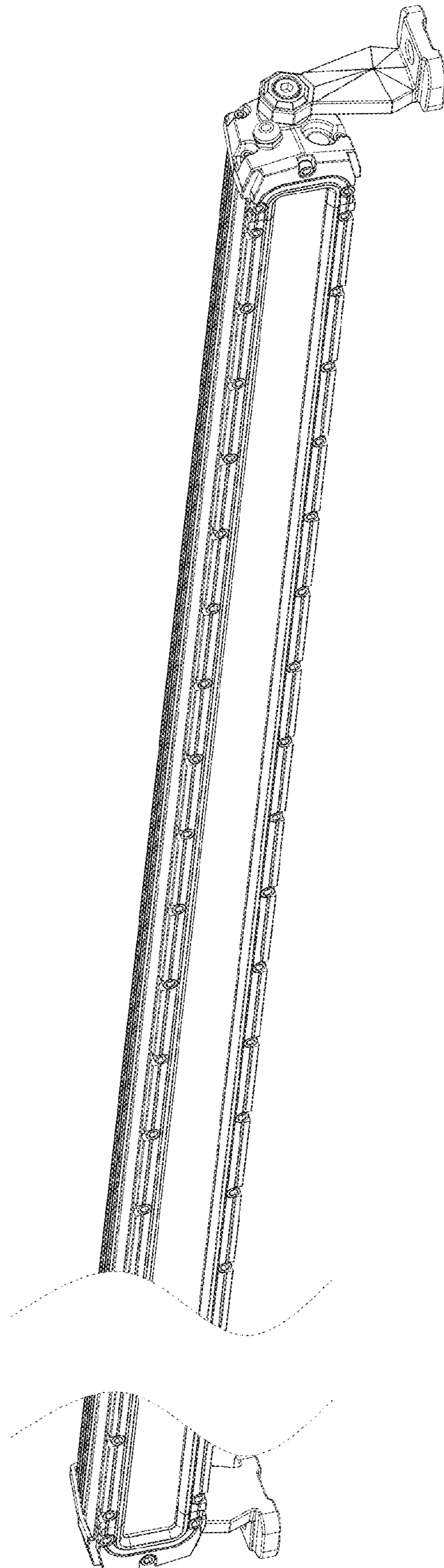


FIG. 7