



US00D895872S

(12) **United States Design Patent**  
**Yang**

(10) **Patent No.:** **US D895,872 S**

(45) **Date of Patent:** **\*\* Sep. 8, 2020**

(54) **BOOK CLIP LAMP**

(71) Applicant: **Kui Yang**, Xiaogan (CN)

(72) Inventor: **Kui Yang**, Xiaogan (CN)

(\*\*) Term: **15 Years**

(21) Appl. No.: **29/735,425**

(22) Filed: **May 21, 2020**

(51) **LOC (12) Cl.** ..... **26-03**

(52) **U.S. Cl.**  
USPC ..... **D26/60**

(58) **Field of Classification Search**  
USPC ..... D26/1, 24, 60, 62, 63, 65, 85, 92, 93,  
D26/104, 106

CPC ..... F21V 21/14; F21V 15/01; F21V 14/02;  
F21V 21/30; F21V 21/00; F21V 14/00;  
F21V 21/088; F21V 1/008; F21S 8/00;  
F21S 8/003; F21S 8/043; F21Y 2105/001;  
G03B 15/02

See application file for complete search history.

(56) **References Cited**

**U.S. PATENT DOCUMENTS**

D522,677 S \* 6/2006 Ming ..... D26/60  
D567,982 S 4/2008 Lu  
7,481,554 B2 \* 1/2009 Anderson ..... F21V 21/088  
362/183

D599,929 S 9/2009 Huang  
D641,902 S \* 7/2011 Chan ..... D26/60  
D689,642 S 9/2013 Huang  
D694,448 S \* 11/2013 Li ..... D26/62  
D784,580 S \* 4/2017 Smith ..... D26/60

\* cited by examiner

*Primary Examiner* — Brian N. Vinson

(74) *Attorney, Agent, or Firm* — HYIP

(57) **CLAIM**

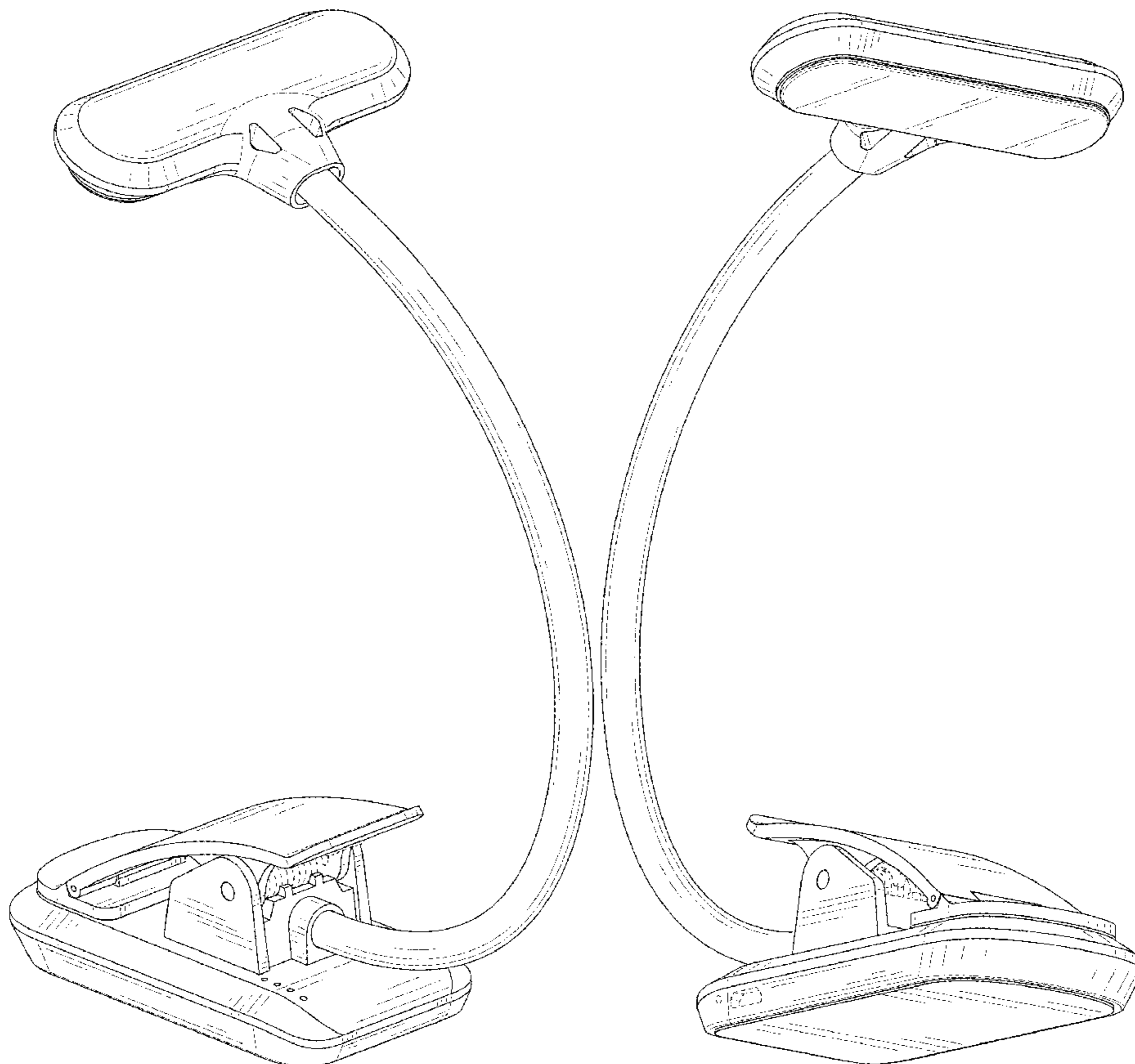
The ornamental design for a book clip lamp, as shown and described.

**DESCRIPTION**

FIG. 1 is a first perspective view of a book clip lamp showing my new design;  
FIG. 2 is a second perspective view thereof;  
FIG. 3 is a front view thereof;  
FIG. 4 is a back view thereof;  
FIG. 5 is a left side view thereof;  
FIG. 6 is a right side view thereof;  
FIG. 7 is a top view thereof; and,  
FIG. 8 is a bottom view thereof.

The broken lines shown in the drawings depict portions of the book clip lamp in which the design is embodied that form no part of the claimed design.

**1 Claim, 8 Drawing Sheets**



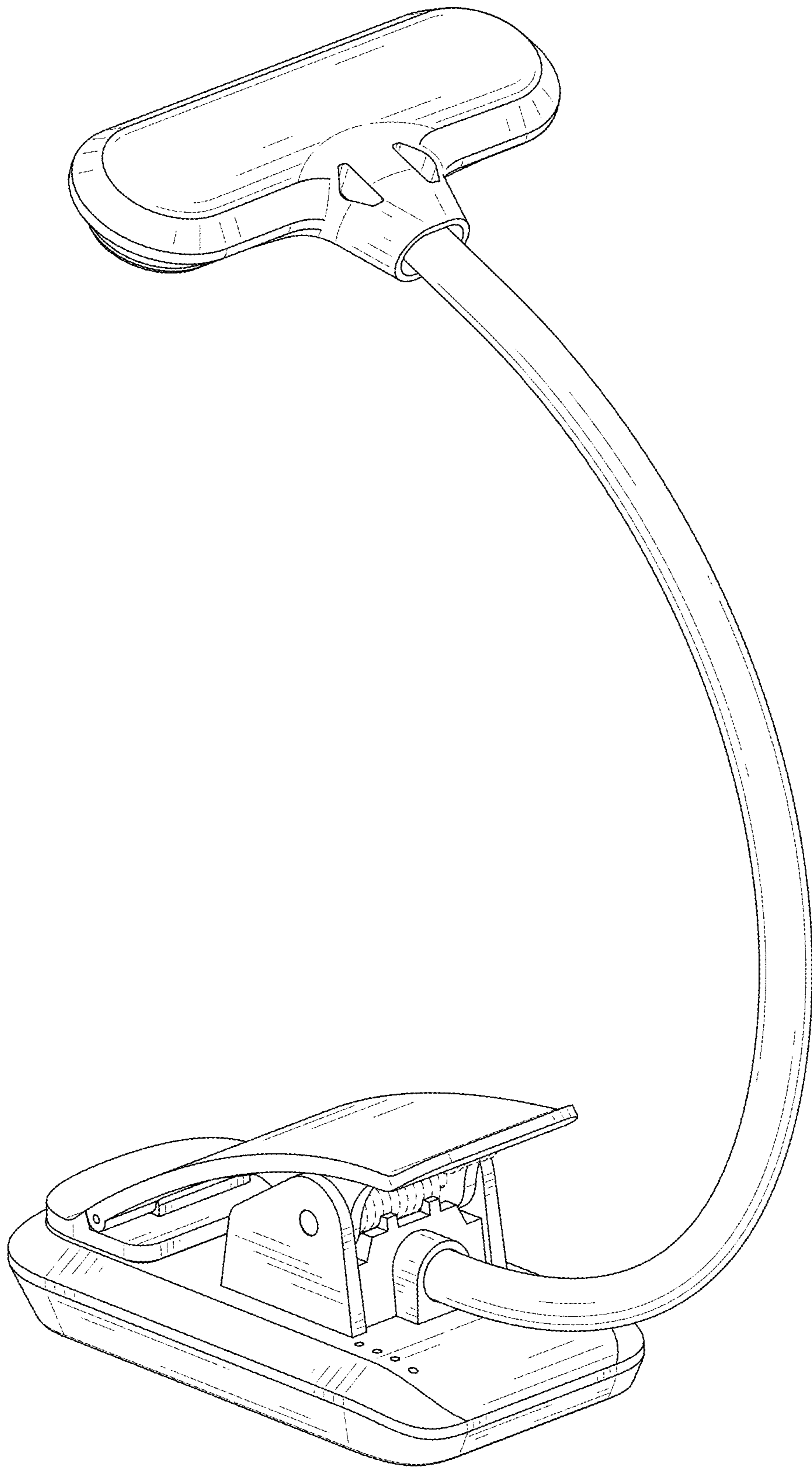


FIG. 1

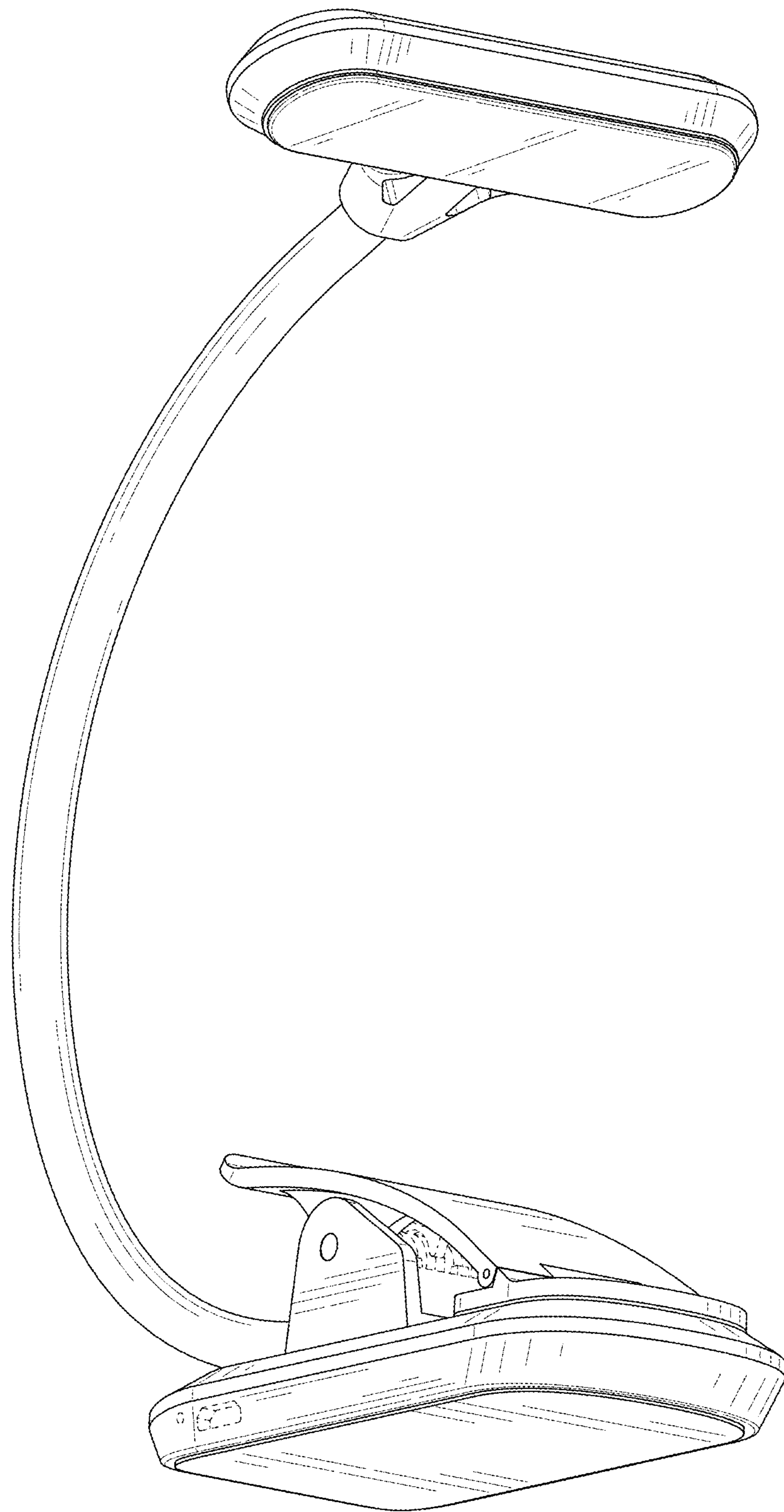


FIG. 2

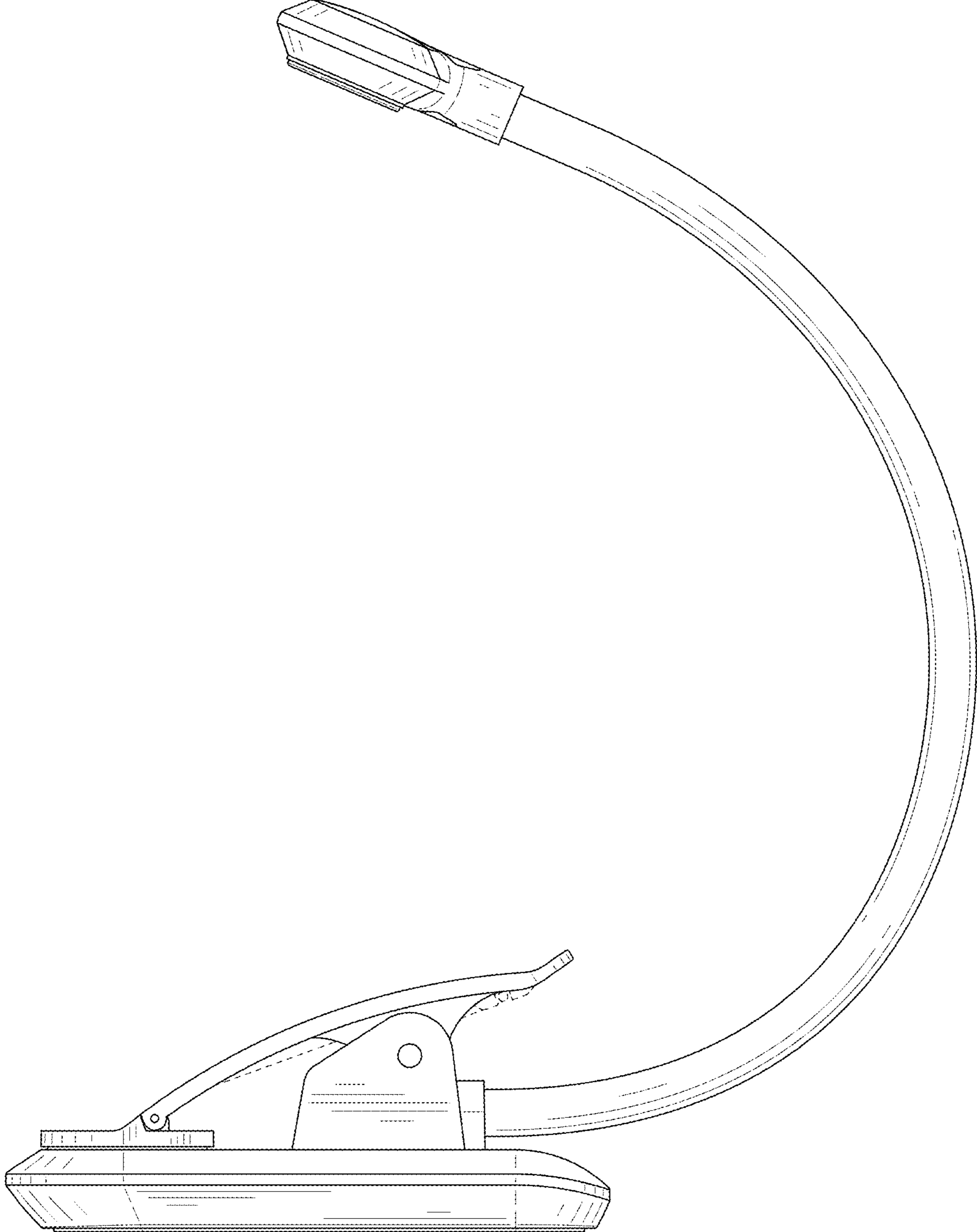


FIG. 3

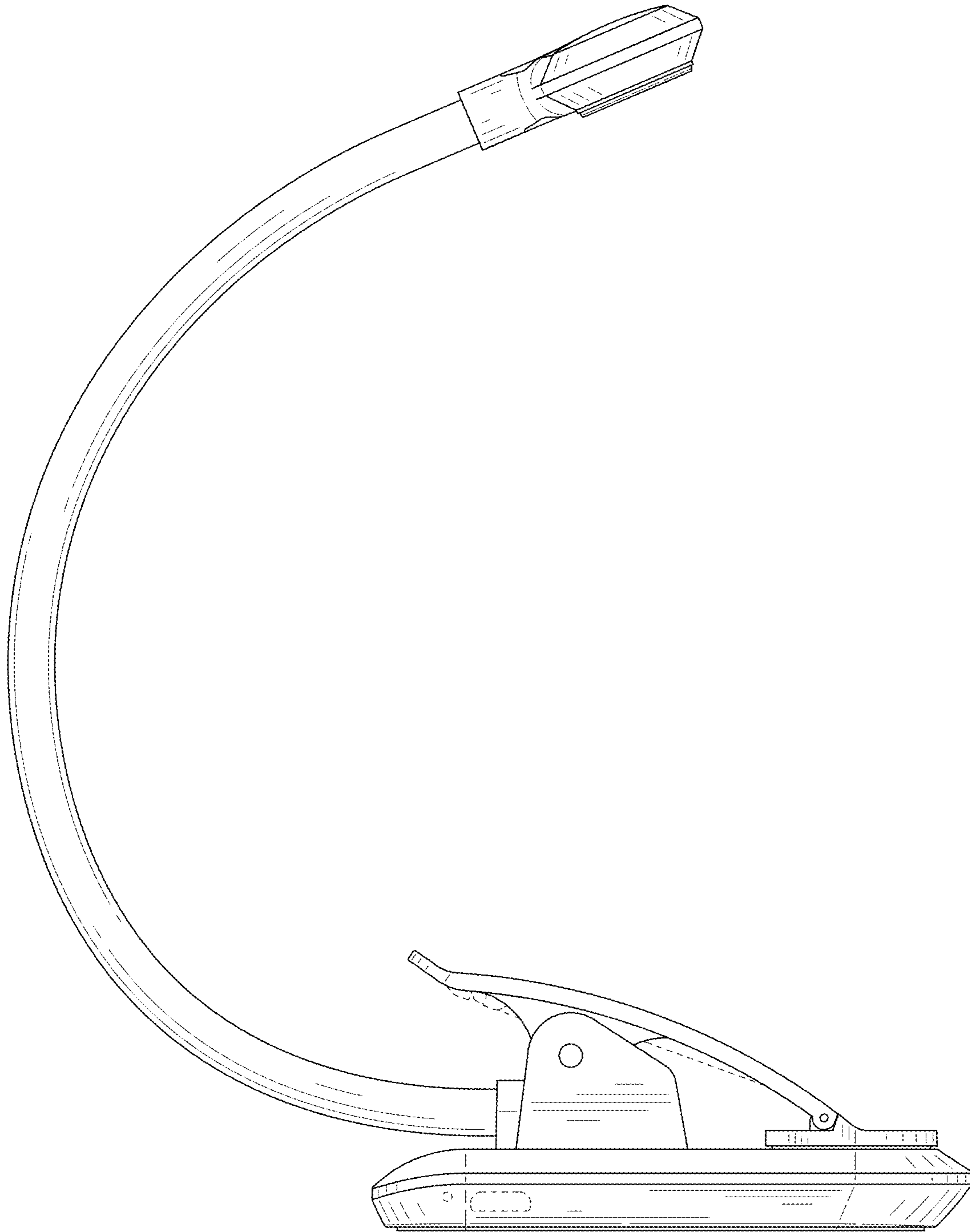


FIG. 4

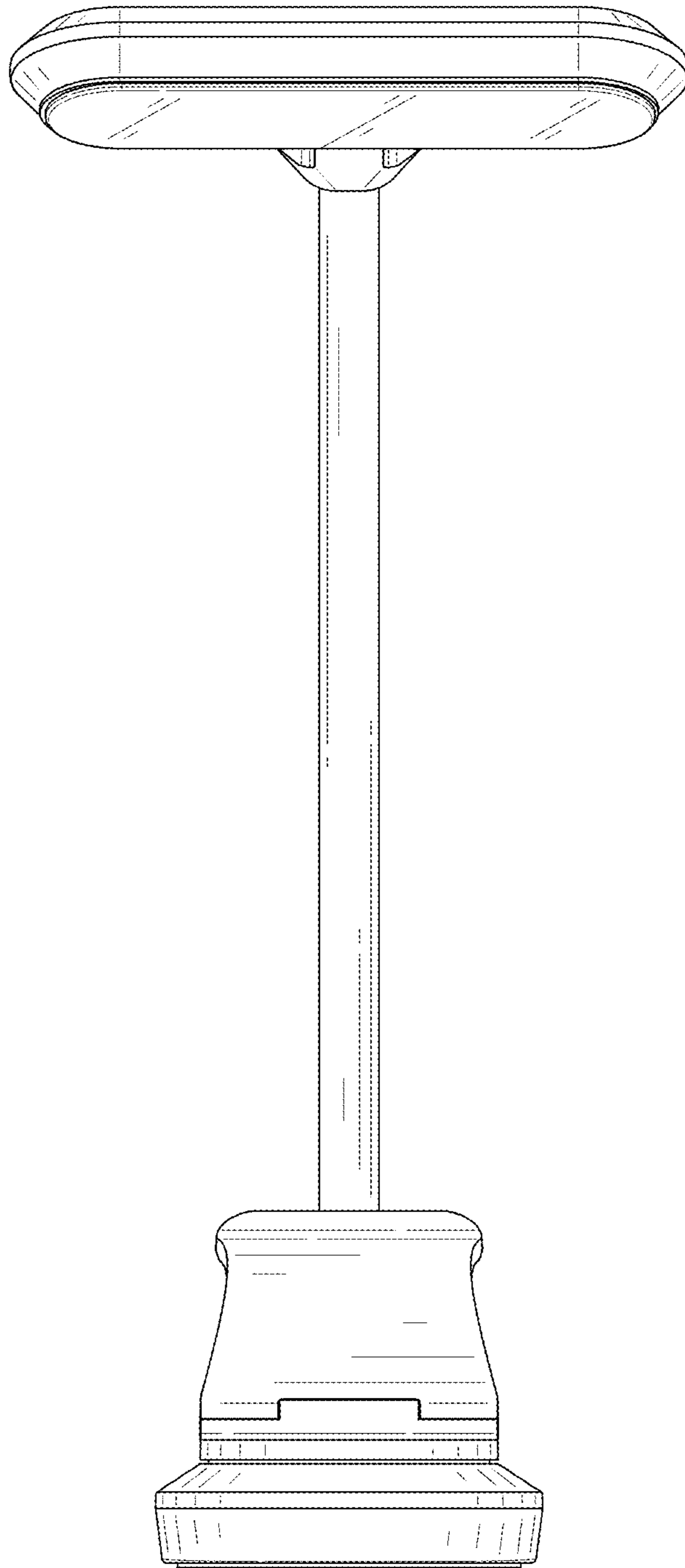


FIG. 5

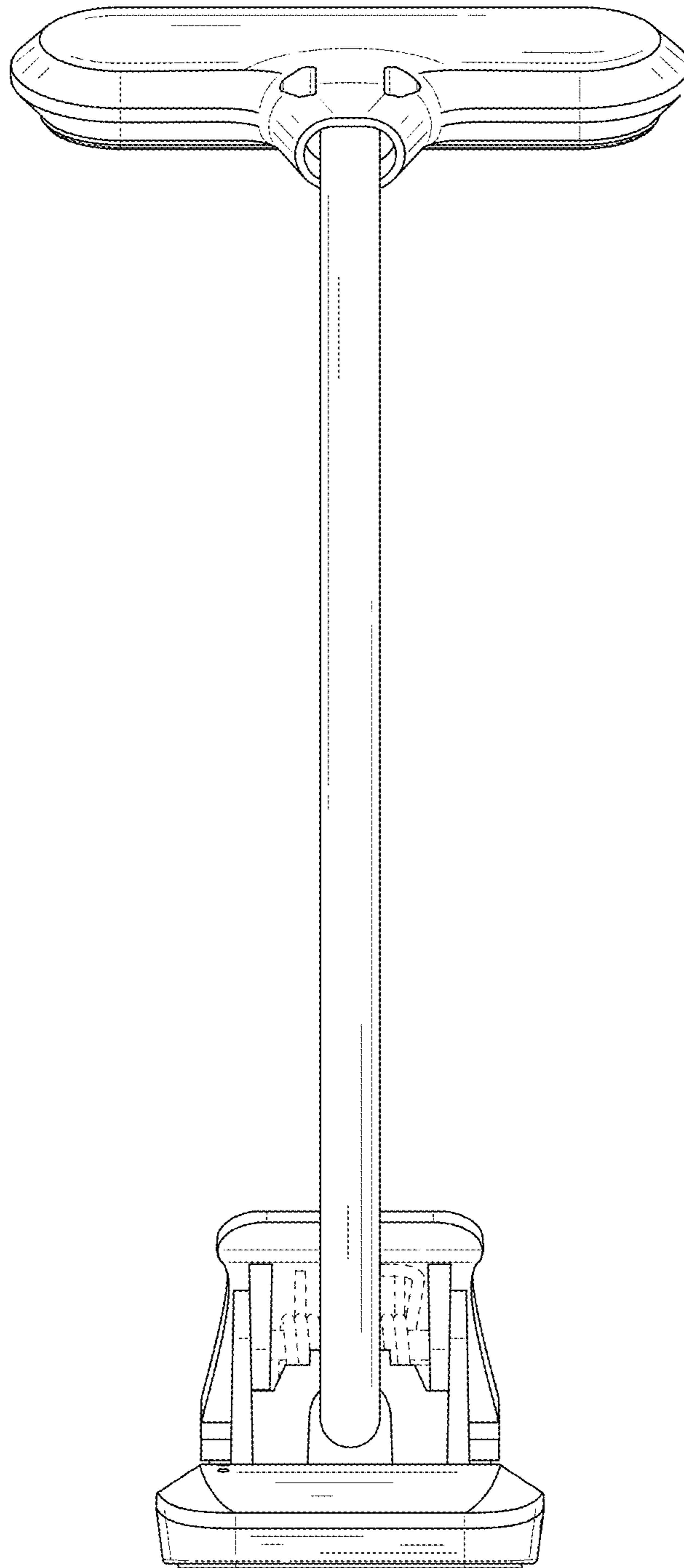


FIG. 6

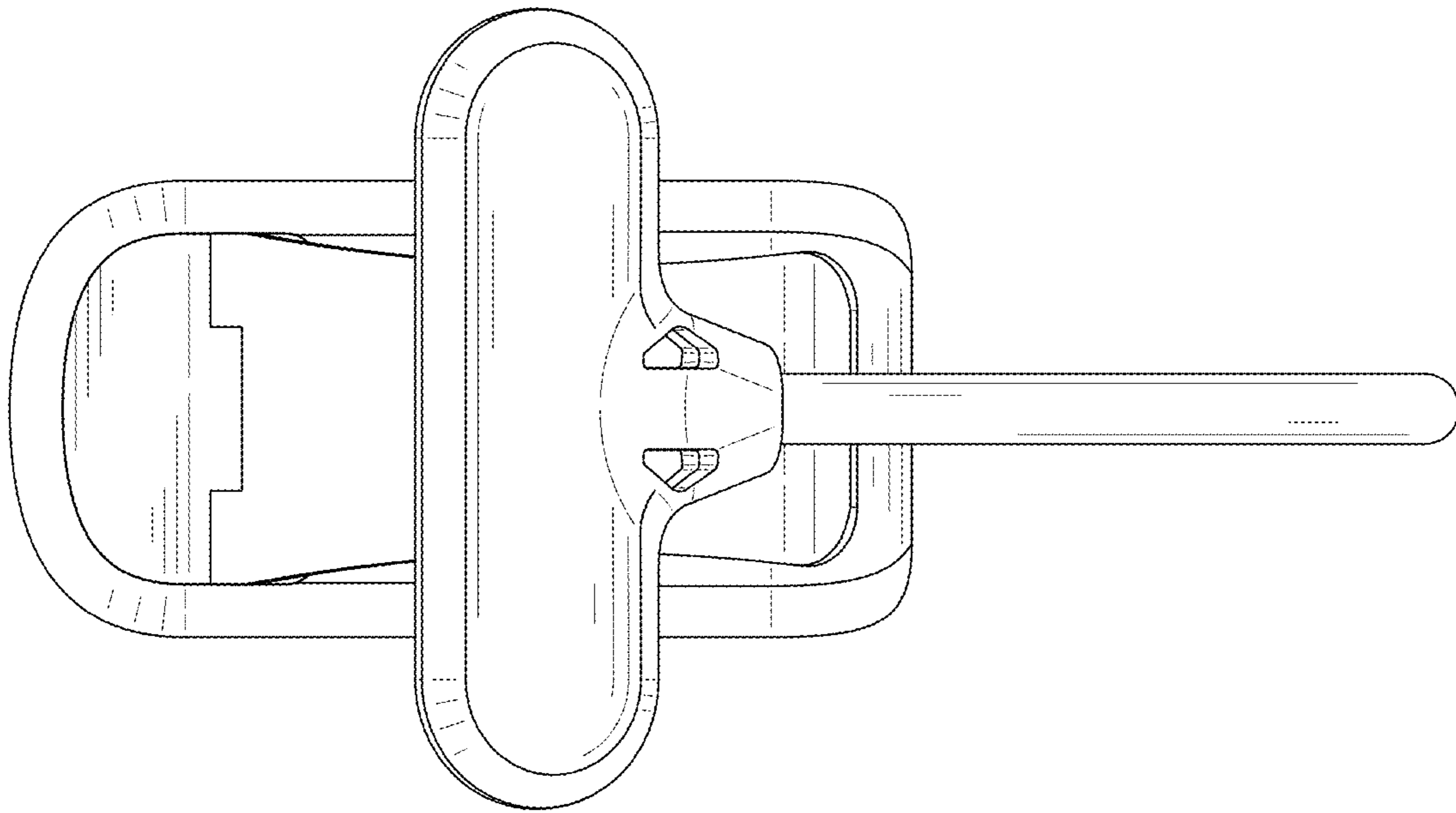


FIG. 7



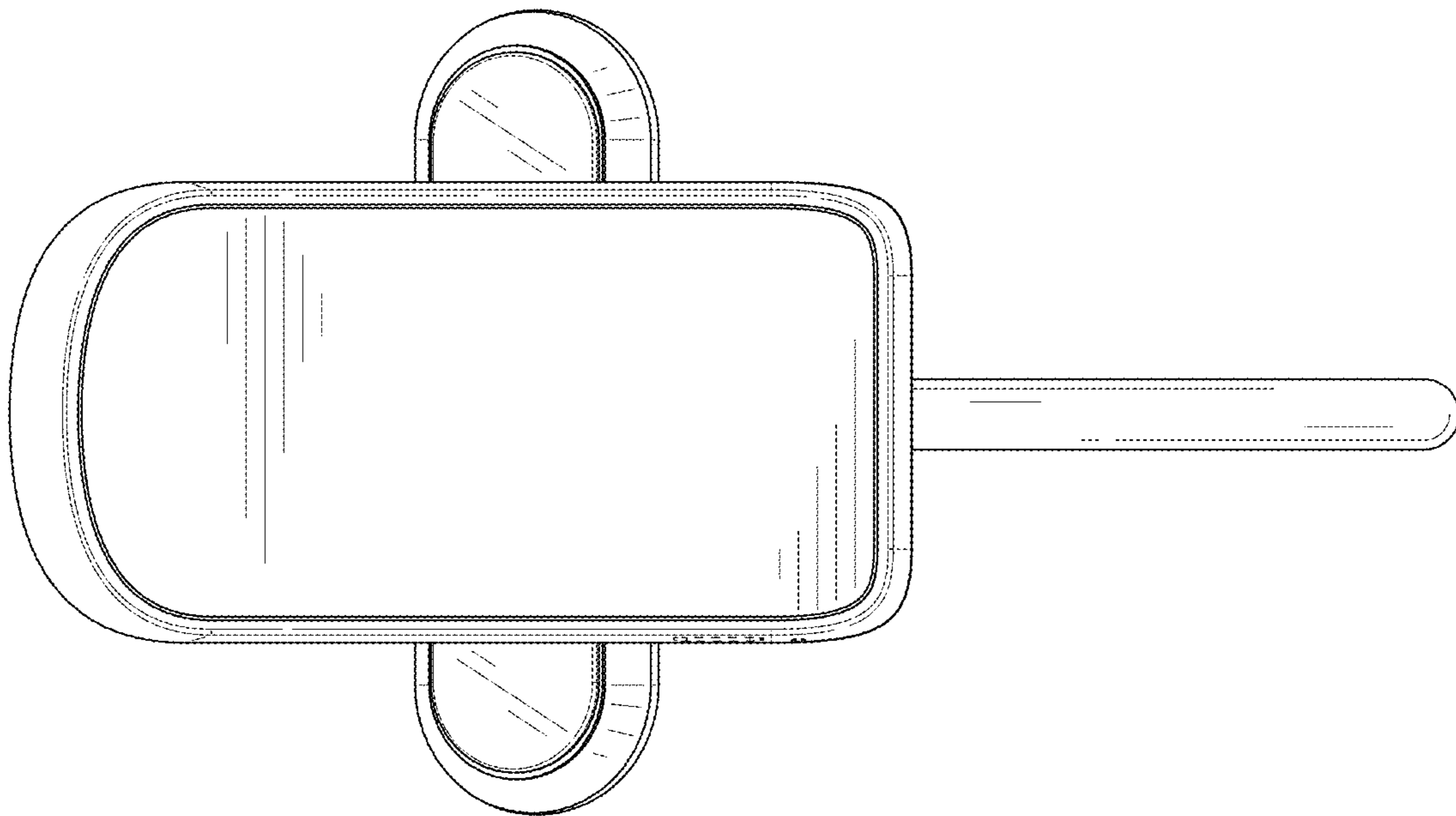


FIG. 8