



US00D895870S

(12) **United States Design Patent**
Huang

(10) **Patent No.:** **US D895,870 S**

(45) **Date of Patent:** **** Sep. 8, 2020**

(54) **LIGHTING DEVICE**

(71) Applicant: **Yu-Ting Huang**, Taichung (TW)

(72) Inventor: **Yu-Ting Huang**, Taichung (TW)

(**) Term: **15 Years**

(21) Appl. No.: **29/683,216**

(22) Filed: **Mar. 12, 2019**

(51) **LOC (12) Cl.** **26-02**

(52) **U.S. Cl.**
USPC **D26/49**

(58) **Field of Classification Search**
USPC D26/37-38, 40-42, 46, 49-50
CPC F21L 2003/00; F21L 4/00; F21L 4/005;
F21L 4/02; F21L 4/022; F21L 4/025;
F21L 4/027; F21L 4/04; F21L 4/045;
F21L 4/08; F21L 4/085; F21L 14/02
See application file for complete search history.

(56) **References Cited**

U.S. PATENT DOCUMENTS

D311,776 S *	10/1990	Krol	D26/42
D311,779 S *	10/1990	Krol	D26/46
D371,214 S *	6/1996	Terry, Sr.	D26/49
D403,737 S *	1/1999	Howe	D22/134
D413,401 S *	8/1999	McDonald	D26/49
D415,300 S *	10/1999	McCalla	D26/49
D417,022 S *	11/1999	Chiu	D26/49
D465,045 S *	10/2002	Yamamoto	D26/49
D467,016 S *	12/2002	Lo	D26/8
D478,391 S *	8/2003	Saunders	D26/49
D481,472 S *	10/2003	Lam	D26/8
D489,469 S *	5/2004	Liou	D26/37
D498,552 S *	11/2004	Chen	D26/37
D501,055 S *	1/2005	Packard	D26/37
D510,450 S *	10/2005	Chen	D26/37
D515,719 S *	2/2006	Shiu	D26/37
D517,230 S *	3/2006	Ho	D26/37

D529,211 S *	9/2006	Lee	D26/37
D529,643 S *	10/2006	Kung	D26/37
D533,674 S *	12/2006	Julius	D26/49
D557,836 S *	12/2007	Shiu	D26/37
D557,840 S *	12/2007	Shiu	D26/37
D563,007 S *	2/2008	Opolka	D26/49
D567,430 S *	4/2008	Kingston	D26/104
D576,757 S *	9/2008	Hesse	D26/49
D593,239 S *	5/2009	Caniparoli	D26/49
D596,772 S *	7/2009	Chang	D26/49
D601,285 S *	9/2009	Chen	D26/49
D608,482 S *	1/2010	Brown	D26/49
D620,163 S *	7/2010	Kang	D26/49
D625,448 S *	10/2010	Brown	D26/49
D644,775 S *	9/2011	Nguyen	D26/49
D675,358 S *	1/2013	Brands	D26/49
D675,764 S *	2/2013	Boutet	D26/49
D676,994 S *	2/2013	Lee	D26/49
D701,340 S *	3/2014	Opolka	D26/49
D706,475 S *	6/2014	Lee	D26/49
D716,482 S *	10/2014	Ma	D26/49
D725,303 S *	3/2015	Kunzendorf	D26/49

(Continued)

Primary Examiner — Sheryl Lane

Assistant Examiner — Stacey L Hopkins

(74) *Attorney, Agent, or Firm* — WPAT, PC

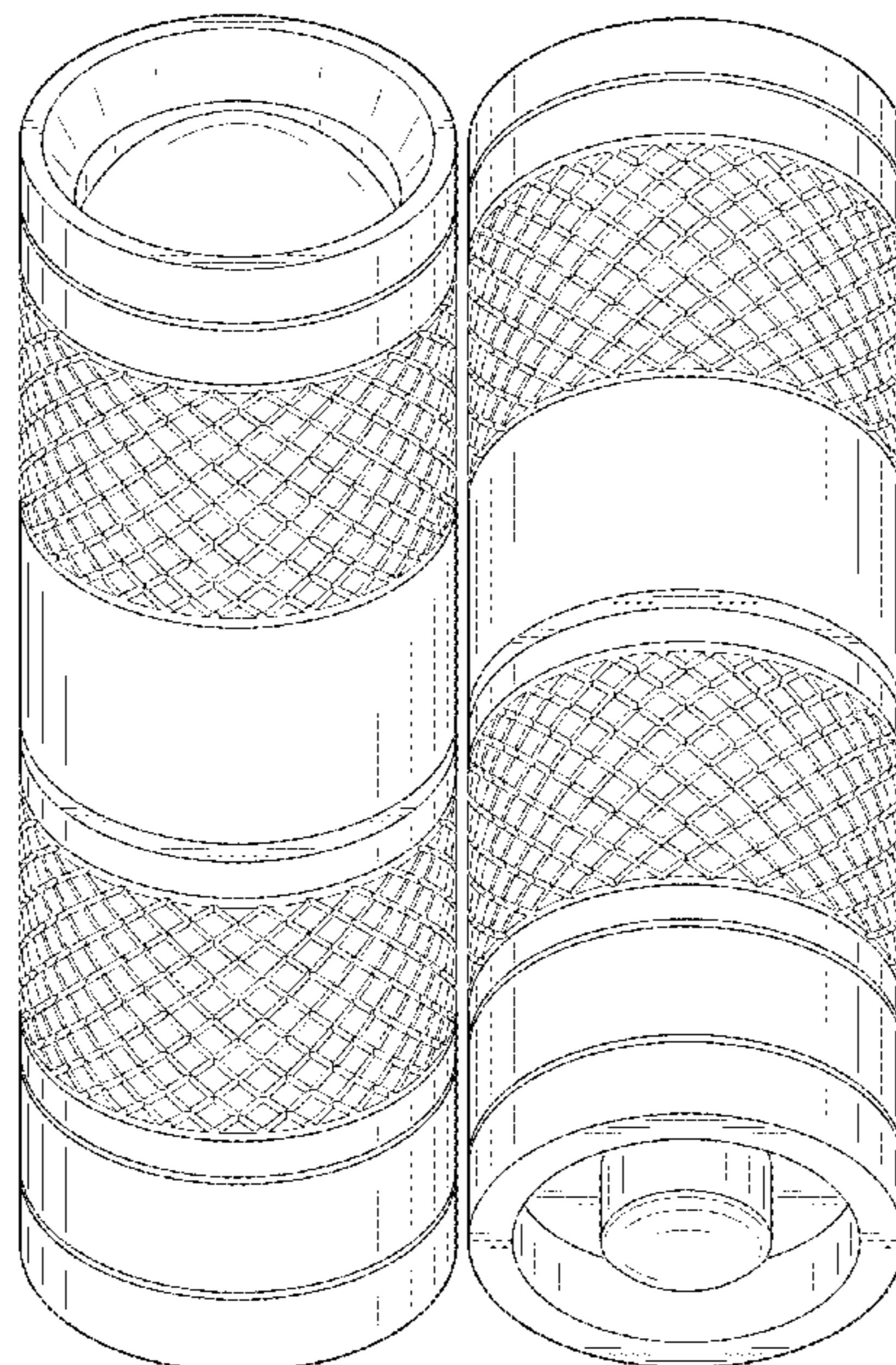
(57) **CLAIM**

The ornamental design for a lighting device, as shown and described.

DESCRIPTION

FIG. 1 is a top perspective view of a lighting device showing my new design;
FIG. 2 is a front and rear elevational view thereof;
FIG. 3 is a left side and right side elevational view thereof;
FIG. 4 is a top plan view thereof;
FIG. 5 is a bottom plan view thereof; and,
FIG. 6 is a bottom perspective view thereof.

1 Claim, 5 Drawing Sheets



(56)

References Cited

U.S. PATENT DOCUMENTS

D734,520	S	*	7/2015	Ma	D26/49
D736,975	S	*	8/2015	Tang	D22/117
D744,137	S	*	11/2015	Ma	D26/49
D748,834	S	*	2/2016	Huang	D26/38
D749,766	S	*	2/2016	Nguyen	D26/49
D759,137	S	*	6/2016	Hassan	D15/144
D780,356	S	*	2/2017	Nguyen	D26/49
D785,842	S	*	5/2017	Huang	D26/49
D799,090	S	*	10/2017	Green	D26/49
D802,192	S	*	11/2017	Windom	D26/49
D802,195	S	*	11/2017	Huang	D26/49
D809,171	S	*	1/2018	Ma	D26/49
D823,510	S	*	7/2018	Kunzendorf	D26/49
D827,893	S	*	9/2018	Kunzendorf	D26/49
D827,894	S	*	9/2018	Huang	D26/49
D831,250	S	*	10/2018	Wu	D26/49
D842,515	S	*	3/2019	Qiu	D26/49
D842,517	S	*	3/2019	Davidson	D26/49
D846,782	S	*	4/2019	Huang	D26/49
D858,834	S	*	9/2019	Huang	D26/49
D861,217	S	*	9/2019	Huang	D26/49
D866,031	S	*	11/2019	Muyshondt	D26/49
D871,639	S	*	12/2019	Prieto	D26/49
D884,946	S	*	5/2020	Muyshondt	D26/49
2003/0147237	A1	*	8/2003	Halasz	F21L 4/027 362/187

* cited by examiner

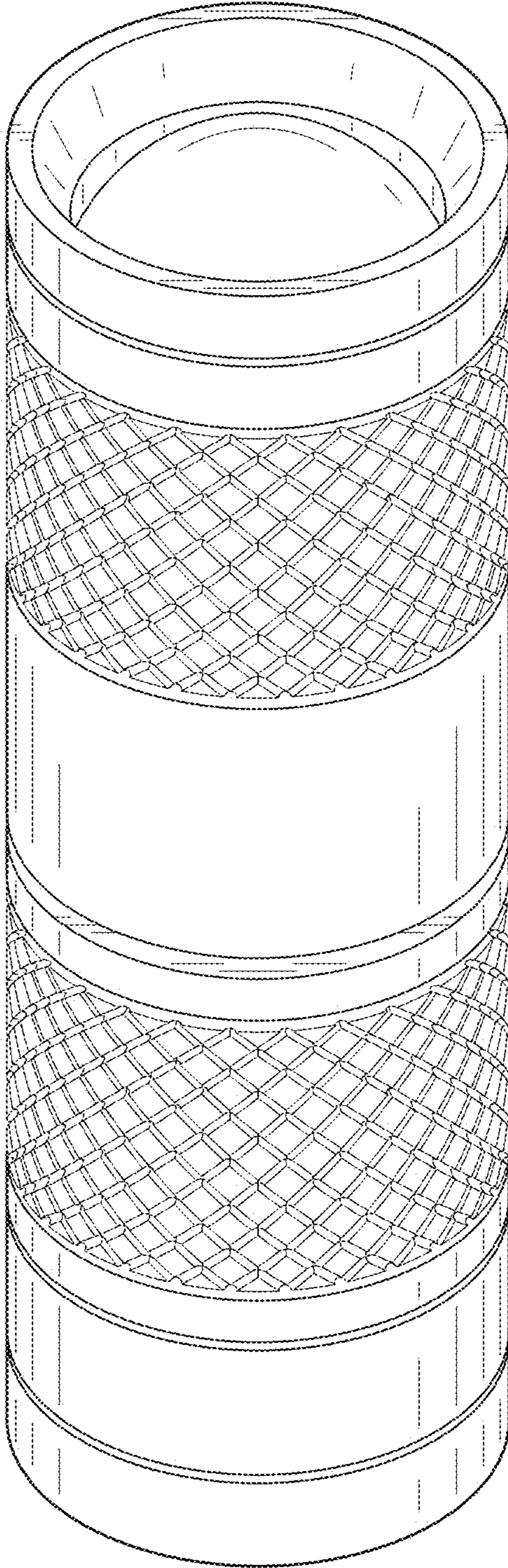


FIG. 1

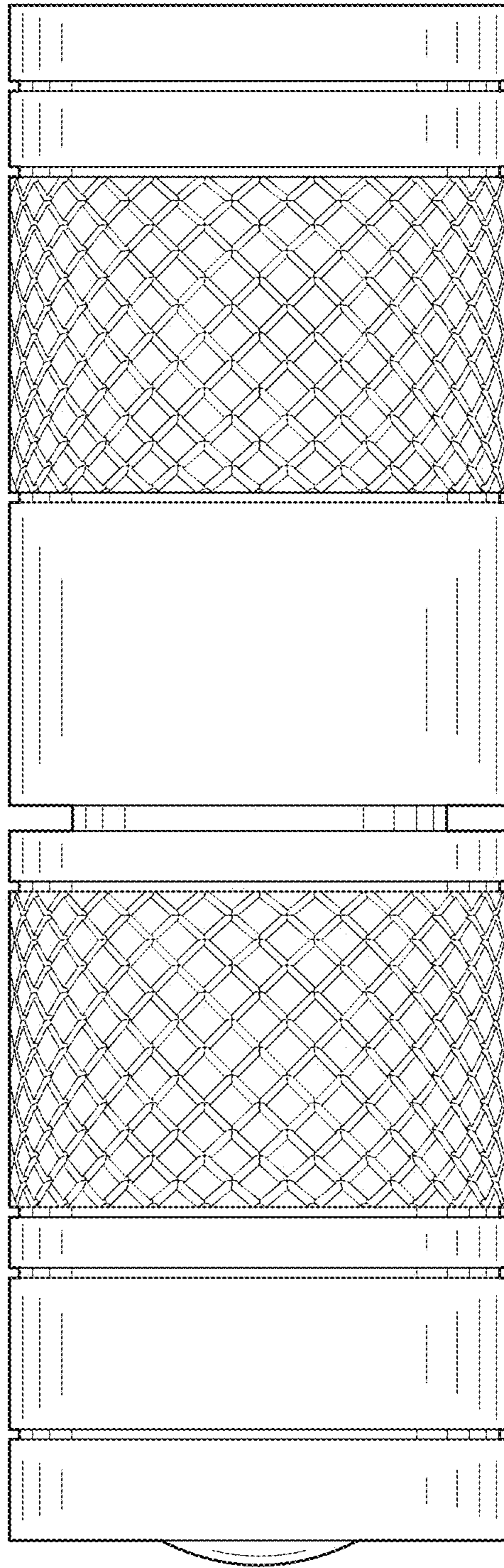


FIG. 2

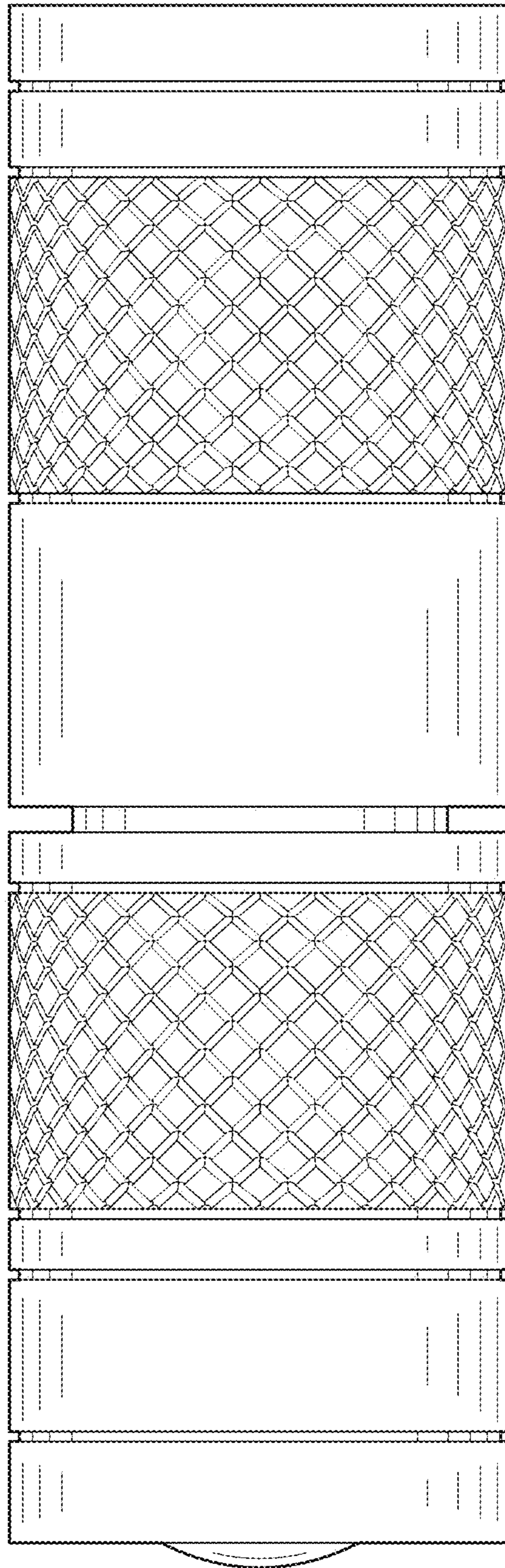


FIG. 3

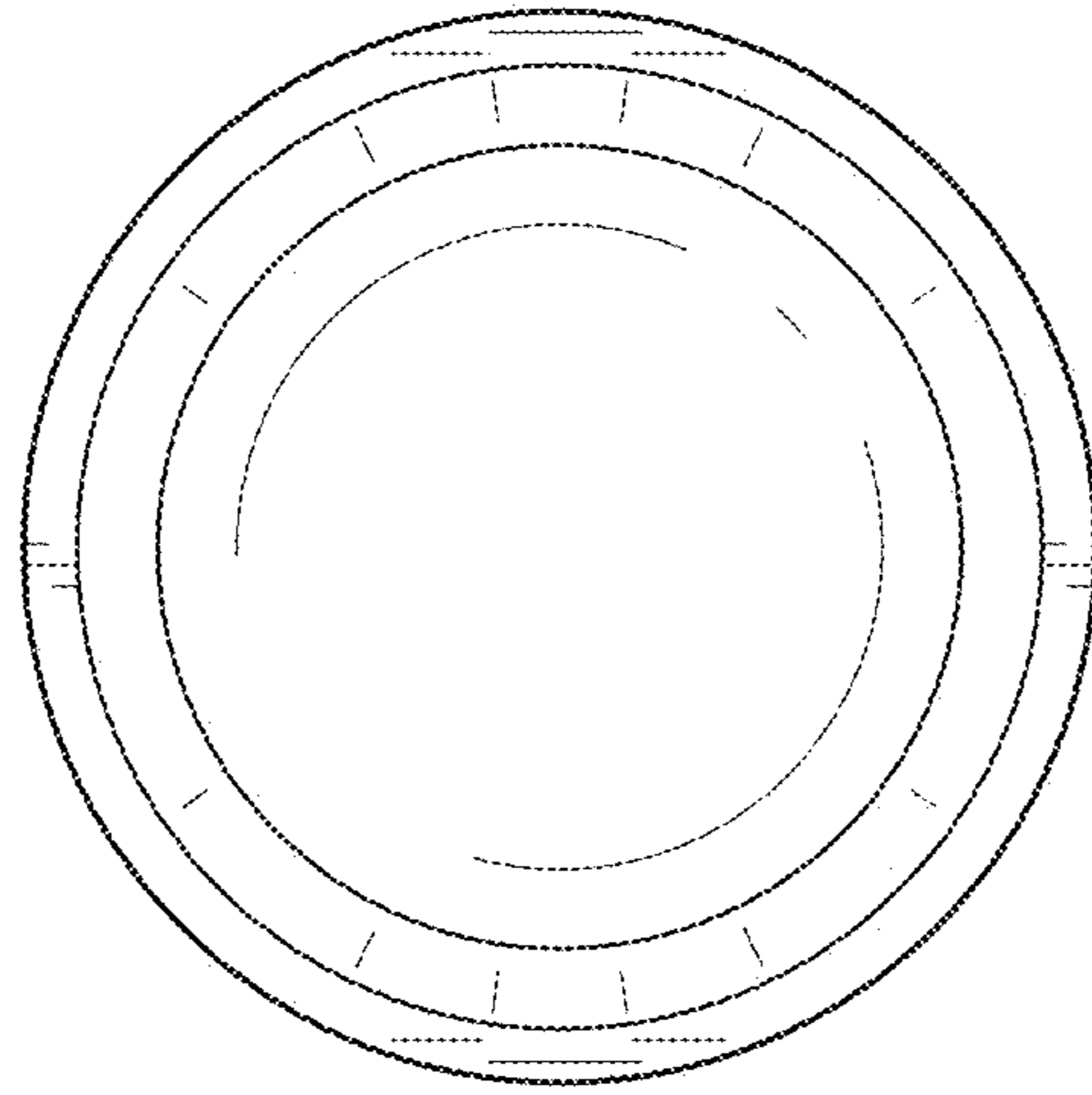


FIG. 4

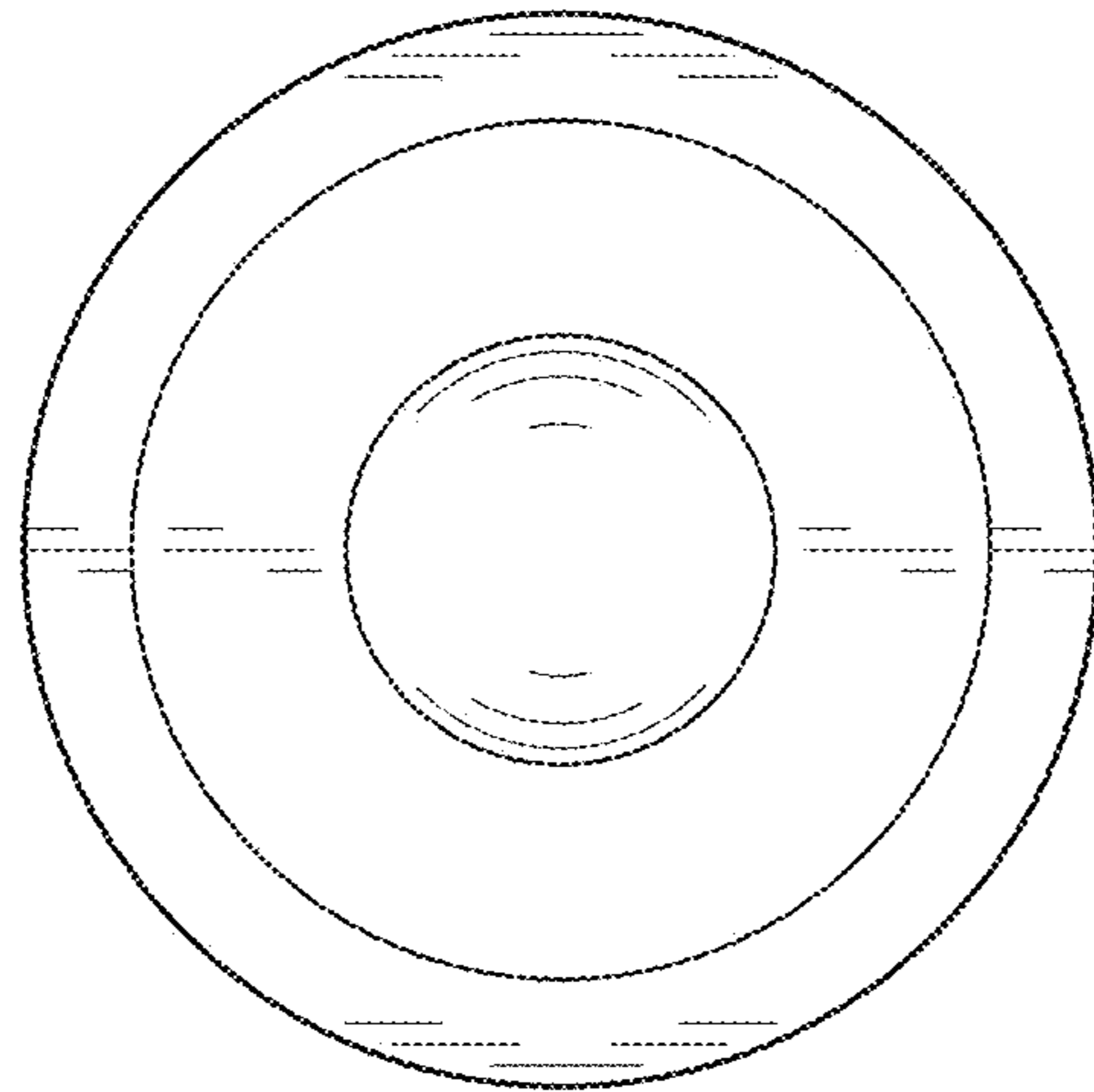


FIG. 5

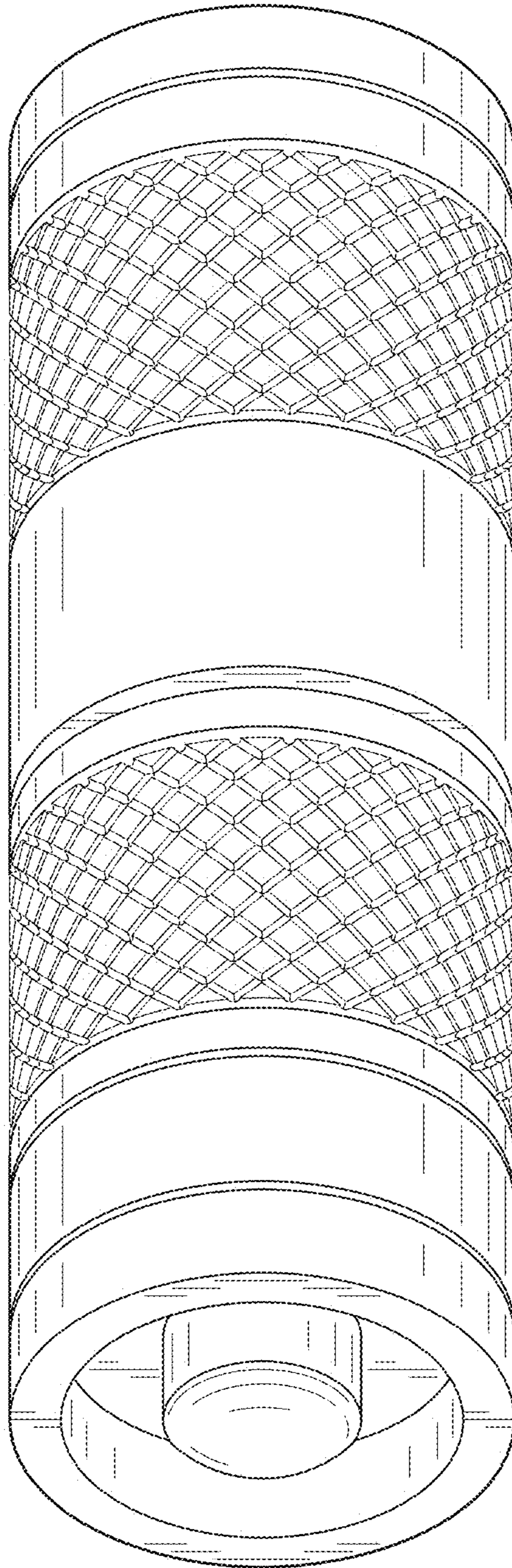


FIG. 6