



US00D895869S

(12) **United States Design Patent**  
**Qiu**

(10) **Patent No.:** **US D895,869 S**  
(45) **Date of Patent:** **\*\* Sep. 8, 2020**

(54) **FLASHLIGHT**

**DESCRIPTION**

(71) Applicant: **NINGBO FUTAI ELECTRIC LIMITED**, Ningbo, Zhejiang (CN)  
(72) Inventor: **Fujun Qiu**, Ningbo (CN)  
(73) Assignee: **Ningbo Futai Electric Limited**, Ningbo, Zhejiang (CN)  
(\*\*) Term: **15 Years**  
(21) Appl. No.: **29/665,358**  
(22) Filed: **Oct. 2, 2018**  
(51) **LOC (12) Cl.** ..... **26-02**  
(52) **U.S. Cl.**  
USPC ..... **D26/49**  
(58) **Field of Classification Search**  
USPC ..... **D26/37-51**  
CPC ..... **F21L 2003/00; F21L 4/00; F21L 4/005; F21L 4/02; F21L 4/025; F21L 4/027; F21L 4/04; F21L 4/08; F21L 2005/00; F21L 7/00; F21L 11/00; F21L 13/00; F21L 13/04;**

(Continued)

(56) **References Cited**

**U.S. PATENT DOCUMENTS**

D465,045 S \* 10/2002 Yamamoto ..... D26/49  
D529,643 S \* 10/2006 Kung ..... D26/37  
D566,309 S \* 4/2008 Kornfeld ..... D26/37

(Continued)

*Primary Examiner* — Lakiya G Rogers

*Assistant Examiner* — Carissa C Fitts

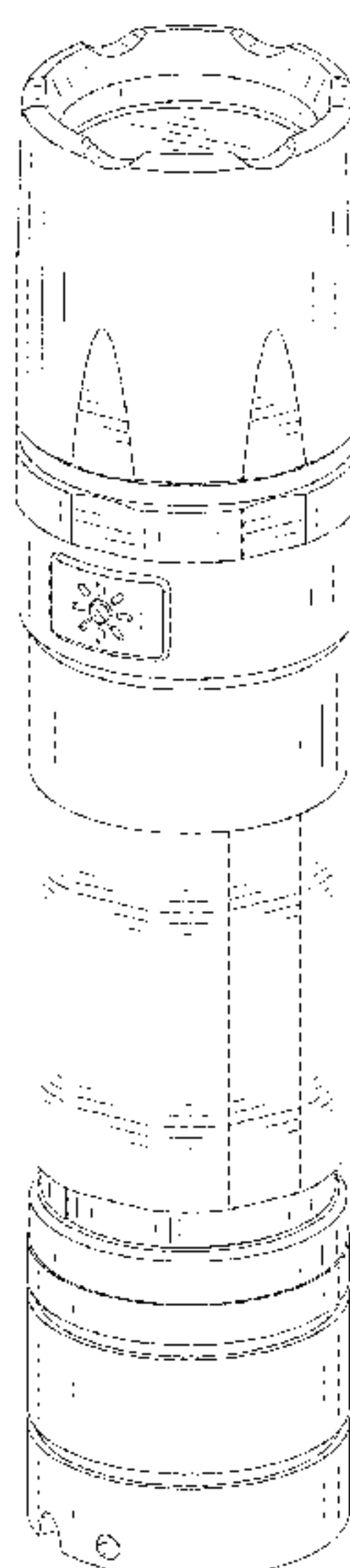
(74) *Attorney, Agent, or Firm* — Raymond Y. Chan;  
David and Raymond Patent Firm

(57) **CLAIM**

The ornamental design for a flashlight, as shown and described.

FIG. 1 is a front view of the flashlight of my new design according to a first embodiment;  
FIG. 2 is a rear view thereof according to the first embodiment;  
FIG. 3 is a left view thereof according to the first embodiment;  
FIG. 4 is a right view thereof according to the first embodiment;  
FIG. 5 is a top view thereof according to the first embodiment;  
FIG. 6 is a bottom view thereof according to the first embodiment;  
FIG. 7 is a front perspective view thereof according to the first embodiment;  
FIG. 8 is a rear perspective view thereof according to the first embodiment;  
FIG. 9 is a bottom perspective view thereof according to the first embodiment;  
FIG. 10 is a front view of the flashlight of my new design according to a second embodiment, wherein the second embodiment is an alternative mode of the first embodiment to eliminate a power button and a clip of the first embodiment;  
FIG. 11 is a rear view thereof according to the second embodiment;  
FIG. 12 is a left view thereof according to the second embodiment;  
FIG. 13 is a right view thereof according to the second embodiment;  
FIG. 14 is a top view thereof according to the second embodiment;  
FIG. 15 is a bottom view thereof according to the second embodiment;  
FIG. 16 is a front perspective view thereof according to the second embodiment;  
FIG. 17 is a rear perspective view thereof according to the second embodiment; and,  
FIG. 18 is a bottom perspective view thereof according to the second embodiment.

**1 Claim, 18 Drawing Sheets**



(58) **Field of Classification Search**

CPC . F21L 13/08; F21L 14/02; F21L 17/00; F21L  
19/00; F21L 25/00

See application file for complete search history.

(56) **References Cited**

U.S. PATENT DOCUMENTS

D659,272 S *	5/2012	Nguyen .....	D26/49
D685,939 S *	7/2013	Cooper .....	D26/49
D703,358 S *	4/2014	Shiu .....	D26/49
D743,598 S *	11/2015	Inskeep .....	D26/39
D744,137 S *	11/2015	Ma .....	D26/49
D769,496 S *	10/2016	Inskeep .....	D26/49
D774,229 S *	12/2016	Prieto .....	D26/49
D786,466 S *	5/2017	Prieto .....	D26/49
D861,215 S *	9/2019	Sharrah .....	D26/49

\* cited by examiner

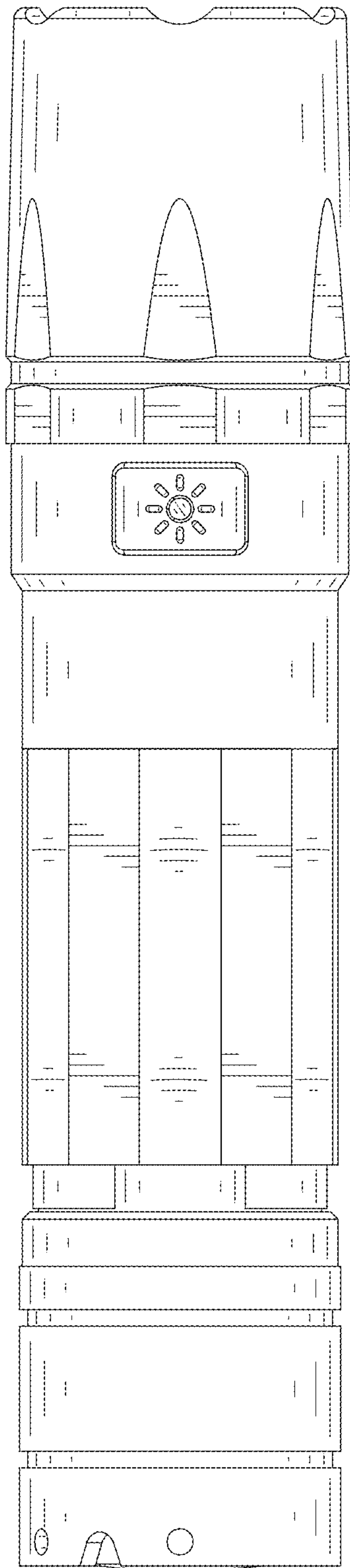


FIG.1

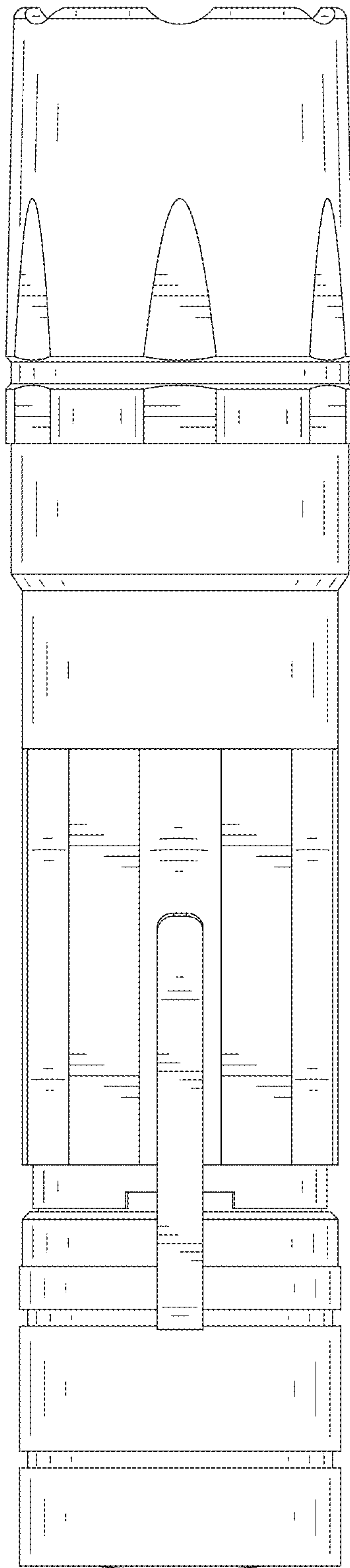


FIG.2

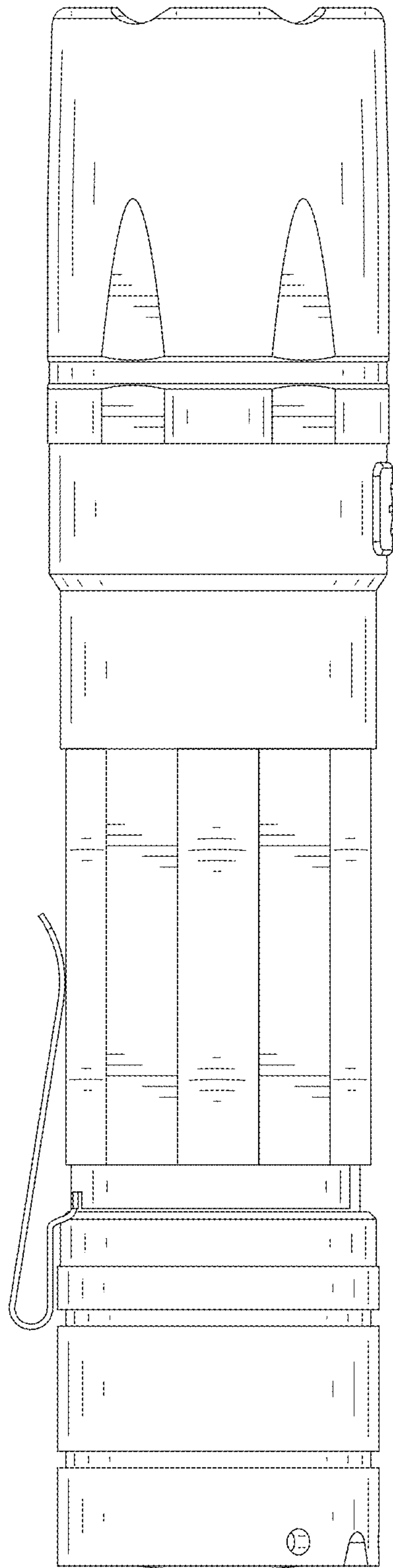


FIG.3

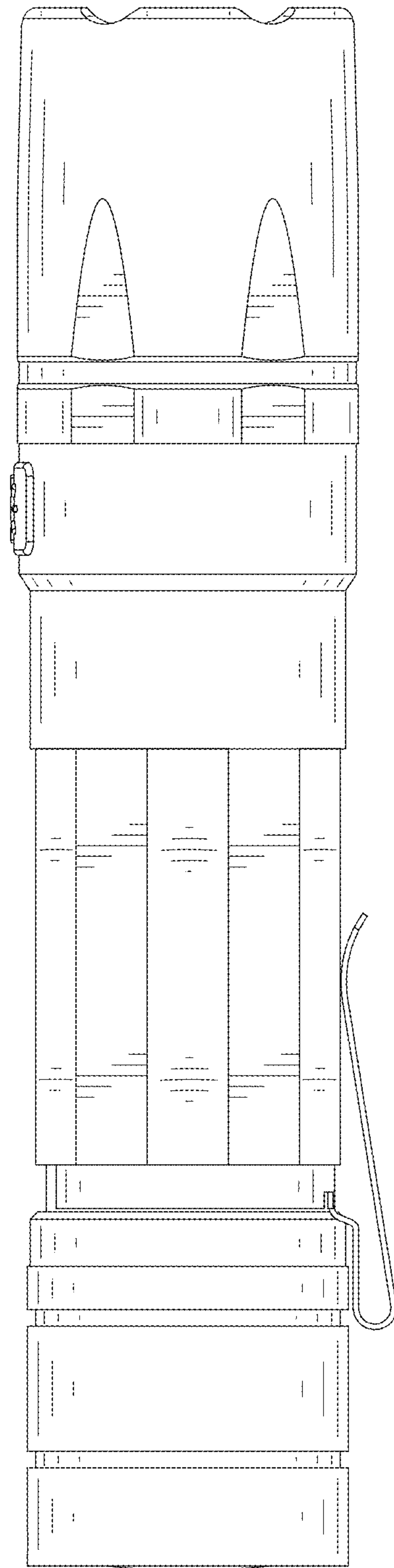


FIG.4

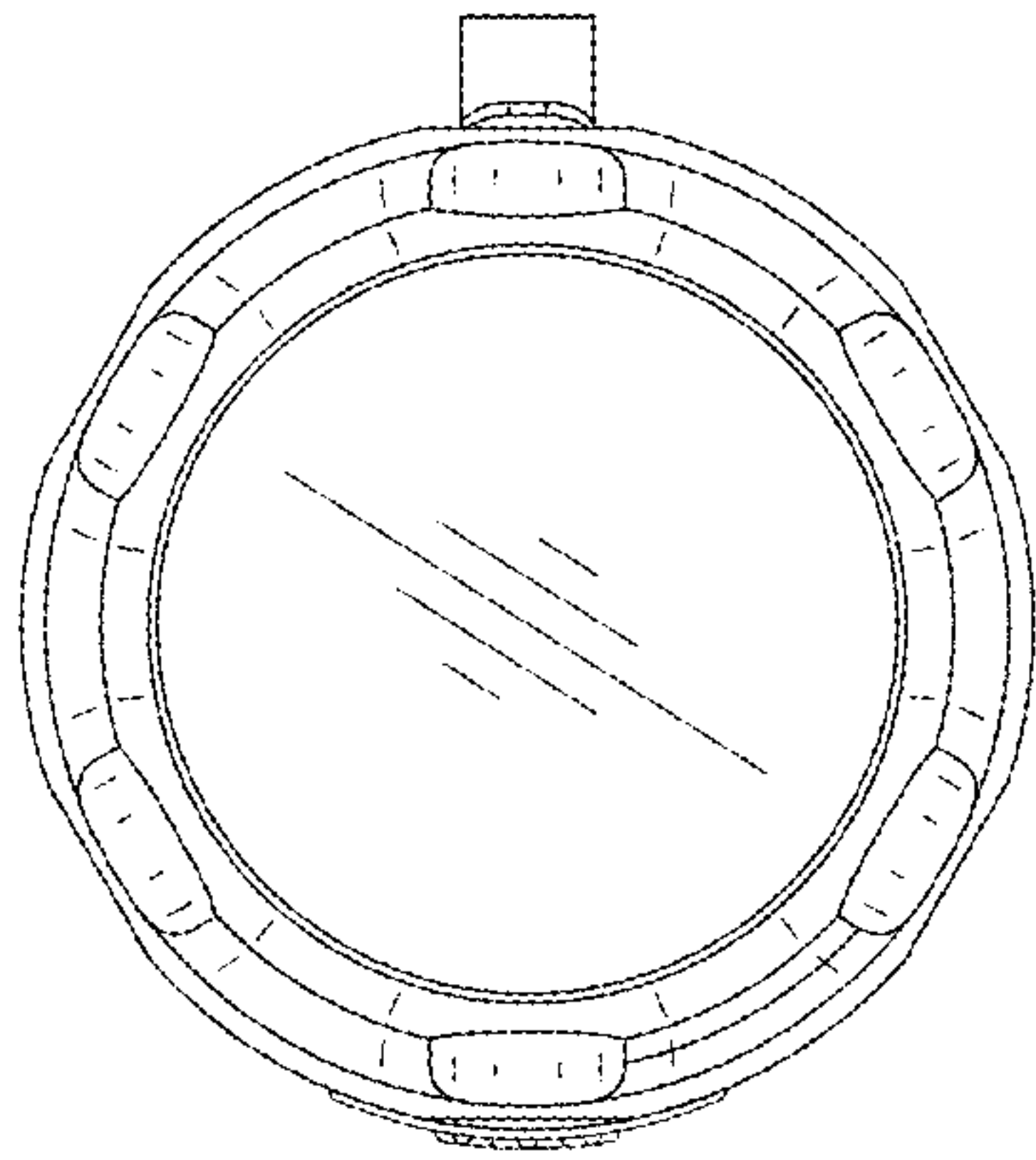


FIG.5

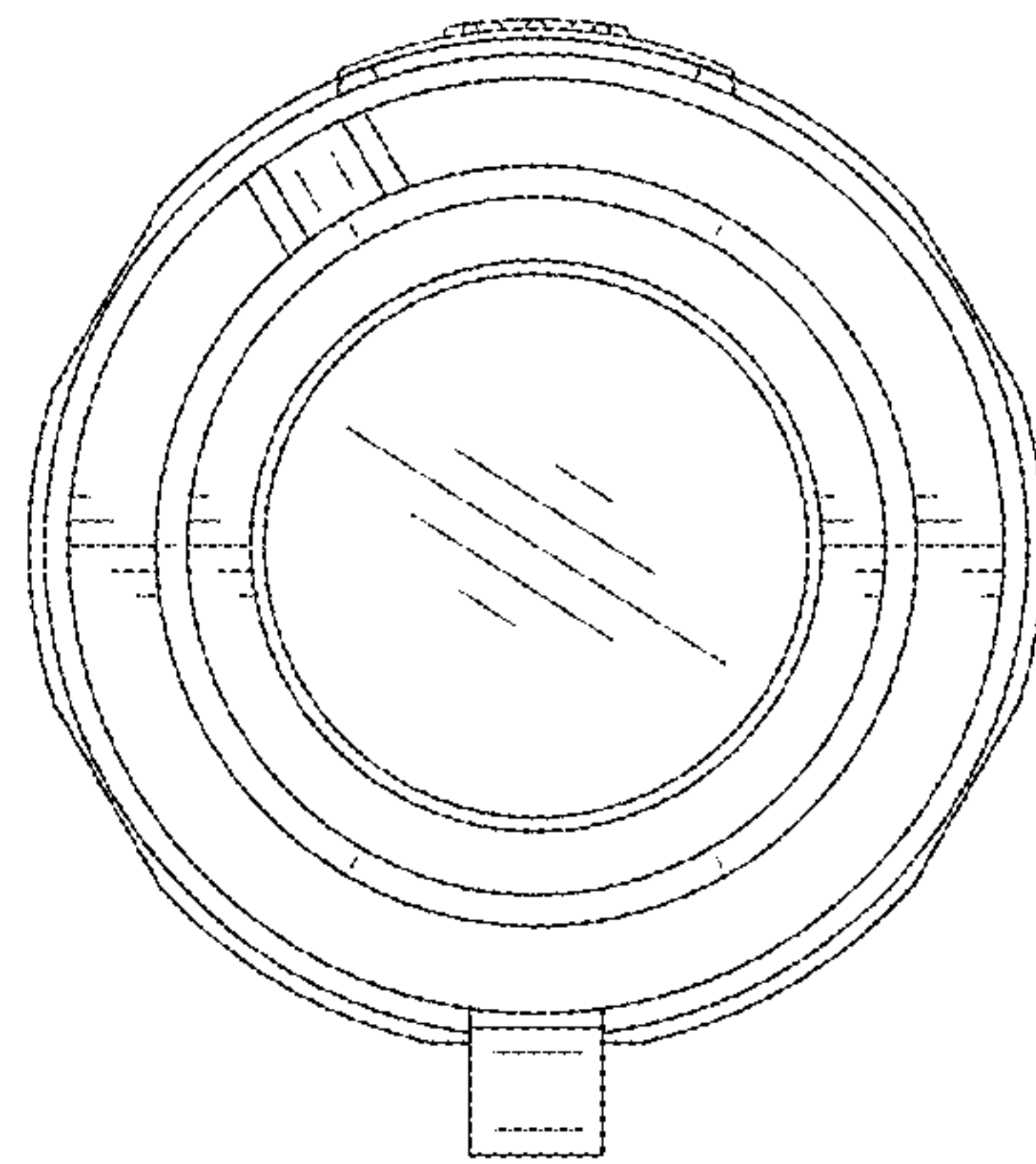


FIG.6



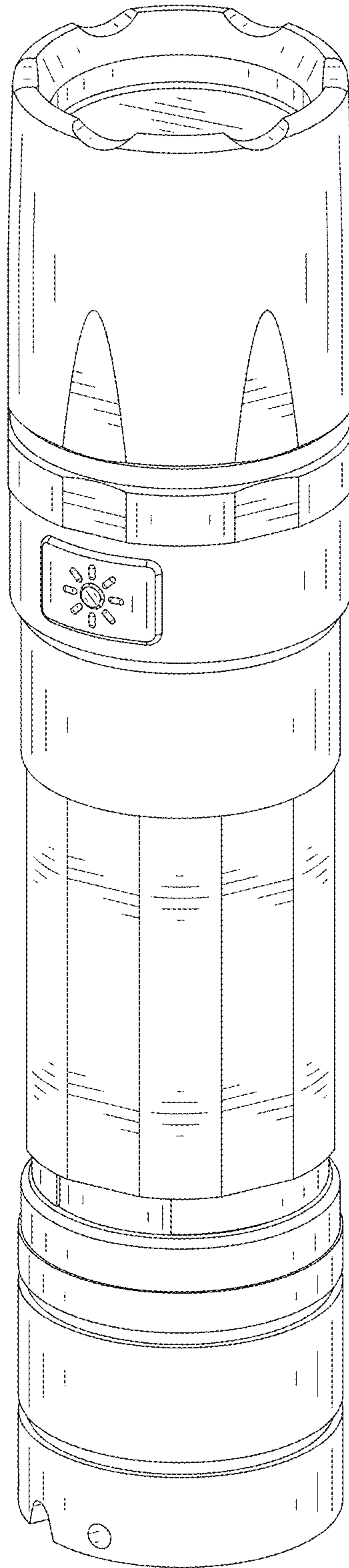


FIG.7

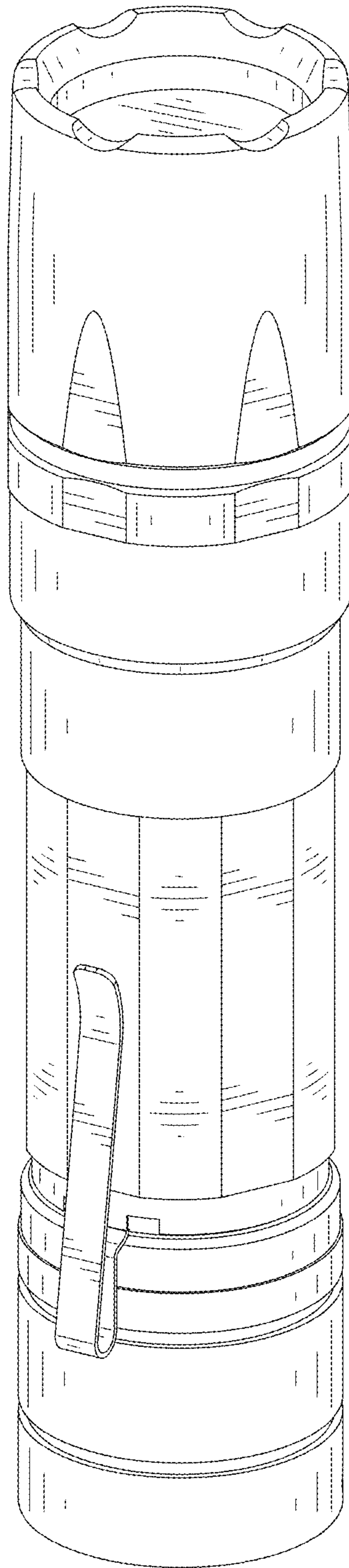


FIG.8

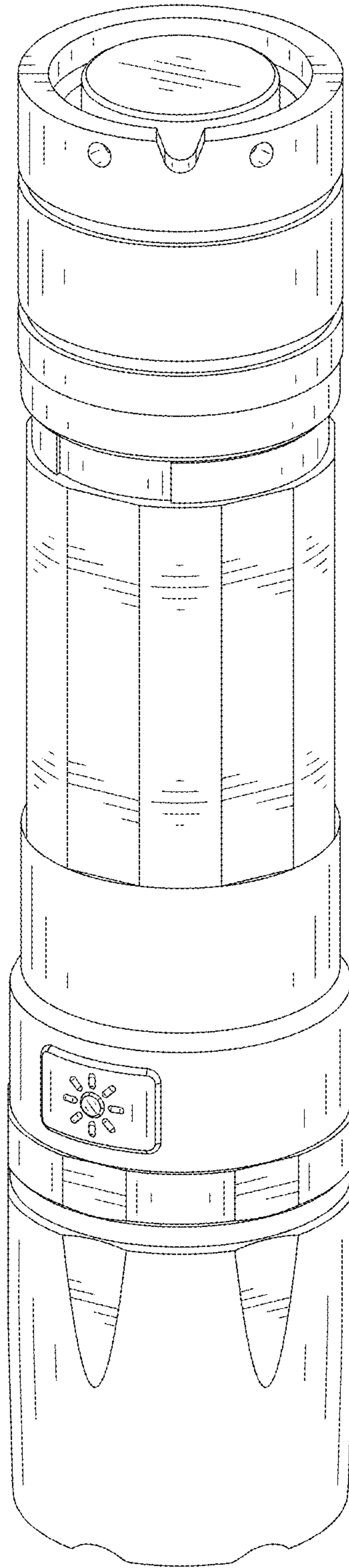


FIG.9

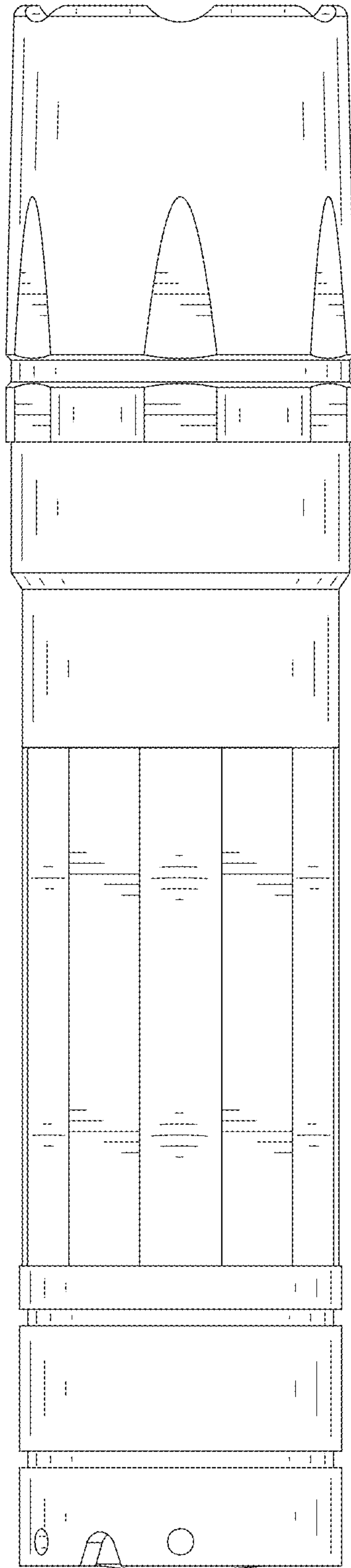


FIG.10

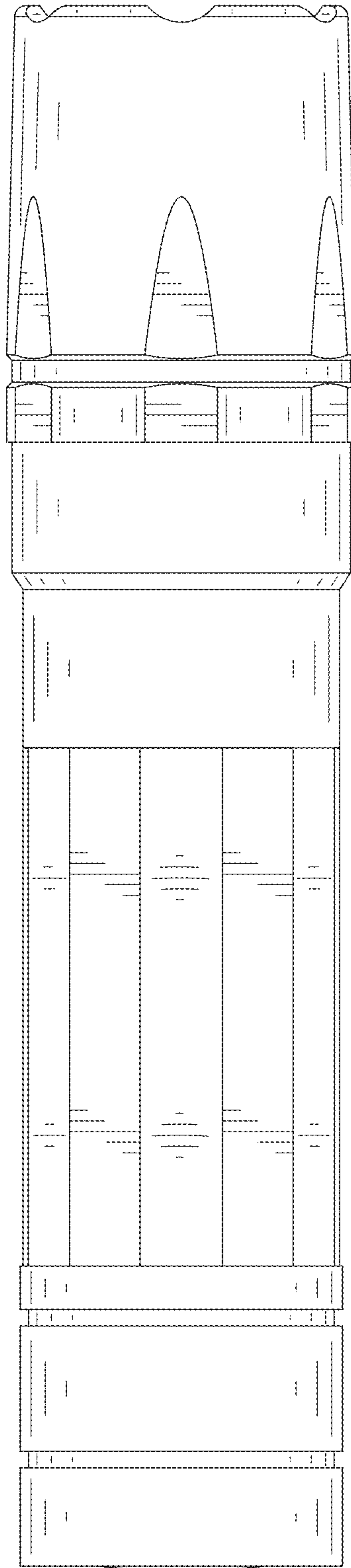


FIG.11

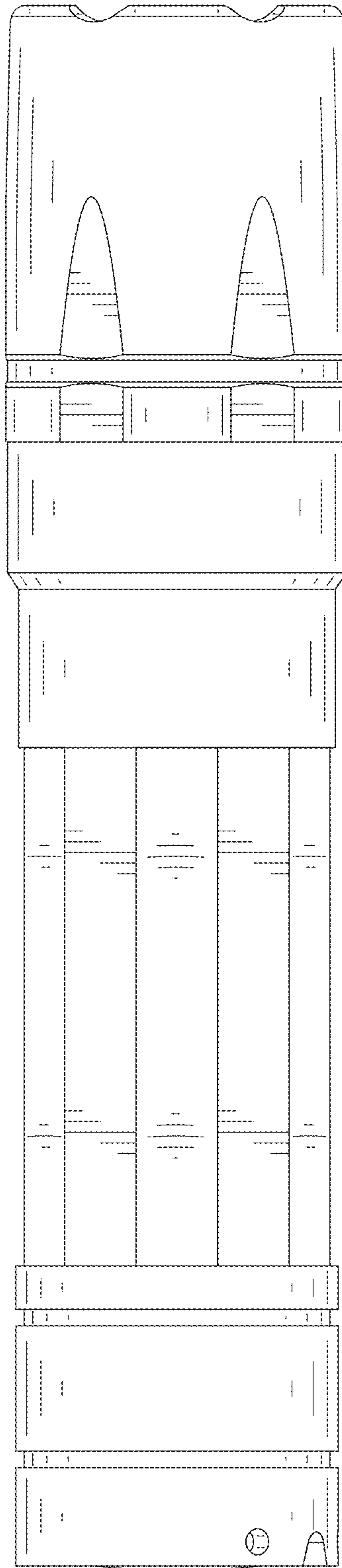


FIG.12

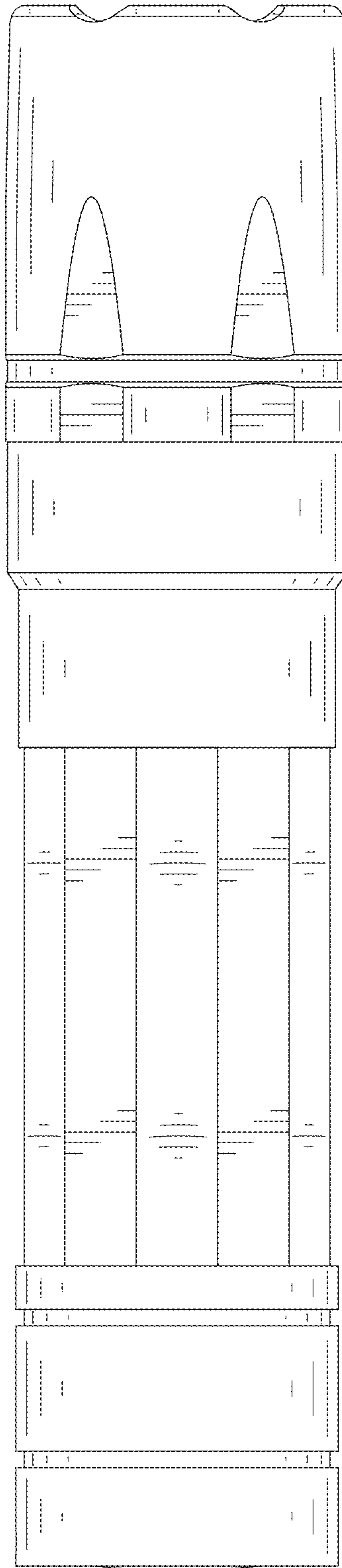


FIG.13

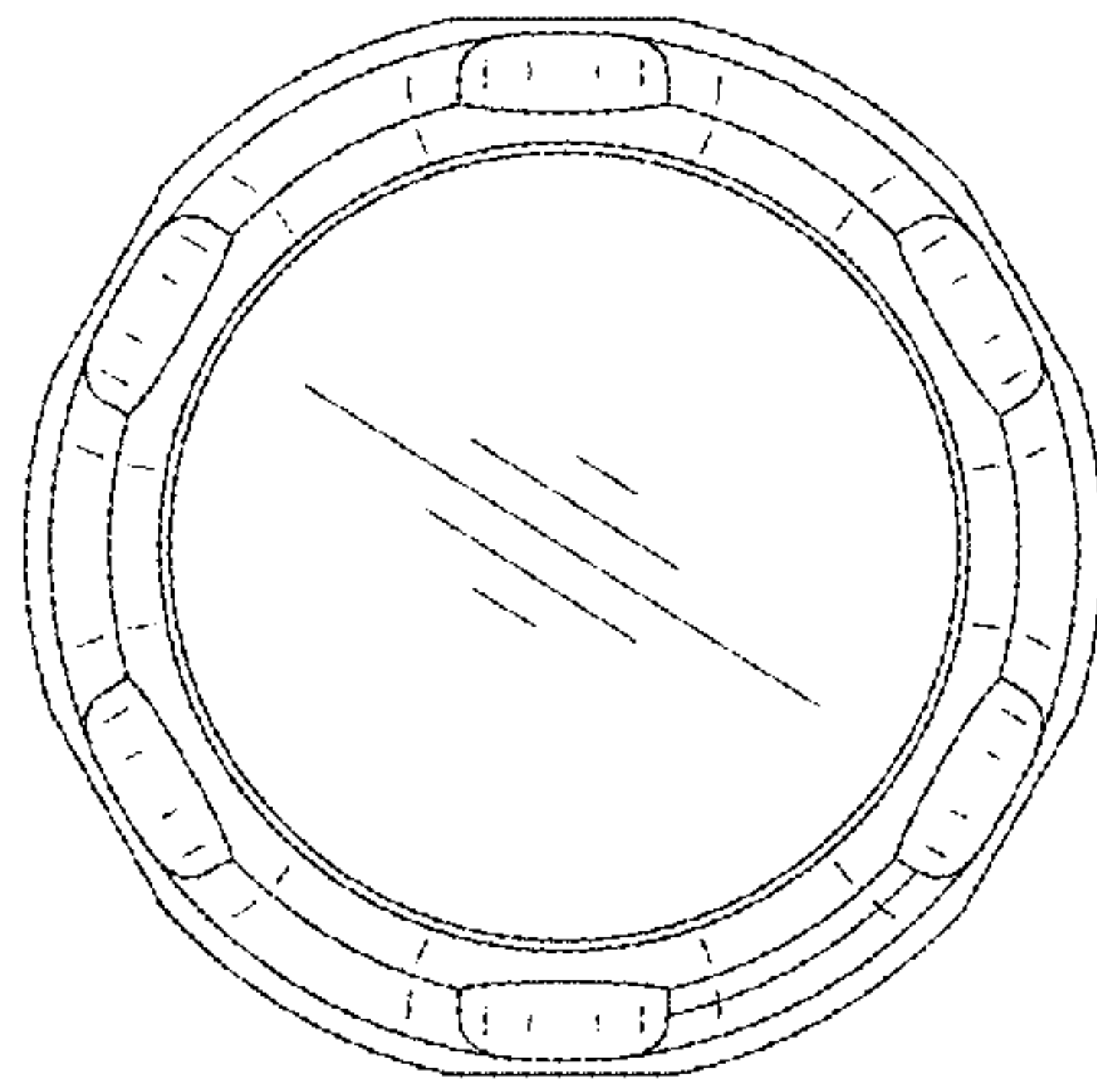


FIG.14



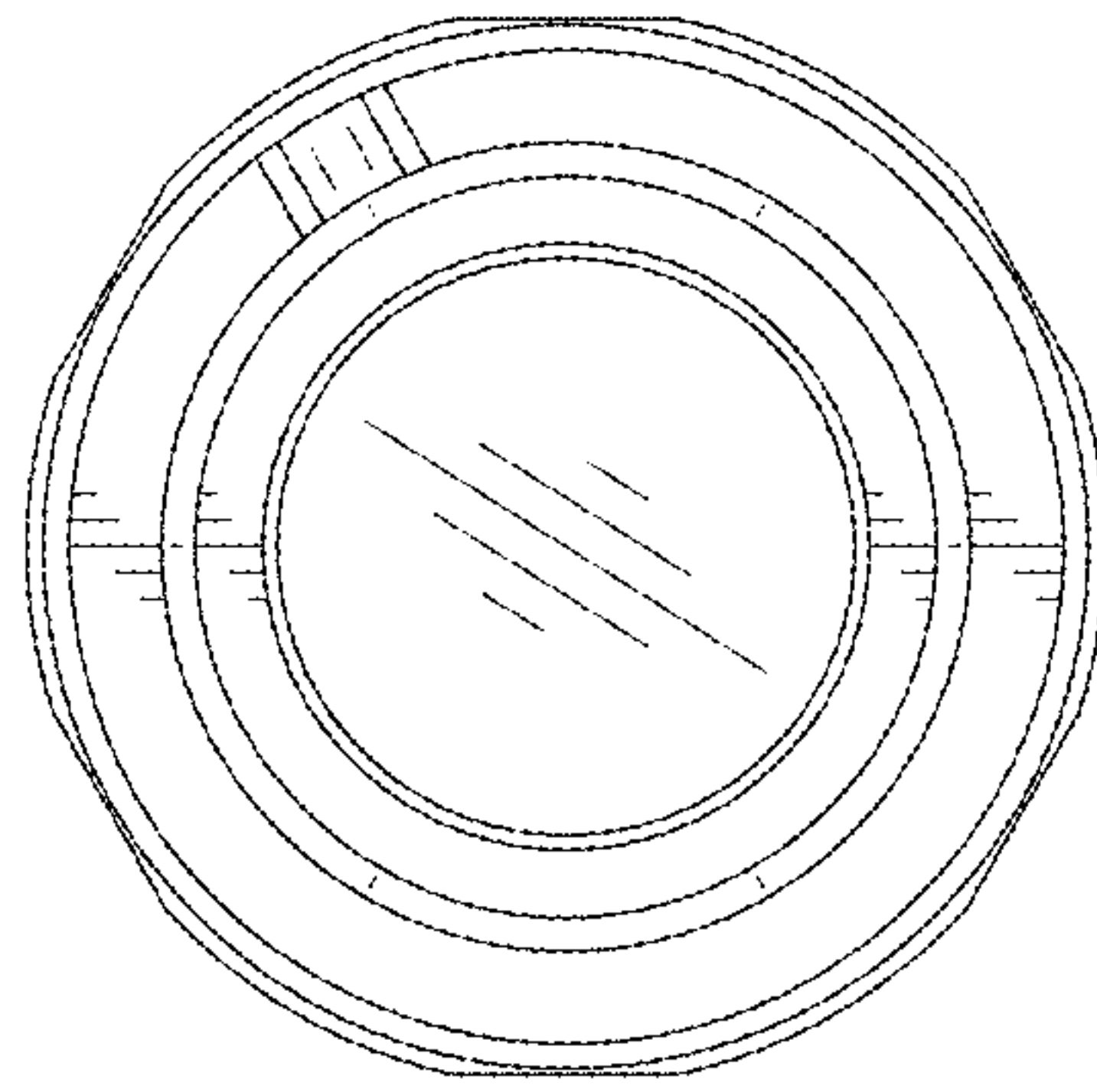


FIG.15

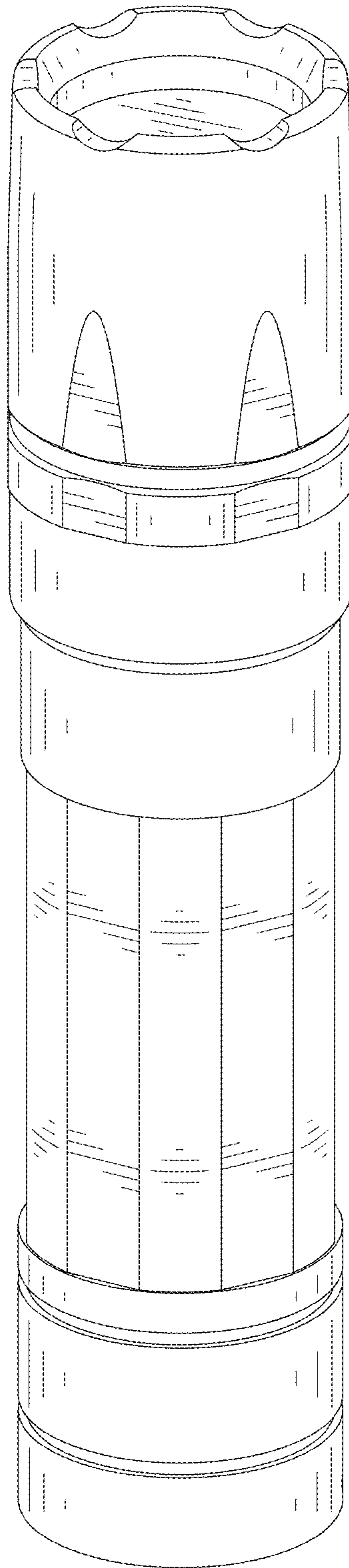


FIG.16

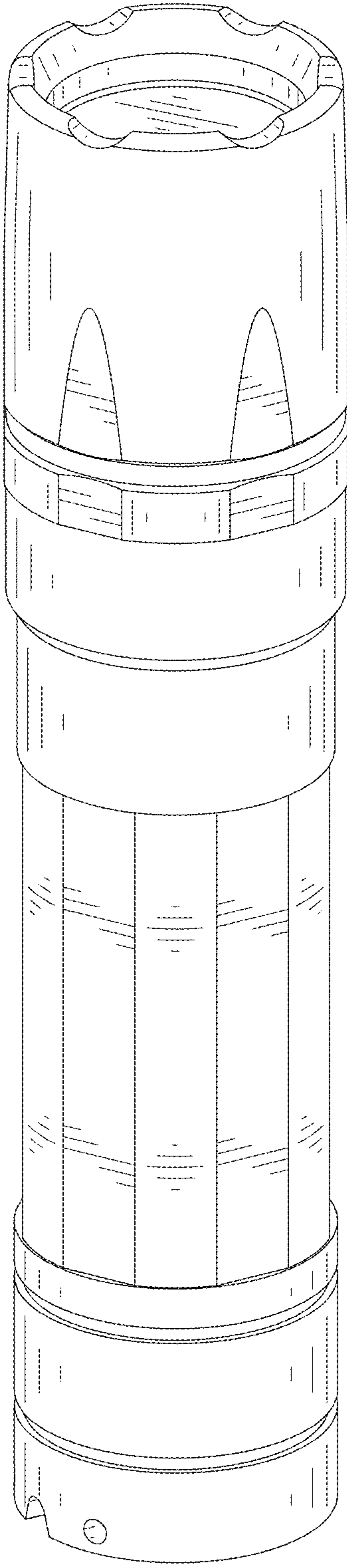


FIG.17

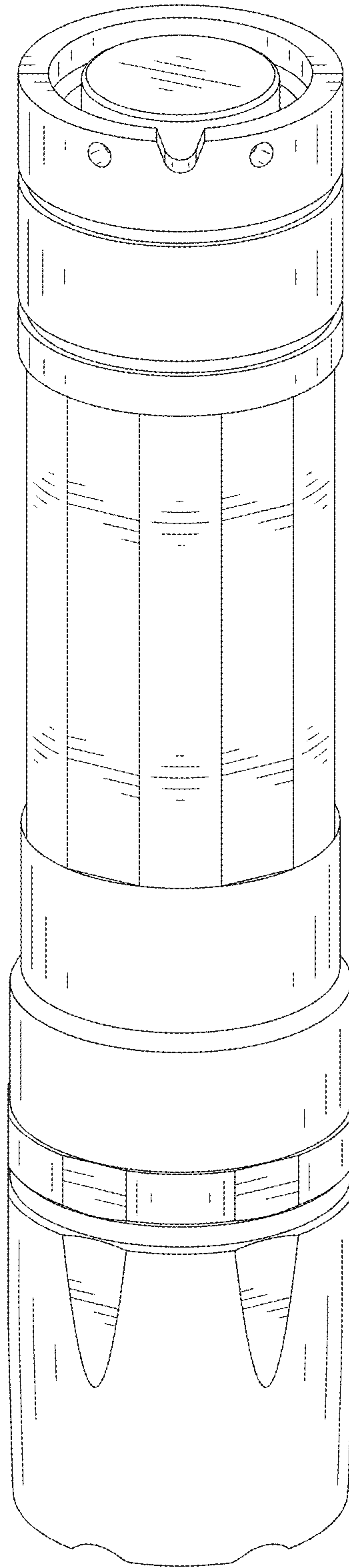


FIG.18