

US00D895865S

(12) **United States Design Patent** (10) **Patent No.:** **US D895,865 S**
Cha et al. (45) **Date of Patent:** **** Sep. 8, 2020**

(54) **REAR COMBINATION LAMP FOR AN AUTOMOBILE**

F21V 21/04; B60Q 1/30; B60Q 1/2607; B60Q 1/2696; B62J 6/00; B62J 6/04

See application file for complete search history.

(71) Applicants: **Hyundai Motor Company**, Seoul (KR); **Kia Motors Corporation**, Seoul (KR)

(56) **References Cited**

U.S. PATENT DOCUMENTS

(72) Inventors: **Yu Ra Cha**, Seoul (KR); **Da Young Jeong**, Seongnam-si (KR); **Yun Seok Oh**, Ansan-si (KR); **Hyeong Seon Kim**, Gunpo-si (KR); **Oh Young Kwon**, Suwon-si (KR); **Jae Min Choi**, Cheongju-si (KR)

D689,637 S *	9/2013	Kim	D26/28
D696,442 S *	12/2013	Kim	D26/28
D705,969 S *	5/2014	Park	D26/28
D743,063 S *	11/2015	Park	D26/28
D785,836 S *	5/2017	Lee	D26/28
D834,226 S *	11/2018	Lee	D26/28
D869,716 S *	12/2019	Shim	D26/36
D869,717 S *	12/2019	Shim	D26/36
D870,333 S *	12/2019	Choi	D26/28
D871,632 S *	12/2019	Kim	D26/28
D880,739 S *	4/2020	Thiebaud	D26/28

(73) Assignees: **Hyundai Motor Company**, Seoul (KR); **Kia Motors Corporation**, Seoul (KR)

* cited by examiner

(**) Term: **15 Years**

Primary Examiner — Natasha Vujcic

(21) Appl. No.: **35/507,152**

(74) *Attorney, Agent, or Firm* — Mintz Levin Cohn Ferris Glovsky and Popeo, P.C.; Peter F. Corless; Carolina E. Säve

(22) Filed: **Jan. 22, 2019**

(80) **Hague Agreement Data**

Int. Filing Date: **Jan. 22, 2019**

Int. Reg. No.: **DM/201425**

Int. Reg. Date: **Jan. 22, 2019**

Int. Reg. Pub. Date: **Aug. 2, 2019**

(57) **CLAIM**

The ornamental design for a rear combination lamp for an automobile, as shown and described.

(30) **Foreign Application Priority Data**

Aug. 31, 2018 (KR) 30-2018-0040818

(51) **LOC (12) Cl.** **26-06**

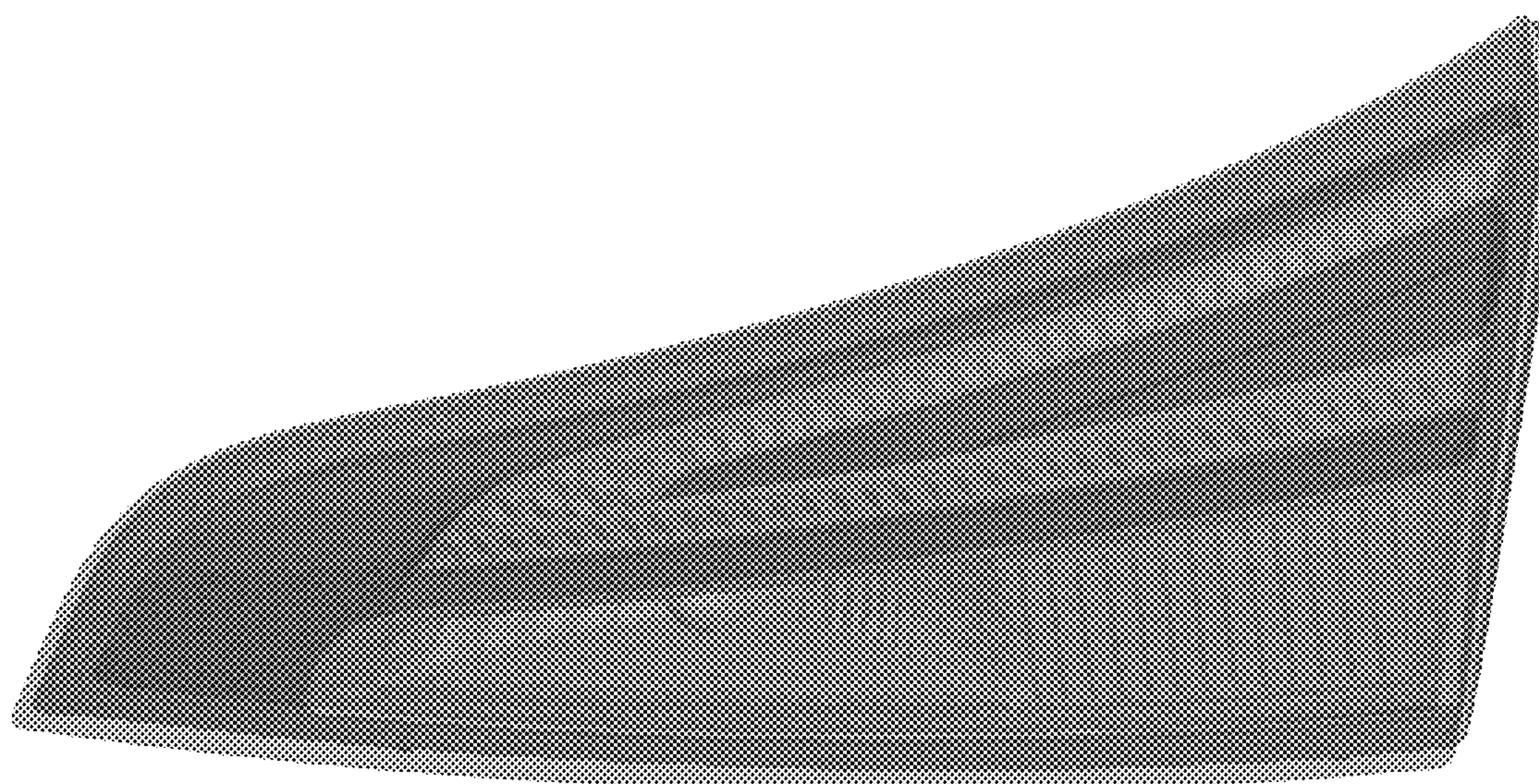
(52) **U.S. Cl.**
USPC **D26/28**

(58) **Field of Classification Search**
USPC D26/28
CPC F21S 48/00; F21S 48/10; F21S 48/115; F21S 48/225; F21S 48/1233; F21S 48/1266; F21S 48/1388; F21S 48/2266;

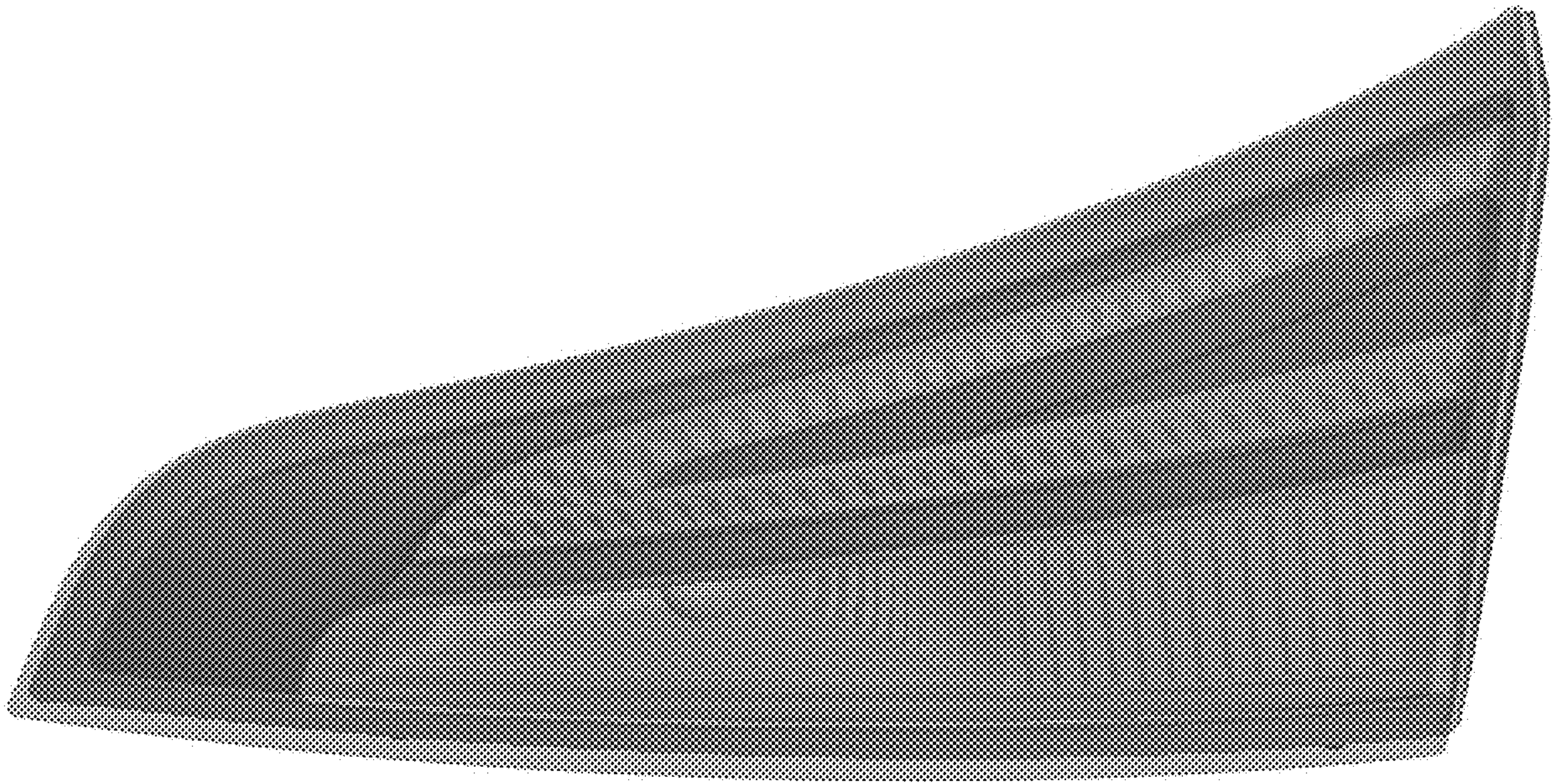
DESCRIPTION

1. Rear combination lamp for an automobile
 - 1.1 : Perspective
 - 1.2 : Front
 - 1.3 : Back
 - 1.4 : Left
 - 1.5 : Right
 - 1.6 : Top
 - 1.7 : Bottom

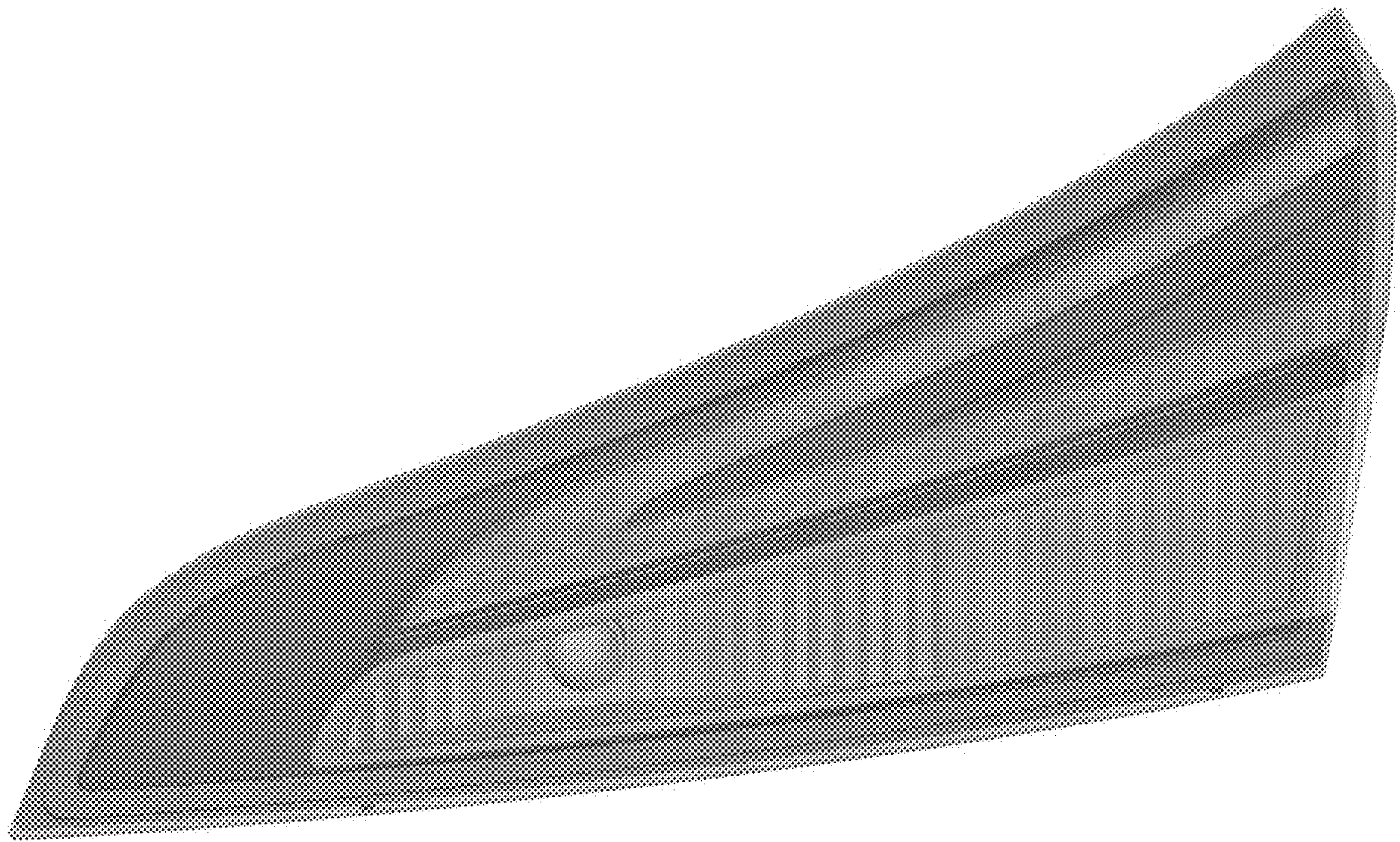
1 Claim, 7 Drawing Sheets



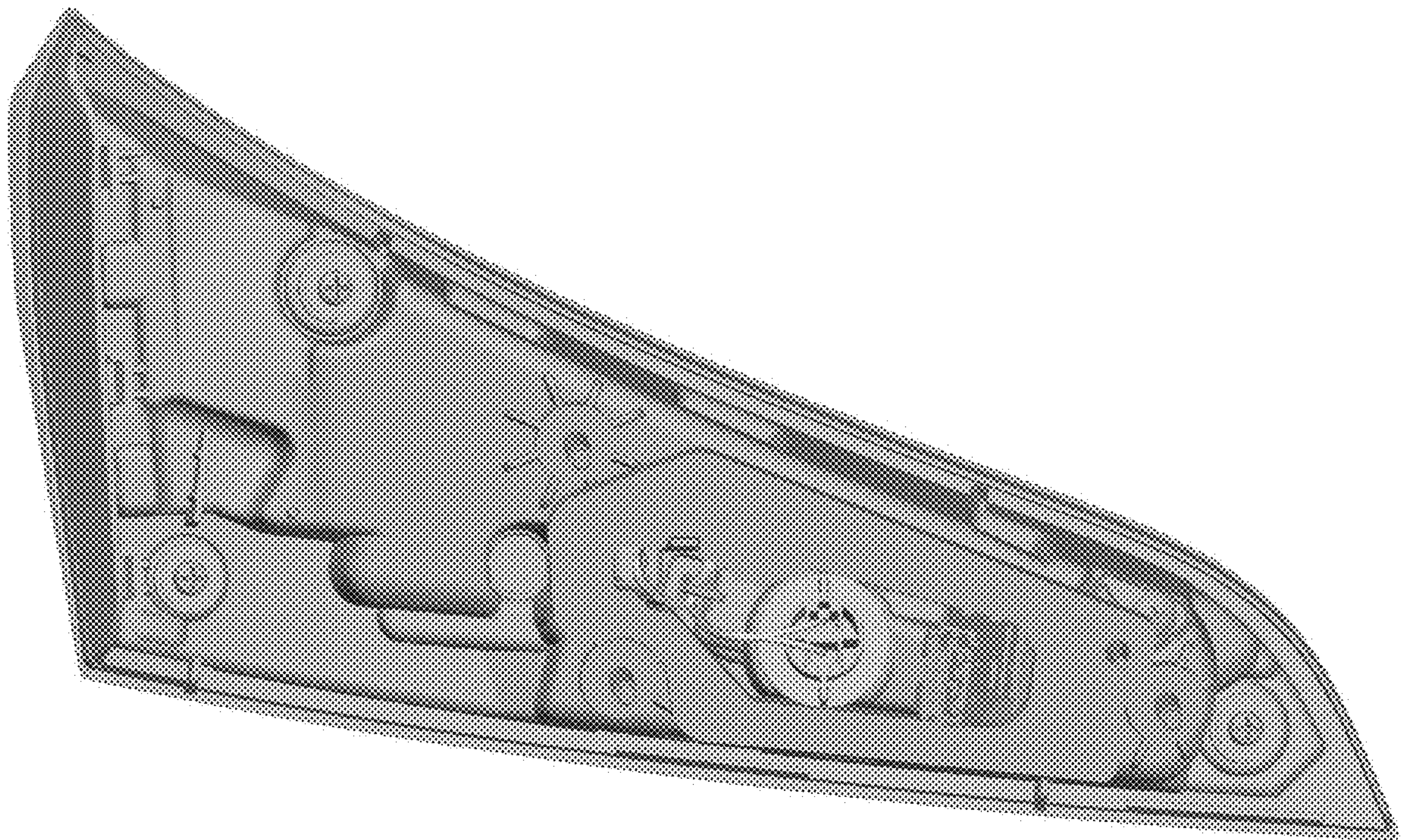
1.1



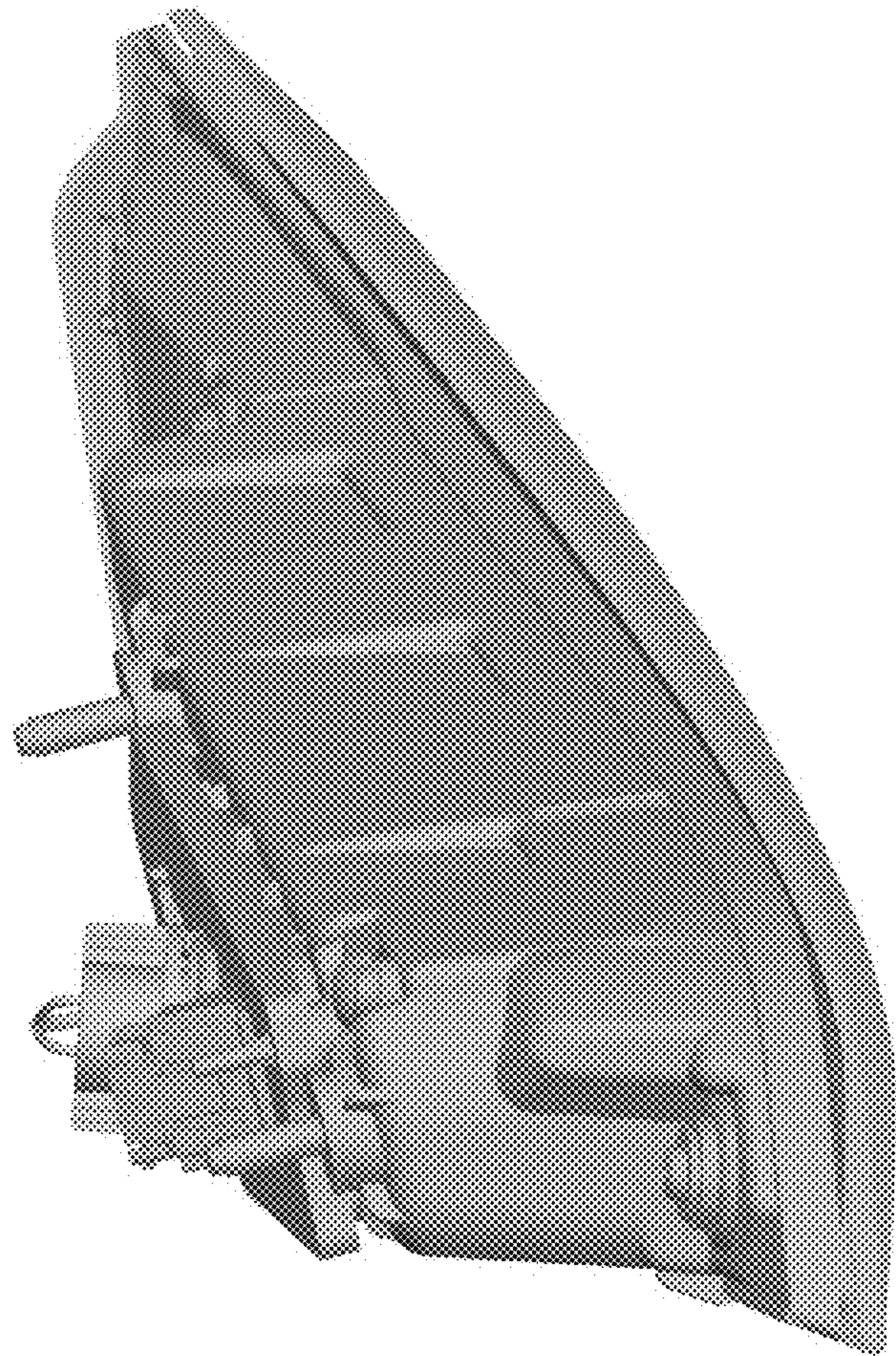
1.2



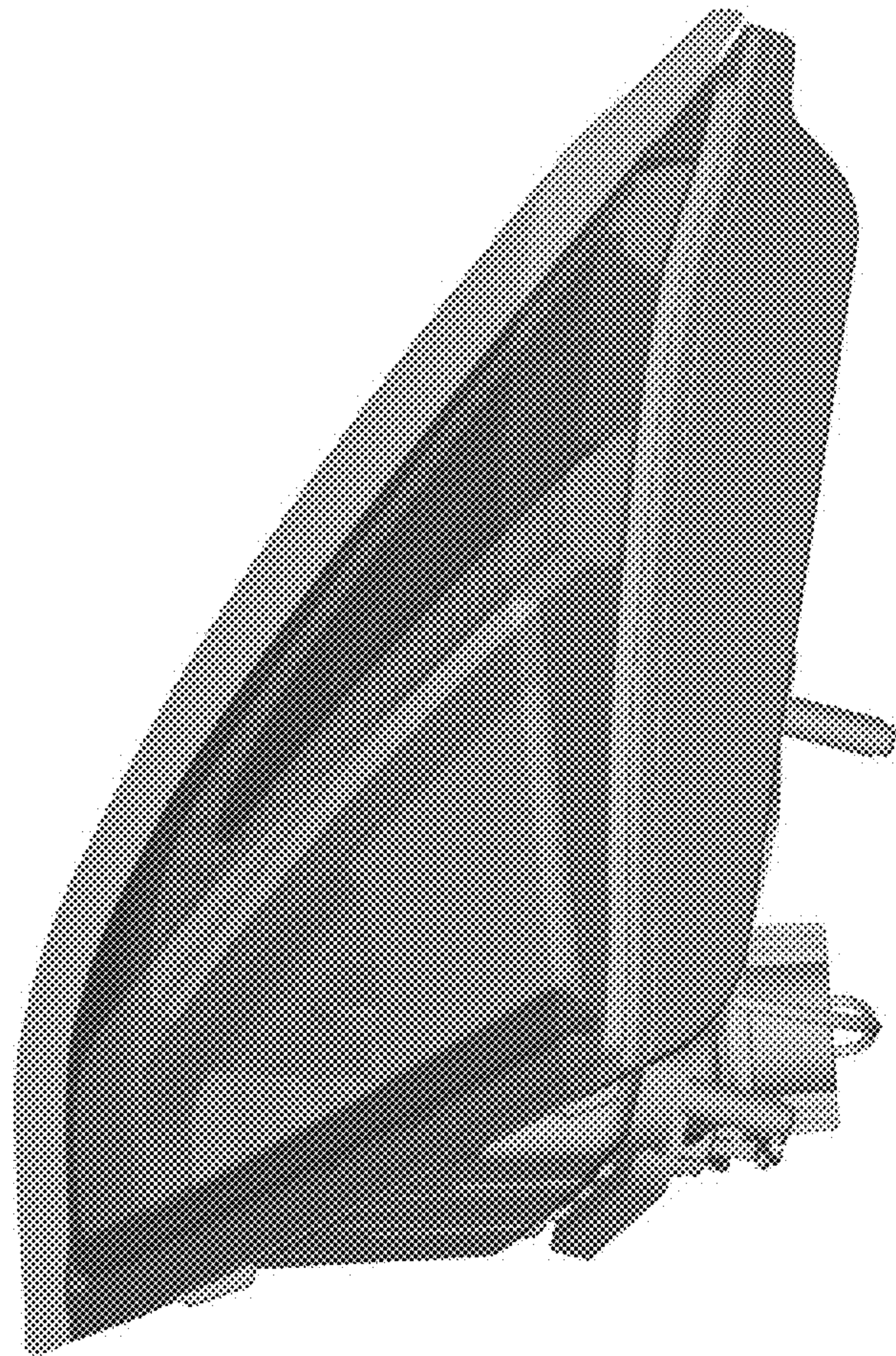
1.3



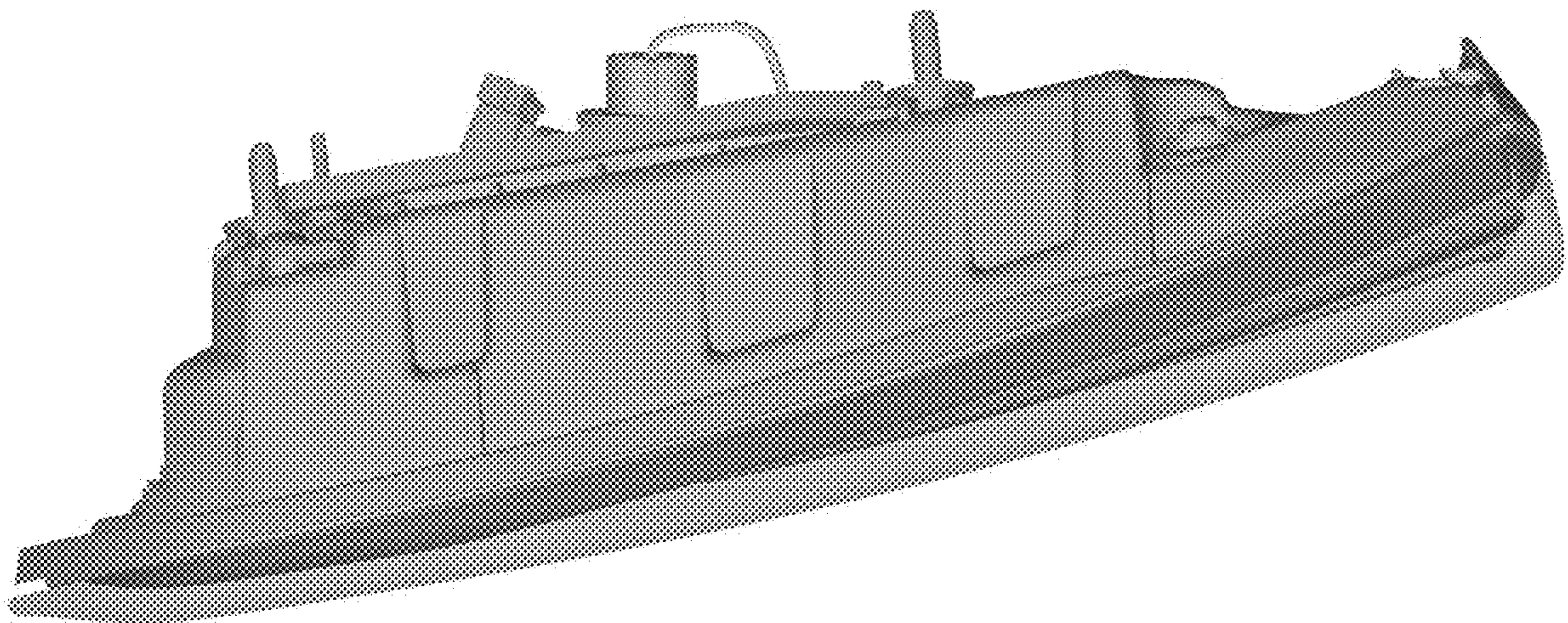
1.4



1.5



1.6



1.7

