



US00D895863S

(12) **United States Design Patent** (10) **Patent No.:** **US D895,863 S**  
**Jeong et al.** (45) **Date of Patent:** **\*\* Sep. 8, 2020**

(54) **REAR COMBINATION LAMP FOR AN AUTOMOBILE**

F21V 21/04; B60Q 1/30; B60Q 1/2607; B60Q 1/2696; B62J 6/00; B62J 6/04

See application file for complete search history.

(71) Applicants: **Kia Motors Corporation**, Seoul (KR); **Hyundai Motor Company**, Seoul (KR)

(56) **References Cited**

(72) Inventors: **Da Young Jeong**, Seongnam-si (KR); **Jae Min Choi**, Cheongju-si (KR); **Oh Young Kwon**, Suwon-si (KR); **Yu Ra Cha**, Seoul (KR); **Yun Seok Oh**, Ansan-si (KR); **Hyeong Seon Kim**, Gunpo-si (KR)

U.S. PATENT DOCUMENTS

D689,637 S	*	9/2013	Kim	.....	D26/28
D696,442 S	*	12/2013	Kim	.....	D26/28
D705,969 S	*	5/2014	Park	.....	D26/28
D743,063 S	*	11/2015	Park	.....	D26/28
D785,836 S	*	5/2017	Lee	.....	D26/28
D834,226 S	*	11/2018	Lee	.....	D26/28
D869,716 S	*	12/2019	Shim	.....	D26/36
D869,717 S	*	12/2019	Shim	.....	D26/36
D870,333 S	*	12/2019	Choi	.....	D26/28
D871,632 S	*	12/2019	Kim	.....	D26/28
D880,739 S	*	4/2020	Thiebaud	.....	D26/28

(73) Assignees: **Hyundai Motor Company**, Seoul (KR); **Kia Motors Corporation**, Seoul (KR)

\* cited by examiner

(\*\*) Term: **15 Years**

*Primary Examiner* — Natasha Vujcic

(21) Appl. No.: **35/507,131**

(74) *Attorney, Agent, or Firm* — Mintz Levin Cohn Ferris Glovsky and Popeo, P.C.; Peter F. Corless; Carolina E. Säve

(22) Filed: **Jan. 22, 2019**

(80) **Hague Agreement Data**

Int. Filing Date: **Jan. 22, 2019**  
Int. Reg. No.: **DM/201426**  
Int. Reg. Date: **Jan. 22, 2019**  
Int. Reg. Pub. Date: **Aug. 2, 2019**

(57) **CLAIM**

The ornamental design for a rear combination lamp for an automobile, as shown and described.

(30) **Foreign Application Priority Data**

Aug. 31, 2018 (KR) ..... 30-2018-0040808

(51) **LOC (12) Cl.** ..... **26-06**

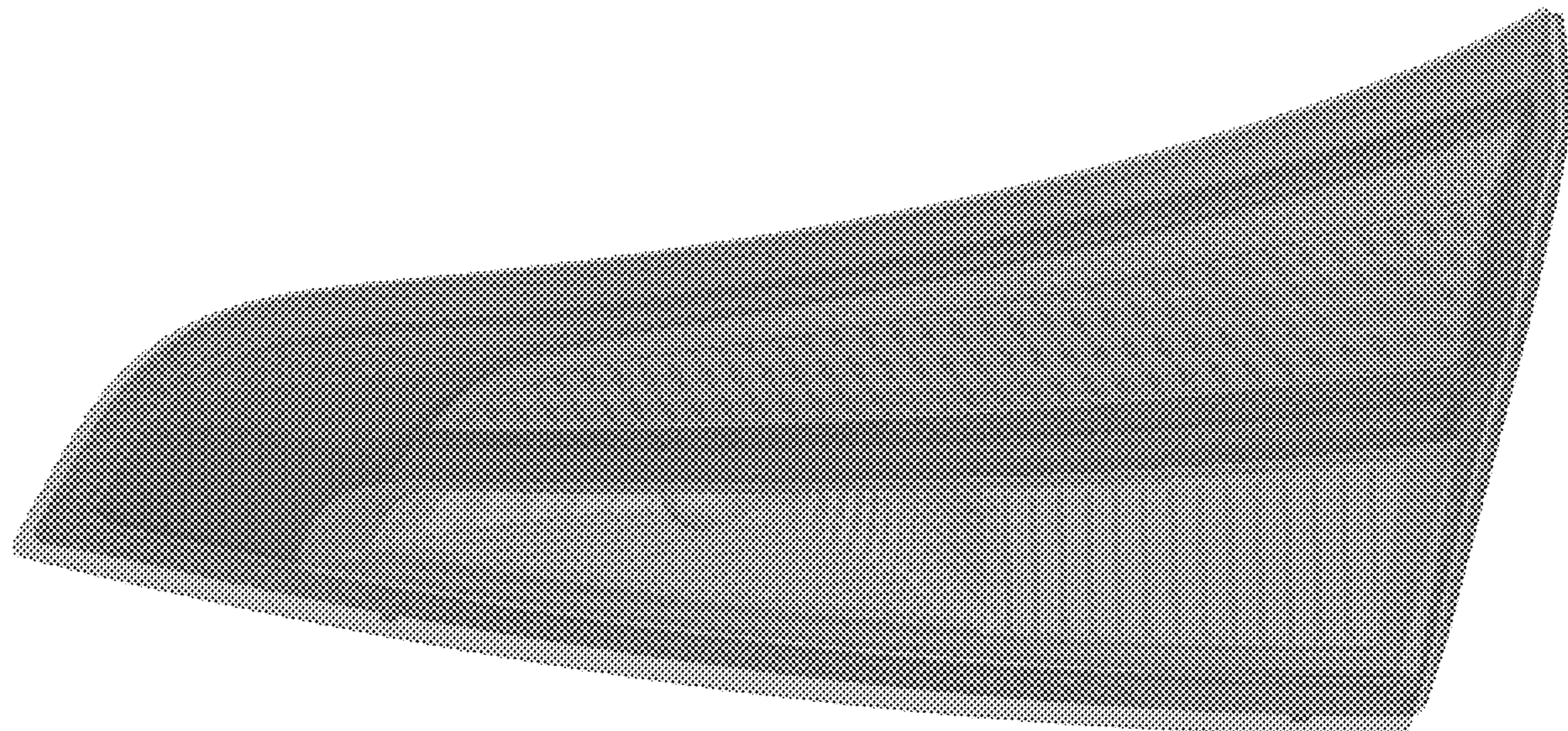
(52) **U.S. Cl.**  
USPC ..... **D26/28**

(58) **Field of Classification Search**  
USPC ..... D26/28  
CPC ..... F21S 48/00; F21S 48/10; F21S 48/115; F21S 48/225; F21S 48/1233; F21S 48/1266; F21S 48/1388; F21S 48/2266;

**DESCRIPTION**

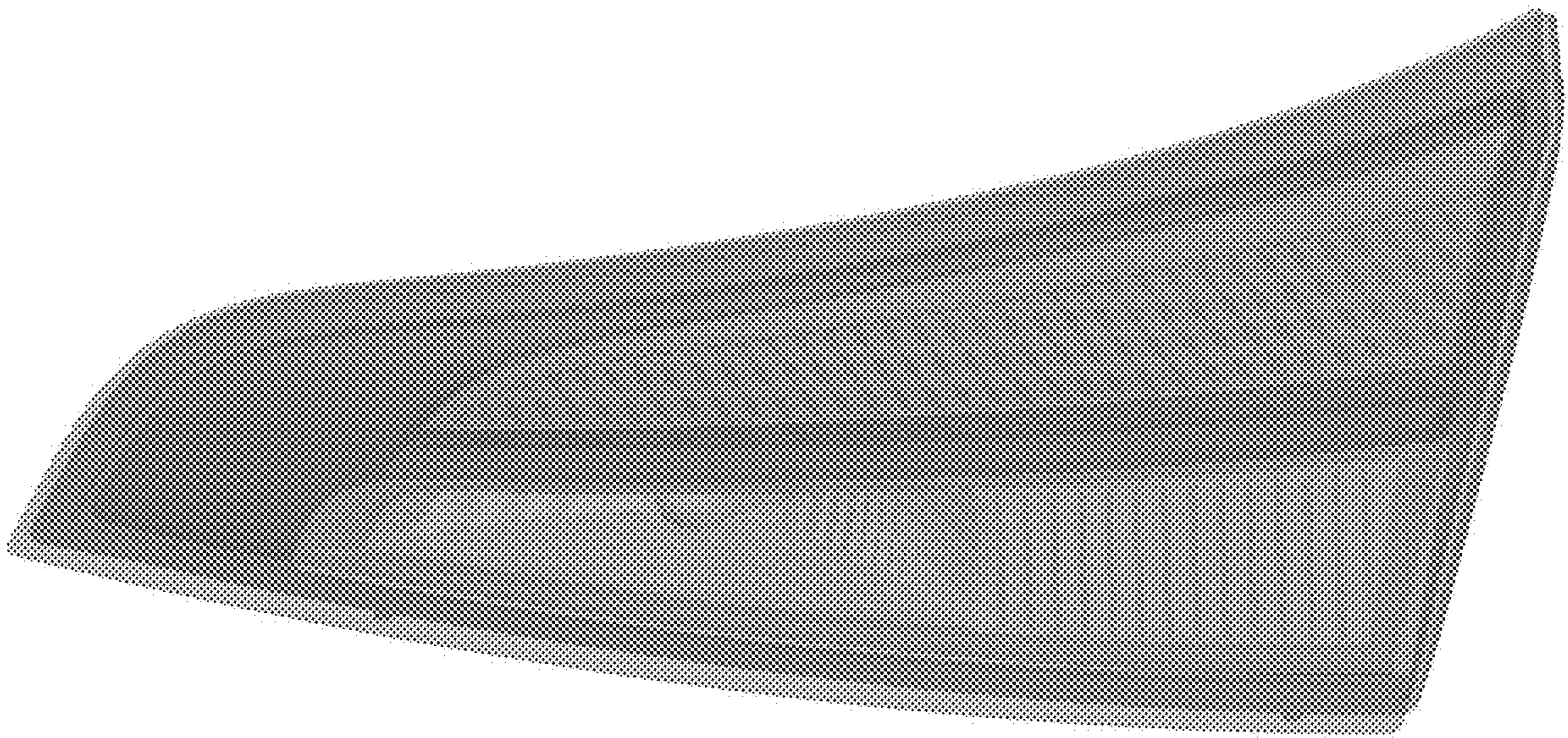
- 1. Rear combination lamp for an automobile
- 1.1 : Perspective
- 1.2 : Front
- 1.3 : Back
- 1.4 : Left
- 1.5 : Right
- 1.6 : Top
- 1.7 : Bottom

**1 Claim, 7 Drawing Sheets**





1.1

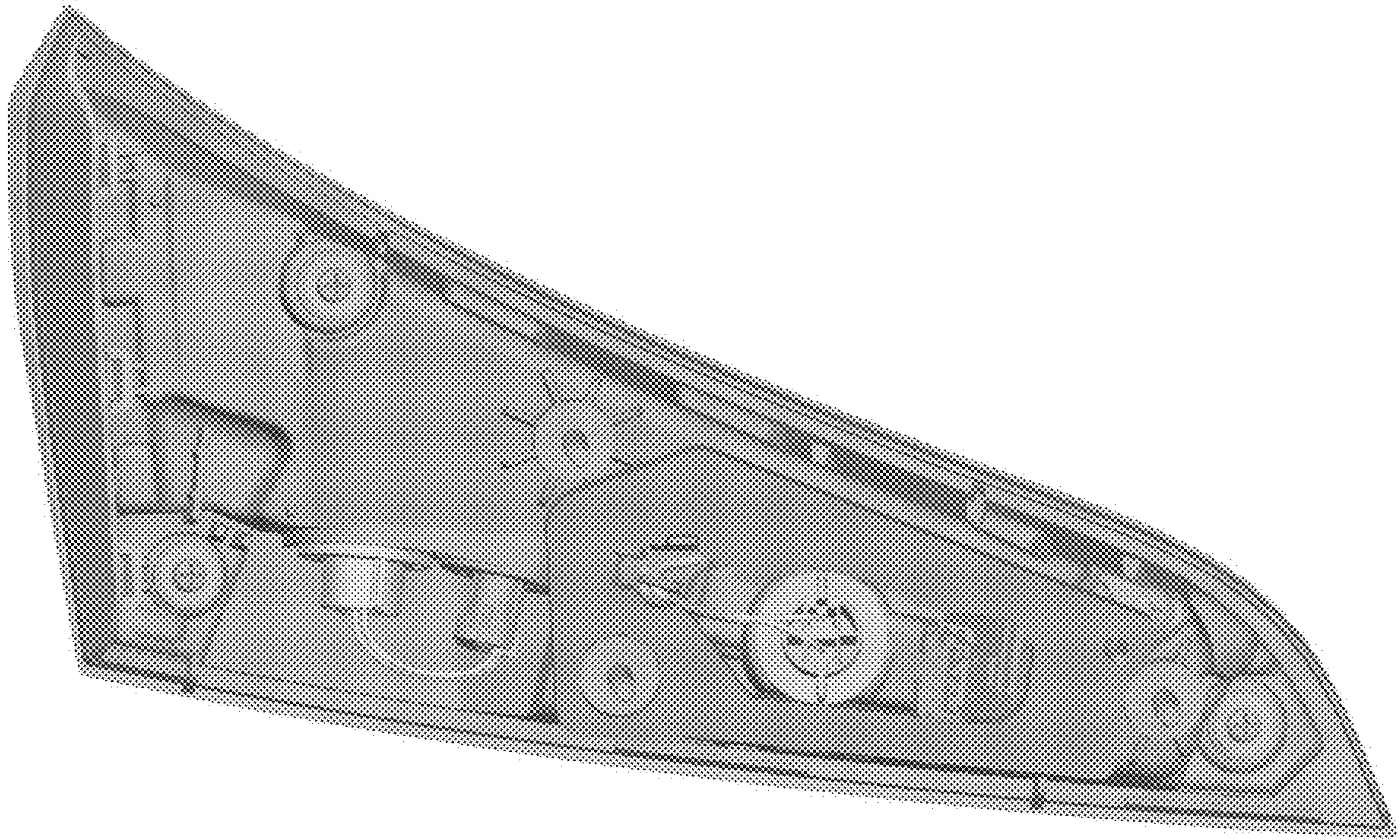


1.2

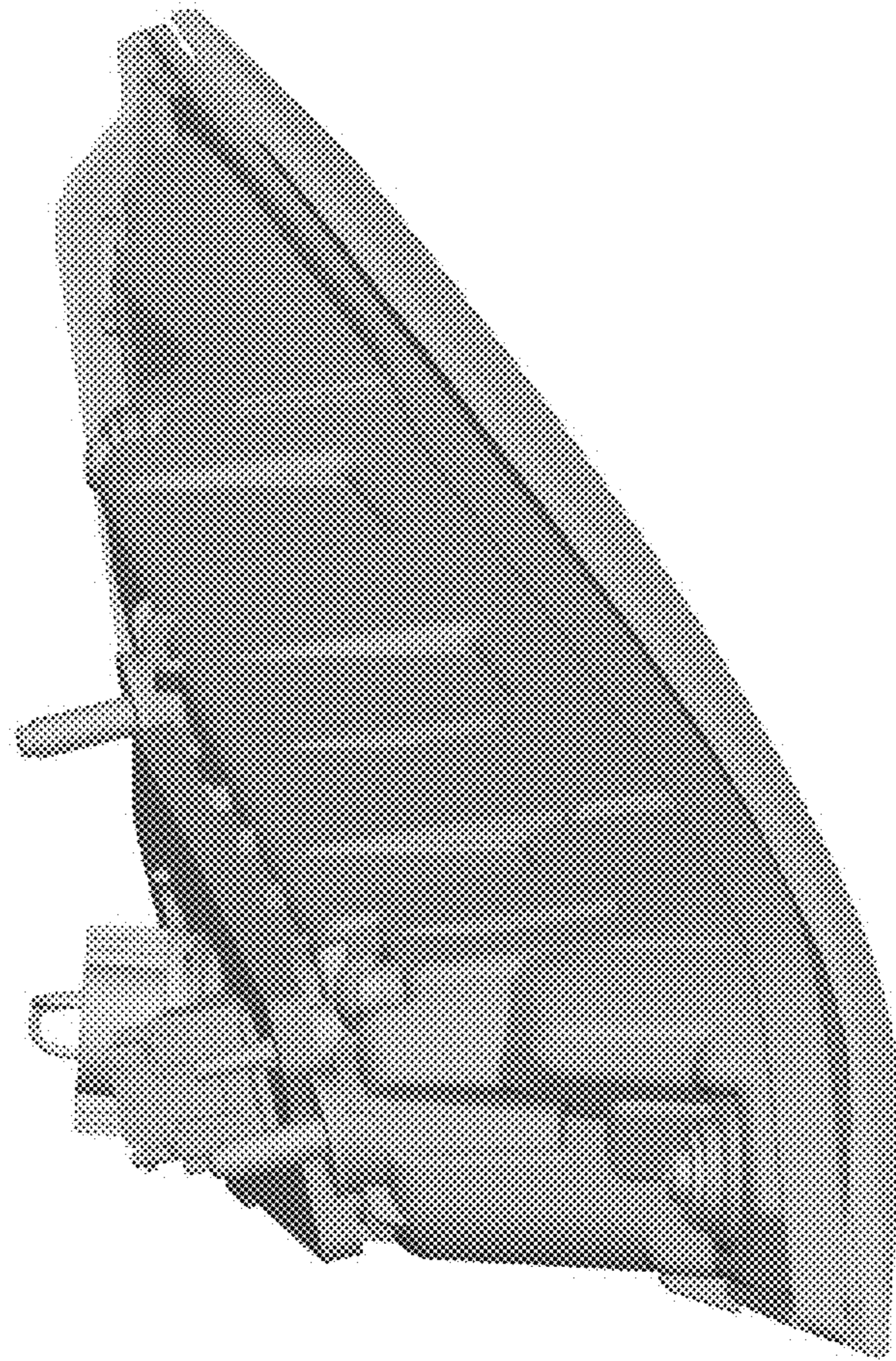




1.3

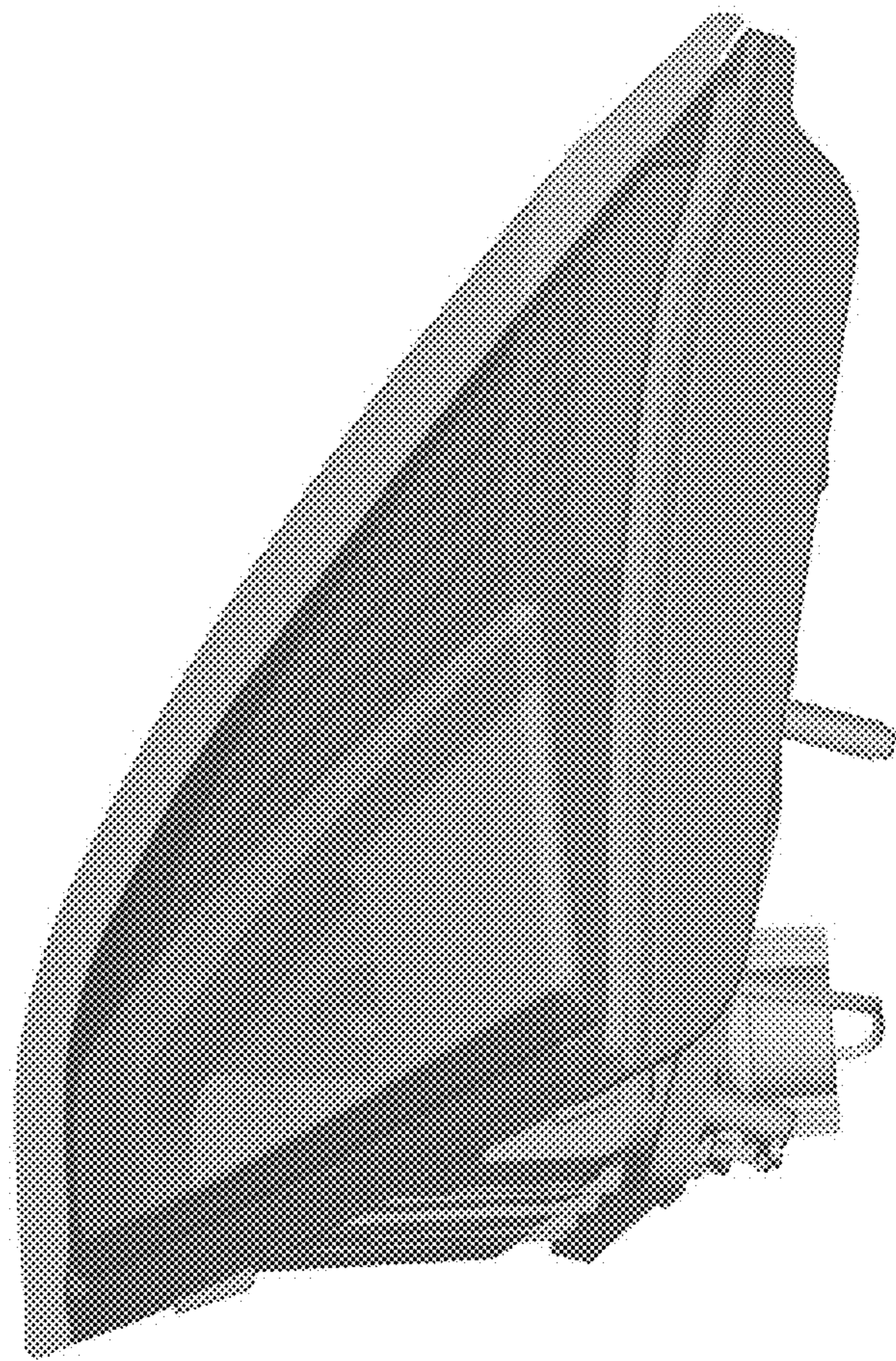


1.4

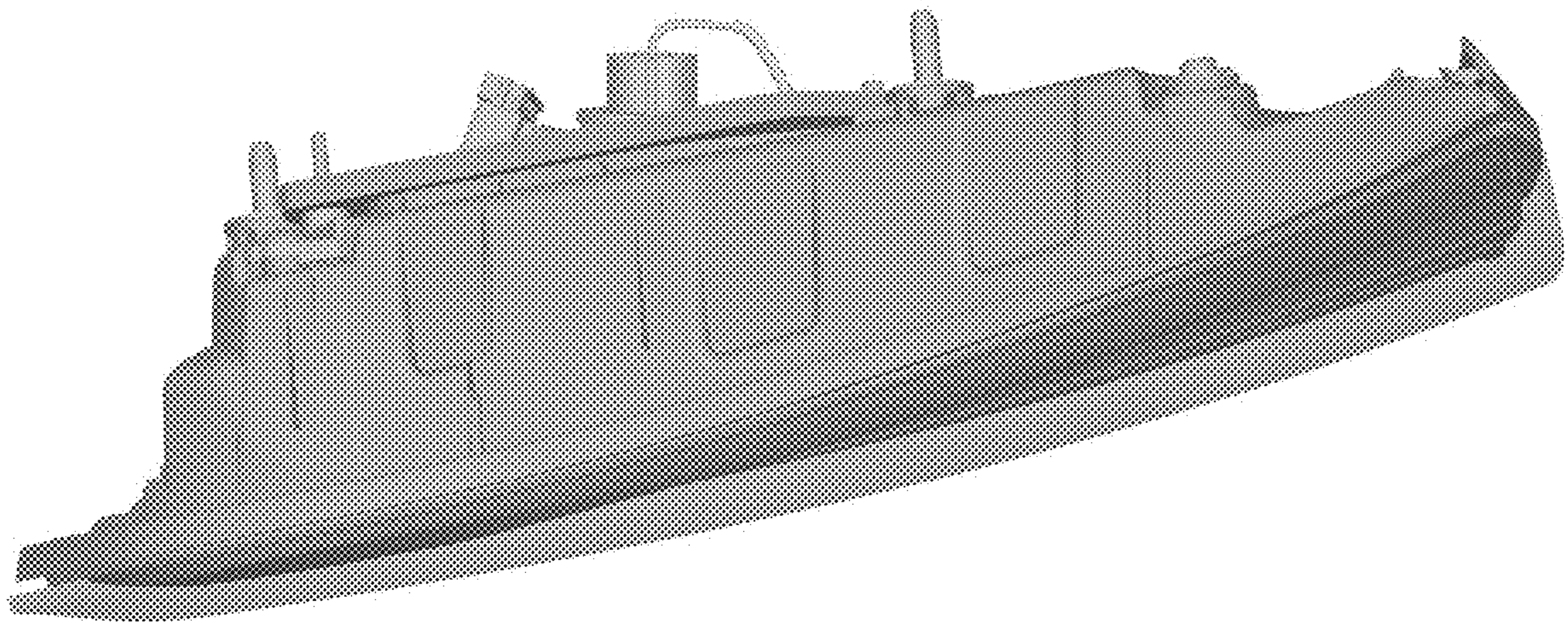




1.5



1.6





1.7

