



US00D895862S

(12) **United States Design Patent** (10) **Patent No.:** **US D895,862 S**
Lin (45) **Date of Patent:** **** Sep. 8, 2020**

(54) **AUTOMOBILE HEADLIGHT**
(71) Applicant: **Chi-Chung Lin**, Hsinchu (TW)
(72) Inventor: **Chi-Chung Lin**, Hsinchu (TW)
(**) Term: **15 Years**
(21) Appl. No.: **29/734,602**
(22) Filed: **May 13, 2020**
(51) **LOC (12) Cl.** **26-06**
(52) **U.S. Cl.**
USPC **D26/28**
(58) **Field of Classification Search**
USPC D26/28-36, 139
CPC F21S 48/00; F21S 48/10; F21S 48/115;
F21S 48/225; F21S 48/1233; F21S
48/1266; F21S 48/1388; F21S 48/2268;
F21V 21/04; F21V 29/004; B60Q 9/13;
B60Q 9/135; B60Q 9/1375
See application file for complete search history.

D728,850 S 5/2015 Beaven
D733,343 S 6/2015 Lai
D743,070 S 11/2015 Lai
D745,712 S 12/2015 O'Donnell et al.
D754,912 S 4/2016 Patel
D761,463 S * 7/2016 Lai D26/28
D762,314 S 7/2016 Luk
D765,282 S 8/2016 Lai
D766,498 S 9/2016 Hatton
D774,671 S 12/2016 Lai
D792,994 S 7/2017 Hwang et al.
D796,715 S * 9/2017 Lin D26/28
D809,682 S 2/2018 Lin
D844,862 S 4/2019 Nordmann
D851,301 S 6/2019 Lin
D853,000 S 7/2019 Lin
D855,872 S 8/2019 Lan
D861,236 S 9/2019 Lai
D863,618 S 10/2019 Lucas et al.
D866,823 S 11/2019 Lin

(Continued)

Primary Examiner — Marcus A Jackson
(74) *Attorney, Agent, or Firm* — Alexander Chen, Esq.

(56) **References Cited**
U.S. PATENT DOCUMENTS

D426,905 S 6/2000 Cook et al.
D526,435 S 8/2006 Lau et al.
D550,383 S 9/2007 Asai
D573,282 S 7/2008 Hsu
D578,235 S 10/2008 Yang
D578,238 S 10/2008 Vidmar
D586,018 S 2/2009 Hsu
D588,724 S 3/2009 Hsu
D606,679 S 12/2009 Iwasaki
D676,166 S * 2/2013 Lai D26/28
D706,471 S * 6/2014 Lai D26/28
D714,983 S 10/2014 Lai
D718,479 S 11/2014 Lai
D718,893 S * 12/2014 Lai D26/28
D720,870 S * 1/2015 Lim D26/28
D721,450 S * 1/2015 Lai D26/28

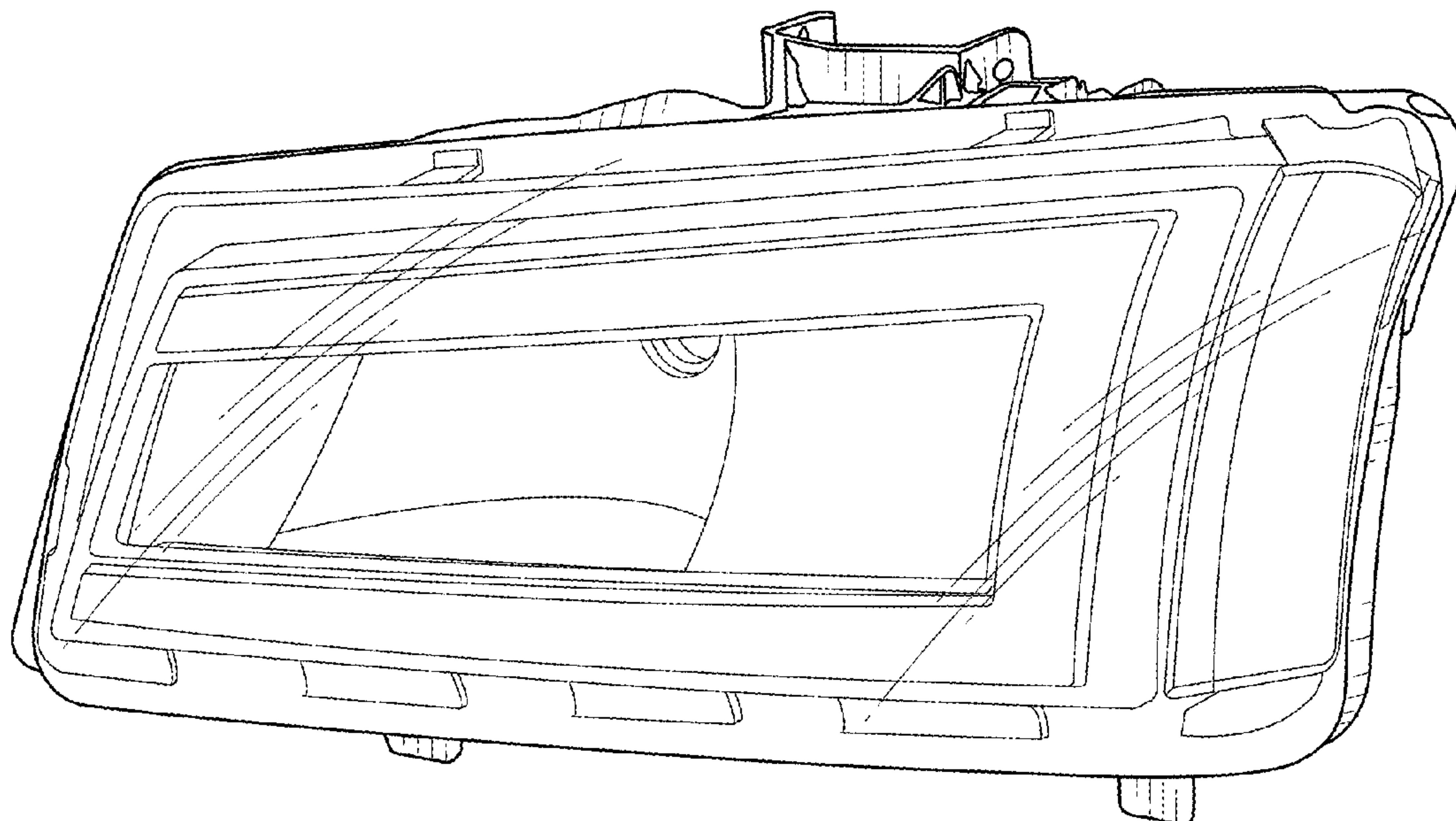
(57) **CLAIM**

The ornamental design for an automobile headlight, as shown and described.

DESCRIPTION

FIG. 1 is a perspective view of an automobile headlight; FIG. 2 is a front view thereof; FIG. 3 is a side view thereof; FIG. 4 is a top view thereof; and, FIG. 5 is a bottom view thereof. The broken lines are included to show environmental structure and form no part of the claimed design. The drawings and descriptions represent the left side embodiment. The claim is also for a mirror image right side embodiment.

1 Claim, 5 Drawing Sheets



(56)

References Cited

U.S. PATENT DOCUMENTS

D868,318 S 11/2019 Lai
D869,711 S 12/2019 Christman et al.

* cited by examiner

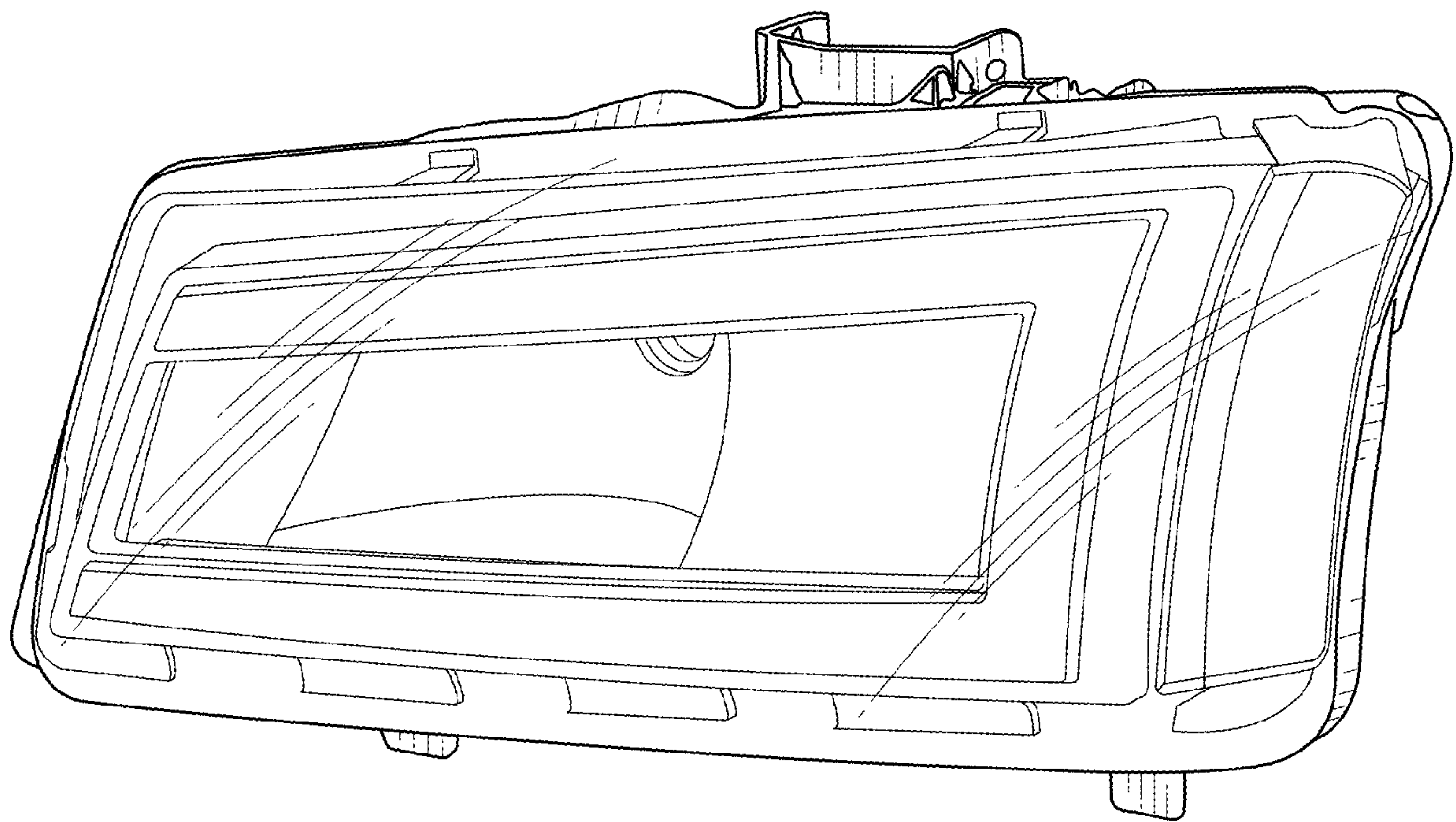


FIG. 1

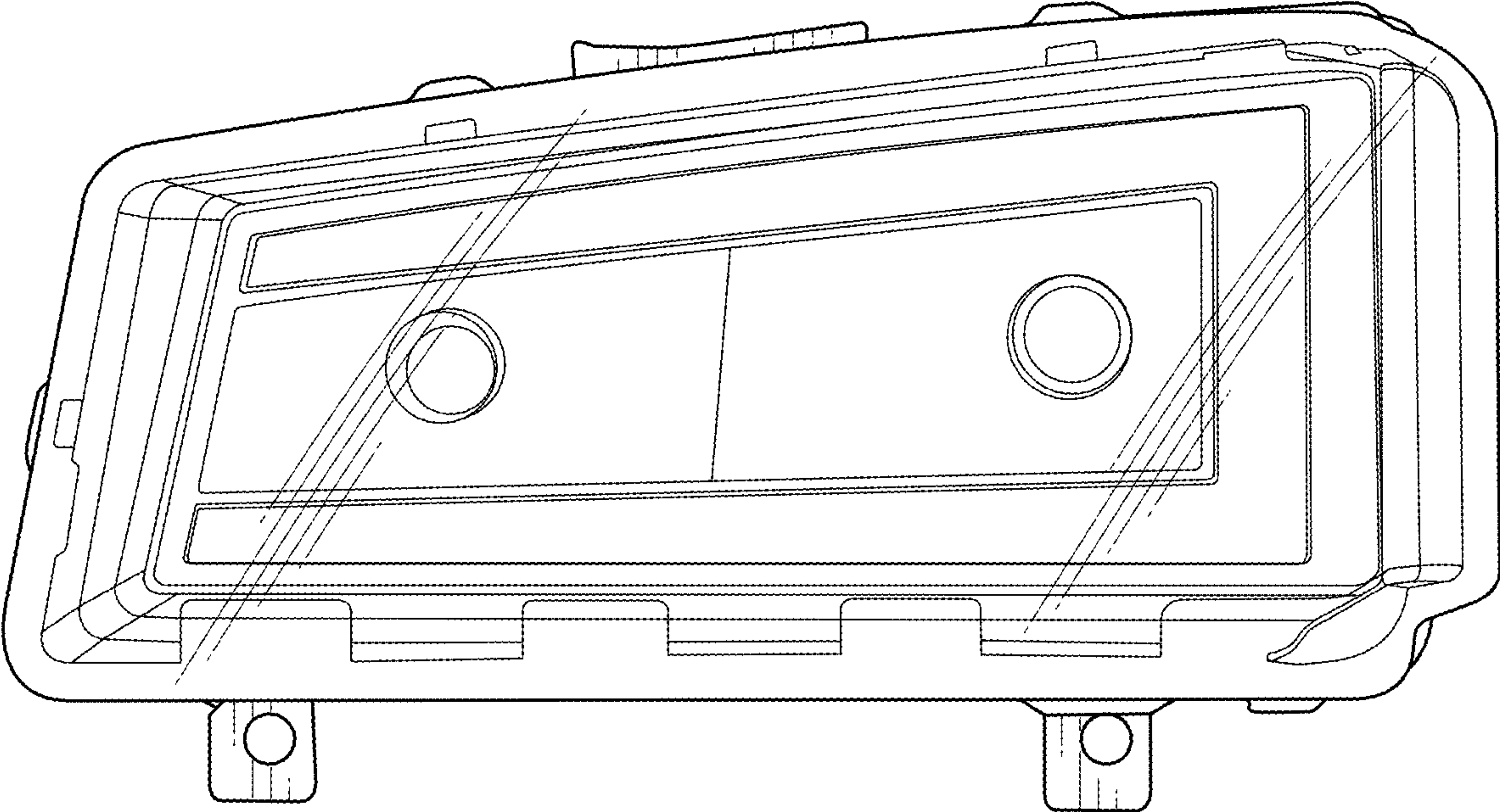


FIG. 2

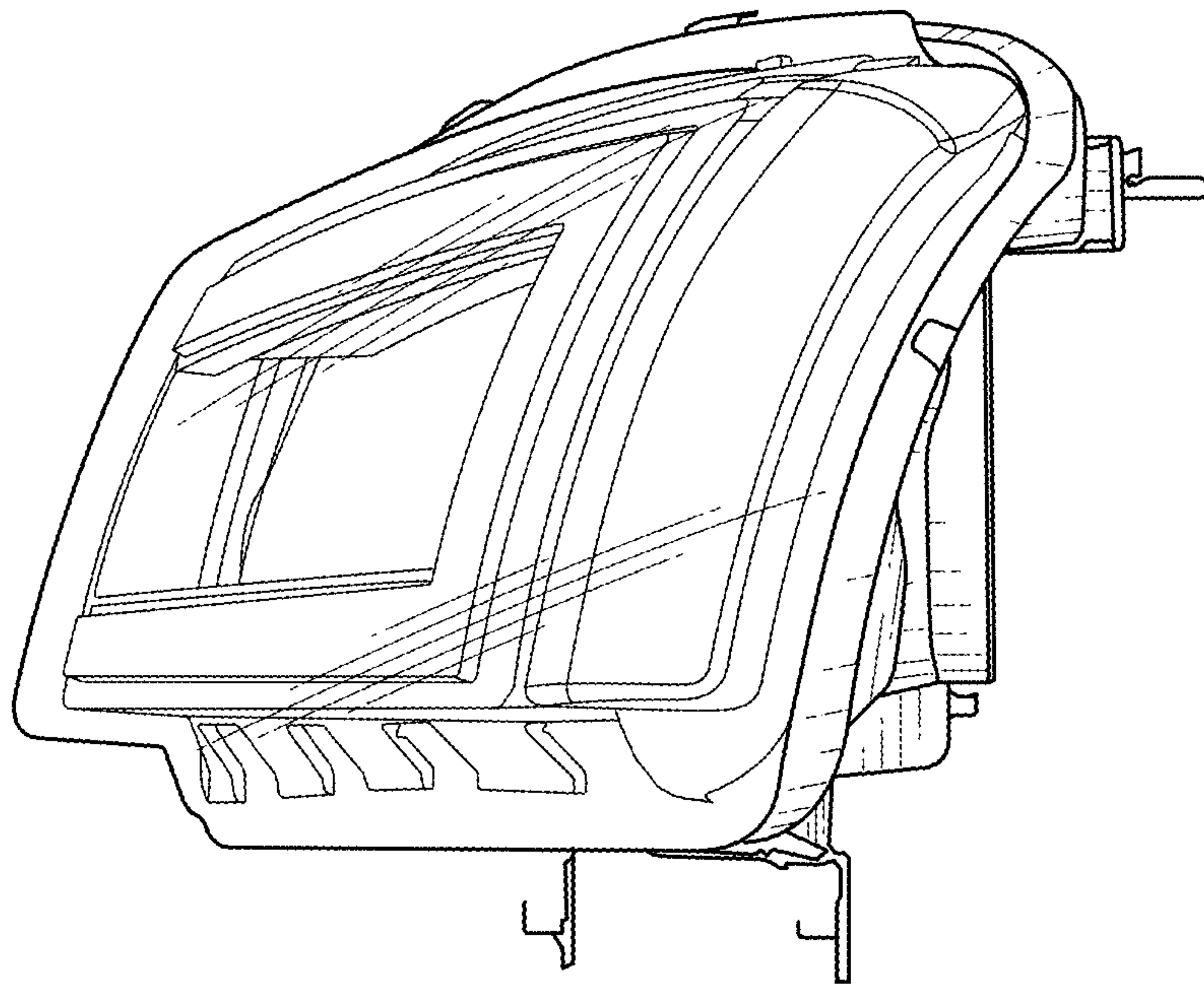


FIG. 3

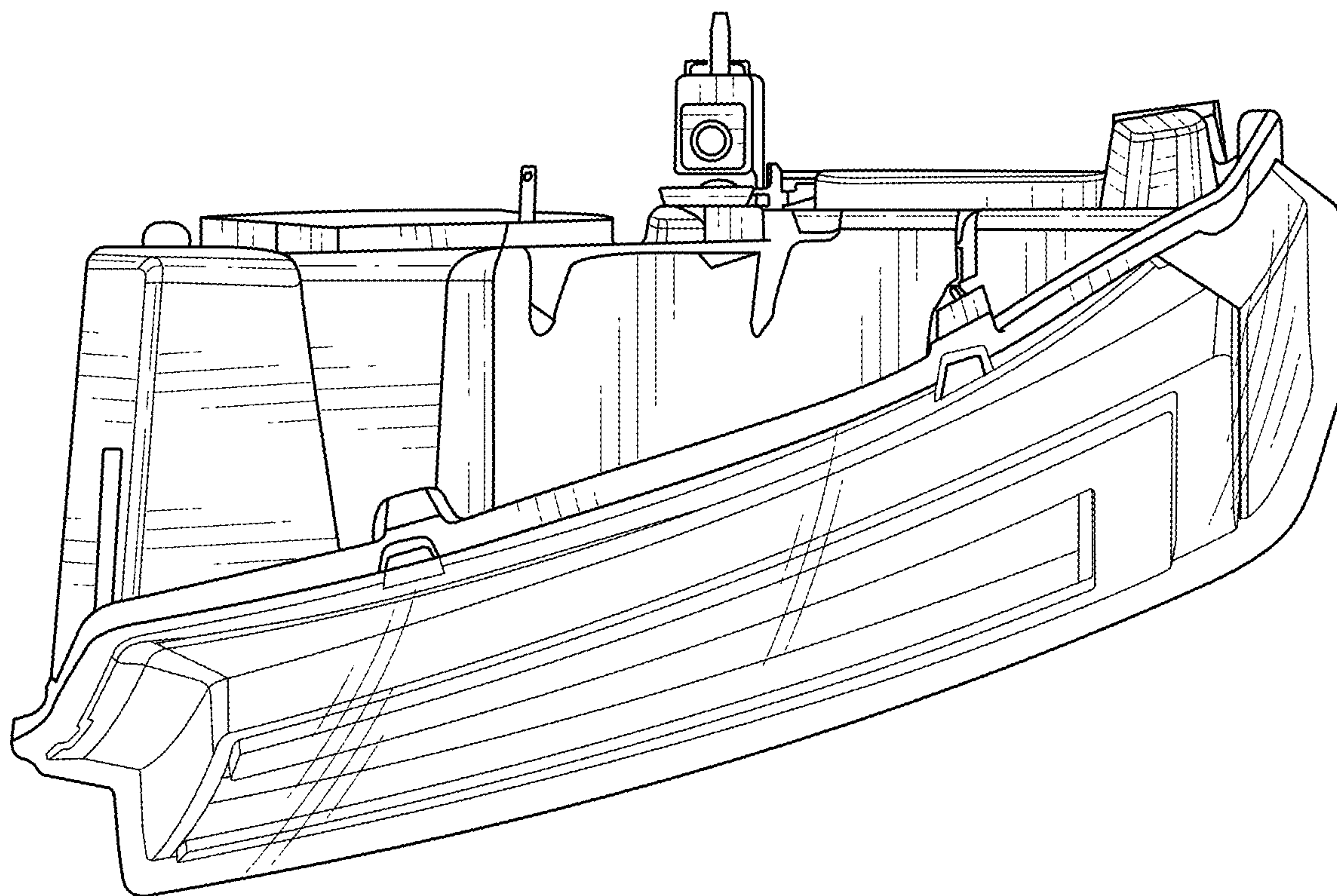


FIG. 4

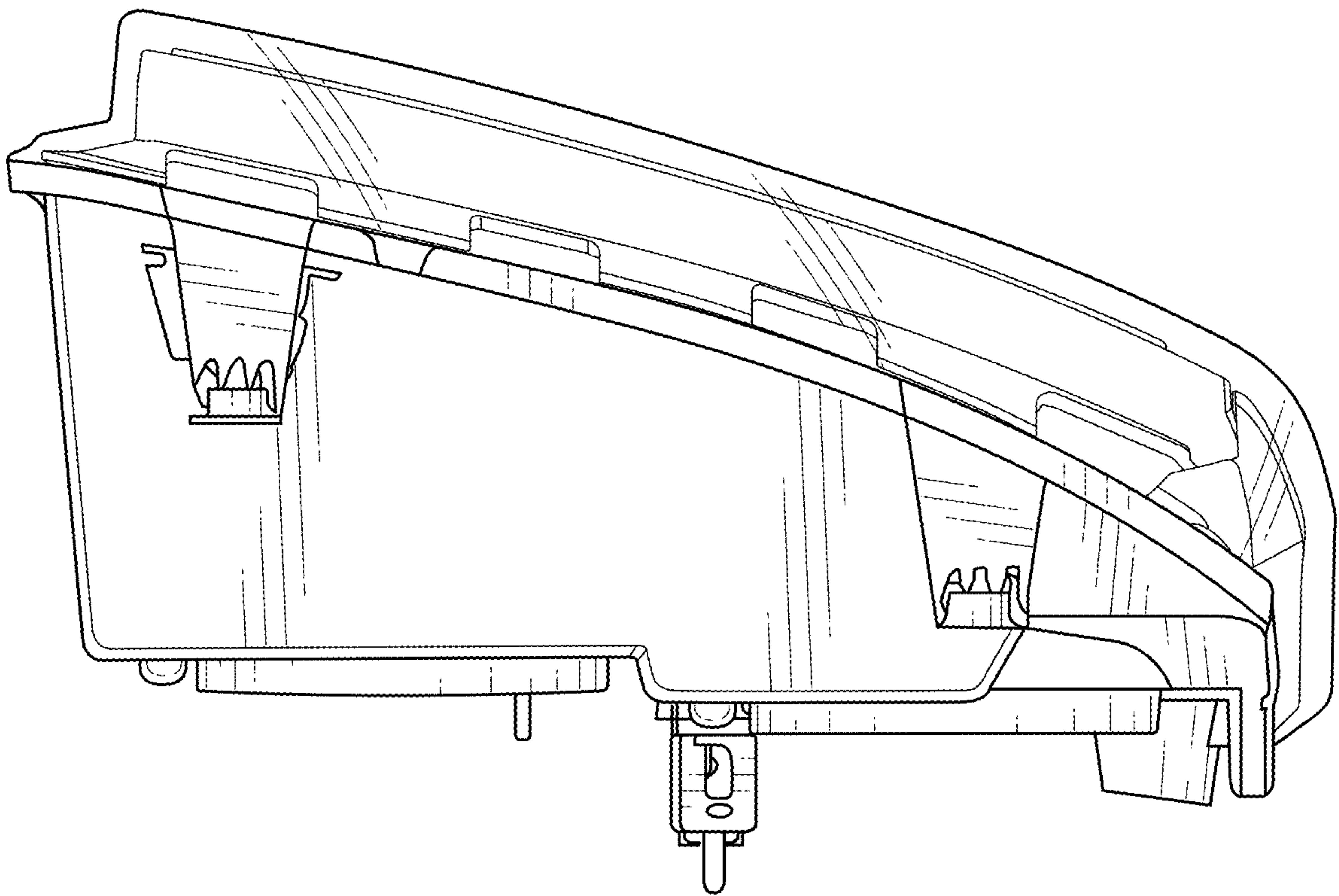


FIG. 5