



US00D895860S

(12) **United States Design Patent** (10) **Patent No.:** **US D895,860 S**
Lin (45) **Date of Patent:** **** Sep. 8, 2020**

(54) **AUTOMOBILE HEADLIGHT**
(71) Applicant: **Chi-Chung Lin**, Hsinchu (TW)
(72) Inventor: **Chi-Chung Lin**, Hsinchu (TW)
(**) Term: **15 Years**
(21) Appl. No.: **29/727,320**
(22) Filed: **Mar. 10, 2020**
(51) **LOC (12) Cl.** **26-06**
(52) **U.S. Cl.**
USPC **D26/28**
(58) **Field of Classification Search**
USPC D26/28-36, 139
CPC F21S 48/00; F21S 48/10; F21S 48/115;
F21S 48/225; F21S 48/1233; F21S
48/1266; F21S 48/1388; F21S 48/2268;
F21V 21/04; F21V 29/004; B60Q 9/13;
B60Q 9/135; B60Q 9/1375
See application file for complete search history.

D728,850 S 5/2015 Beaven
D754,375 S * 4/2016 Vena D26/28
D754,912 S 4/2016 Patel
D766,498 S 9/2016 Hatton
D774,671 S 12/2016 Lai
D792,994 S 7/2017 Hwang et al.
D851,301 S 6/2019 Lin
D855,872 S 8/2019 Lan
D861,236 S 9/2019 Lai
D863,618 S 10/2019 Lucas et al.
D869,711 S 12/2019 Christman et al.

* cited by examiner

Primary Examiner — Marcus A Jackson
(74) *Attorney, Agent, or Firm* — Alexander Chen, Esq.

(57) **CLAIM**

The ornamental design for an automobile headlight, as shown and described.

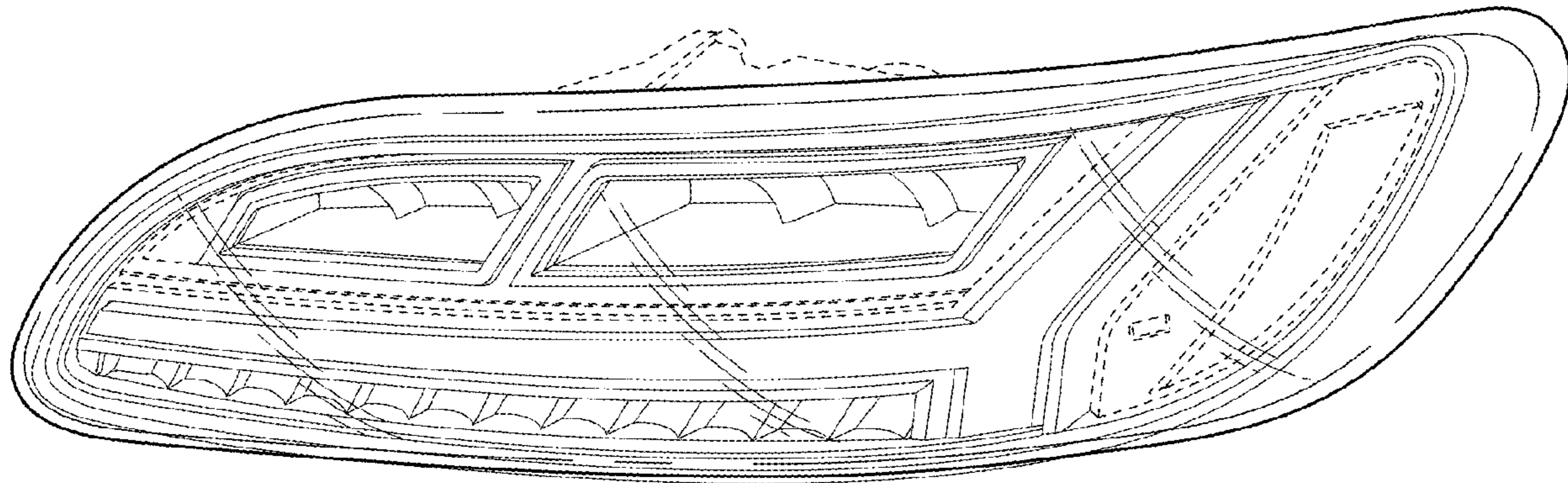
DESCRIPTION

FIG. 1 is a perspective view of an automobile headlight;
FIG. 2 is a front view thereof;
FIG. 3 is a front view thereof;
FIG. 4 is a front view thereof;
FIG. 5 is a side view thereof;
FIG. 6 is a top view thereof; and,
FIG. 7 is a bottom view thereof.

The broken lines are included to show environmental structure and form no part of the claimed design.
The drawings and descriptions represent the left side embodiment. The claim is also for a mirror image right side embodiment.

1 Claim, 7 Drawing Sheets

(56) **References Cited**
U.S. PATENT DOCUMENTS
D426,905 S 6/2000 Cook et al.
D573,282 S 7/2008 Hsu
D583,085 S * 12/2008 Yang D26/28
D658,320 S * 4/2012 Goplen D26/28
D676,168 S * 2/2013 Lai D26/28
D686,355 S * 7/2013 Morgenstern D26/28
D718,894 S * 12/2014 Lai D26/28
D721,450 S * 1/2015 Lai D26/28



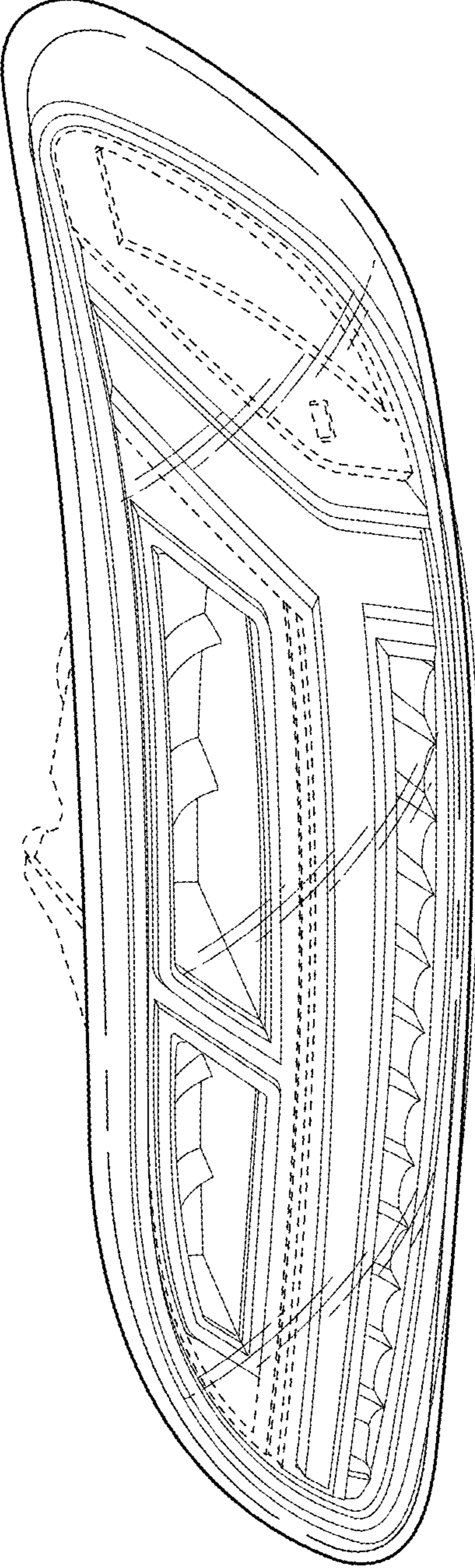


FIG. 1

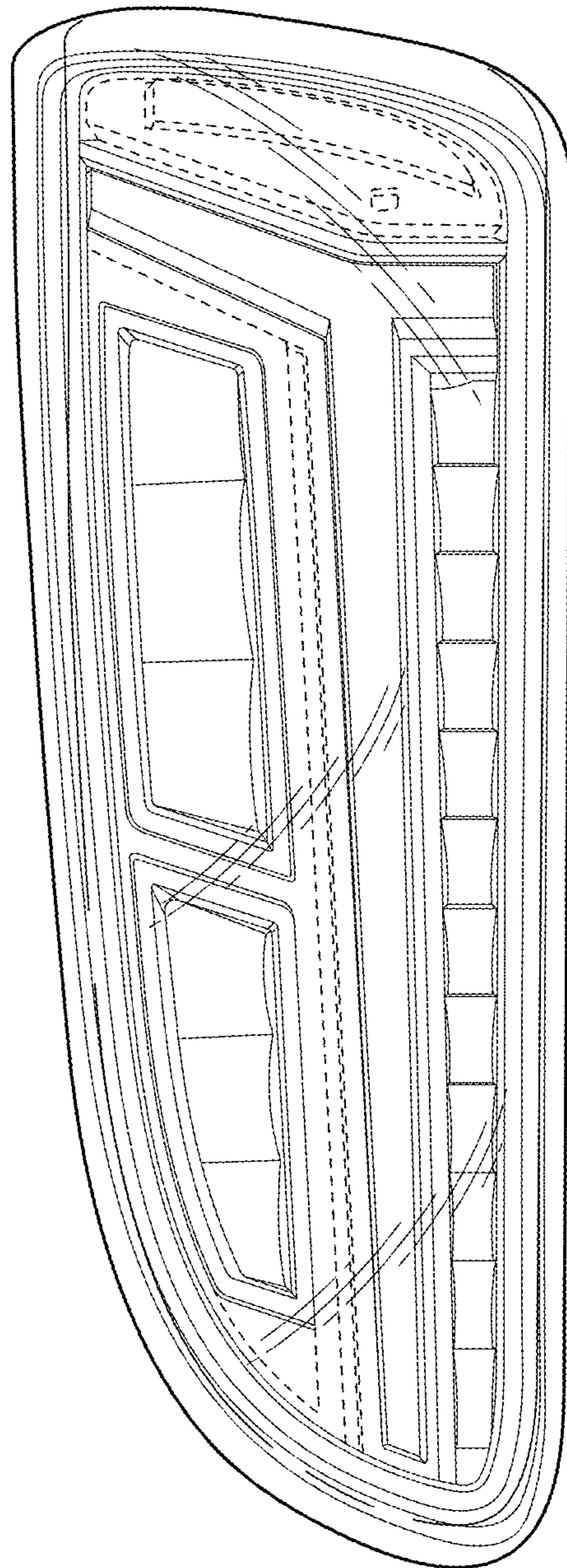


FIG. 2

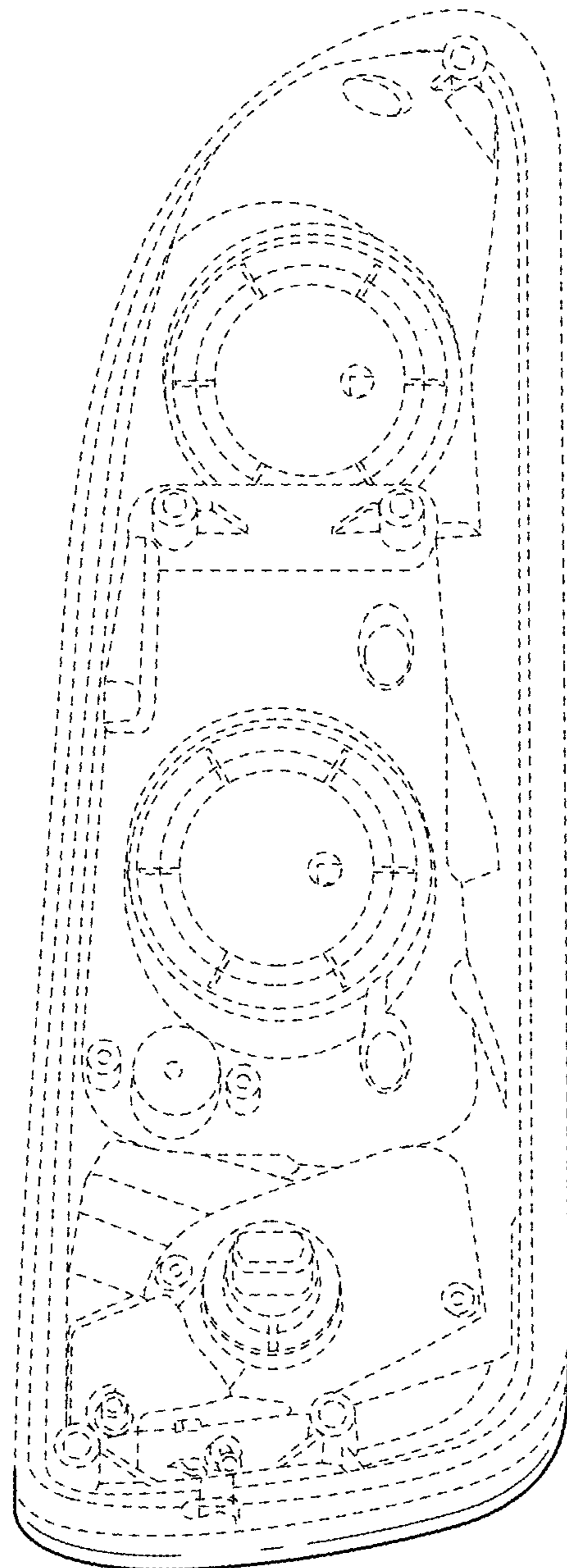


FIG. 3

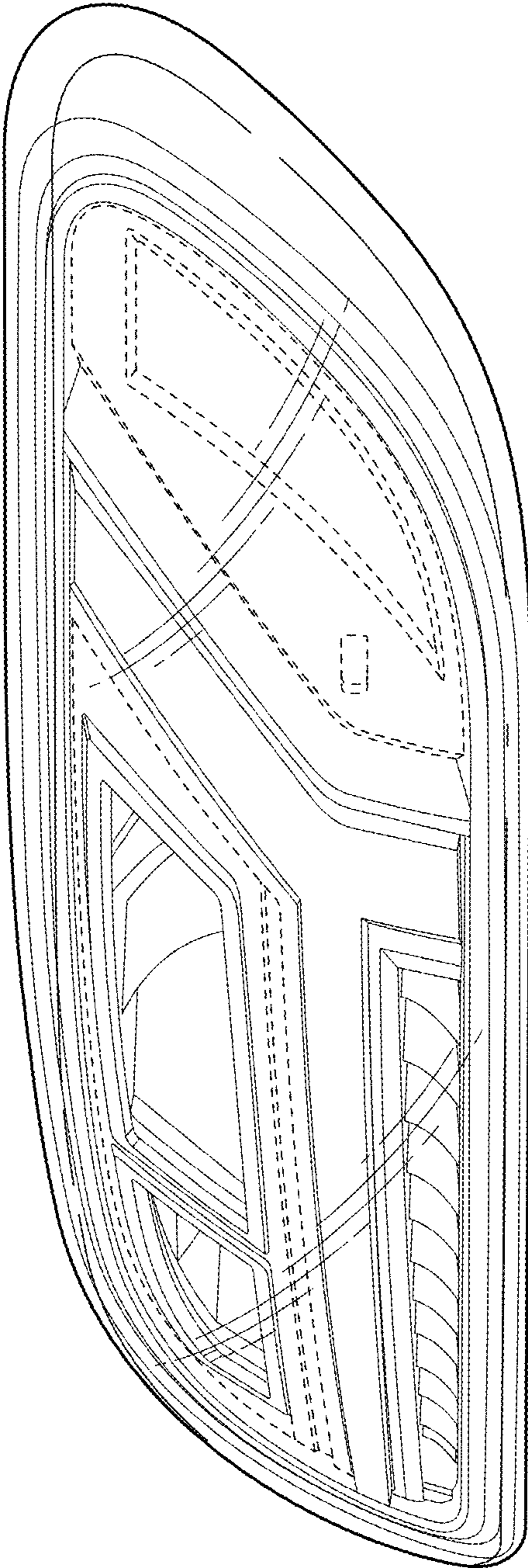


FIG. 4

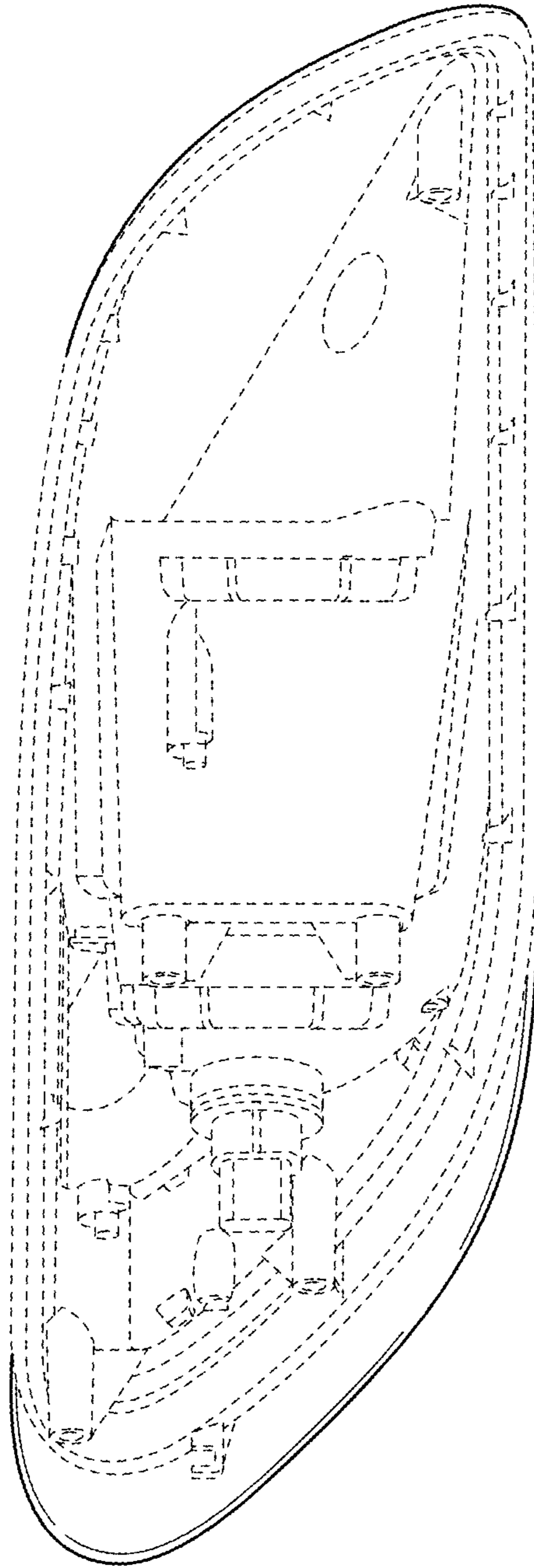


FIG. 5

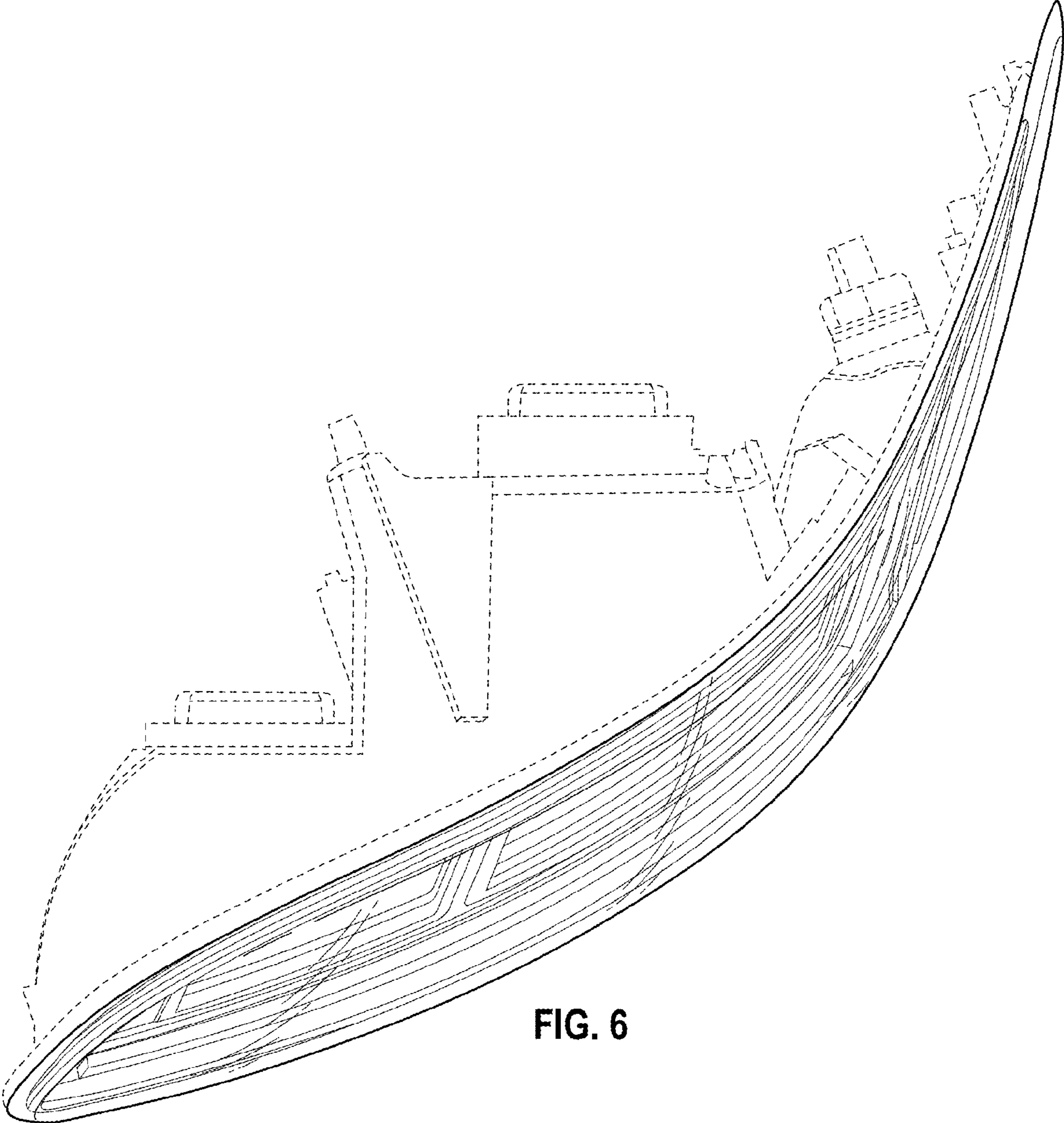


FIG. 6

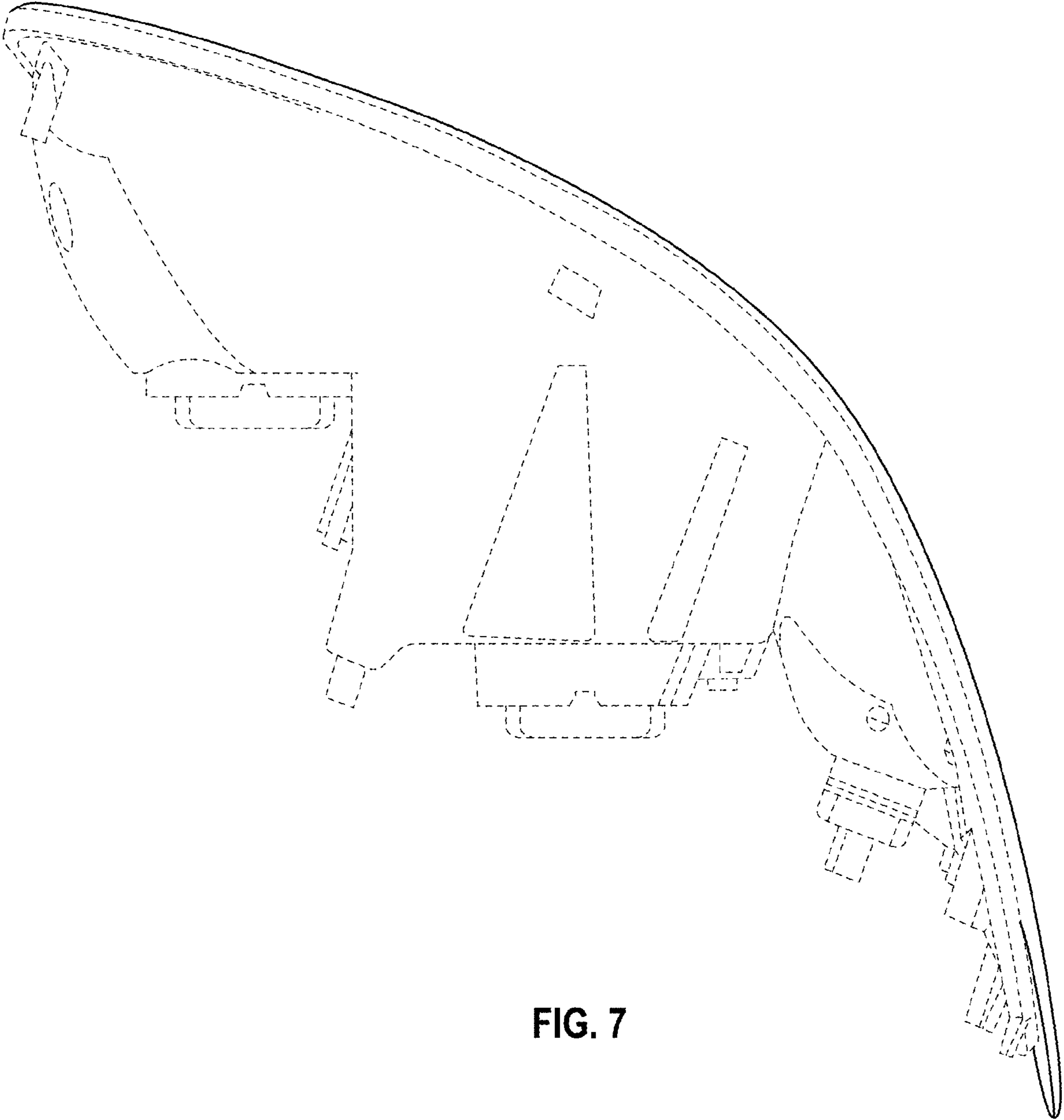


FIG. 7