



US00D895858S

(12) **United States Design Patent**
Elwell

(10) **Patent No.:** **US D895,858 S**

(45) **Date of Patent:** **** Sep. 8, 2020**

(54) **CANDLE HOLDER**

(71) Applicant: **Jean D. Elwell**, Roscoe, IL (US)

(72) Inventor: **Jean D. Elwell**, Roscoe, IL (US)

(**) Term: **15 Years**

(21) Appl. No.: **29/729,939**

(22) Filed: **Mar. 31, 2020**

Related U.S. Application Data

(62) Division of application No. 29/705,342, filed on Sep. 11, 2019, now Pat. No. Des. 887,036.

(51) **LOC (12) Cl.** **26-01**

(52) **U.S. Cl.**

USPC **D26/13**

(58) **Field of Classification Search**

USPC D26/9, 10, 11, 13, 23; D3/302, 304;
D6/512, 524, 525, 531, 535, 536, 540,
D6/556; 248/309.1, 311.2, 310;
211/88.01

CPC F21V 35/00; A47K 2201/02; F21S 8/036;
F21W 2121/00; F21W 2121/004; A47B
81/007

See application file for complete search history.

(56) **References Cited**

U.S. PATENT DOCUMENTS

3,368,693	A *	2/1968	Bochory	F21V 21/096 211/133.6
D299,095	S *	12/1988	Gresens	D6/524
5,028,026	A *	7/1991	Philipps et al.	
D330,137	S *	10/1992	Sharpe	D6/531
D356,708	S *	3/1995	Shames	D6/527
D371,735	S *	7/1996	Motta	
D386,342	S *	11/1997	Moore	D6/531
D419,810	S *	2/2000	John	D6/556
6,092,772	A *	7/2000	Garcia et al.	
D432,837	S *	10/2000	Gastelum	D6/540

D440,801	S *	4/2001	Gottwald	D6/540
D441,236	S *	5/2001	Gottwald	D6/540
D441,237	S *	5/2001	Gottwald	D6/540
D441,238	S *	5/2001	Gottwald	D6/540
D450,512	S *	11/2001	Gottwald	D6/524
D492,526	S *	7/2004	Ayers	D6/534
D494,397	S *	8/2004	Ayers	D6/534
7,651,063	B2	1/2010	Jensen	

(Continued)

Primary Examiner — Shannon W Morgan

Assistant Examiner — Keith Frank

(74) *Attorney, Agent, or Firm* — Scherrer Patent & Trademark Law, P.C.; Stephen T. Scherrer; Monique A. Morneault

(57) **CLAIM**

The ornamental design for a candle holder, as shown and described.

DESCRIPTION

FIG. 1 is a top perspective view of a candle holder showing my new design;

FIG. 2 is a bottom perspective view thereof;

FIG. 3 is a top plan view thereof;

FIG. 4 is a bottom plan view thereof;

FIG. 5 is a left side elevation view thereof;

FIG. 6 is a front elevation view thereof; and

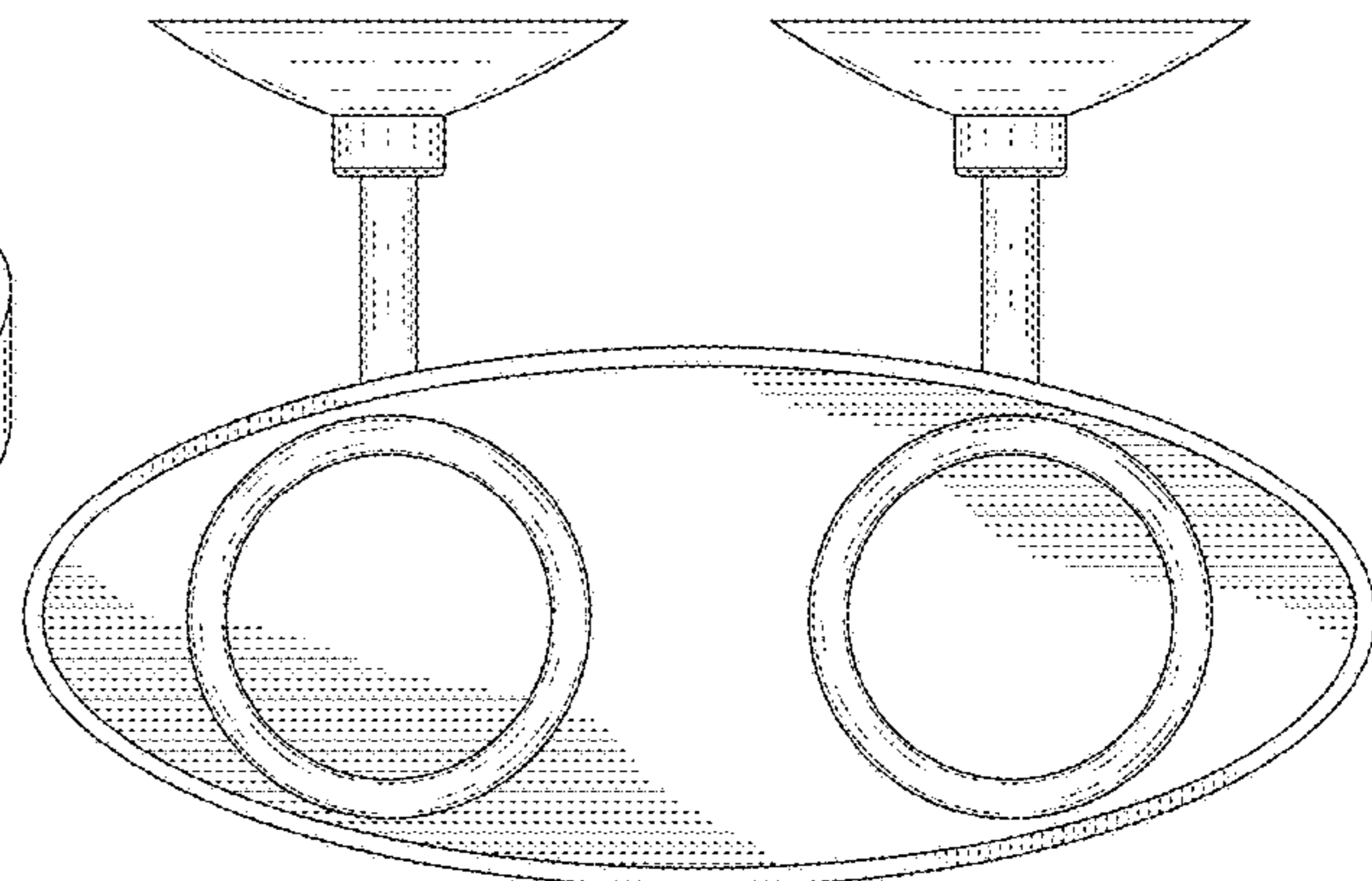
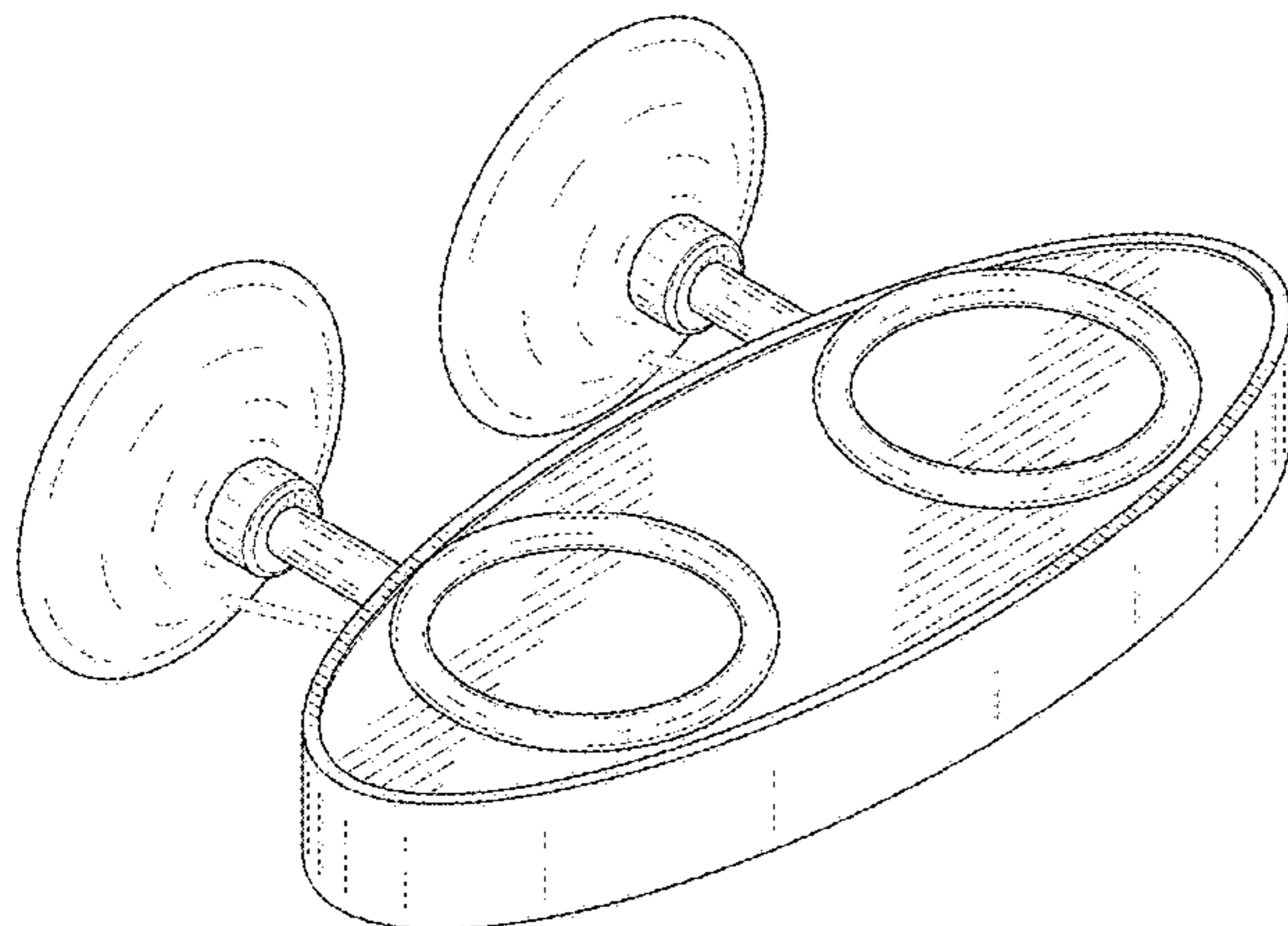
FIG. 7 is a rear elevation view thereof.

FIG. 8 is a top plan view of the candle holder thereof shown with symbolic break in broken lines, any portion of the article between the broken lines form no part of the claimed design; and,

FIG. 9 is a front elevation view of the candle holder thereof shown with symbolic break in broken lines, any portion of the article between the broken lines form no part of the claimed design.

The broken lines in the drawings showing the candle holder illustrate the portions of the candle holder that form no part of the claimed design.

1 Claim, 4 Drawing Sheets



(56)

References Cited

U.S. PATENT DOCUMENTS

D620,734 S * 8/2010 Leffall D6/535
D840,060 S * 2/2019 Nilsson D26/13
2009/0308995 A1* 12/2009 Kuo A47K 10/10
248/231.91
2015/0014505 A1* 1/2015 Edwards A47K 1/09
248/251

* cited by examiner

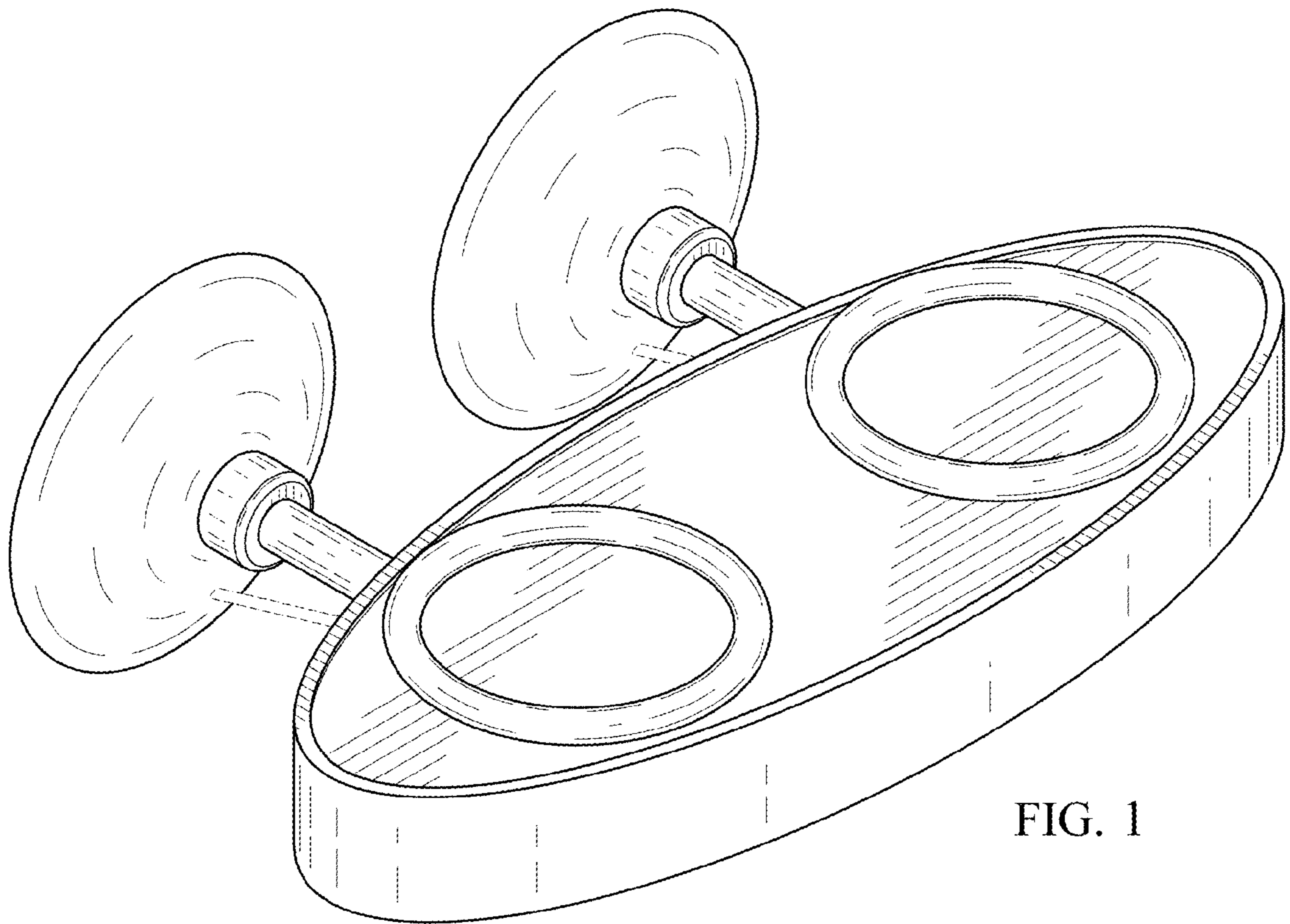


FIG. 1

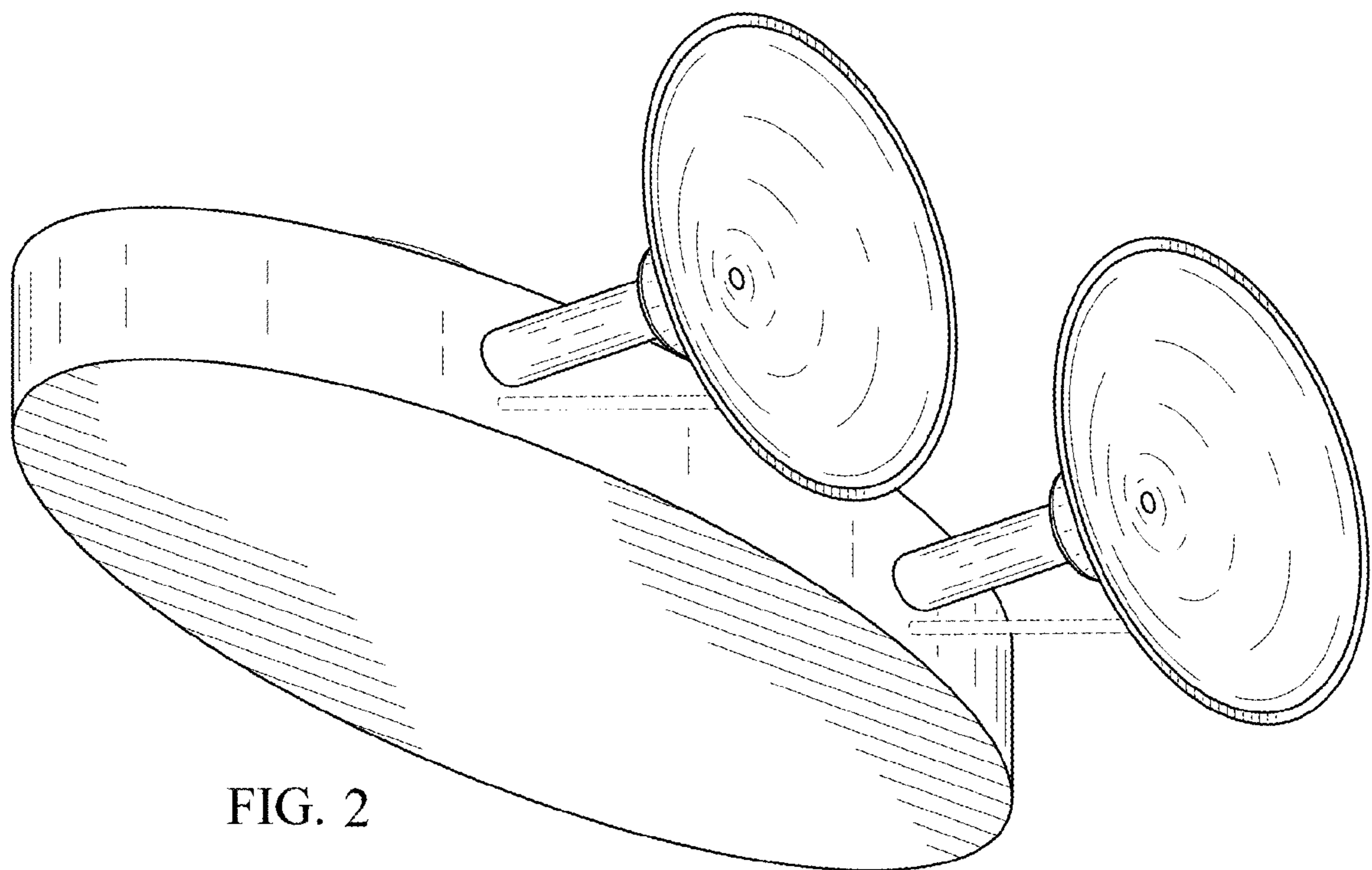


FIG. 2

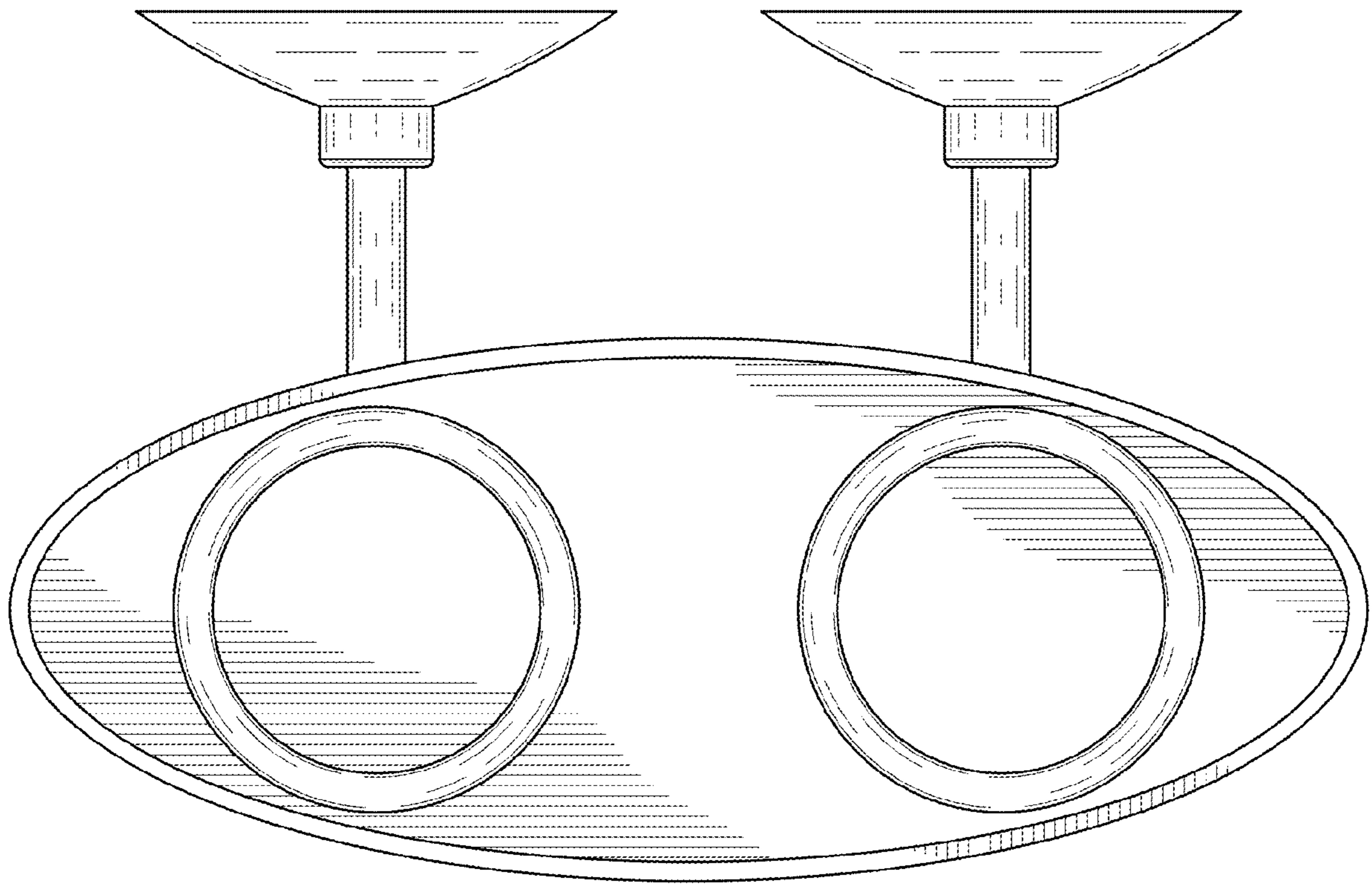


FIG. 3

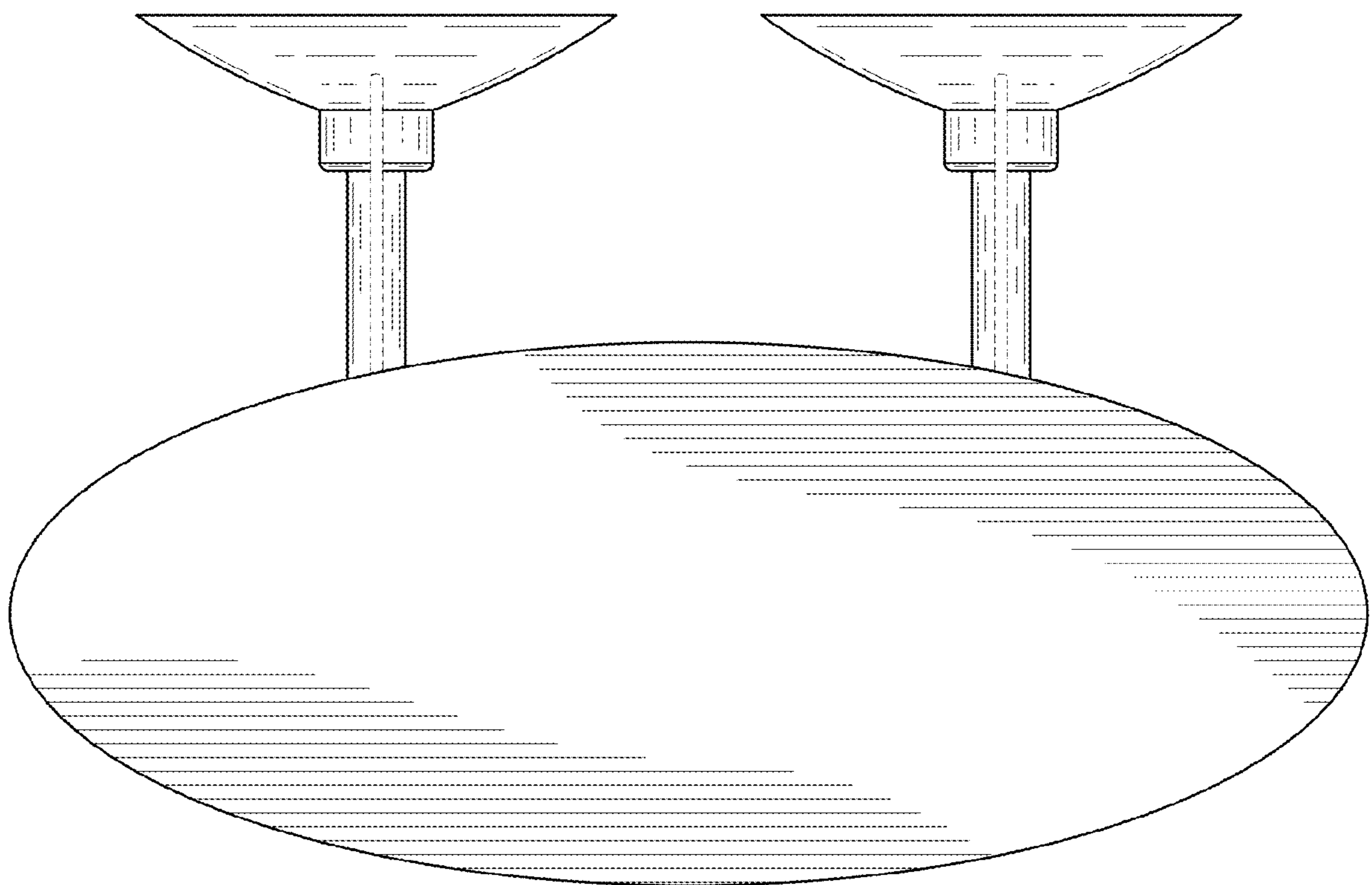


FIG. 4

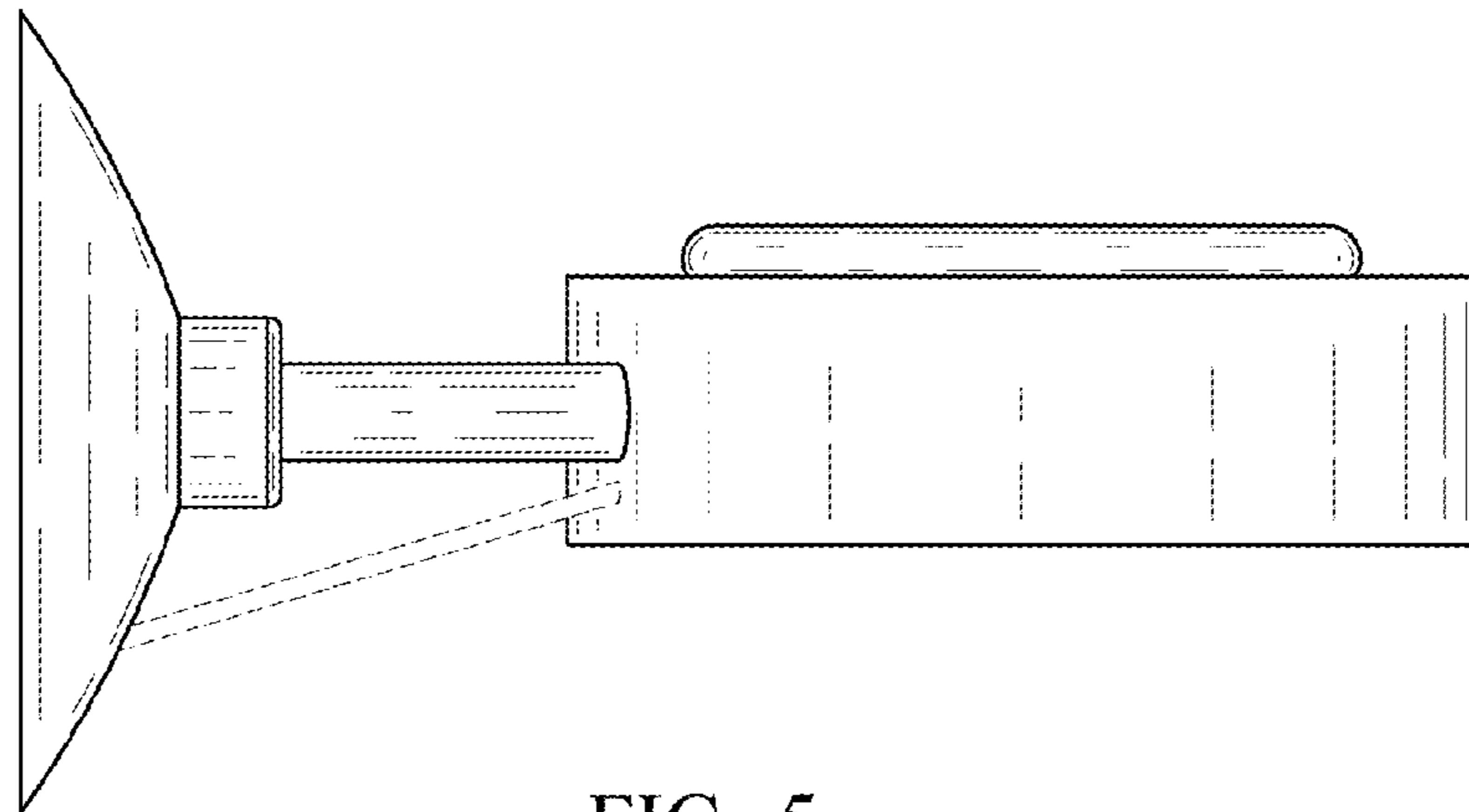


FIG. 5

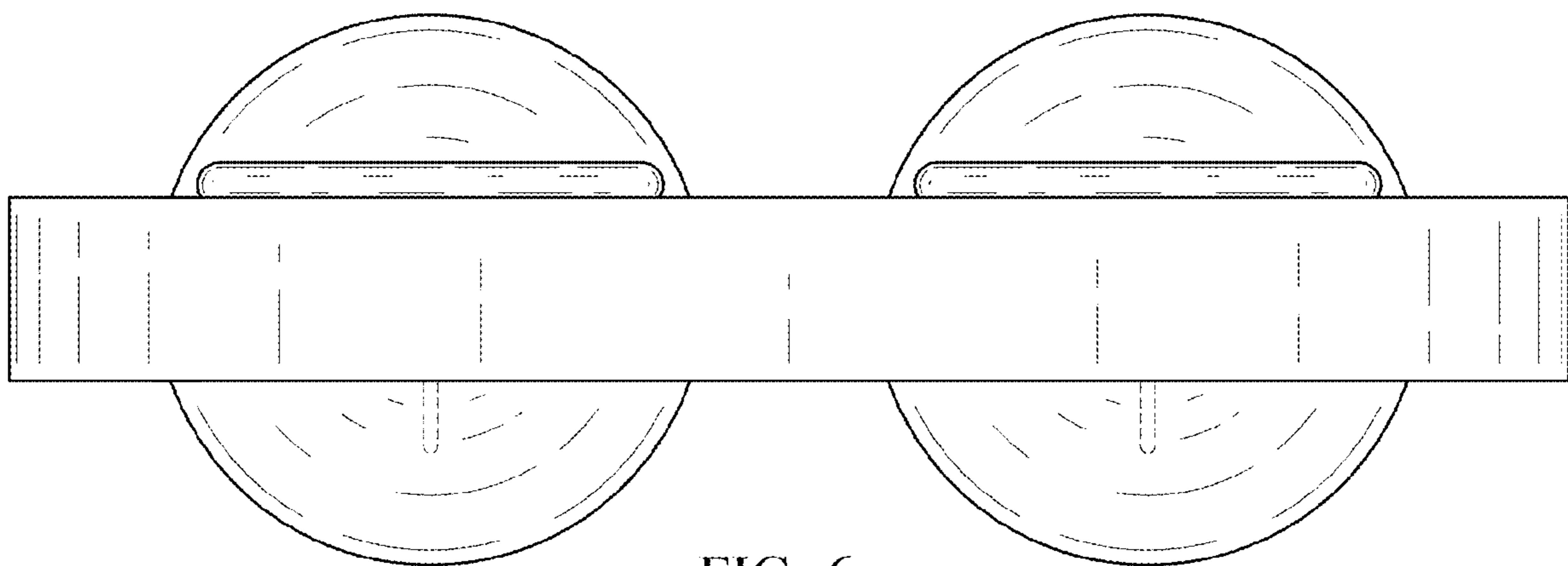


FIG. 6

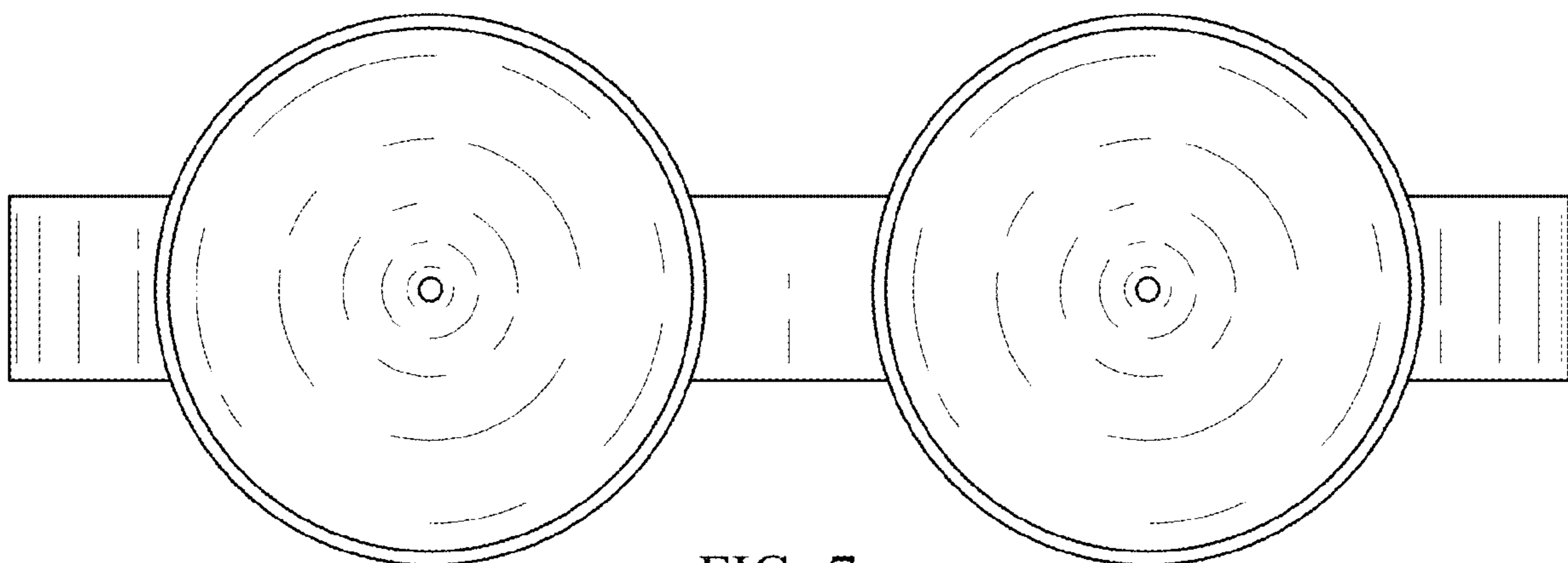


FIG. 7

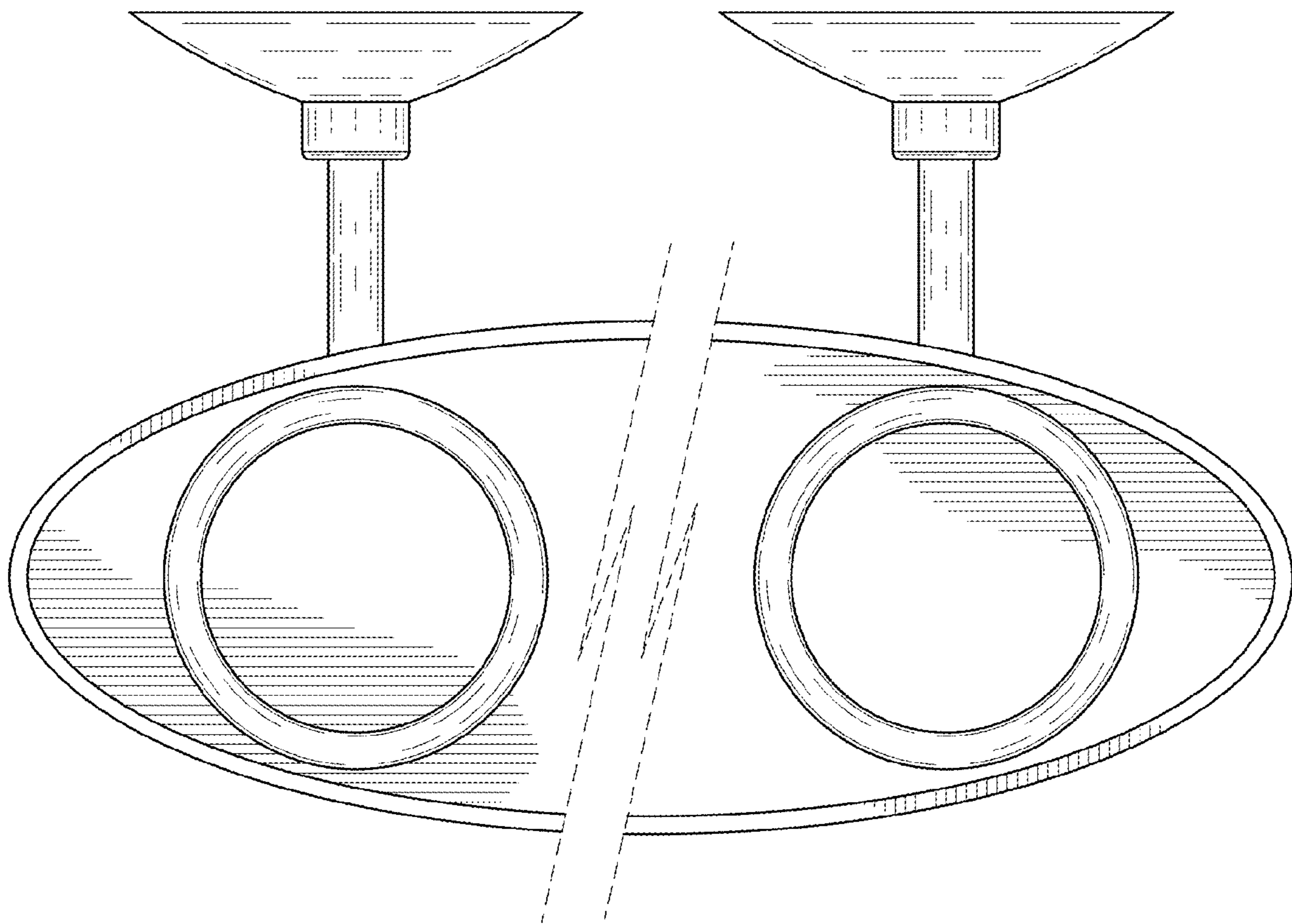


FIG. 8

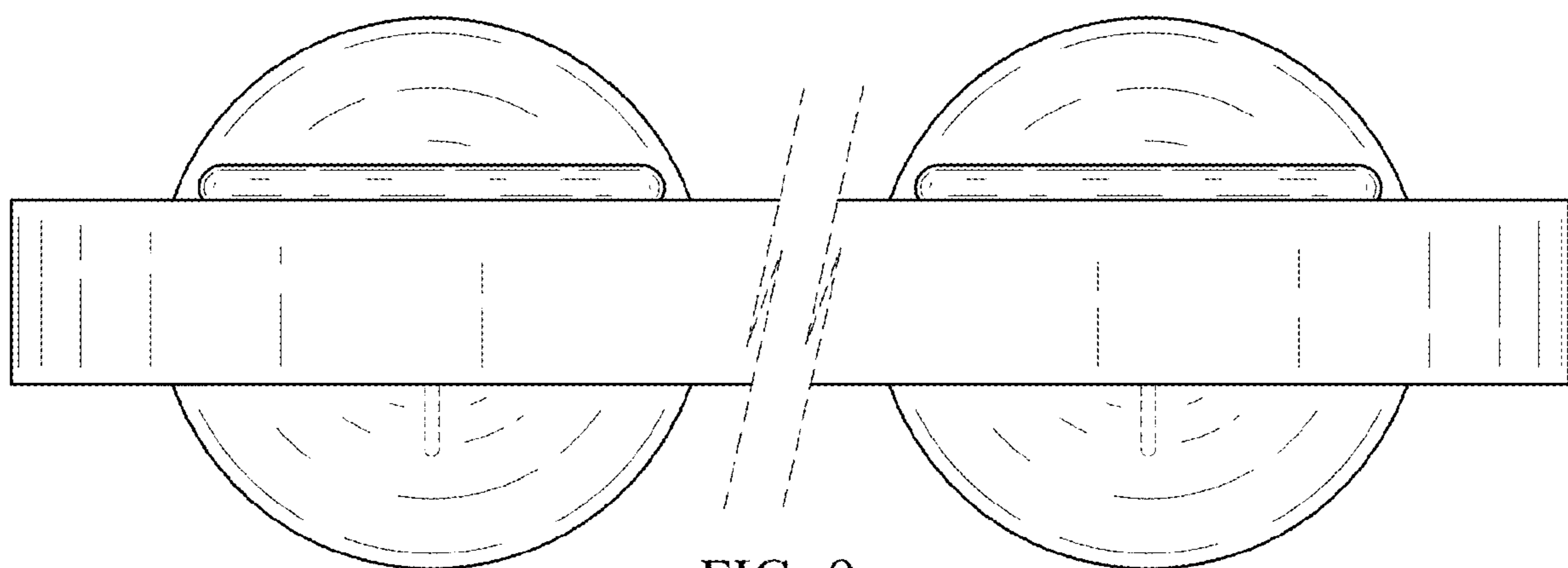


FIG. 9