



US00D895857S

(12) **United States Design Patent** (10) **Patent No.:** **US D895,857 S**
Xu (45) **Date of Patent:** **** Sep. 8, 2020**

(54) **CORN SHAPE LAMP WITH FANS** D600,368 S * 9/2009 Bertram D26/2
D669,610 S * 10/2012 Yamamoto D26/2
(71) Applicant: **Dongguan Qianrun Lighting Co.,** D671,235 S * 11/2012 Yamamoto D26/2
Ltd., Dongguan, Guangdong Province
(CN) * cited by examiner

(72) Inventor: **Cankun Xu,** Jiedong County (CN) *Primary Examiner* — Marcus A Jackson
(74) *Attorney, Agent, or Firm* — Muncy, Geissler, Olds &
Lowe, P.C.

(73) Assignee: **DONGGUAN QIANRUN LIGHTING**
CO., LTD., Dongguan, Guangdong
Province (CN)

(**) Term: **15 Years**

(57) **CLAIM**

(21) Appl. No.: **29/689,086**

The ornamental design for a corn shape lamp with fans, as shown and described.

(22) Filed: **Apr. 26, 2019**

(51) **LOC (12) Cl.** **26-04**

(52) **U.S. Cl.**
USPC **D26/2**

DESCRIPTION

(58) **Field of Classification Search**
USPC D26/1-4
CPC H01R 5/00; H01R 13/46; H01R 13/514;
H01R 31/048; H01R 31/02; H01J 5/00;
H01J 5/16; H01J 1/02; H01J 15/00; H01J
5/48; H01J 5/50; H01J 19/54; F21V 5/00;
F21K 9/00; F21K 13/00
See application file for complete search history.

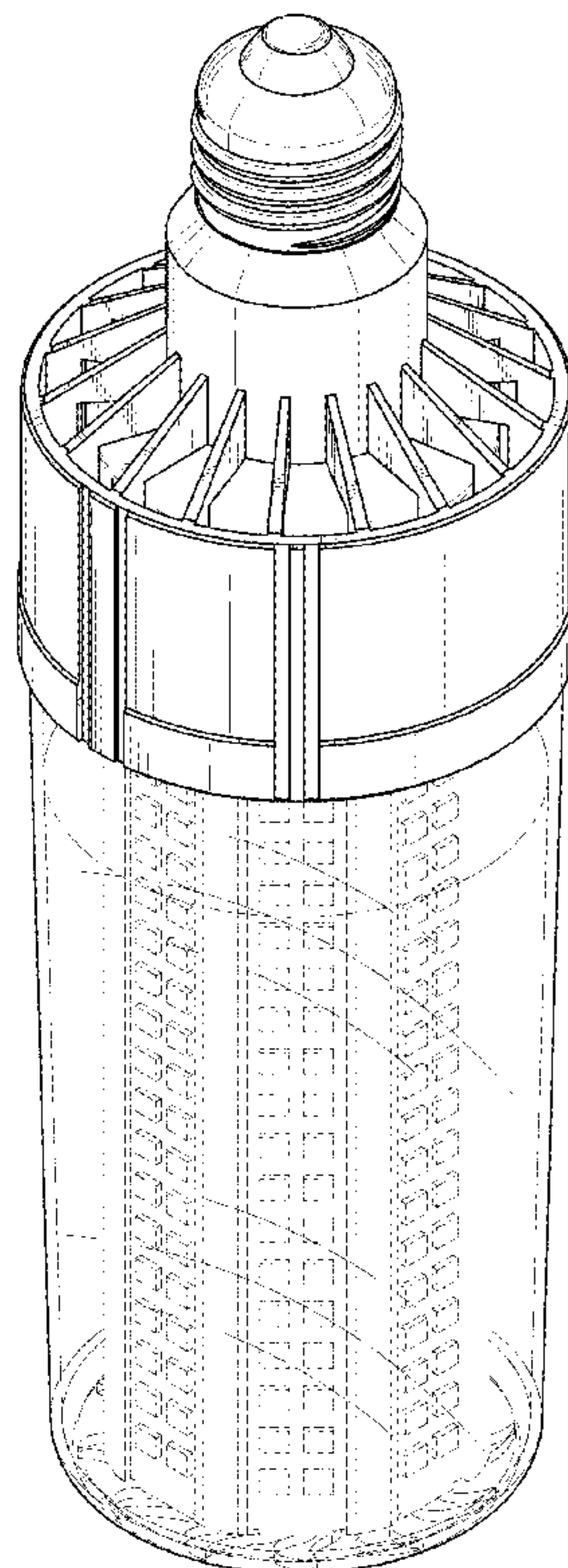
FIG. 1 is a front elevational view of a corn shape lamp with fans showing my new design;
FIG. 2 is a rear elevational view thereof;
FIG. 3 is a left elevational view thereof;
FIG. 4 is a right side view thereof;
FIG. 5 is a top side view thereof;
FIG. 6 is a bottom plan view thereof; and,
FIG. 7 is a perspective view thereof.
The broken lines illustrate the interior of the corn shape lamp with fans which forms no part of the claimed design.

(56) **References Cited**

U.S. PATENT DOCUMENTS

D543,288 S * 5/2007 Bembridge D26/2
D579,130 S * 10/2008 Hernandez, Jr. D26/2

1 Claim, 7 Drawing Sheets



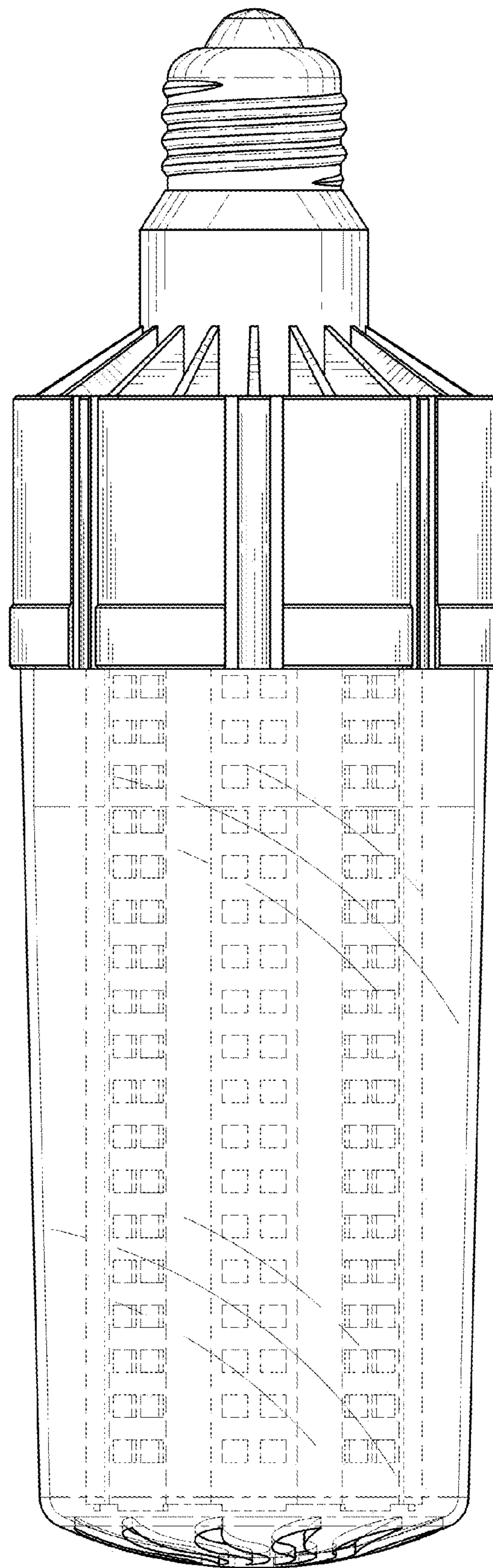


Fig. 1

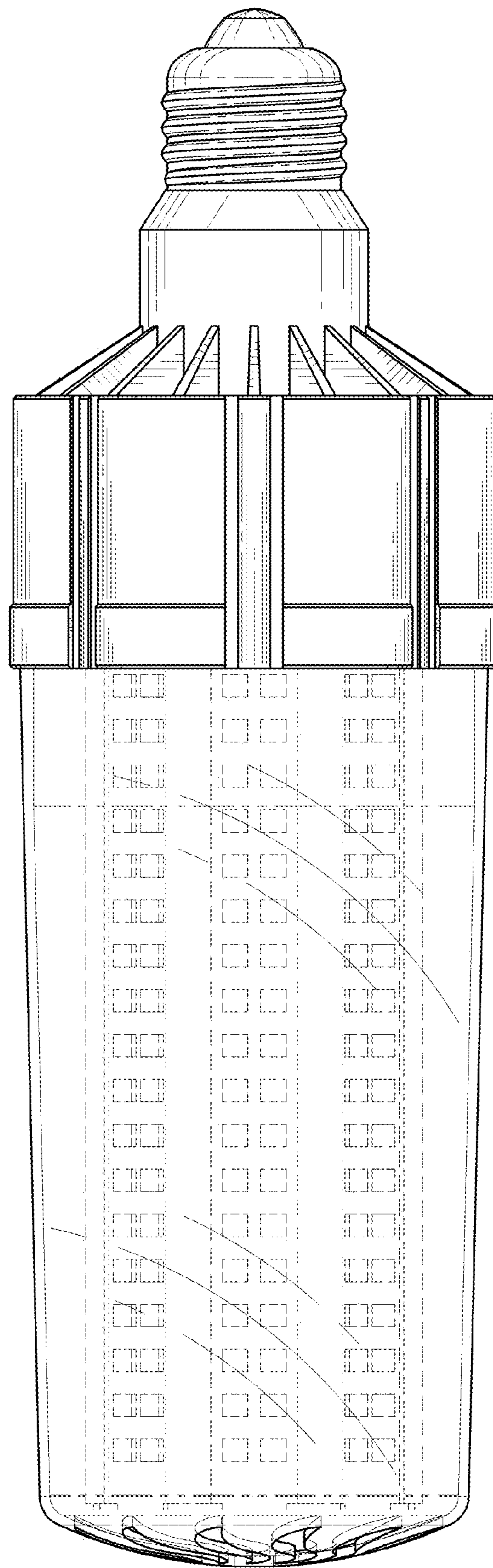


Fig.2

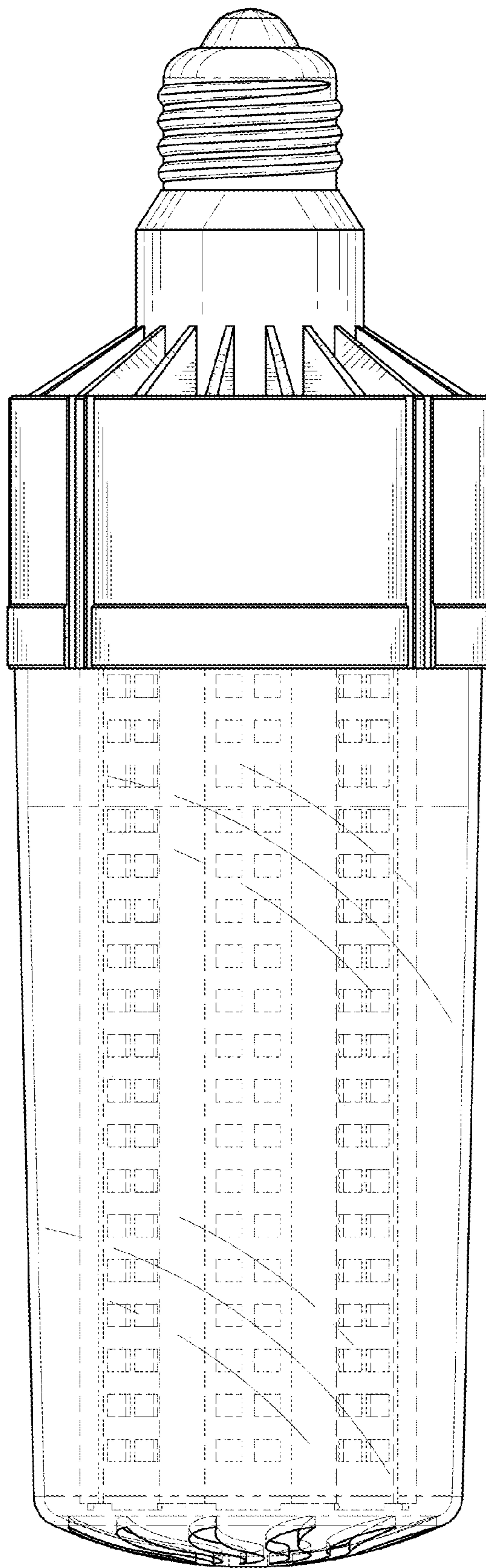


Fig. 3

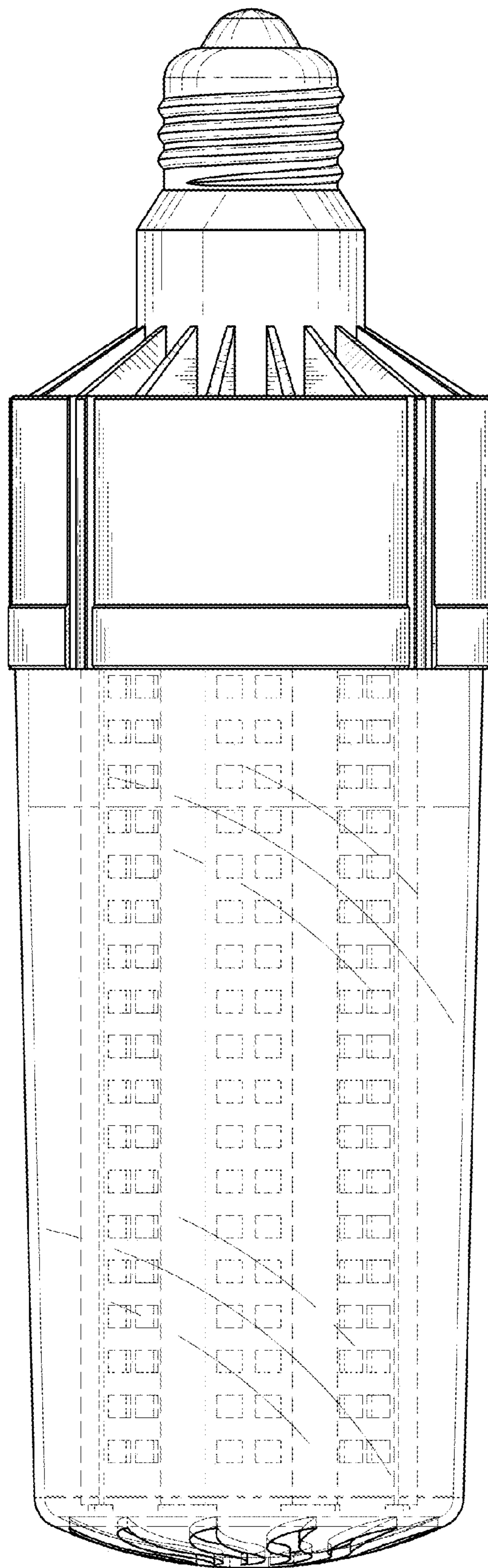


Fig. 4

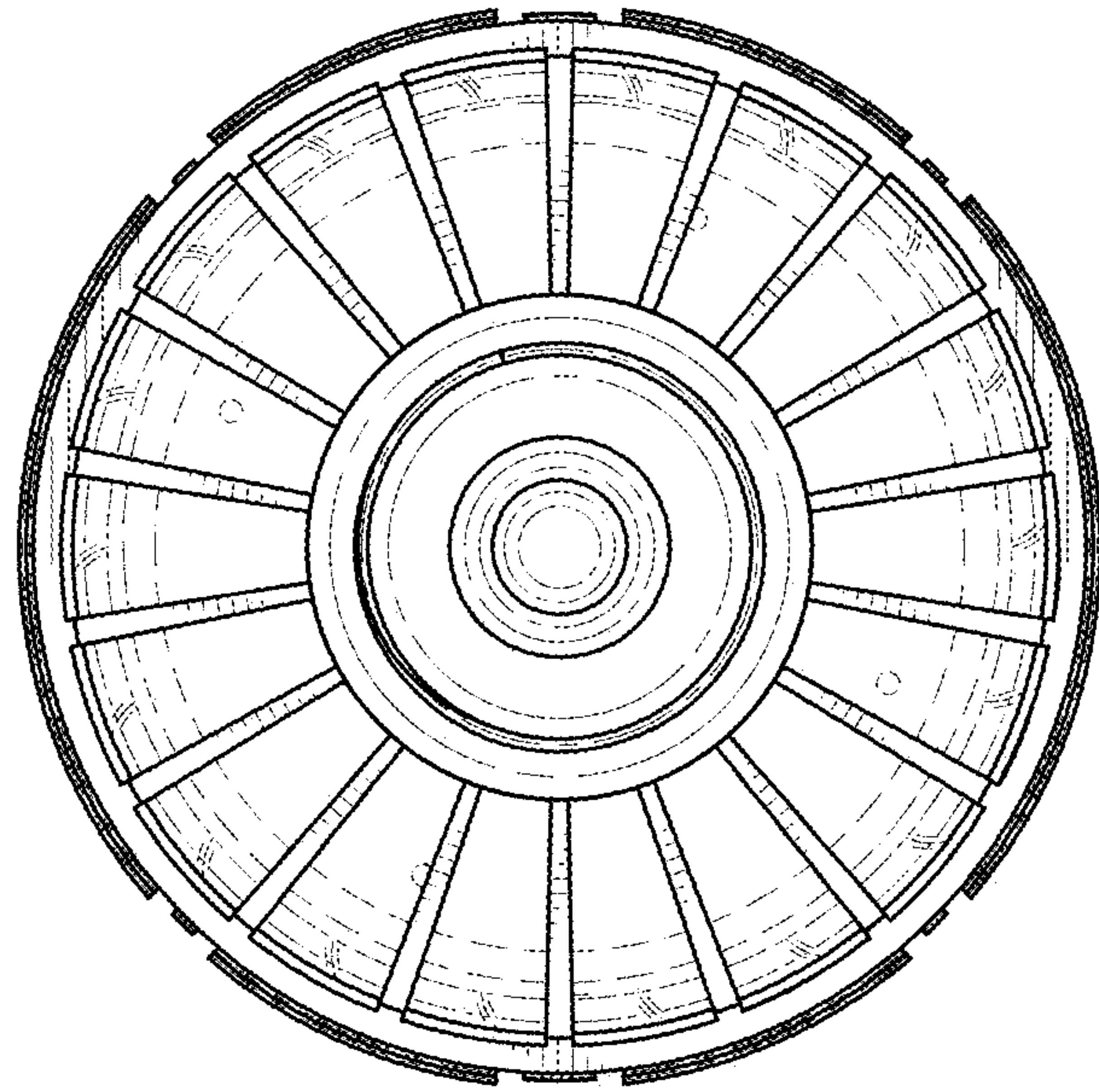


Fig. 5

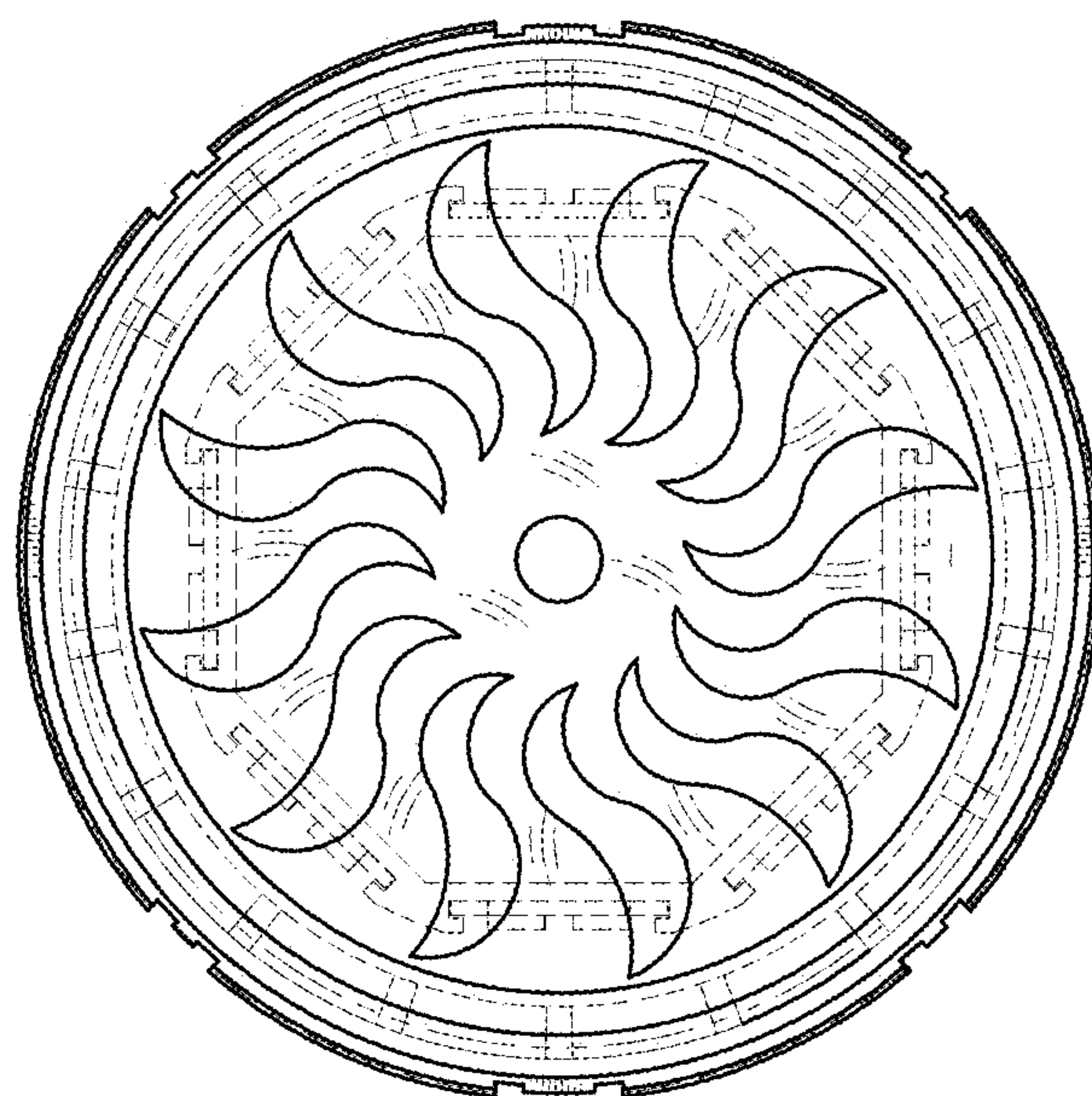


Fig.6

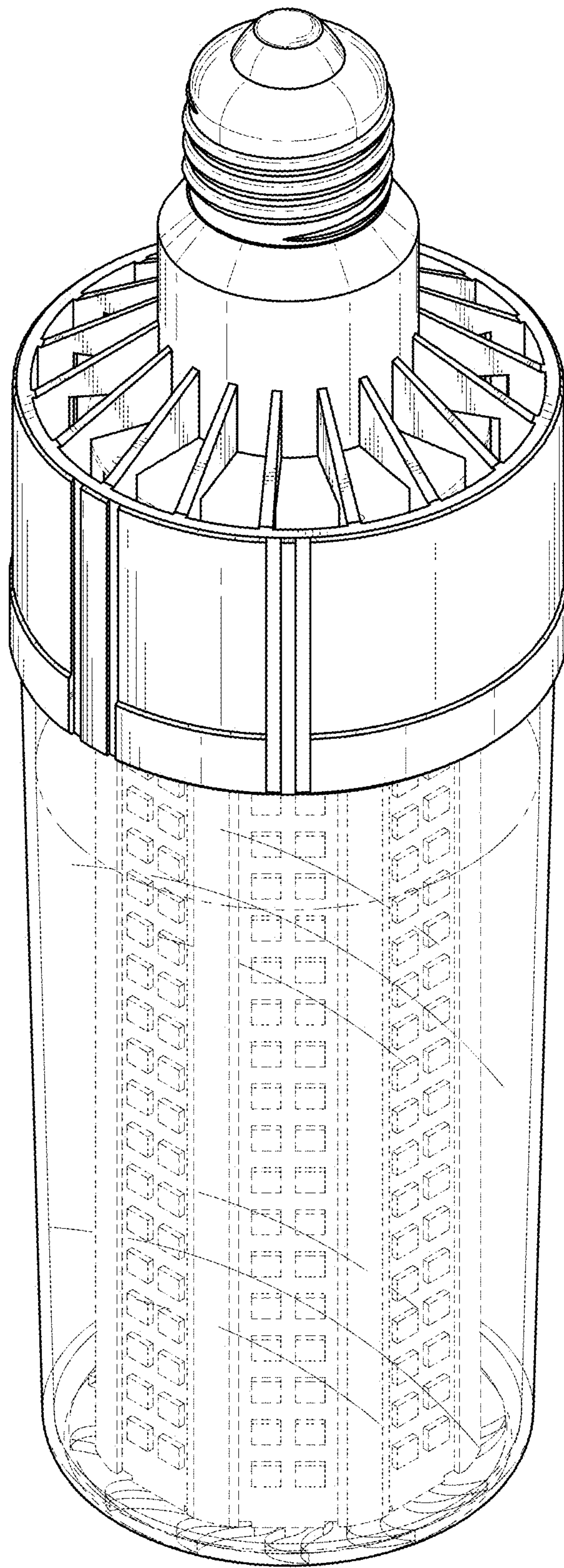


Fig. 7