



US00D895856S

(12) **United States Design Patent**  
**Lee et al.**

(10) **Patent No.: US D895,856 S**

(45) **Date of Patent: \*\* Sep. 8, 2020**

(54) **LED BULB**

5/48; H01J 5/50; H01J 19/54; F21V 5/00;  
F21K 9/13; F21K 9/135; F21K 9/1375

(71) Applicant: **Lumileds Holding B.V.**, Schiphol (NL)

See application file for complete search history.

(72) Inventors: **Lawrence Lee**, Shanghai (CN); **Bao Wang**, Shanghai (CN); **Ying Huang**, Shanghai (CN); **Gary Dong**, Shanghai (CN); **Jonathan Zou**, Shanghai (CN); **Gaojie Yu**, Shanghai (CN); **Fangzhong Shen**, Shanghai (CN); **Song Yang**, Shanghai (CN)

(56) **References Cited**

U.S. PATENT DOCUMENTS

D392,057 S *	3/1998	Chen .....	D26/2
D405,201 S *	2/1999	Lodhie .....	D26/2
D426,899 S *	6/2000	Au Yeng .....	D26/2
D543,644 S *	5/2007	Bembridge .....	D26/2
D689,219 S *	9/2013	Zhang .....	D26/2

(73) Assignee: **Lumileds Holding B.V.**, Schiphol (NL)

\* cited by examiner

(\*\*) Term: **15 Years**

*Primary Examiner* — Marcus A Jackson

(21) Appl. No.: **29/683,155**

(74) *Attorney, Agent, or Firm* — Seyfarth Shaw LLP

(22) Filed: **Mar. 11, 2019**

(57) **CLAIM**

The ornamental design for an LED bulb, as shown and described.

(30) **Foreign Application Priority Data**

**DESCRIPTION**

Sep. 11, 2018 (CN) ..... 2018 3 0508464

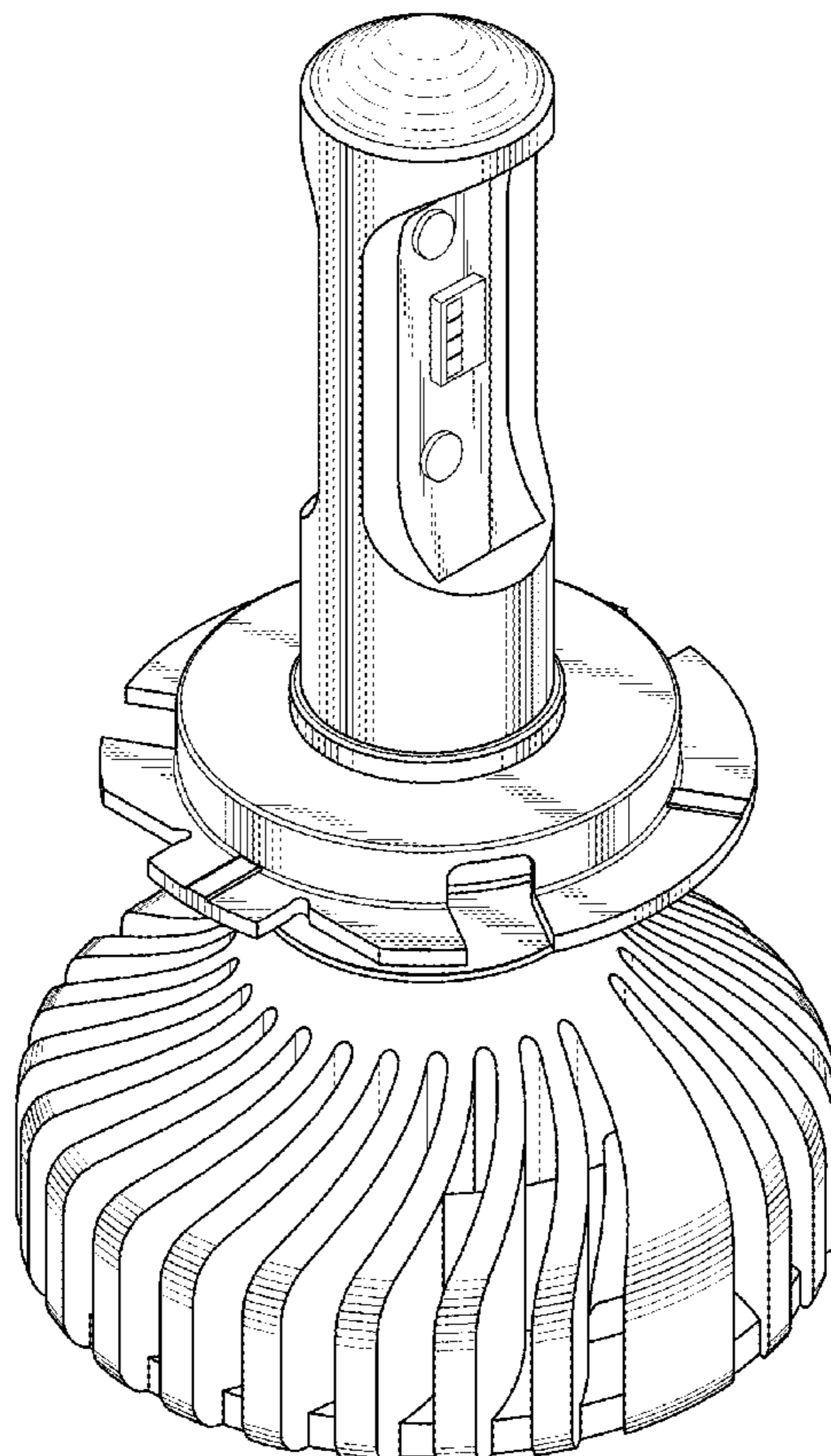
(51) **LOC (12) Cl.** ..... **26-04**

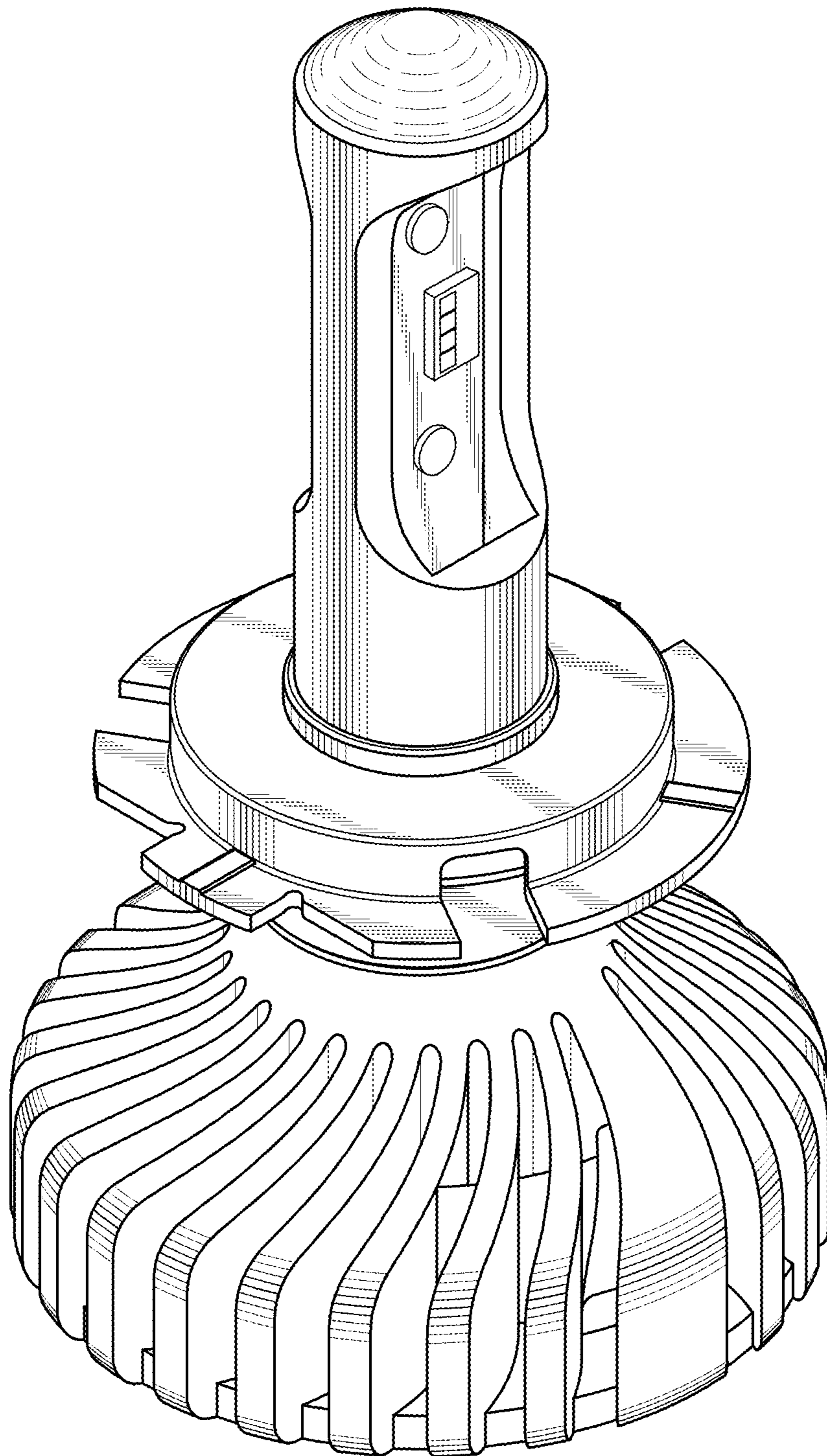
(52) **U.S. Cl.**  
USPC ..... **D26/2**

(58) **Field of Classification Search**  
USPC ..... D26/1-4  
CPC ..... H01R 5/00; H01R 13/46; H01R 13/514;  
H01R 31/048; H01R 31/02; H01J 5/00;  
H01J 5/16; H01J 1/02; H01J 15/00; H01J

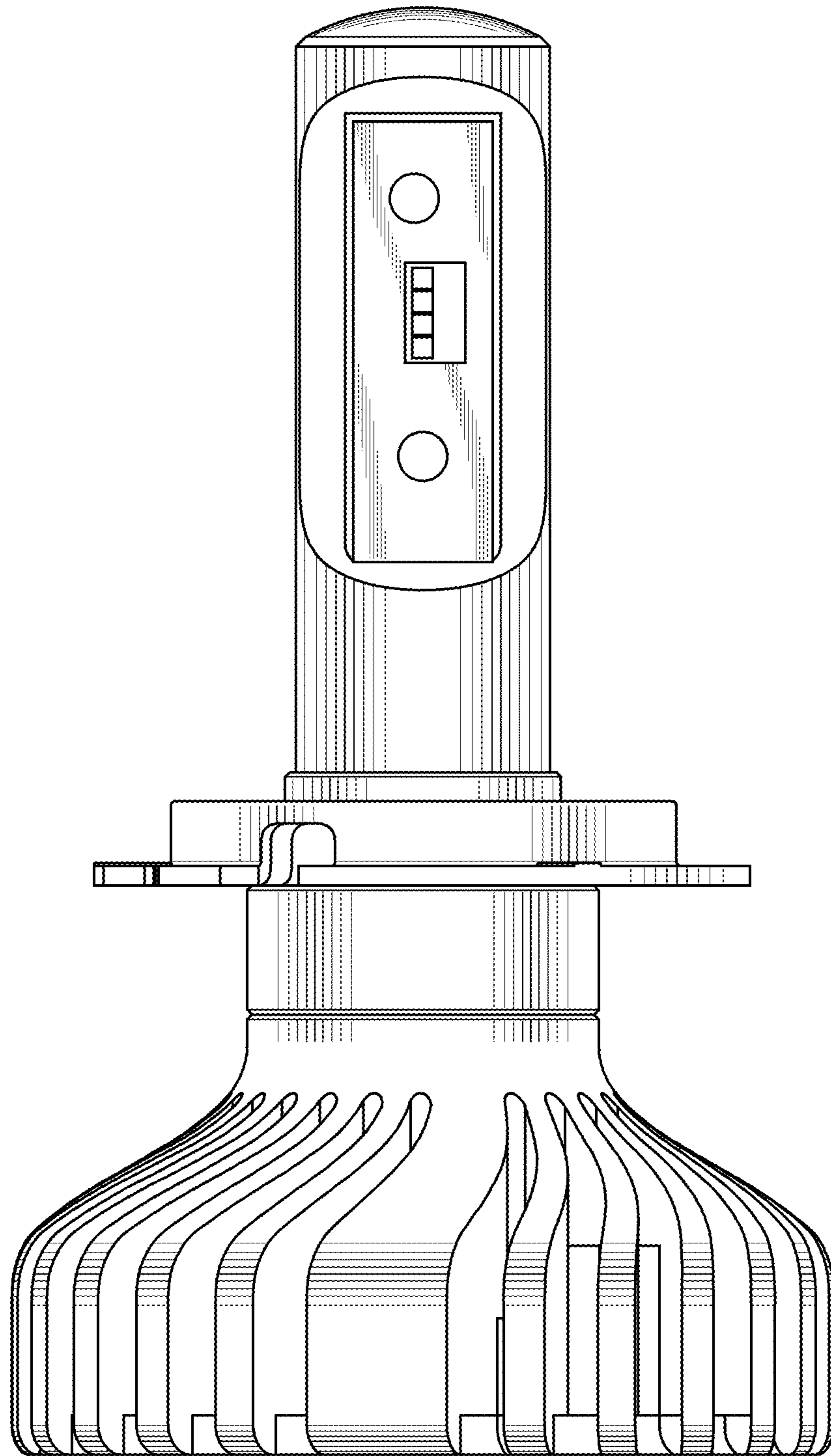
FIG. 1 is a perspective view of an LED bulb in accordance with our design;  
FIG. 2 is a front elevation view thereof;  
FIG. 3 is a rear elevation view thereof;  
FIG. 4 is a right-side elevation view thereof;  
FIG. 5 is a left-side elevation view thereof;  
FIG. 6 is a top plan view thereof; and,  
FIG. 7 is a bottom plan view thereof.

**1 Claim, 7 Drawing Sheets**



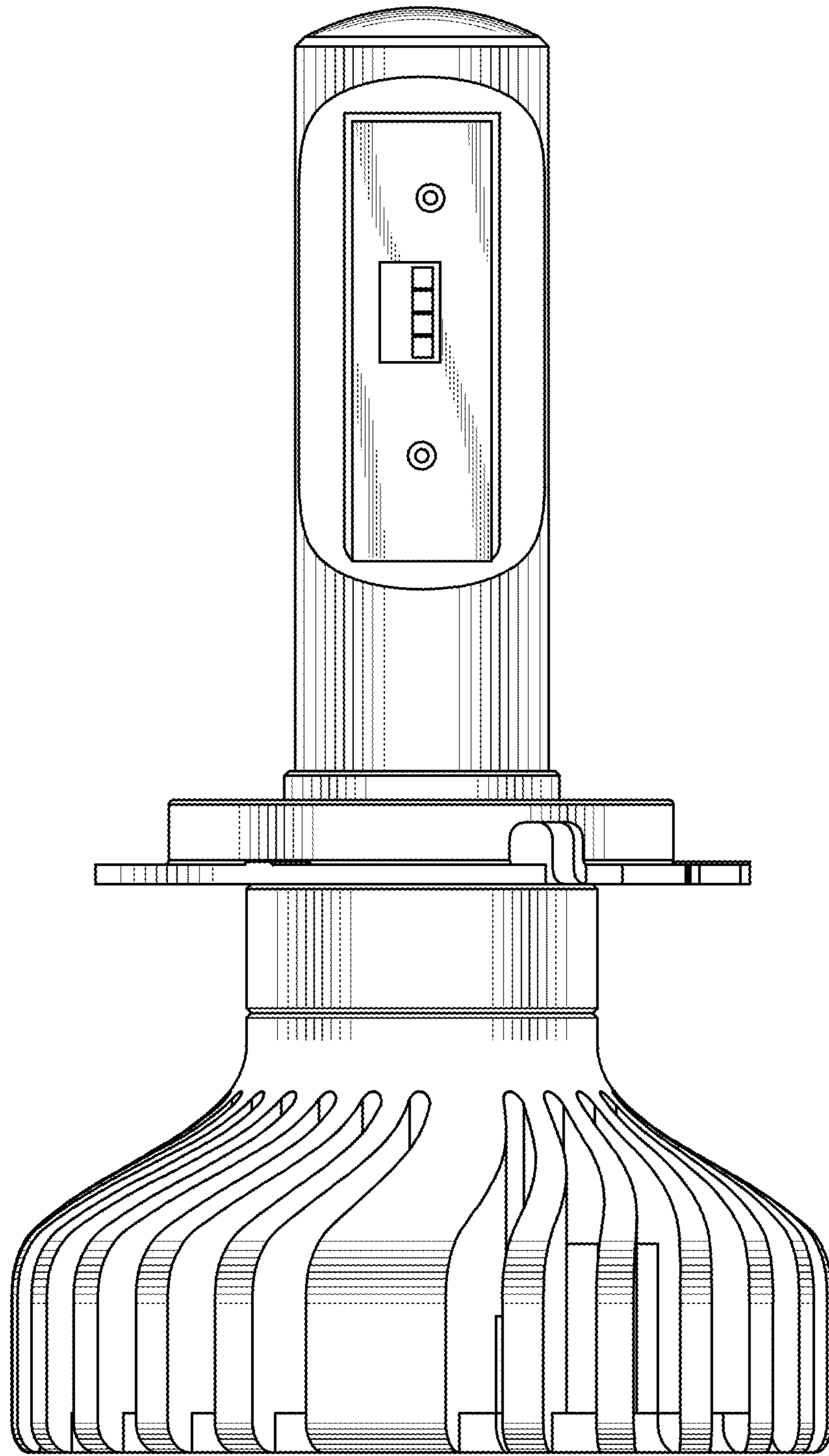


*Fig.1*

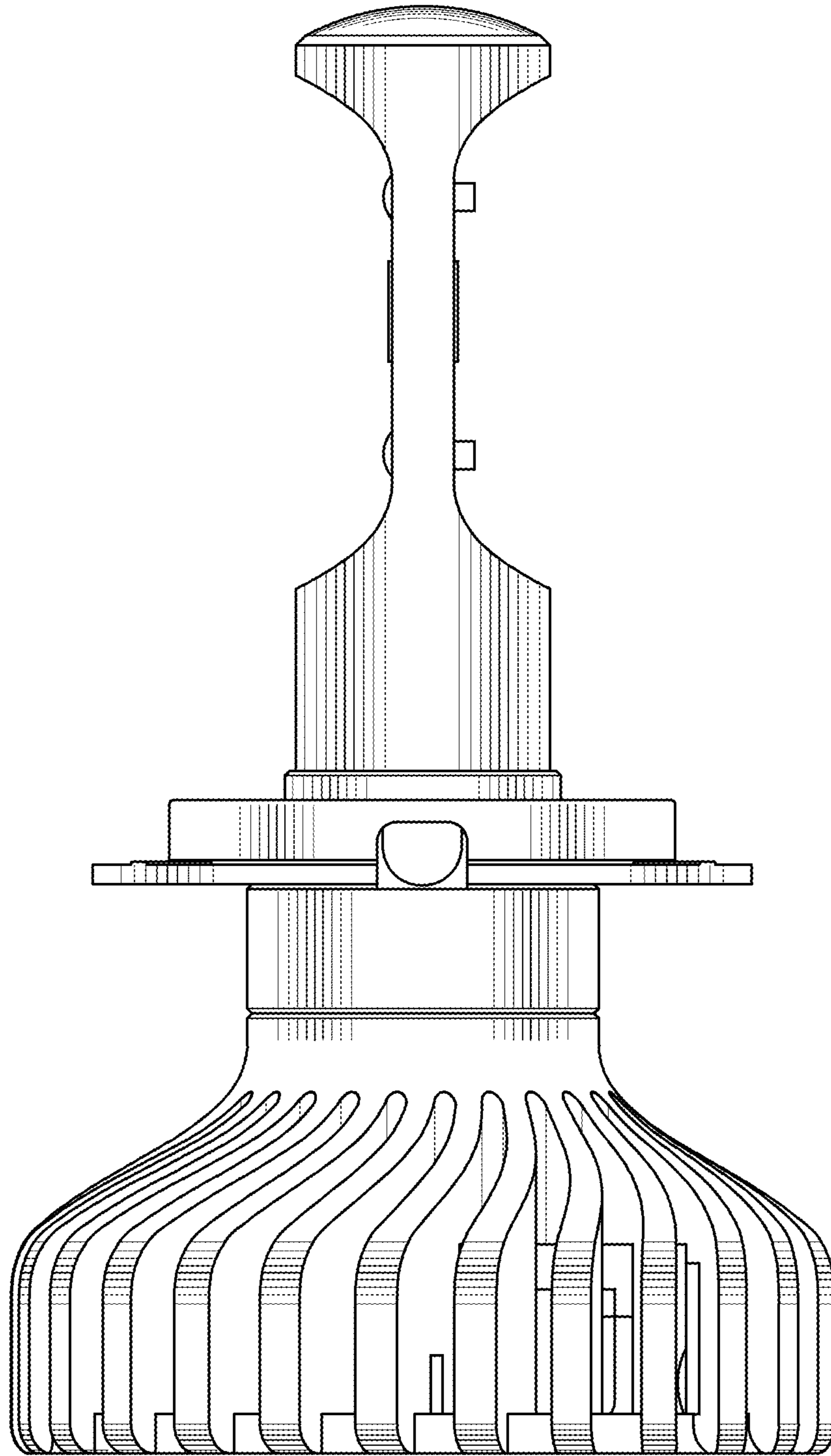


*Fig.2*

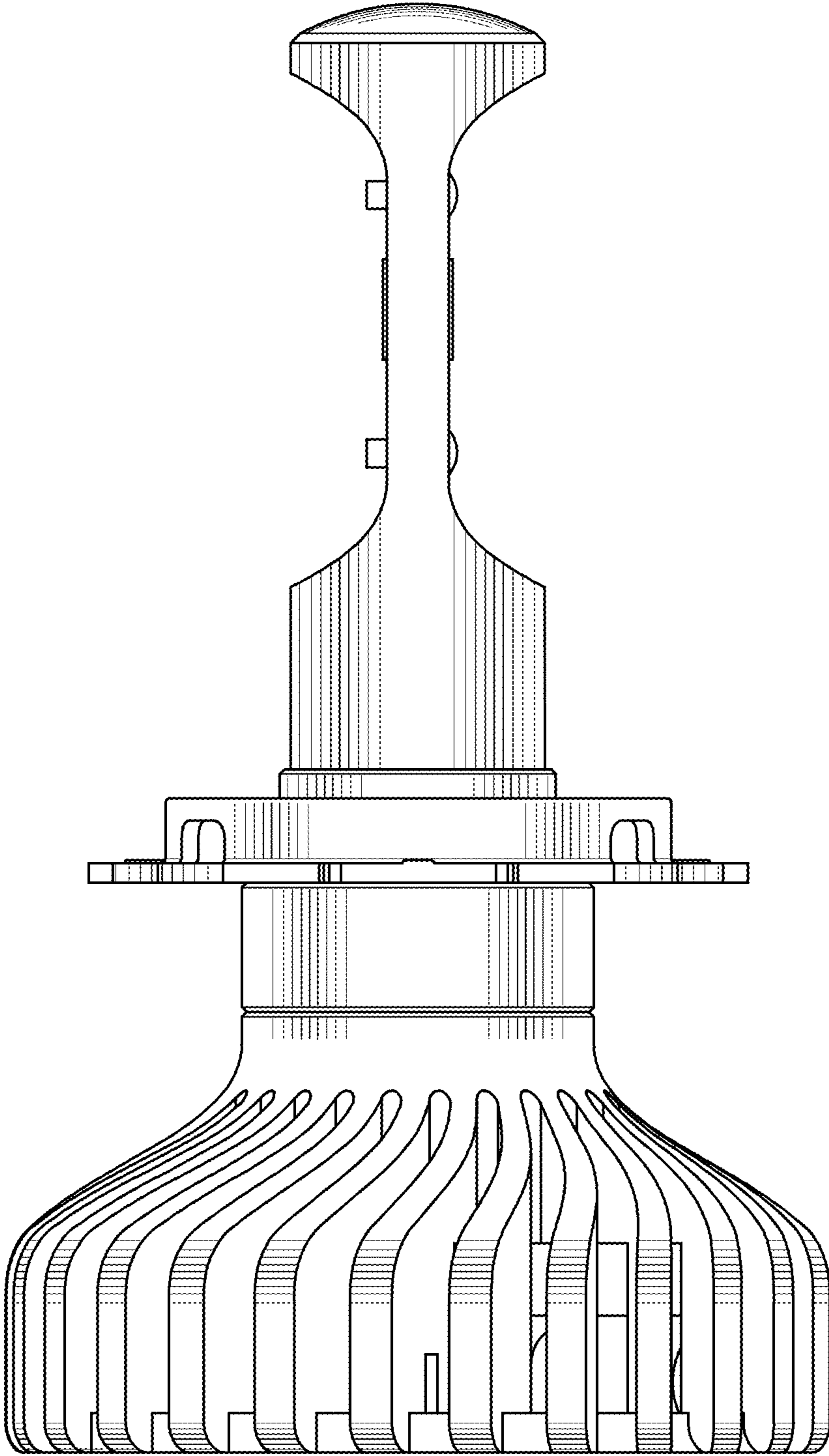




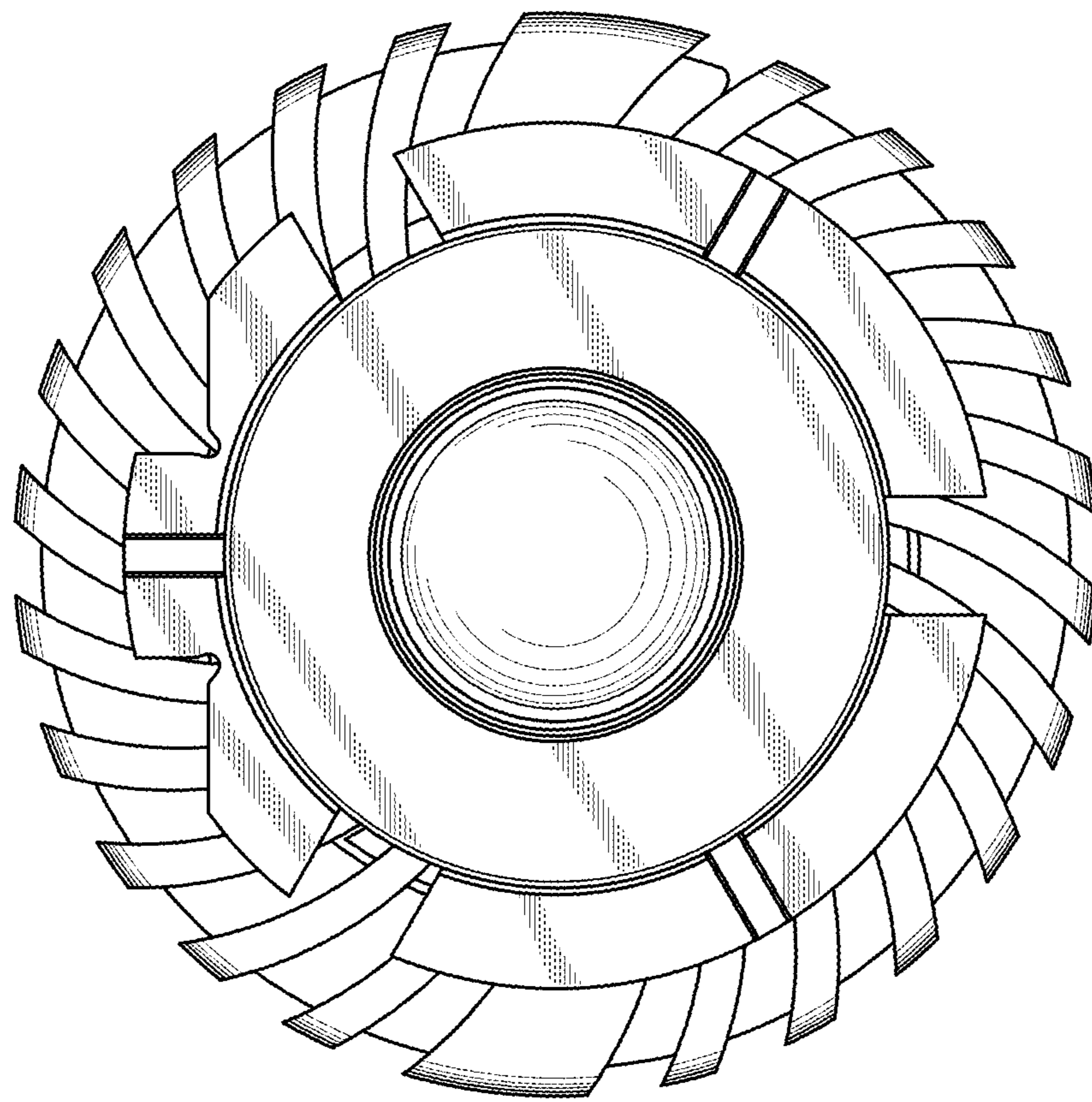
*Fig.3*



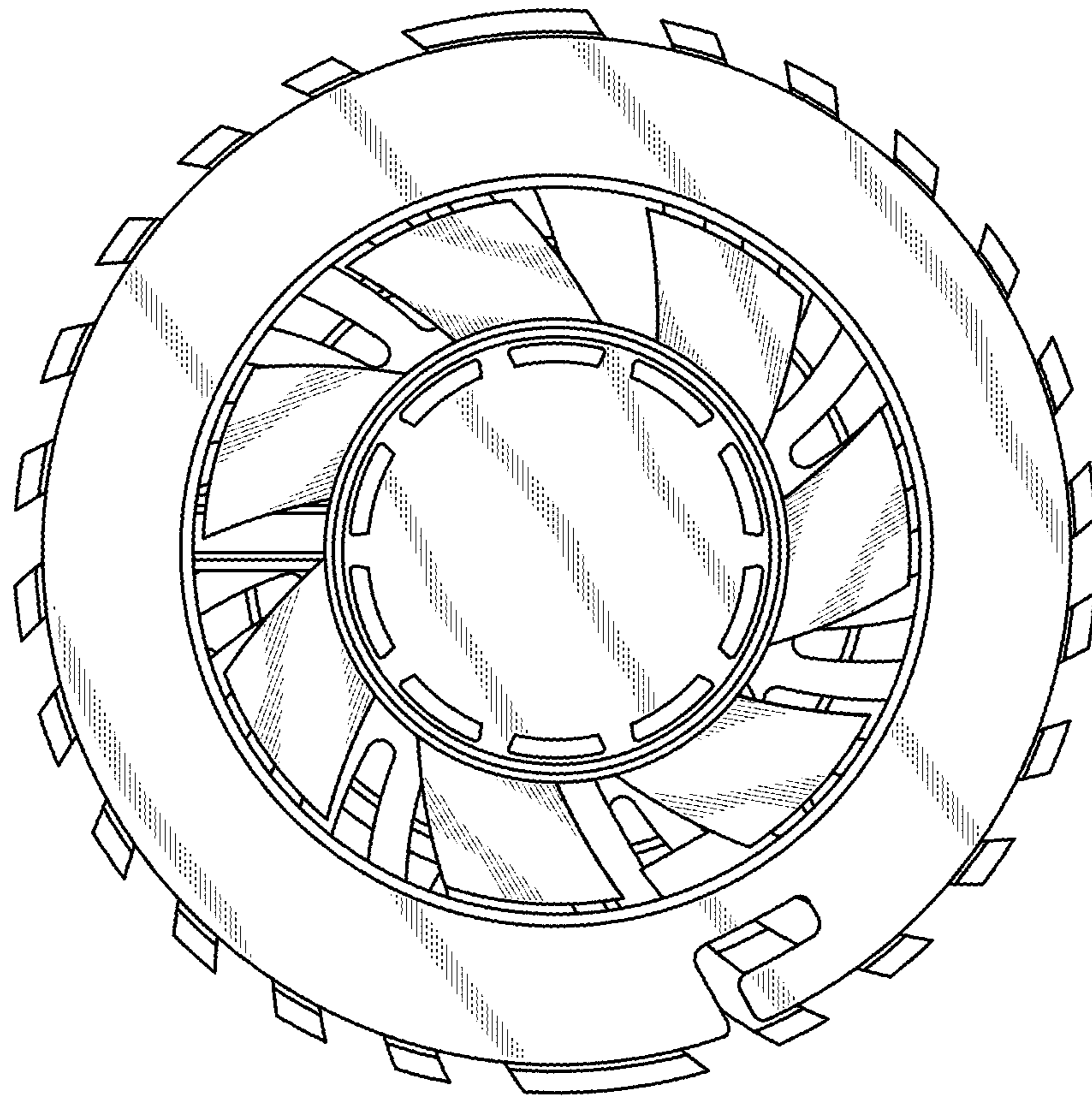
*Fig.4*



*Fig.5*



*Fig.6*



*Fig.7*