



US00D895853S

(12) **United States Design Patent** (10) **Patent No.:** **US D895,853 S**
Lin (45) **Date of Patent:** **** Sep. 8, 2020**

(54) **BULB**

(71) Applicant: **XIAMEN ECO LIGHTING CO., LTD.**, Xiamen, Fujian Province (CN)

(72) Inventor: **Yunnan Lin**, Xiamen (CN)

(73) Assignee: **XIAMEN ECO LIGHTING CO., LTD.**, Xiamen, Fujian (CN)

(**) Term: **15 Years**

(21) Appl. No.: **29/679,515**

(22) Filed: **Feb. 7, 2019**

(51) **LOC (12) Cl.** **26-04**

(52) **U.S. Cl.**
USPC **D26/2**

(58) **Field of Classification Search**
USPC D26/1-4
CPC H01R 5/00; H01R 13/46; H01R 13/514;
H01R 31/048; H01R 31/02; H01J 5/00;
H01J 5/16; H01J 1/02; H01J 15/00; H01J
5/48; H01J 5/50; H01J 19/54; F21V 5/00;
F21K 9/13; F21K 9/135; F21K 9/1375

See application file for complete search history.

(56) **References Cited**

U.S. PATENT DOCUMENTS

D528,227 S *	9/2006	Chou	D26/2
D560,286 S *	1/2008	Maxik	D26/2
D566,300 S *	4/2008	Lo	D26/2
D570,504 S *	6/2008	Maxik	D26/2

* cited by examiner

Primary Examiner — Marcus A Jackson

(74) *Attorney, Agent, or Firm* — Proi Intellectual Property US; Klaus Michael Schmid

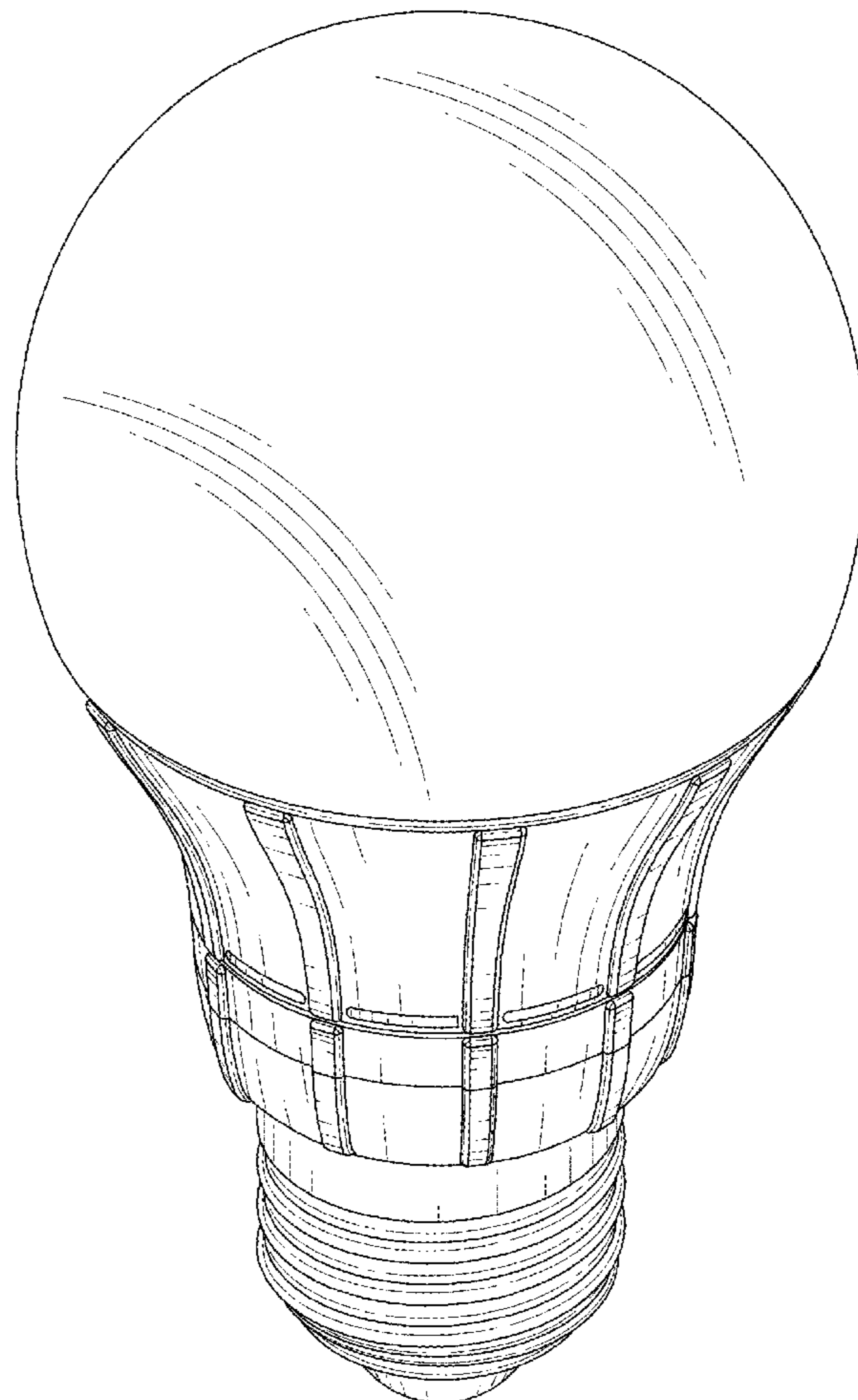
(57) **CLAIM**

“The ornamental design for a bulb, as shown and described”.

DESCRIPTION

FIG. 1 is a perspective top view of a bulb;
FIG. 2 is a perspective bottom view thereof;
FIG. 3 is a front view thereof;
FIG. 4 is a rear view thereof;
FIG. 5 is a top view thereof;
FIG. 6 is a bottom view thereof;
FIG. 7 is a left side view thereof; and,
FIG. 8 is a right side view thereof.

1 Claim, 8 Drawing Sheets



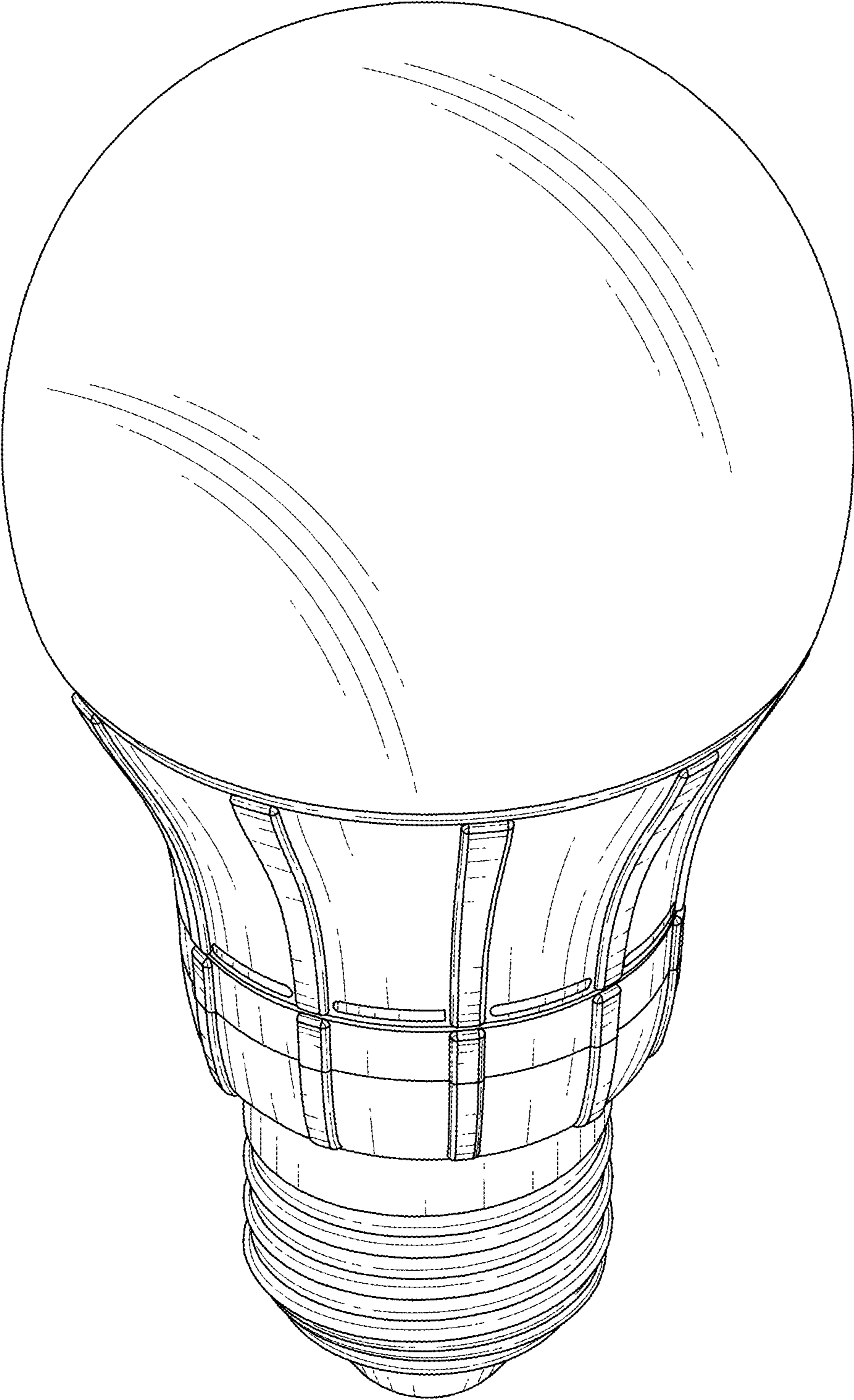


FIG. 1

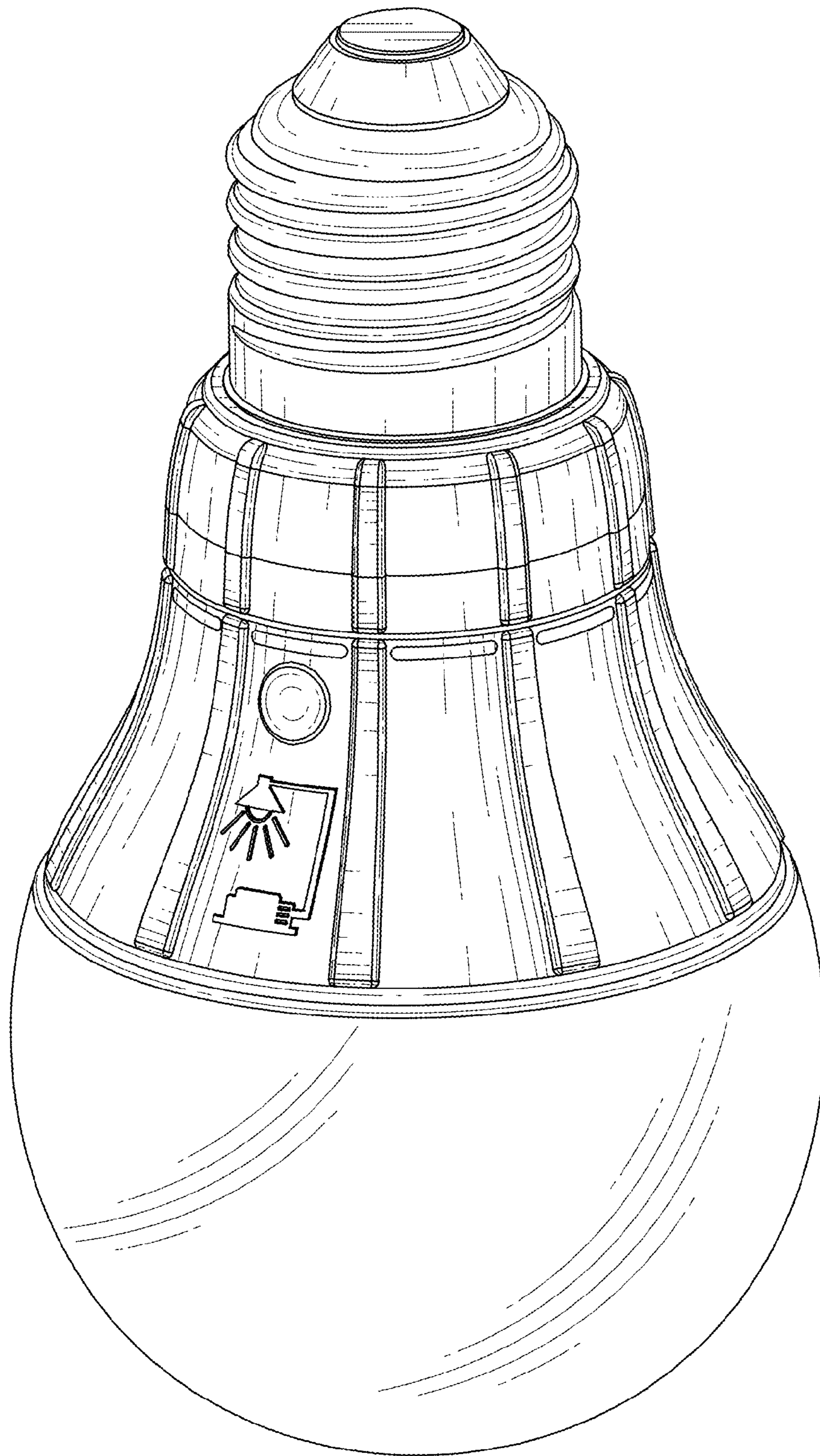


FIG. 2

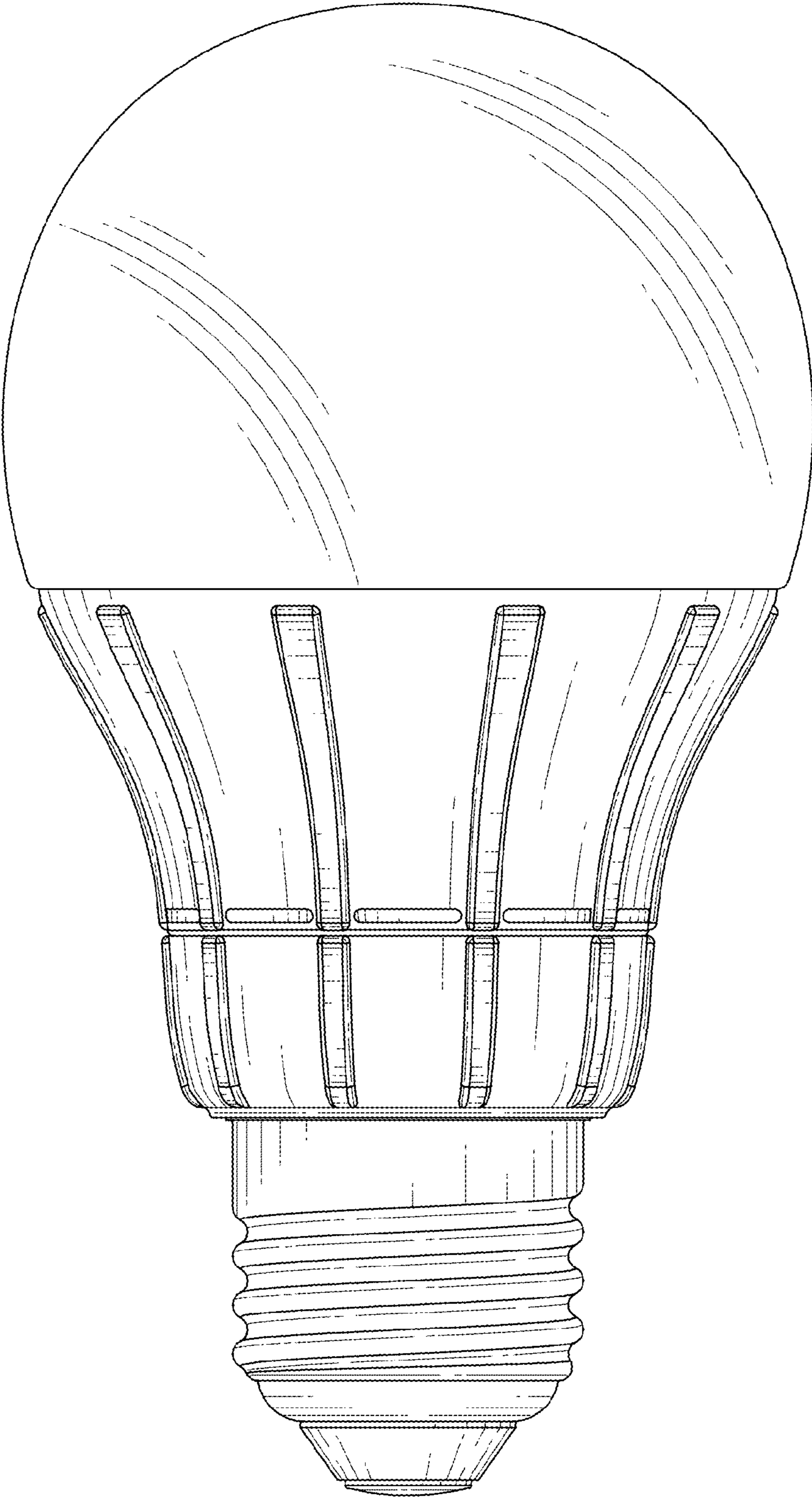


FIG. 3

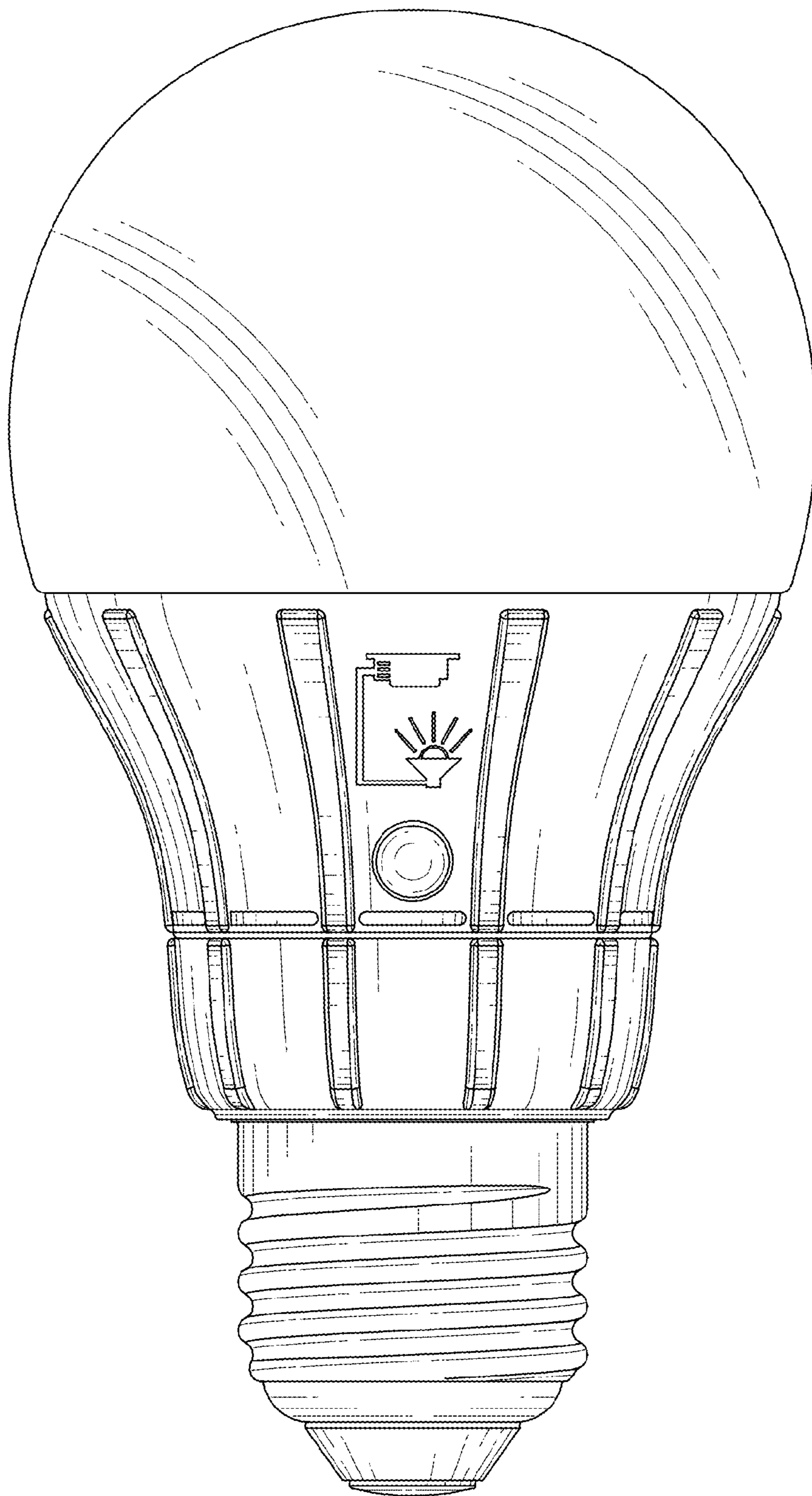


FIG. 4

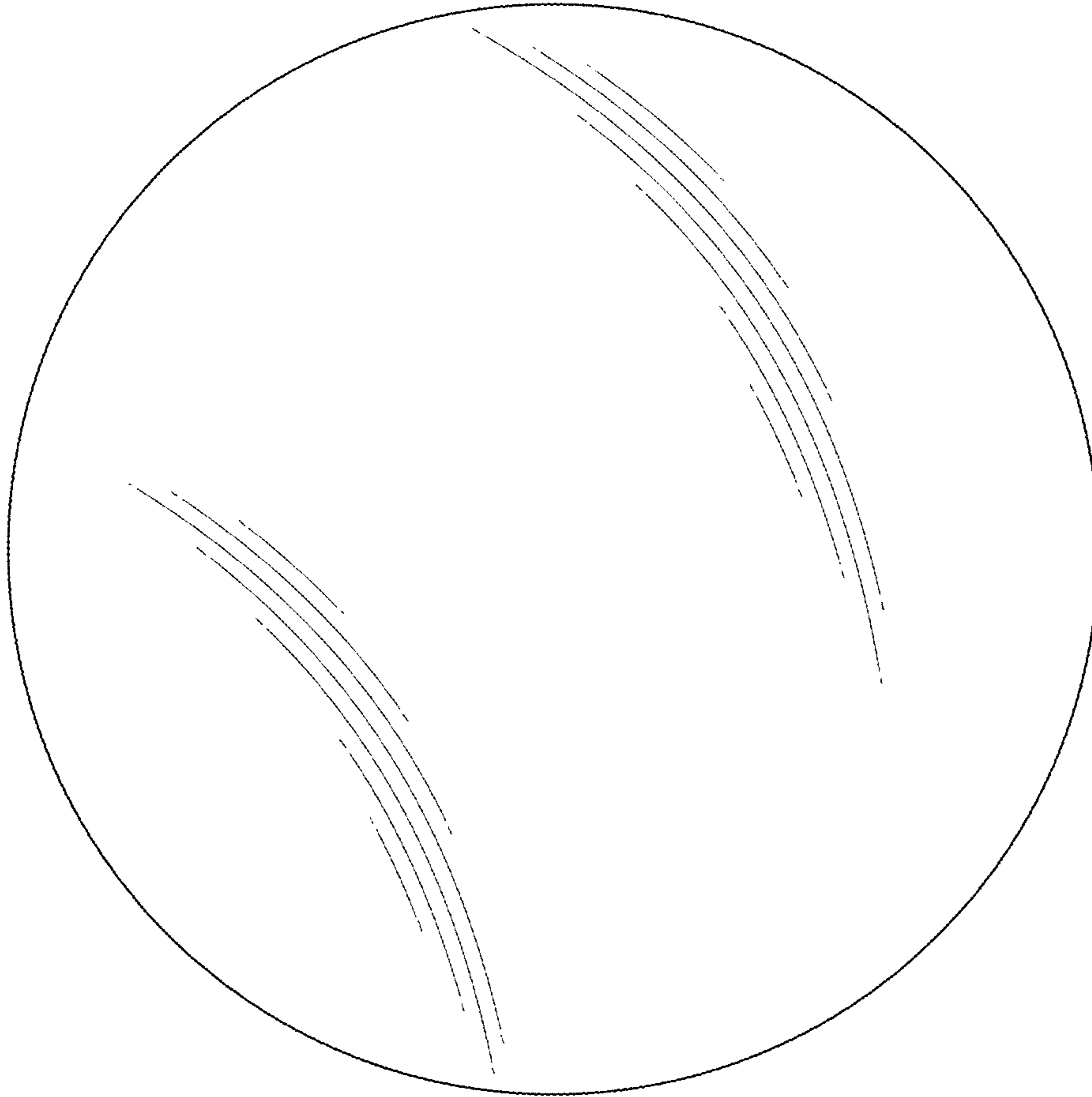


FIG. 5

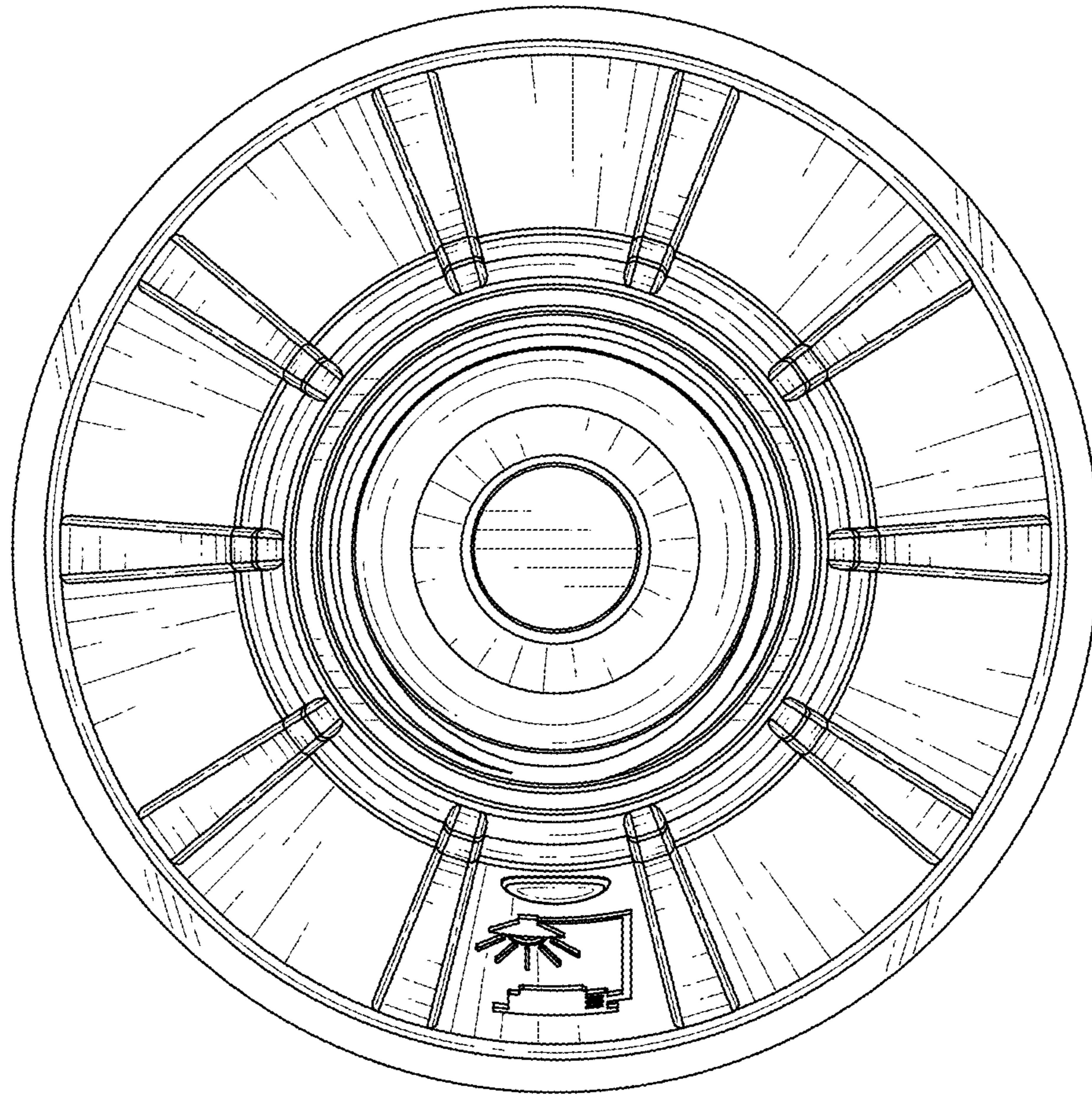


FIG. 6

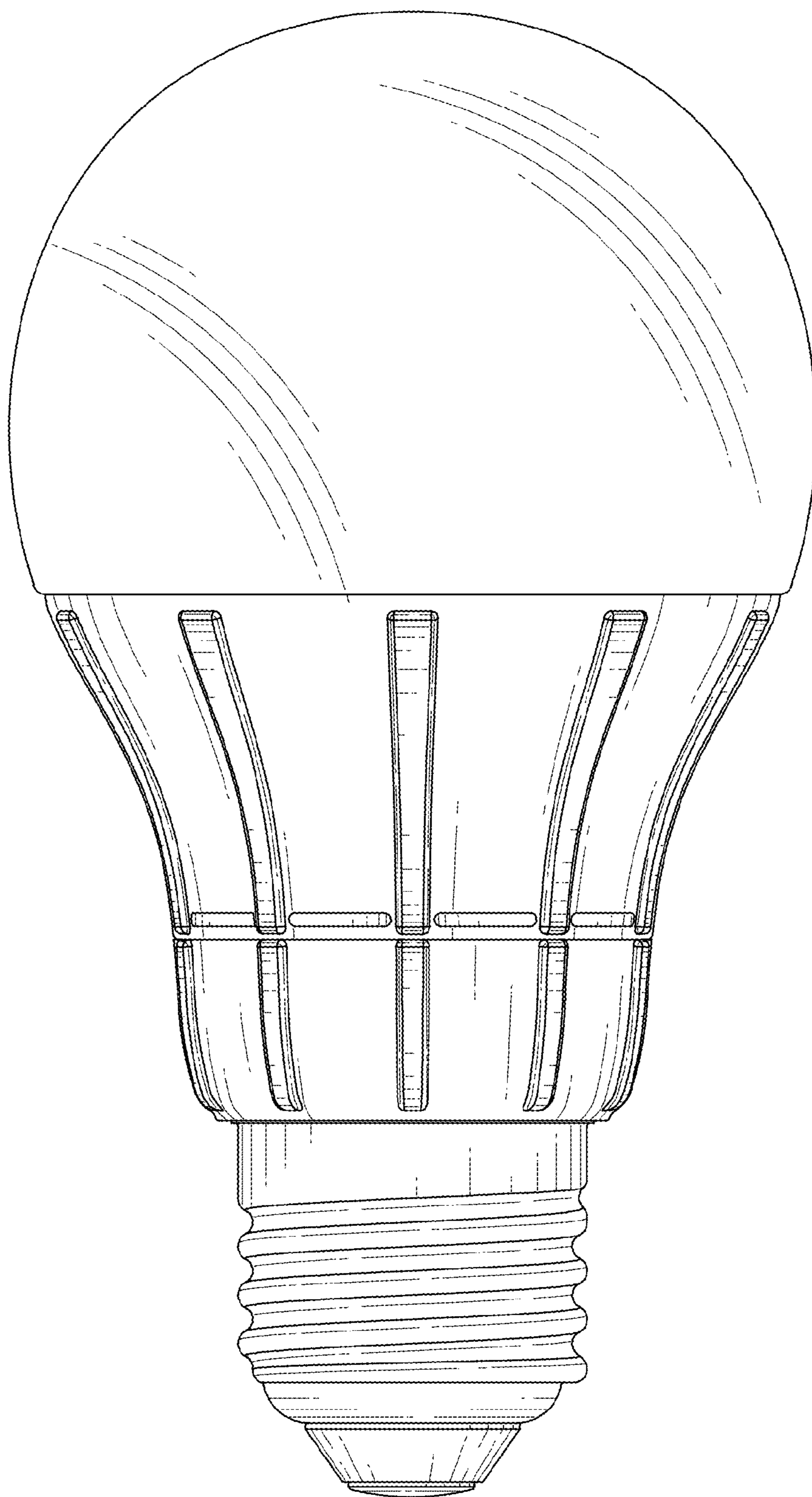


FIG. 7

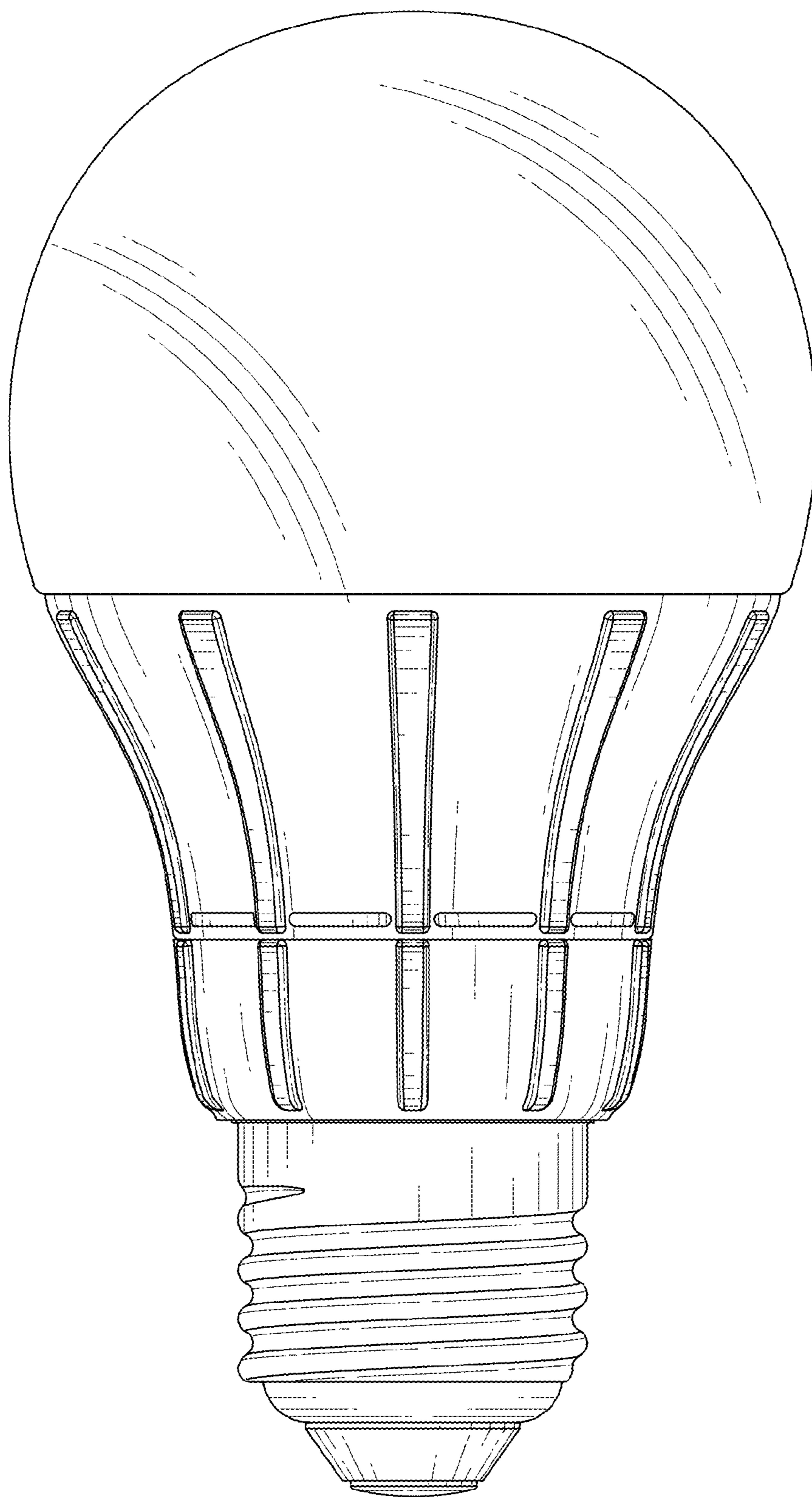


FIG. 8