



US00D895849S

(12) **United States Design Patent**
Matt

(10) **Patent No.:** **US D895,849 S**

(45) **Date of Patent:** **** Sep. 8, 2020**

(54) **DISPLAY TILE**

(71) Applicant: **Chips Unlimited, Inc.**, Tempe, AZ
(US)

(72) Inventor: **Michael Matt**, Phoenix, AZ (US)

(73) Assignee: **Chips Unlimited, Inc.**, Tempe, AZ
(US)

(**) Term: **15 Years**

(21) Appl. No.: **29/626,152**

(22) Filed: **Nov. 15, 2017**

(51) **LOC (12) Cl.** **25-01**

(52) **U.S. Cl.**
USPC **D25/138**

(58) **Field of Classification Search**
USPC D25/138; D6/332
CPC A47F 5/0081; A47F 5/005; A47F 5/086;
A47F 7/163; E04F 15/02161; E04F
15/02172; E04B 2/88
See application file for complete search history.

(56) **References Cited**

U.S. PATENT DOCUMENTS

4,197,950	A *	4/1980	Ovitz, III	A47F 7/163
					211/134
4,256,043	A *	3/1981	Ovitz, III	A47F 7/163
					108/29
D373,836	S *	9/1996	Bado	D25/138
D422,094	S *	3/2000	Wolfrum	D25/138
D598,577	S *	8/2009	Li	D25/138
8,384,616	B2 *	2/2013	Elliott	G09F 9/33
					345/1.3

D697,641	S *	1/2014	Ghoujaei Yousefi	D25/138
8,769,884	B2 *	7/2014	Picchio	A47B 83/001
					52/239
D739,048	S *	9/2015	Mouchet	D25/138
9,119,487	B2 *	9/2015	Angvall	A47F 5/0081
9,357,859	B2 *	6/2016	Fanning, Jr.	A47F 5/0823
10,201,238	B2 *	2/2019	Bender	G09B 25/04

* cited by examiner

Primary Examiner — Doris Clark

(74) *Attorney, Agent, or Firm* — Snell & Wilmer L.L.P.

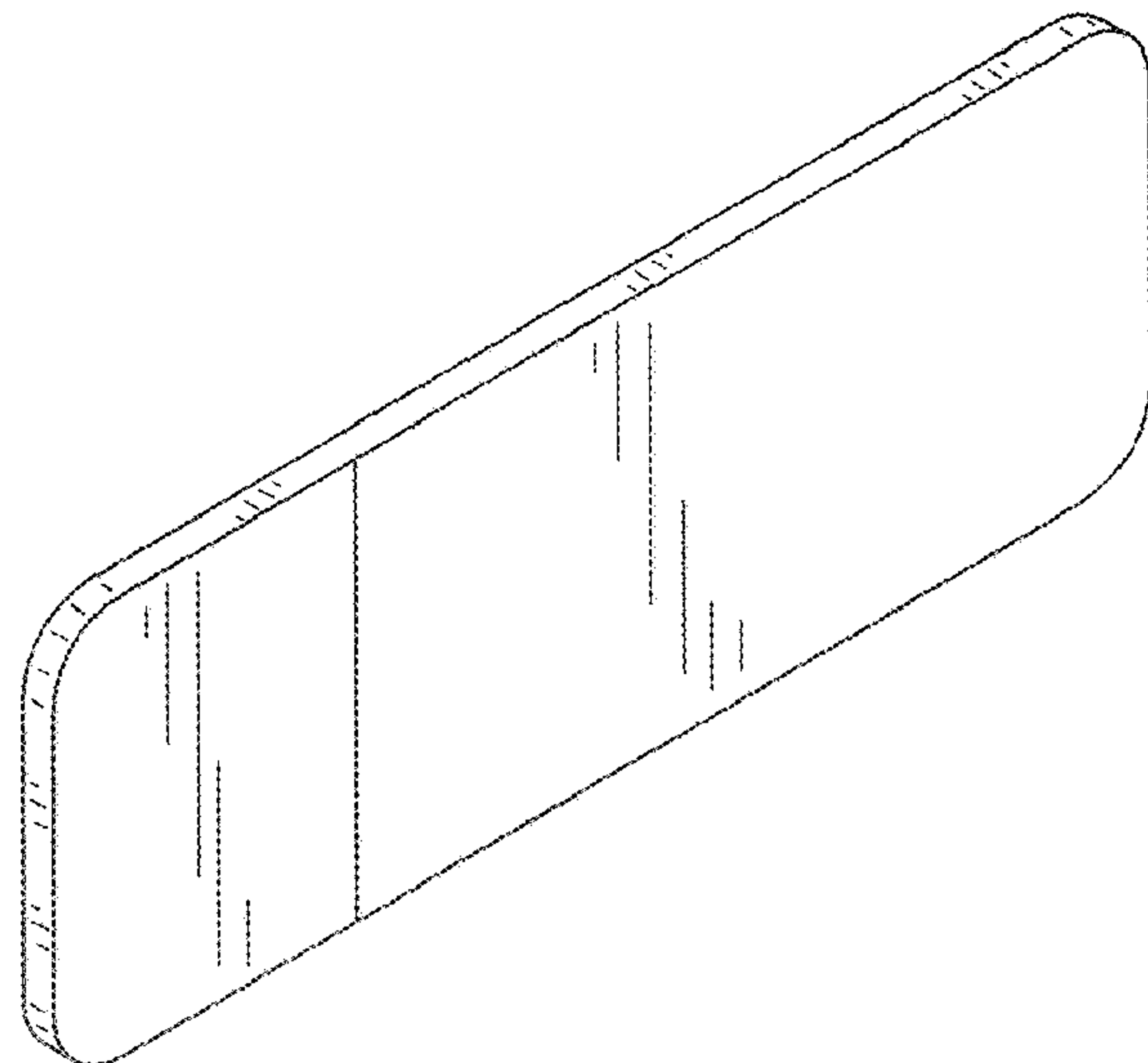
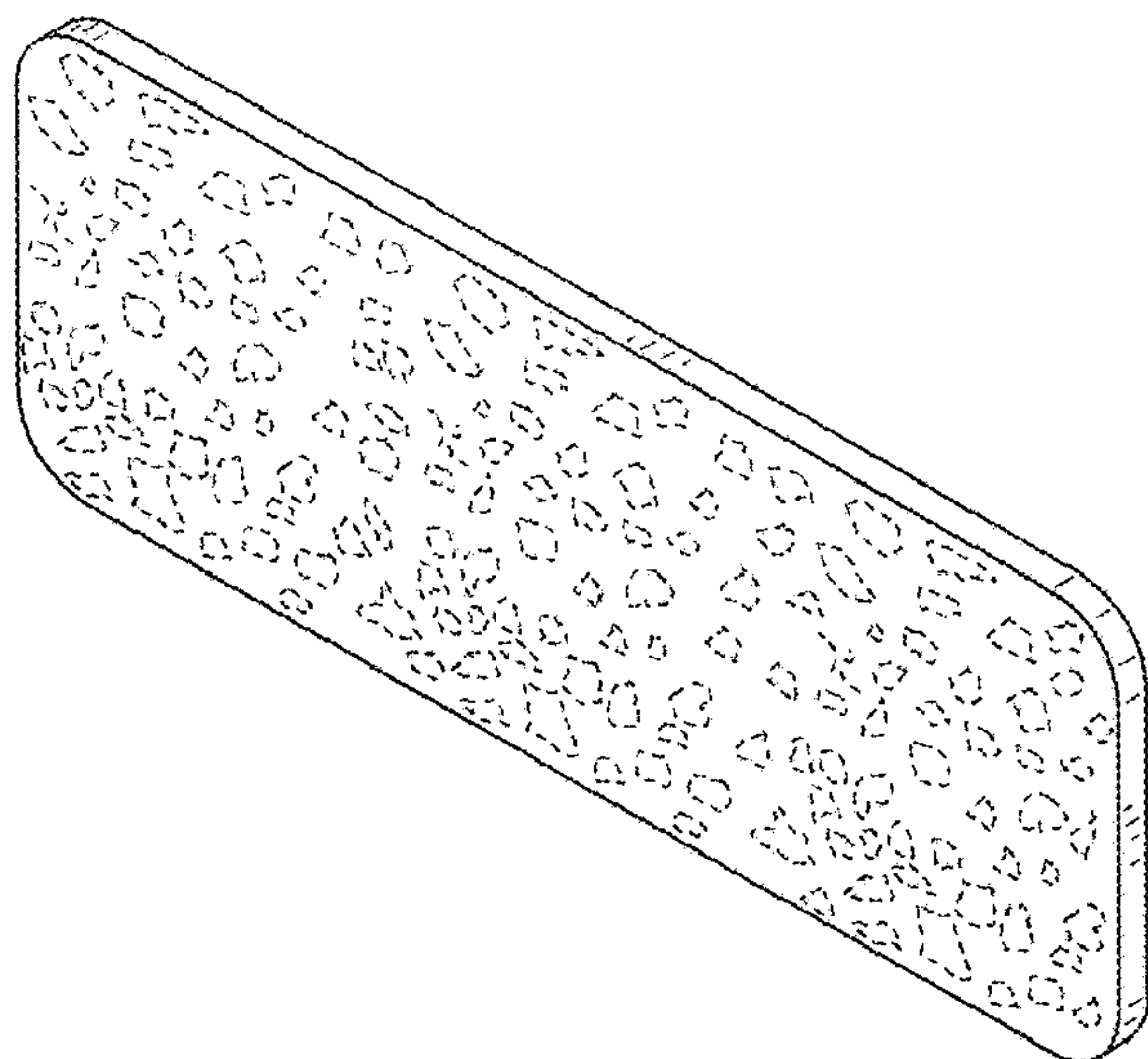
(57) **CLAIM**

The ornamental design for the display tile, as shown and described.

DESCRIPTION

FIG. 1 is a front perspective view of the display tile showing the new design;
 FIG. 2 is a rear perspective view of the display tile showing the new design;
 FIG. 3 is a front view of the display tile showing the new design;
 FIG. 4 is a back view of the display tile showing the new design;
 FIG. 5 is a top view of the display tile showing the new design;
 FIG. 6 is a bottom view of the display tile showing the new design;
 FIG. 7 is a side view of the display tile showing the new design; and,
 FIG. 8 is the opposite side view of display tile showing the new design.
 The broken lines showing embedded chips are for illustrative purposes only and form no part of the claimed design.

1 Claim, 3 Drawing Sheets



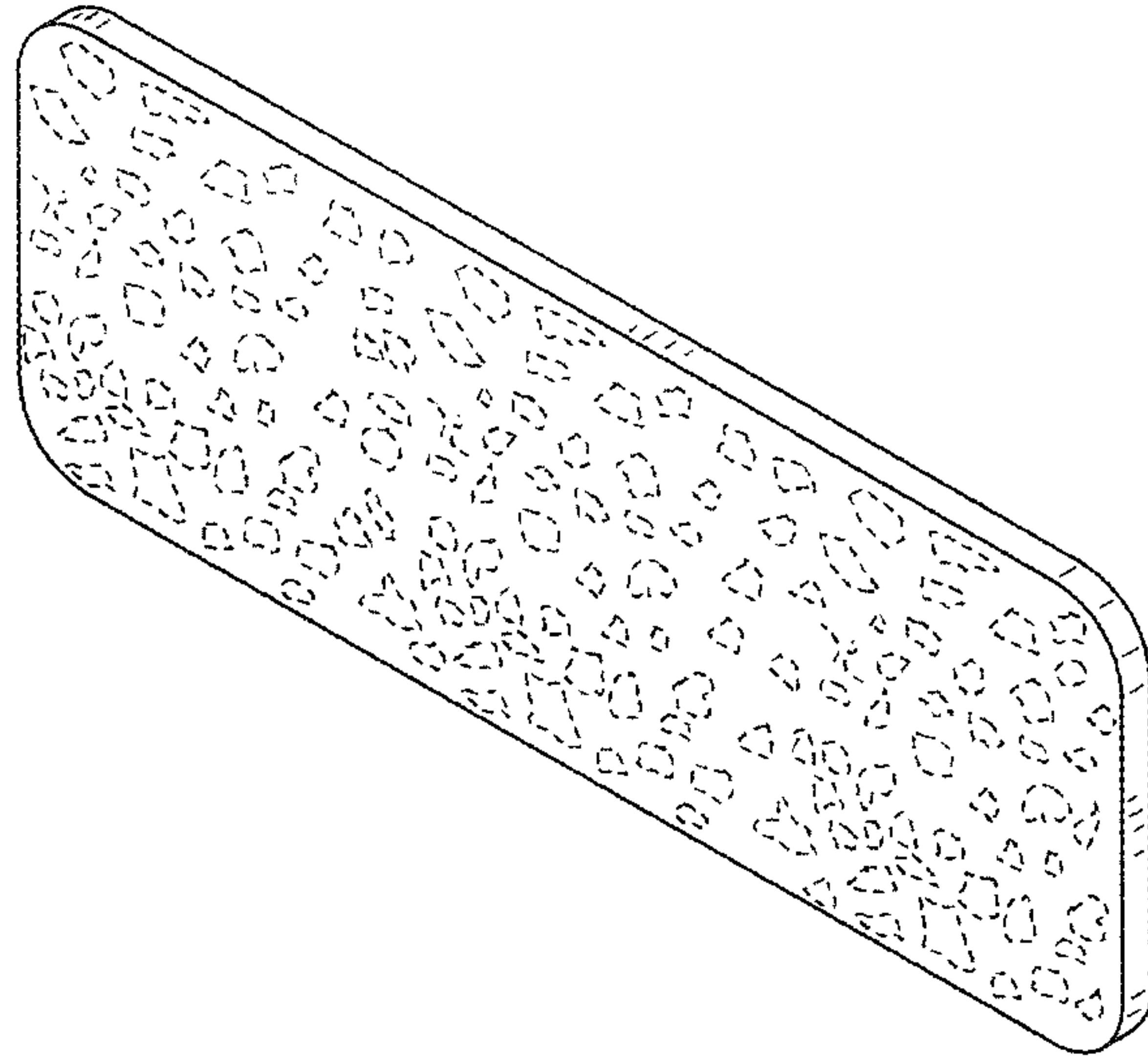


FIG. 1

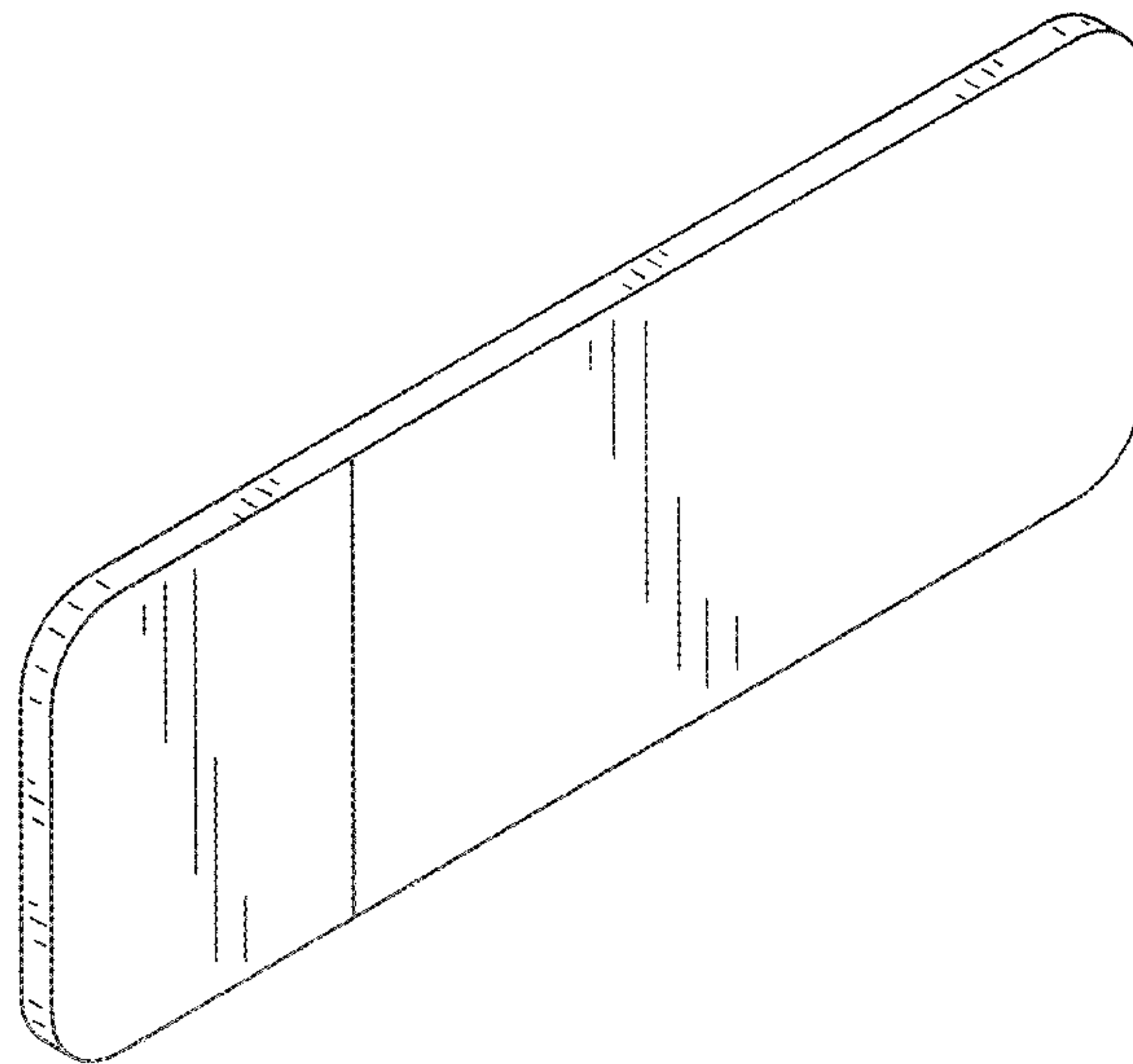


FIG. 2

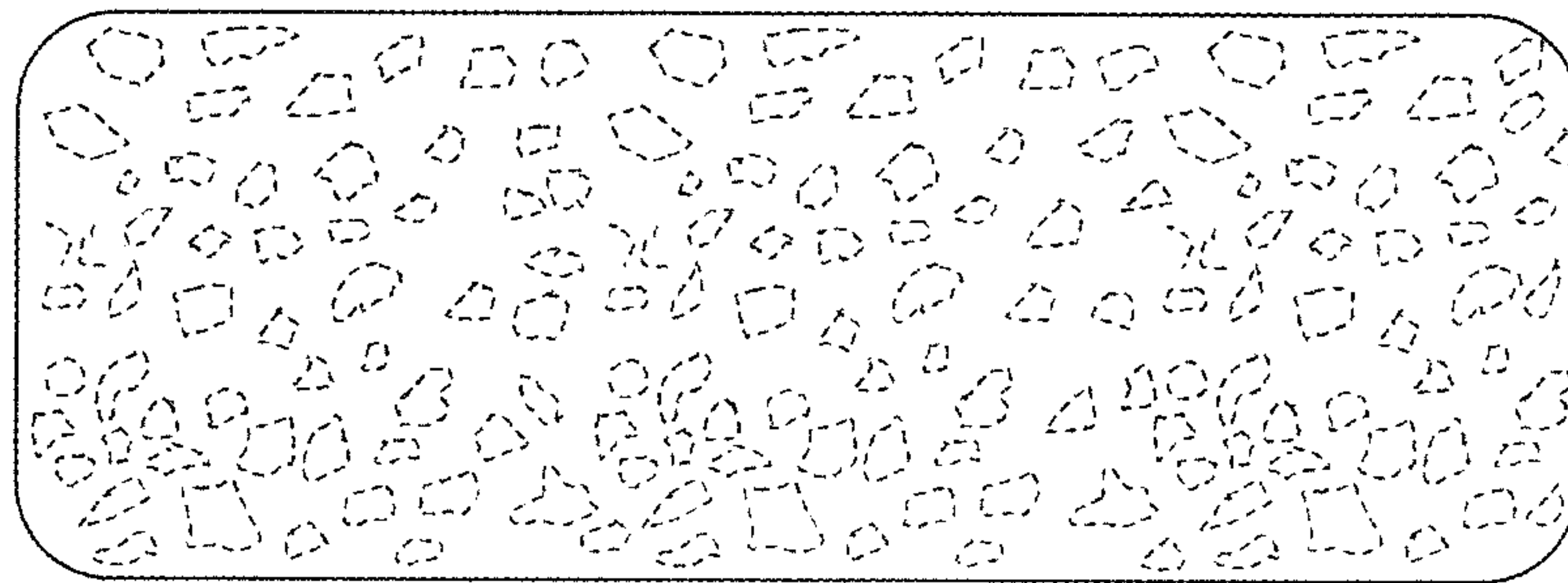


FIG.3

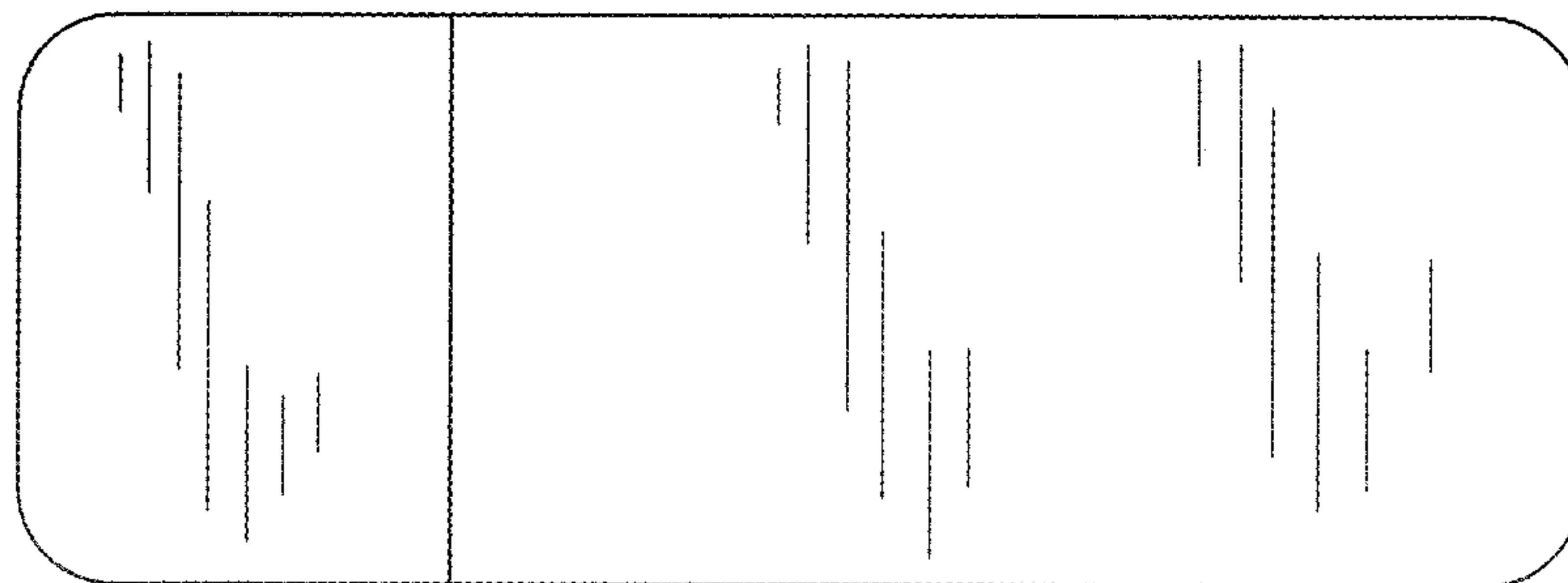


FIG.4

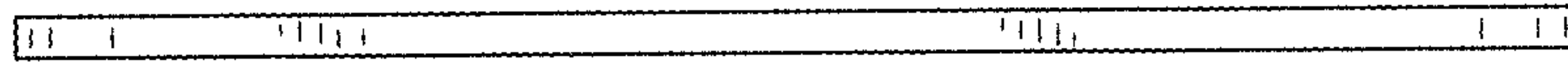


FIG. 5

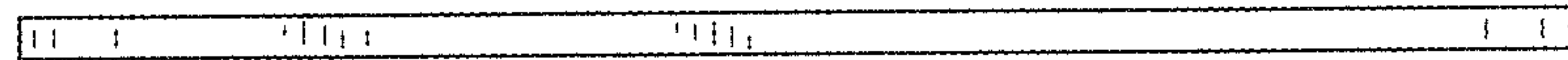


FIG. 6



FIG. 7



FIG. 8