



US00D895845S

(12) **United States Design Patent** (10) **Patent No.:** **US D895,845 S**  
**Woodward et al.** (45) **Date of Patent:** **\*\* Sep. 8, 2020**

(54) **WORK PLATFORM**

FOREIGN PATENT DOCUMENTS

(71) Applicants: **Steve Woodward**, Meadville, PA (US);  
**Thomas Parker**, Jamestown, PA (US)

GB	2207453 A	2/1989
JP	2006 022530 A	1/2006

(72) Inventors: **Steve Woodward**, Meadville, PA (US);  
**Thomas Parker**, Jamestown, PA (US)

OTHER PUBLICATIONS

(73) Assignee: **Werner Co.**, Greenville, PA (US)

Werner, "Climbing Equipment," Catalog, p. 42, (Sep. 8, 2015).  
Gorilla Ladder Model #GLP-WP, Brochure, May 2016.

(\*\*) Term: **15 Years**

*Primary Examiner* — Gino Colan

(21) Appl. No.: **29/597,388**

(74) *Attorney, Agent, or Firm* — Ansel M. Schwartz

(22) Filed: **Mar. 16, 2017**

(57) **CLAIM**

The ornamental design for a work platform, as shown and described.

**Related U.S. Application Data**

**DESCRIPTION**

(63) Continuation-in-part of application No. 15/299,099, filed on Oct. 20, 2016, which is a continuation-in-part of application No. 15/077,489, filed on Mar. 22, 2016.

(51) **LOC (12) Cl.** ..... **25-04**

(52) **U.S. Cl.**

USPC ..... **D25/66**

(58) **Field of Classification Search**

USPC ..... D25/62, 66, 68, 65; 182/118, 223, 153,  
182/141, 142, 144, 149, 222, 117, 112,  
182/181.1; D6/684; 108/129, 132

CPC .. E04G 1/30; E04G 1/34; E04G 1/152; E04G  
1/28; E04G 2001/157; B25H 1/00

See application file for complete search history.

FIG. 1 is a front perspective view of a work platform showing our new design in an open position;  
 FIG. 2 is a top plan view thereof;  
 FIG. 3 is a side elevational view thereof, the view from the other side being a mirror image of FIG. 3;  
 FIG. 4 is an end elevational view thereof, the view from the other side being a mirror image of FIG. 4;  
 FIG. 5 is a bottom plan view thereof;  
 FIG. 6 is a perspective view thereof in a closed position;  
 FIG. 7 is a top plan view thereof in a closed position;  
 FIG. 8 is a side elevational view thereof in a closed position, the view from the other side being a mirror image of FIG. 8;  
 FIG. 9 is a bottom plan view thereof in a closed position; and,  
 FIG. 10 is an end elevational view thereof in a closed position, the view from the other side being a mirror image of FIG. 10.

The broken lines shown in the figures are included for the purpose of illustrating portions of the ladder top and form no part of the claimed design.

(56) **References Cited**

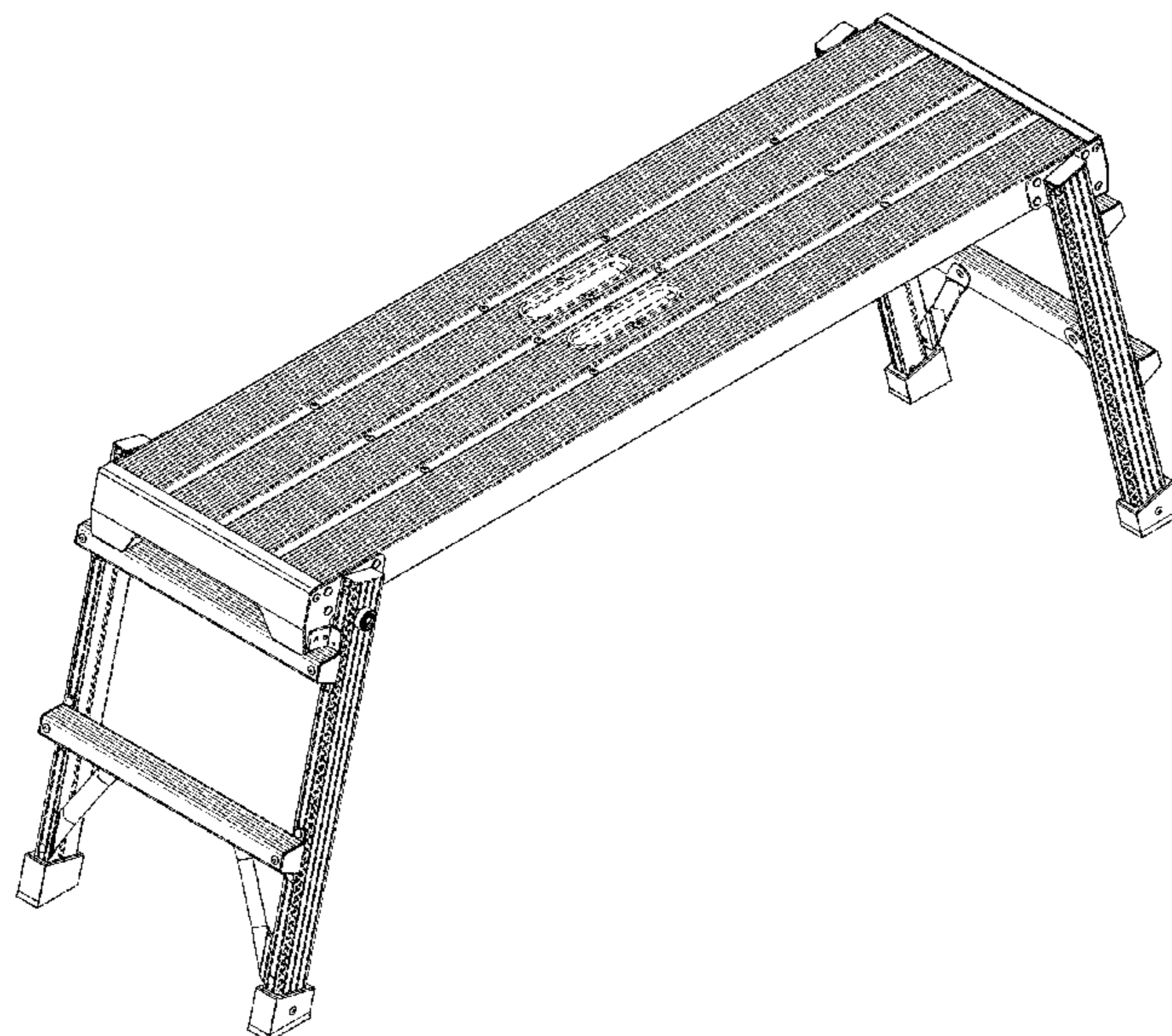
U.S. PATENT DOCUMENTS

1,133,109 A	3/1915	Derbyshire	
2,587,377 A	2/1952	Larson	
5,096,019 A	3/1992	Kelsay	
5,246,085 A *	9/1993	Liegel	..... E04G 1/34 182/113

5,678,653 A	10/1997	Clinch
5,746,288 A	5/1998	O'Neal

(Continued)

**1 Claim, 8 Drawing Sheets**



(56)

**References Cited**

## U.S. PATENT DOCUMENTS

5,984,047 A \* 11/1999 Rogers ..... A47B 3/0918  
108/132  
D461,330 S \* 8/2002 Wang ..... D6/349  
D486,243 S \* 2/2004 Yamaoka  
D486,244 S \* 2/2004 Yamaoka ..... D25/62  
D490,165 S \* 5/2004 Yamaoka ..... D25/66  
D495,426 S \* 8/2004 Yamaoka ..... D25/62  
6,892,860 B2 5/2005 Gibson  
D536,799 S \* 2/2007 Freitas ..... D25/66  
7,516,704 B2 4/2009 Snider  
8,042,653 B2 10/2011 Grebinoski et al.  
8,113,316 B2 2/2012 Sward et al.  
8,307,769 B1 11/2012 Wescott  
D704,858 S \* 5/2014 Green ..... D25/62  
9,512,627 B2 12/2016 Taron  
D776,826 S 1/2017 Foley et al.  
D781,083 S \* 3/2017 Zhu ..... D6/684  
9,752,334 B2 9/2017 Foley et al.  
2004/0238280 A1 12/2004 Gibson  
2006/0169539 A1 8/2006 Grebinoski  
2007/0101910 A1 5/2007 Haimoff  
2009/0078165 A1 3/2009 Tseng  
2010/0071996 A1 3/2010 Huang  
2017/0044780 A1 2/2017 Foley et al.

\* cited by examiner

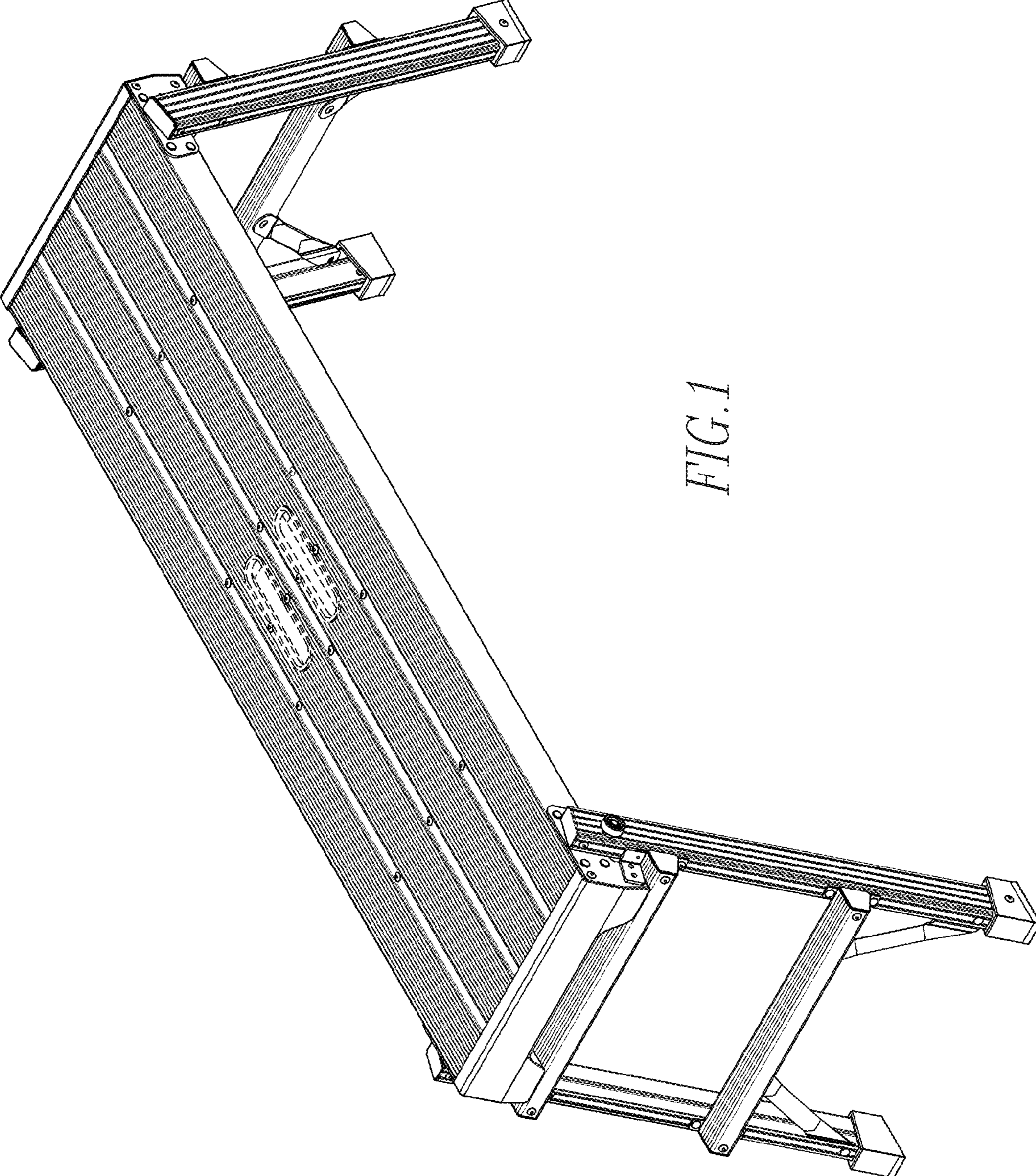


FIG. 1

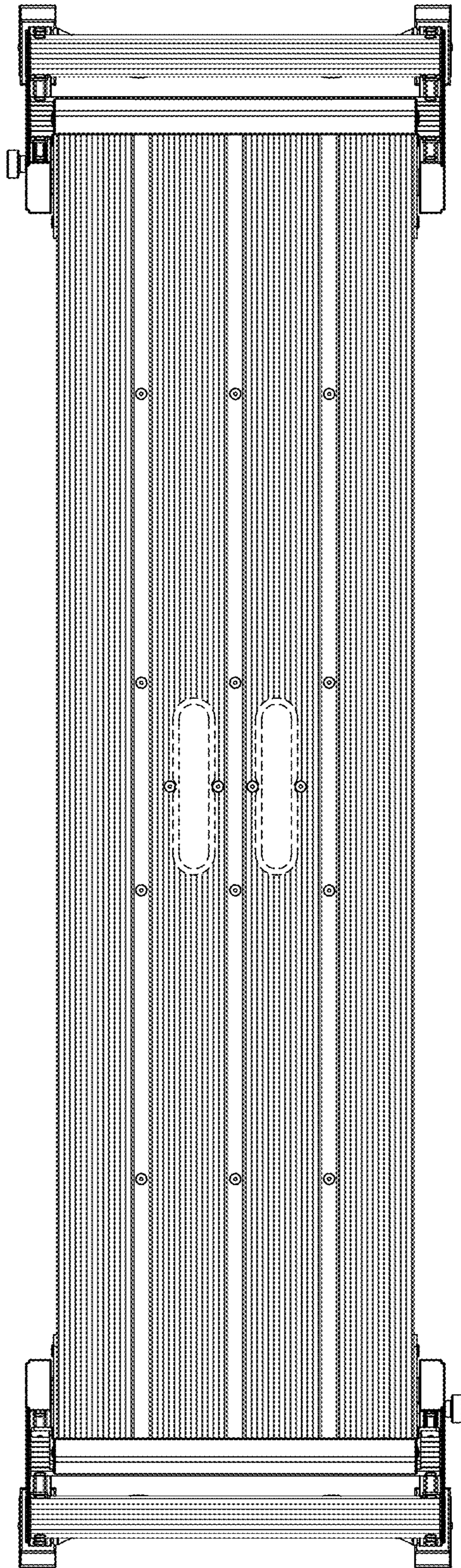


FIG. 2

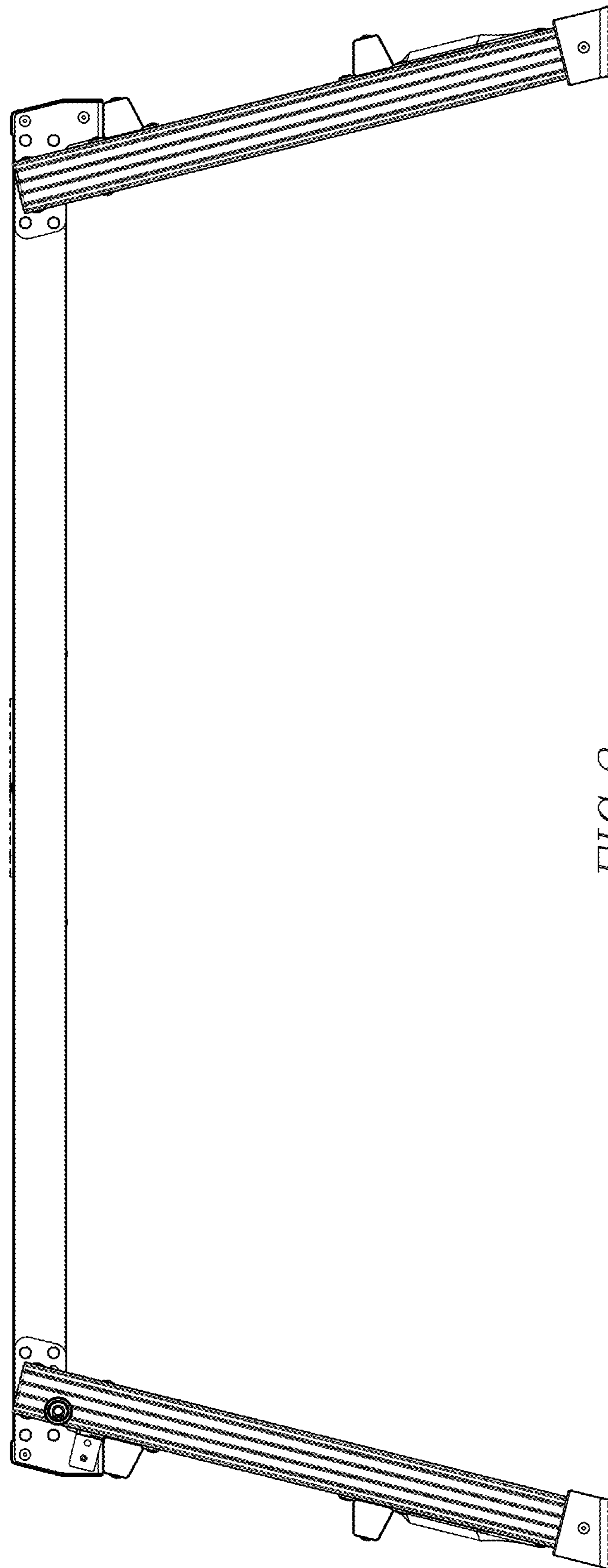


FIG. 3

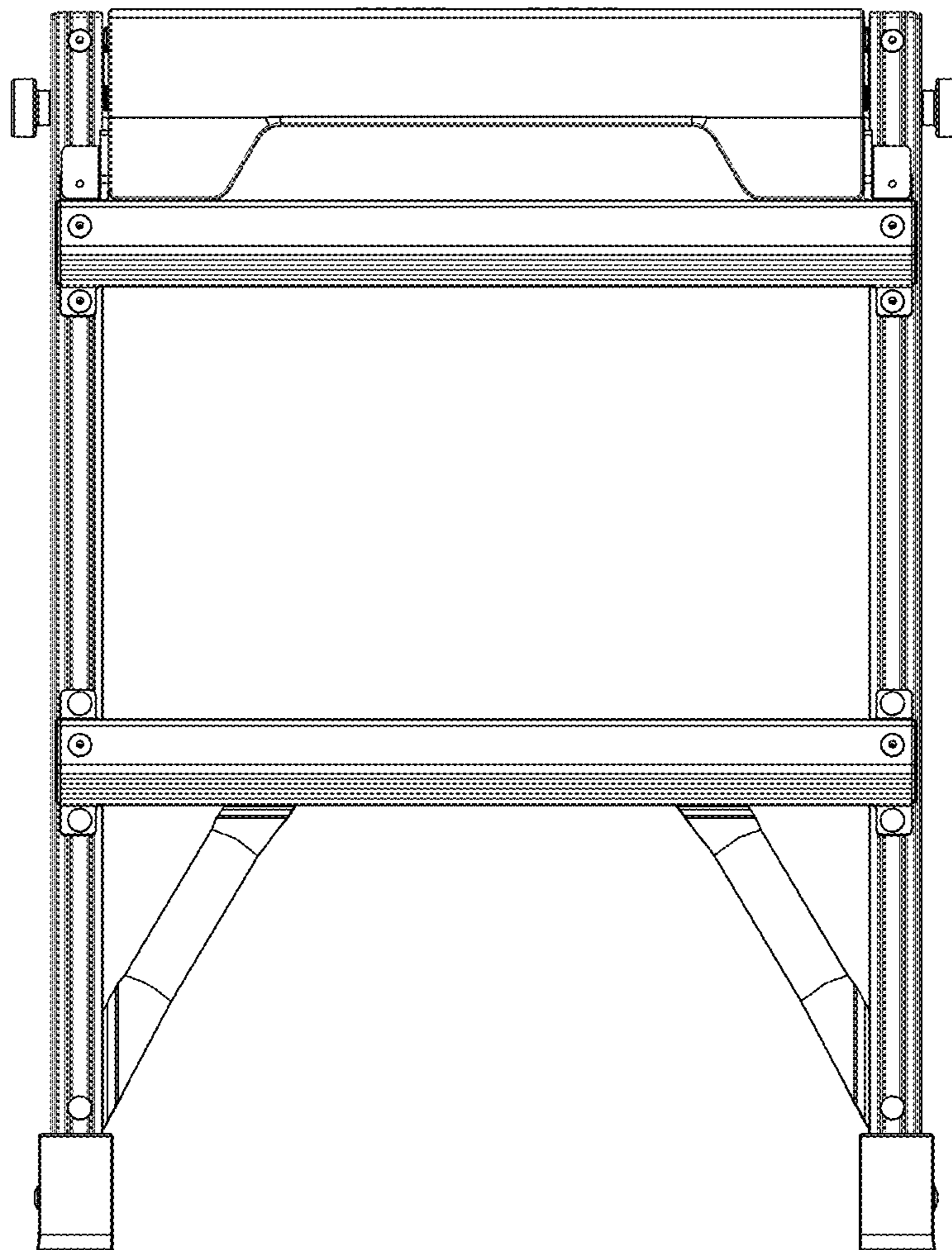


FIG. 4

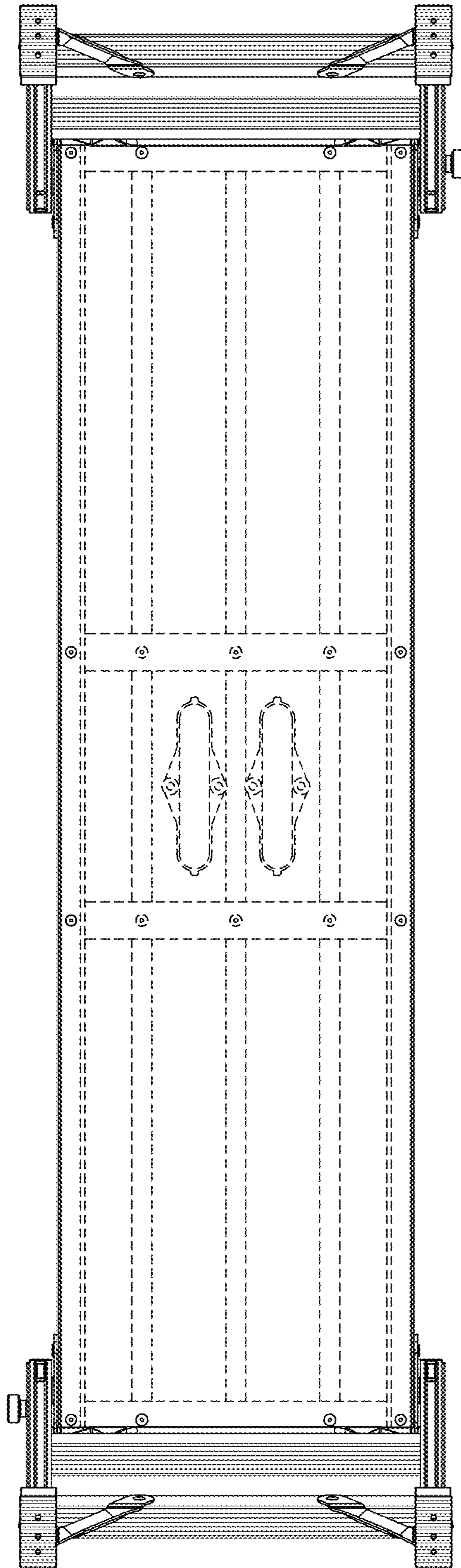


FIG. 5

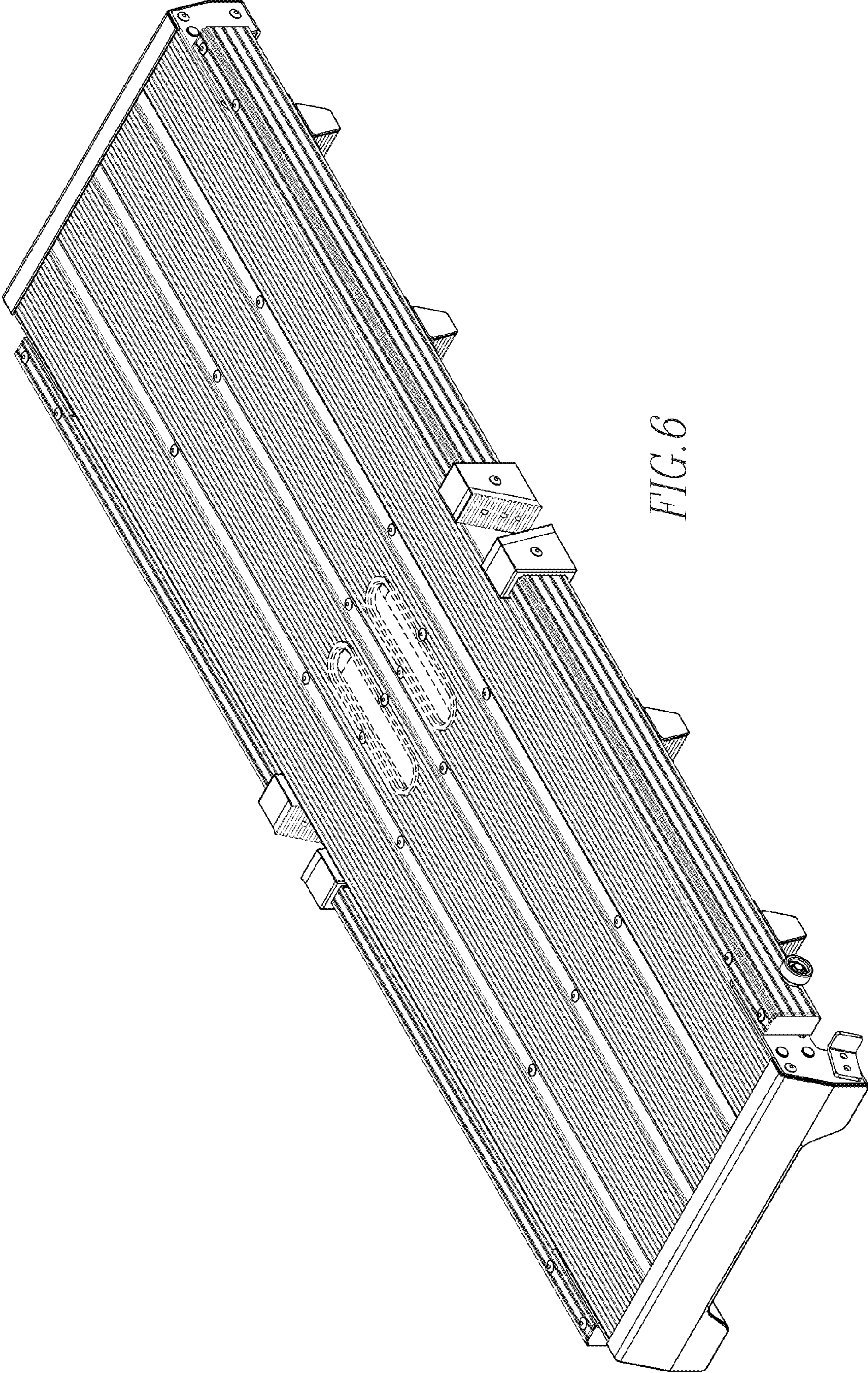


FIG. 6



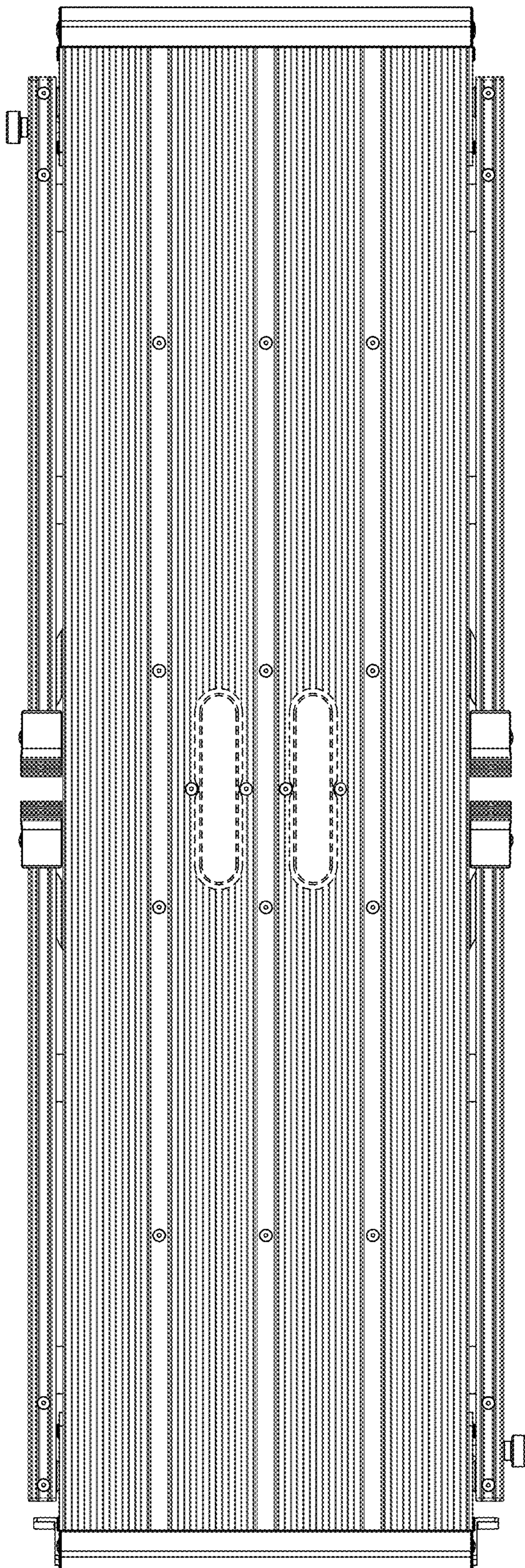


FIG. 7

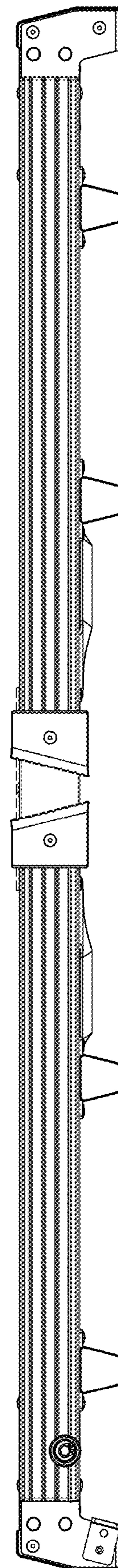


FIG. 8

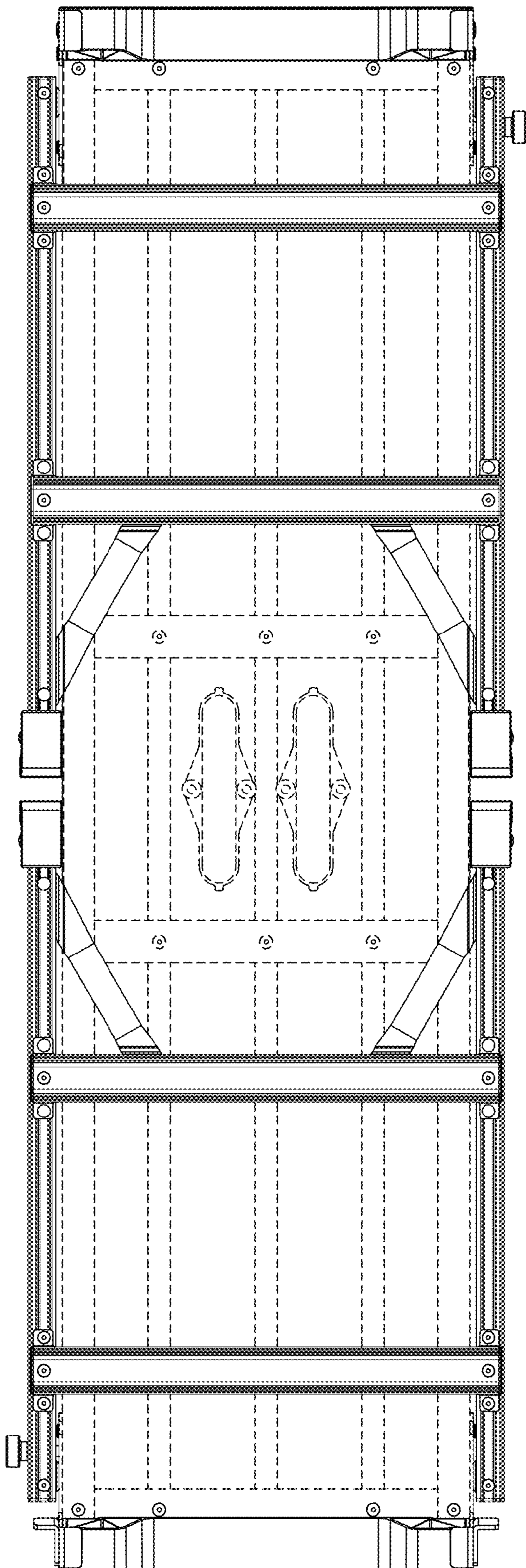


FIG. 9

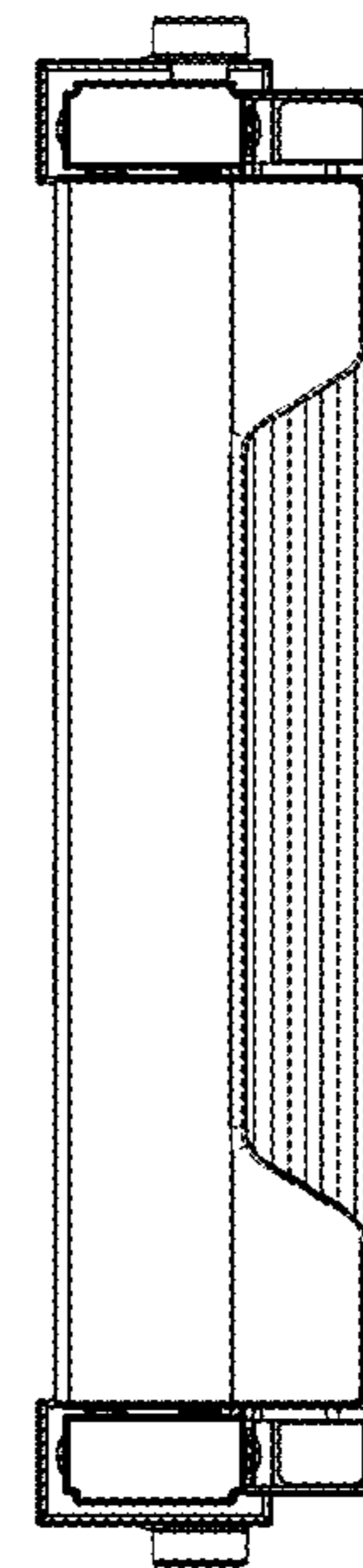


FIG. 10