



US00D895844S

(12) **United States Design Patent** (10) **Patent No.:** **US D895,844 S**
Woodward et al. (45) **Date of Patent:** **** *Sep. 8, 2020**

(54) **WORK PLATFORM**

FOREIGN PATENT DOCUMENTS

(71) Applicants: **Steve Woodward**, Meadville, PA (US);
Thomas Parker, Jamestown, PA (US)

GB 2207453 A 1/1989
JP 2006 022530 A 1/2006

(72) Inventors: **Steve Woodward**, Meadville, PA (US);
Thomas Parker, Jamestown, PA (US)

OTHER PUBLICATIONS

(73) Assignee: **Werner Co.**, Greenville, PA (US)

Werner, "Climbing Equipment," Catalog, p. 42, (Sep. 8, 2015).
Gorilla Ladder Model #GLP-WP, Brochure, May 2016.

(*) Notice: This patent is subject to a terminal disclaimer.

Primary Examiner — Gino Colan
(74) *Attorney, Agent, or Firm* — Ansel M. Schwartz

(**) Term: **15 Years**

(57) **CLAIM**

(21) Appl. No.: **29/597,382**

The ornamental design for a work platform, as shown and described.

(22) Filed: **Mar. 16, 2017**

Related U.S. Application Data

DESCRIPTION

(63) Continuation-in-part of application No. 15/299,099, filed on Oct. 20, 2016, which is a continuation-in-part of application No. 15/077,489, filed on Mar. 22, 2016.

(51) **LOC (12) Cl.** **25-04**

(52) **U.S. Cl.**
USPC **D25/66**

(58) **Field of Classification Search**
USPC D25/62, 66, 68, 65; 182/118, 223, 153,
182/141, 142, 144, 149, 222, 117, 112,
182/181.1; 144/286.1; D6/684;
108/129, 132
CPC .. E04G 1/30; E04G 1/34; E04G 1/152; E04G
1/28; E04G 2001/157; B25H 1/00
See application file for complete search history.

FIG. 1 is a front perspective view of a work platform showing our new design in an open position;
FIG. 2 is a top plan view thereof;
FIG. 3 is a side elevational view thereof, the view from the other side being a mirror image of FIG. 3;
FIG. 4 is an end elevational view thereof, the view from the other side being a mirror image of FIG. 4;
FIG. 5 is a bottom plan view thereof;
FIG. 6 is a perspective view thereof in a closed position;
FIG. 7 is a top plan view thereof in a closed position;
FIG. 8 is a side elevational view thereof in a closed position, the view from the other side being a mirror image of FIG. 8;
FIG. 9 is a bottom plan view thereof in a closed position; and,
FIG. 10 is an end elevational view thereof in a closed position, the view from the other side being a mirror image of FIG. 10.

The broken lines shown in the figures are included for the purpose of illustrating portions of the ladder top and form no part of the claimed design.

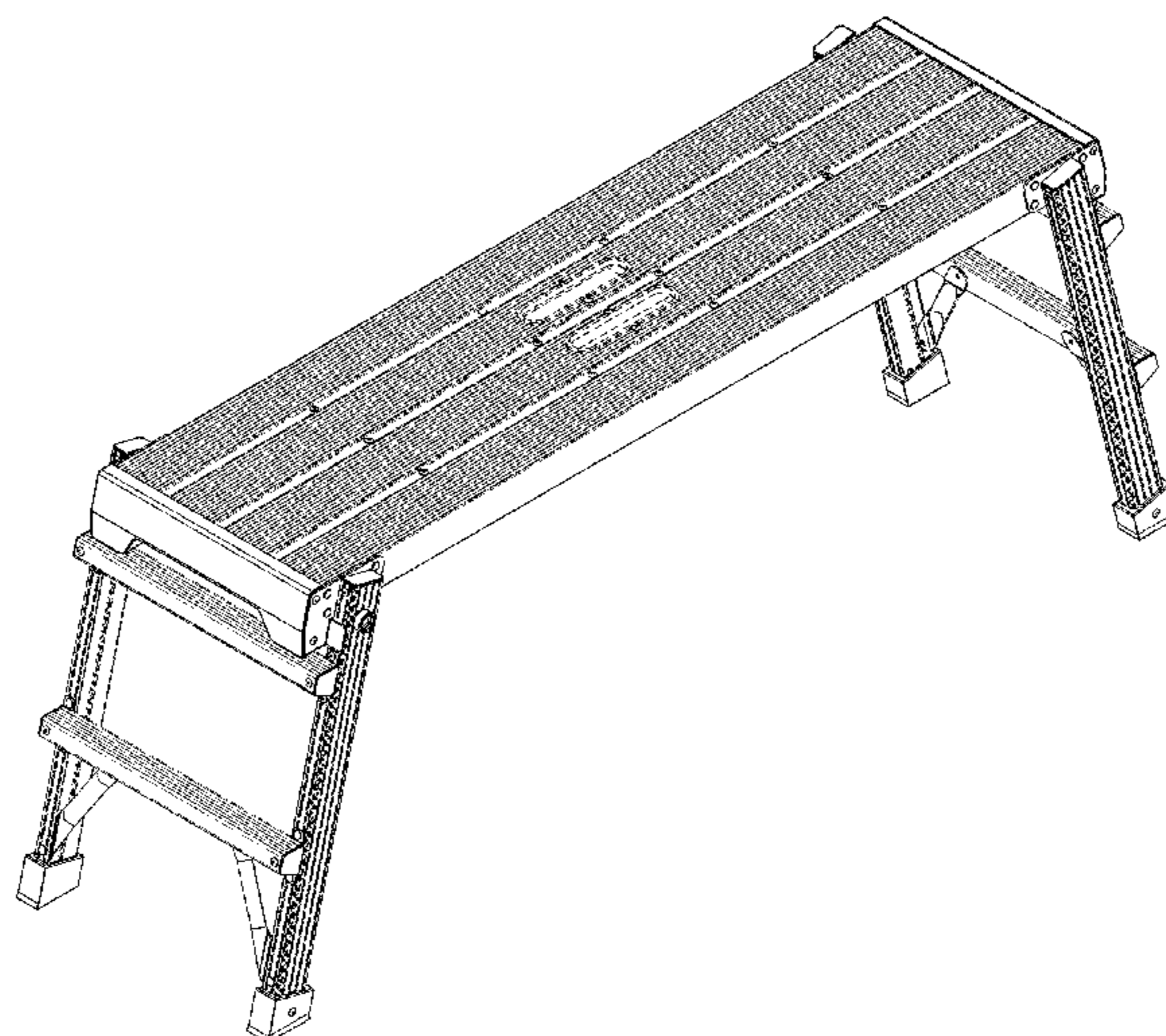
(56) **References Cited**

U.S. PATENT DOCUMENTS

1,133,109 A 3/1915 Derbyshire
2,587,177 A 2/1952 Larson
5,096,019 A 3/1992 Kelsay
5,246,085 A * 9/1993 Liegel E04G 1/34
182/113

(Continued)

1 Claim, 8 Drawing Sheets



(56)

References Cited

U.S. PATENT DOCUMENTS

5,678,653	A	10/1997	Clinch	
5,746,288	A	5/1998	O'Neal	
5,984,047	A *	11/1999	Rogers	A47B 3/0918 108/132
D461,330	S *	8/2002	Wang	D6/349
D486,243	S	2/2004	Yamaoka	
D486,244	S *	2/2004	Yamaoka	D25/62
D490,165	S *	5/2004	Yamaoka	D25/66
D495,426	S *	8/2004	Yamaoka	D25/62
6,892,860	B2	5/2005	Gibson	
D536,799	S *	2/2007	Freitas	D25/66
7,516,704	B2	4/2009	Snider	
8,042,653	B2	10/2011	Grebinoski et al.	
8,113,316	B2	2/2012	Sward et al.	
8,307,769	B1	11/2012	Wescott	
D704,858	S *	5/2014	Green	D25/62
9,512,627	B2	12/2016	Taron	
D776,826	S	1/2017	Foley et al.	
D781,083	S *	3/2017	Zhu	D6/684
9,752,334	B2	9/2017	Foley et al.	
2004/0238280	A1	12/2004	Gibson	
2006/0169539	A1	8/2006	Grebinoski	
2007/0101910	A1	5/2007	Haimoff	
2009/0078165	A1	3/2009	Tseng	
2010/0071996	A1	3/2010	Huang	
2017/0044780	A1	2/2017	Foley et al.	

* cited by examiner

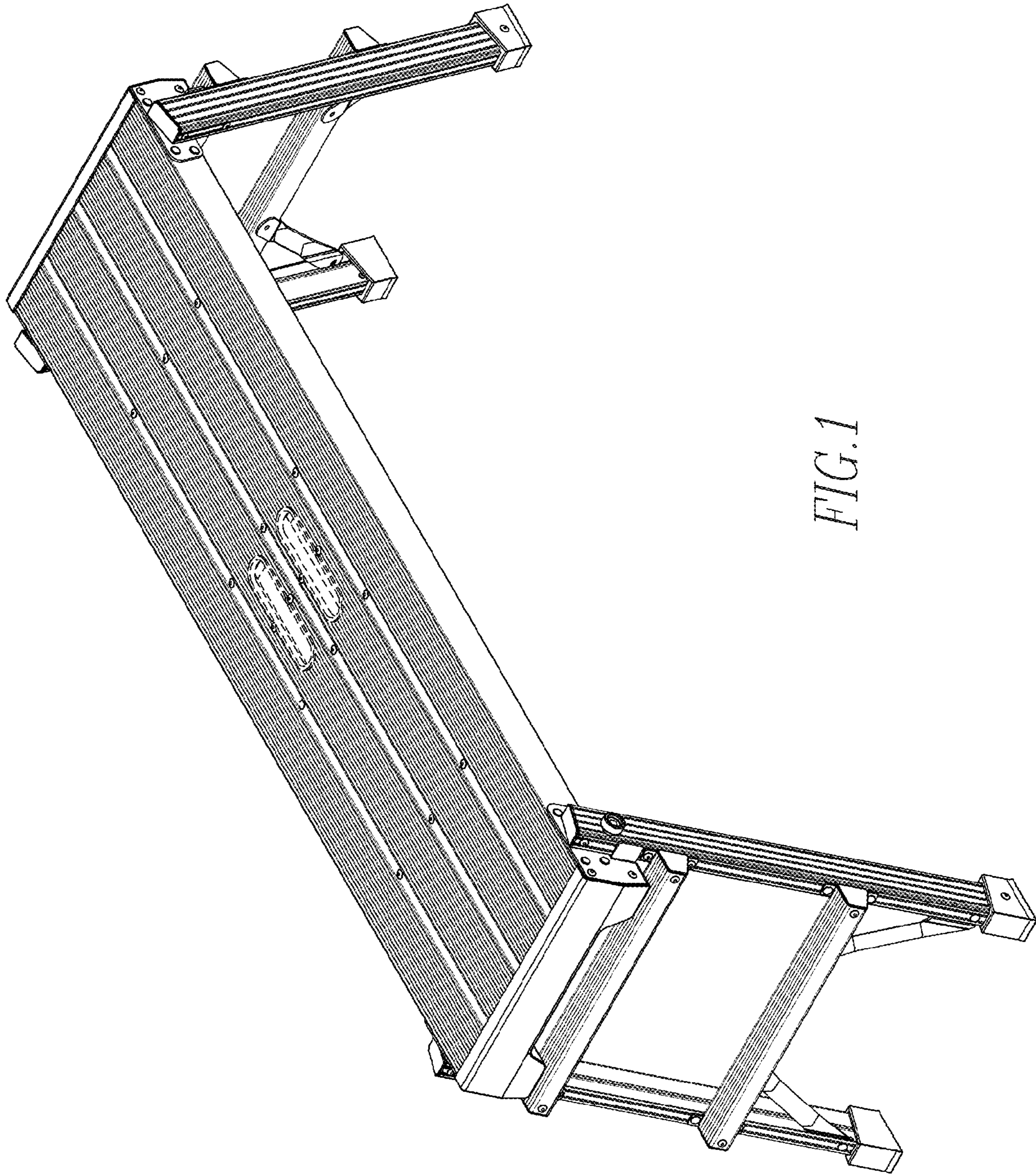


FIG. 1

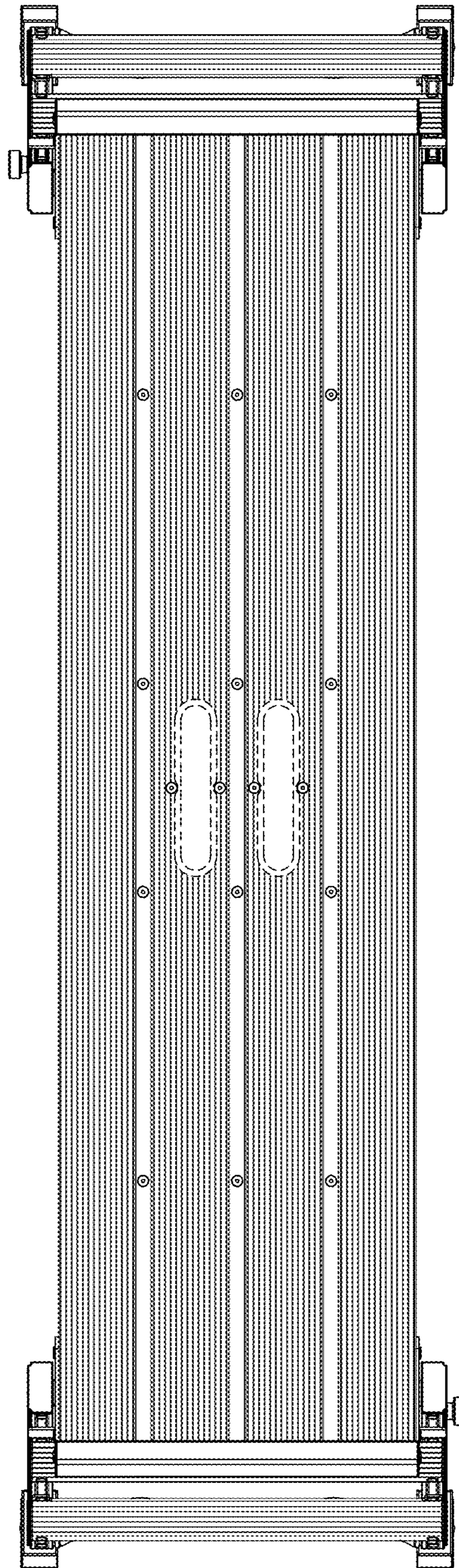


FIG. 2

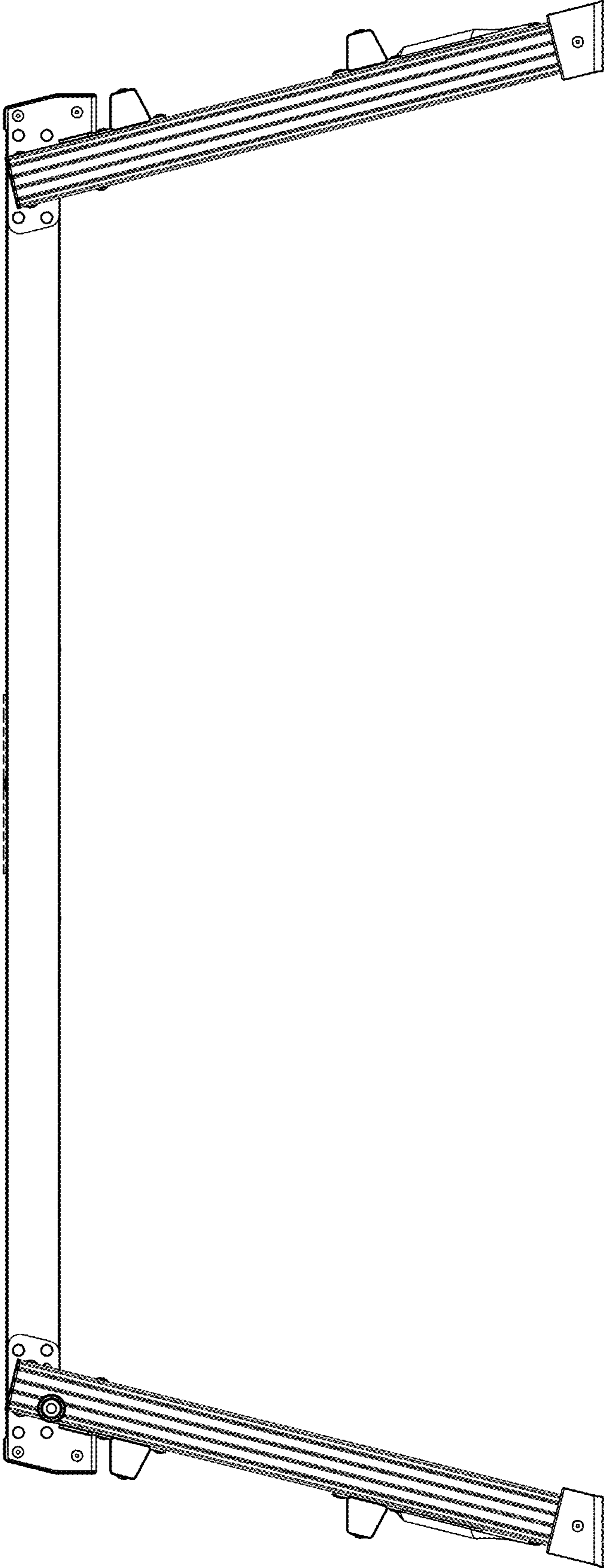


FIG. 3

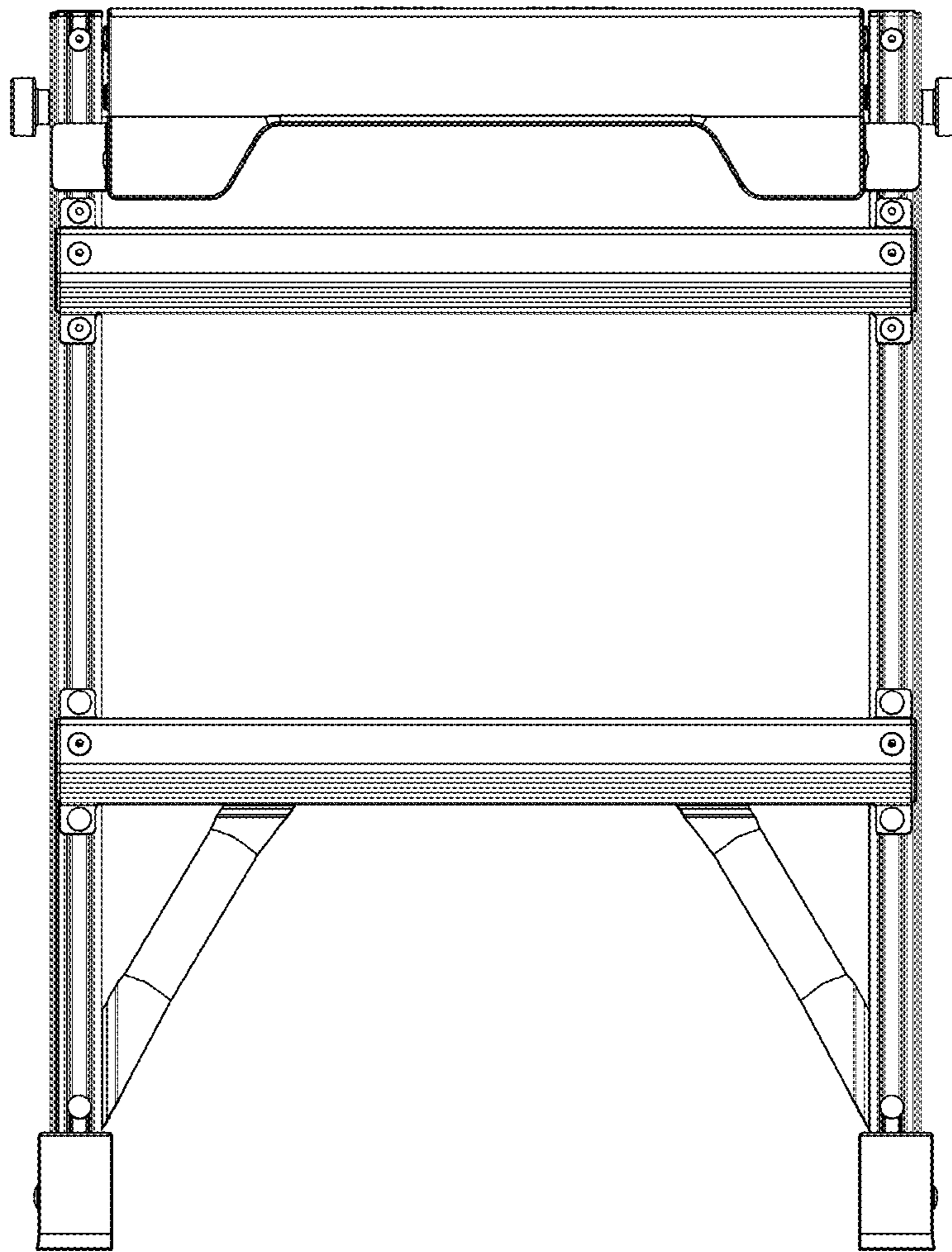


FIG. 4

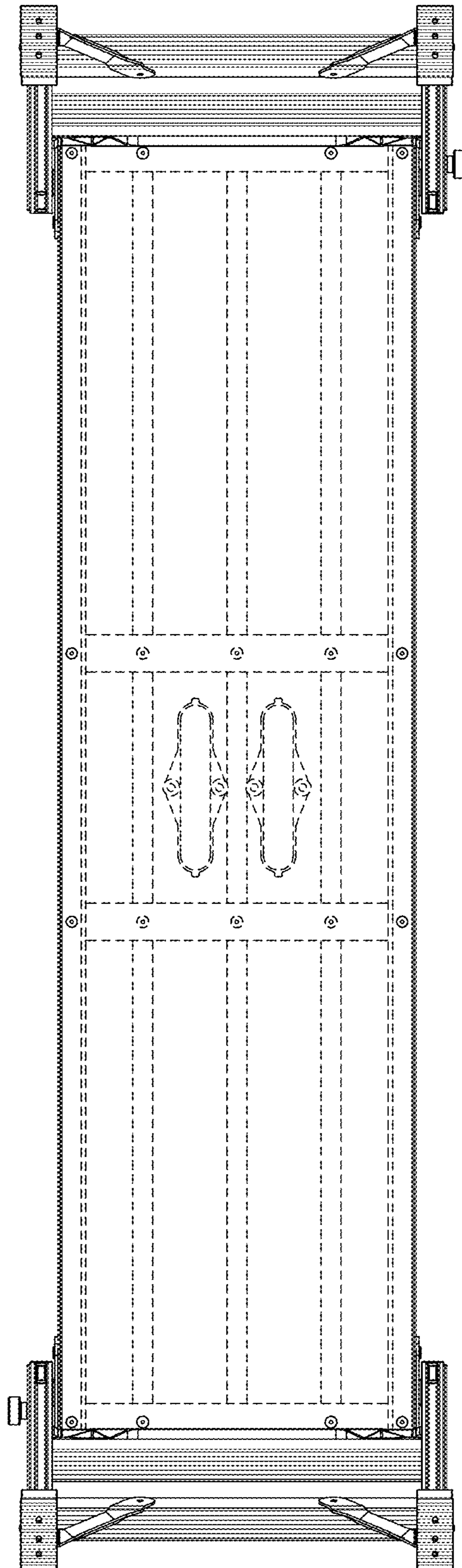


FIG. 5

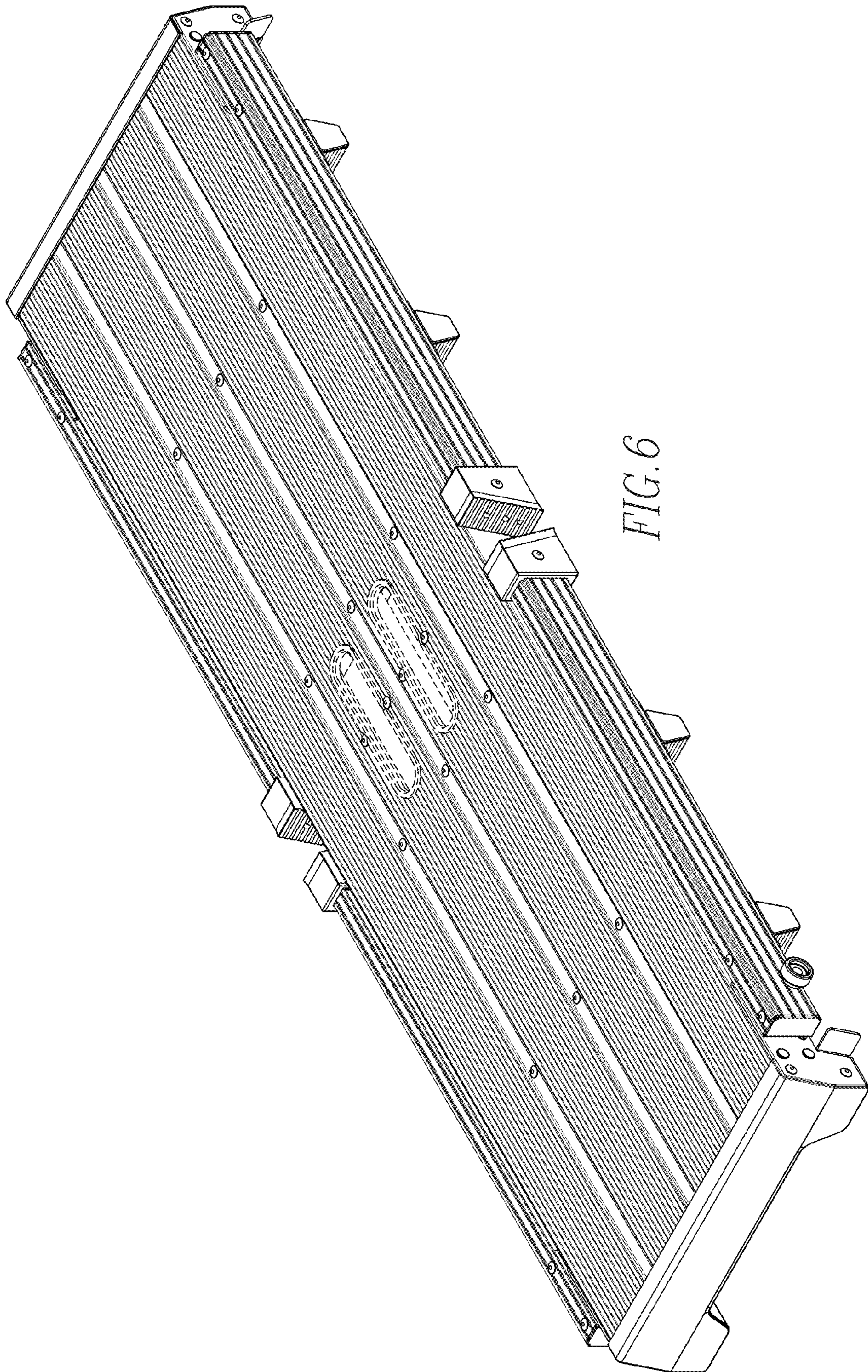


FIG. 6

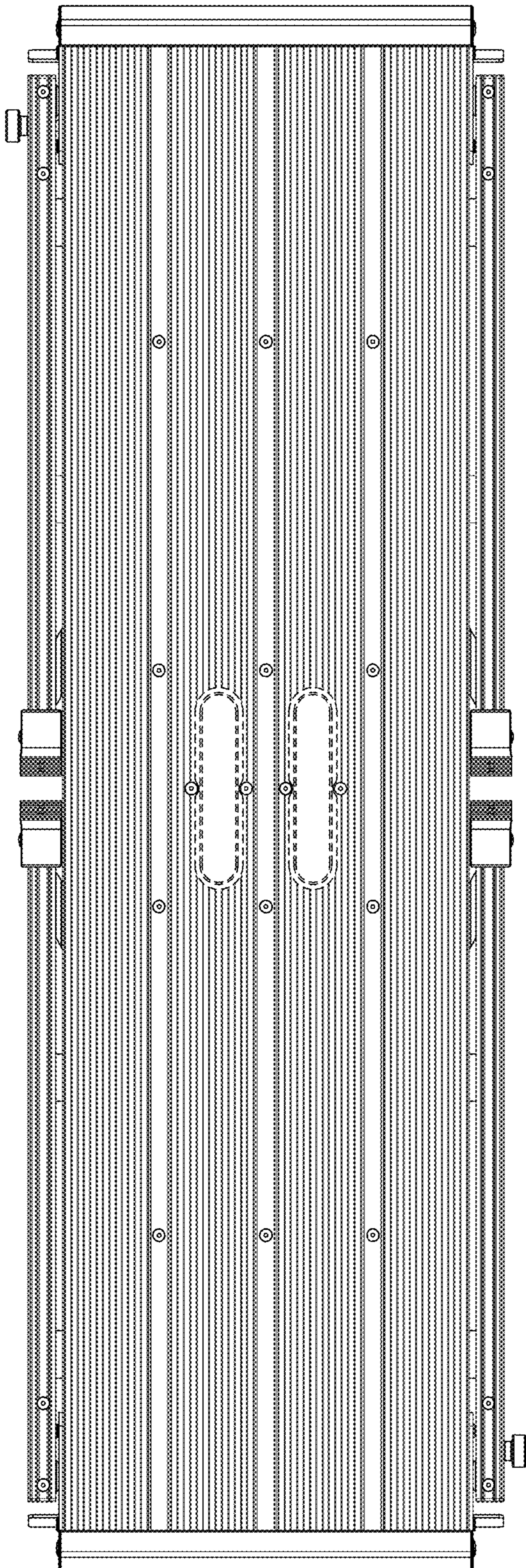


FIG. 7

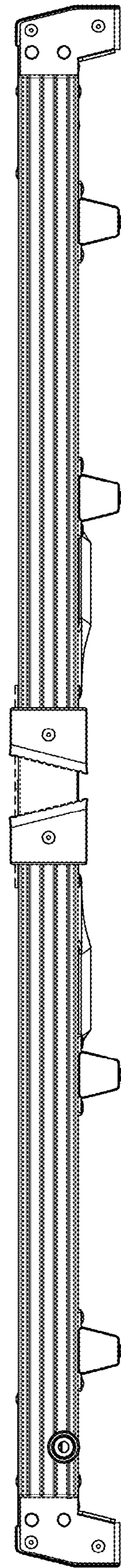


FIG. 8

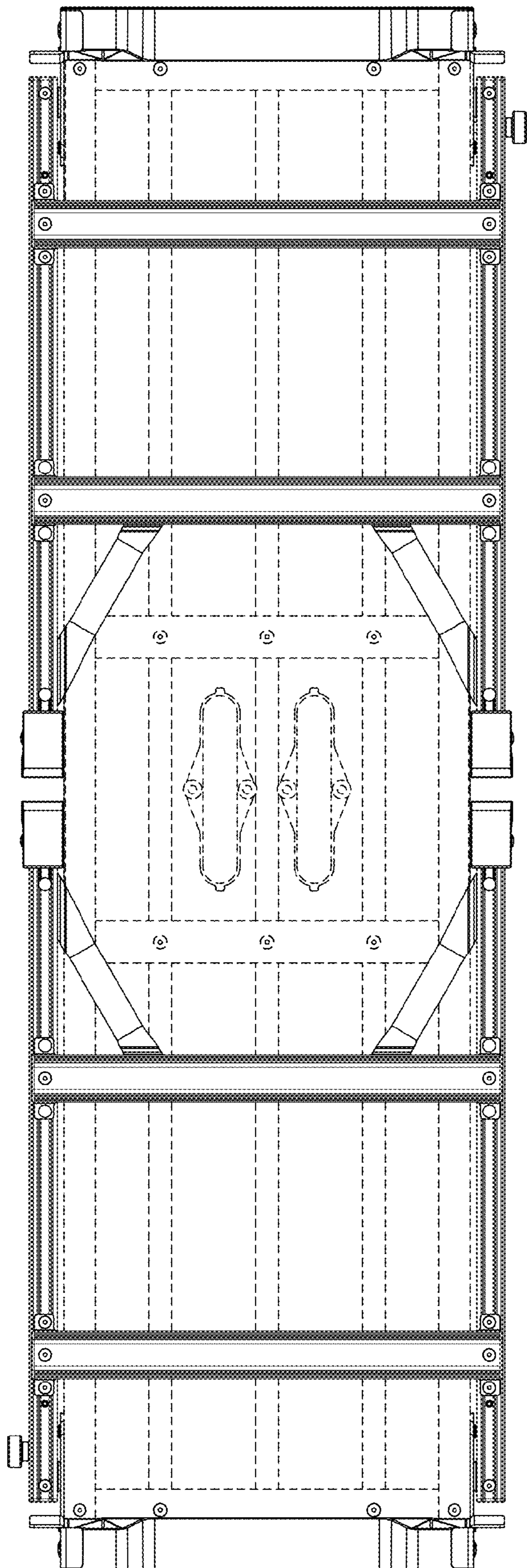


FIG. 9

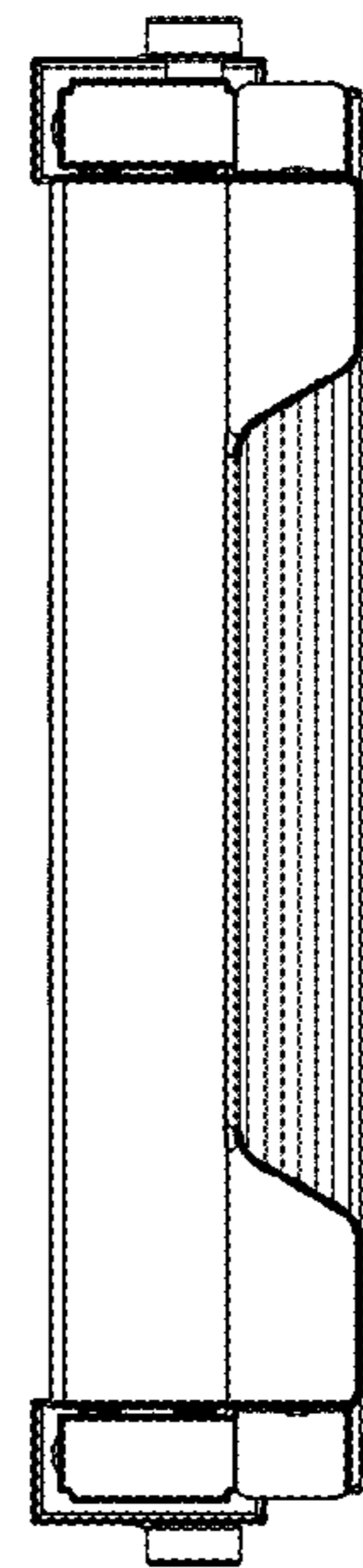


FIG. 10