



US00D895841S

(12) **United States Design Patent**
Mathers et al.

(10) **Patent No.:** **US D895,841 S**

(45) **Date of Patent:** **** Sep. 8, 2020**

(54) **ELECTROPHORESIS AND IMAGING SYSTEM**

CPC G01N 2035/00306; G01N 2035/00326;
G01N 2035/00336; G01N 2035/00366;
G01N 21/6428; G01N 21/645; G01N
2201/068; C12Q 1/686; B01L 7/52
See application file for complete search history.

(71) Applicants: **LIFE TECHNOLOGIES CORPORATION**, Carlsbad, CA (US);
LIFE TECHNOLOGIES HOLDINGS PTE LIMITED, Singapore (SG)

(56) **References Cited**

U.S. PATENT DOCUMENTS

(72) Inventors: **Xin Mathers**, Poway, CA (US); **Sandro Klein**, Irvine, CA (US); **Zeqi Tan**, Singapore (SG); **Wuh Ken Loh**, Singapore (SG); **JingMing Peng**, Singapore (SG); **Soo Fan Phua**, Singapore (SG); **Oliver Davidson**, Burlingame, CA (US)

D556,914 S	12/2007	Okamoto et al.	
D688,804 S	8/2013	Kim et al.	
D689,193 S *	9/2013	Shinohara	D24/216
D693,469 S	11/2013	Chung et al.	
D717,968 S	11/2014	Klein et al.	
D730,216 S	5/2015	McLaughlin et al.	
D731,673 S	6/2015	Klein et al.	
D733,917 S *	7/2015	Klein	D24/232
D757,295 S	5/2016	Benarieh et al.	
D774,206 S	12/2016	Boo et al.	
D775,365 S	12/2016	Mathers et al.	
D783,178 S	4/2017	Mead et al.	

(Continued)

Primary Examiner — Anhdao Doan

(73) Assignees: **LIFE TECHNOLOGIES CORPORATION**, Carlsbad, CA (US);
LIFE TECHNOLOGIES HOLDINGS PTE LIMITED, Singapore (SG)

(57) **CLAIM**

(**) Term: **15 Years**

The ornamental design for an electrophoresis and imaging system, as shown and described.

(21) Appl. No.: **29/705,626**

DESCRIPTION

(22) Filed: **Sep. 13, 2019**

Related U.S. Application Data

FIG. 1 is a front perspective view of an electrophoresis and imaging system of our new design;
FIG. 2 is a front view thereof;
FIG. 3 is a rear view thereof;
FIG. 4 is a left side view thereof;
FIG. 5 is a right side view thereof;
FIG. 6 is a top view thereof; and,
FIG. 7 is a bottom view thereof.

(62) Division of application No. 29/648,055, filed on May 17, 2018, now Pat. No. Des. 865,219, which is a division of application No. 29/606,327, filed on Jun. 2, 2017, now Pat. No. Des. 827,859.

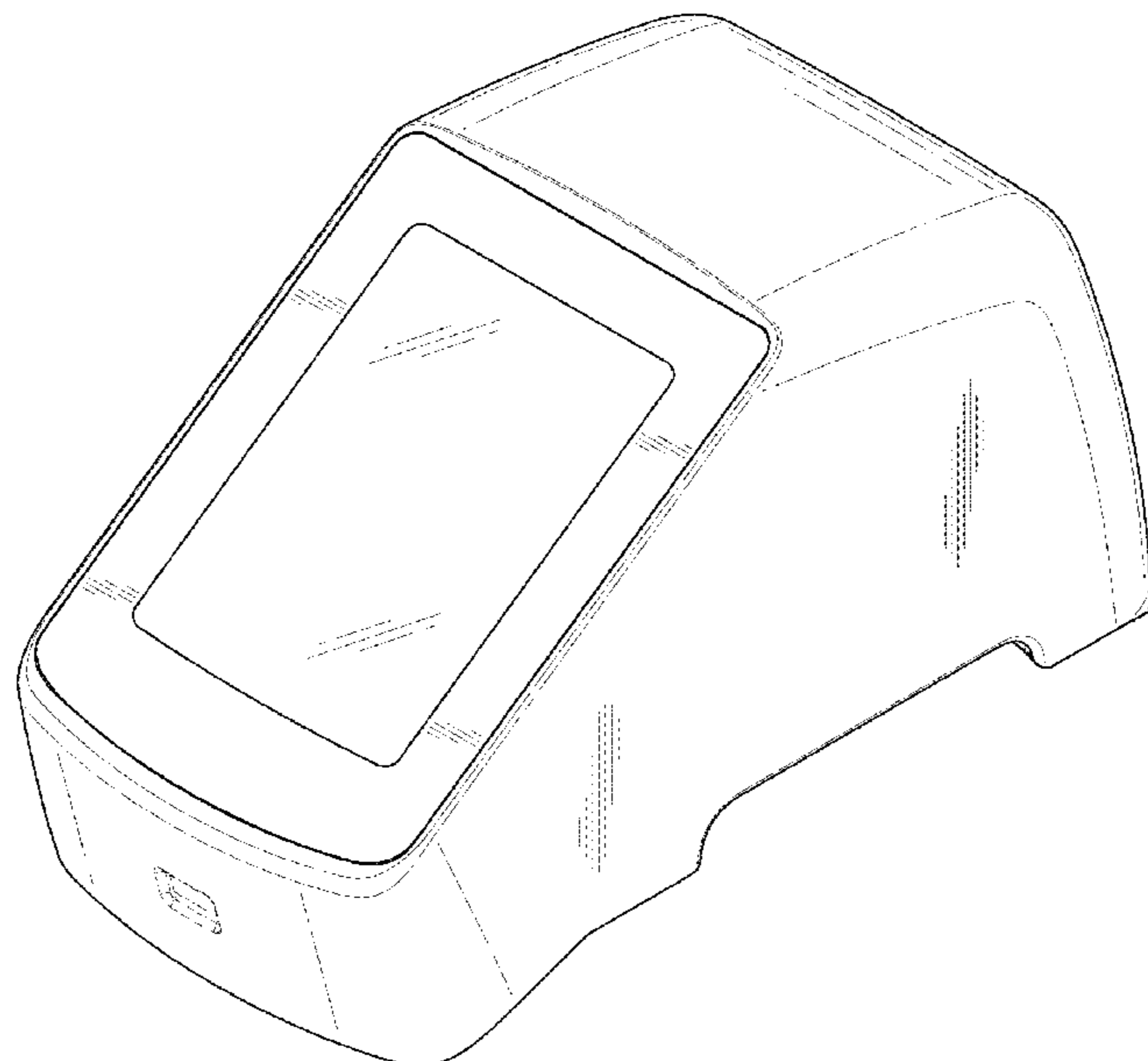
(51) **LOC (12) Cl.** **24-01**

(52) **U.S. Cl.**
USPC **D24/232**

The broken lines are for the purpose of illustrating portions of the electrophoresis and imaging system that form no part of the claimed design; the broken lines and the unshaded surfaces form no part of the claimed design.

(58) **Field of Classification Search**
USPC D24/107, 186, 216, 219, 220, 221,
D24/223–227, 231, 232; D10/81

1 Claim, 7 Drawing Sheets



(56)

References Cited

U.S. PATENT DOCUMENTS

D825,078	S	8/2018	Osmus et al.	
D827,859	S *	9/2018	Mathers	D24/232
10,239,059	B2 *	3/2019	Toh	B01L 7/52
D851,773	S *	6/2019	Nishikawa	D24/186
D853,873	S *	7/2019	Schueren	D10/81
D857,903	S *	8/2019	Esfandiari	D24/186
D865,218	S *	10/2019	Mathers	D24/232
D877,925	S *	3/2020	Tanaka	D24/216
2015/0253345	A1	9/2015	Lee et al.	
2016/0228876	A1	8/2016	Chu et al.	
2017/0072398	A1	3/2017	Boo et al.	

* cited by examiner

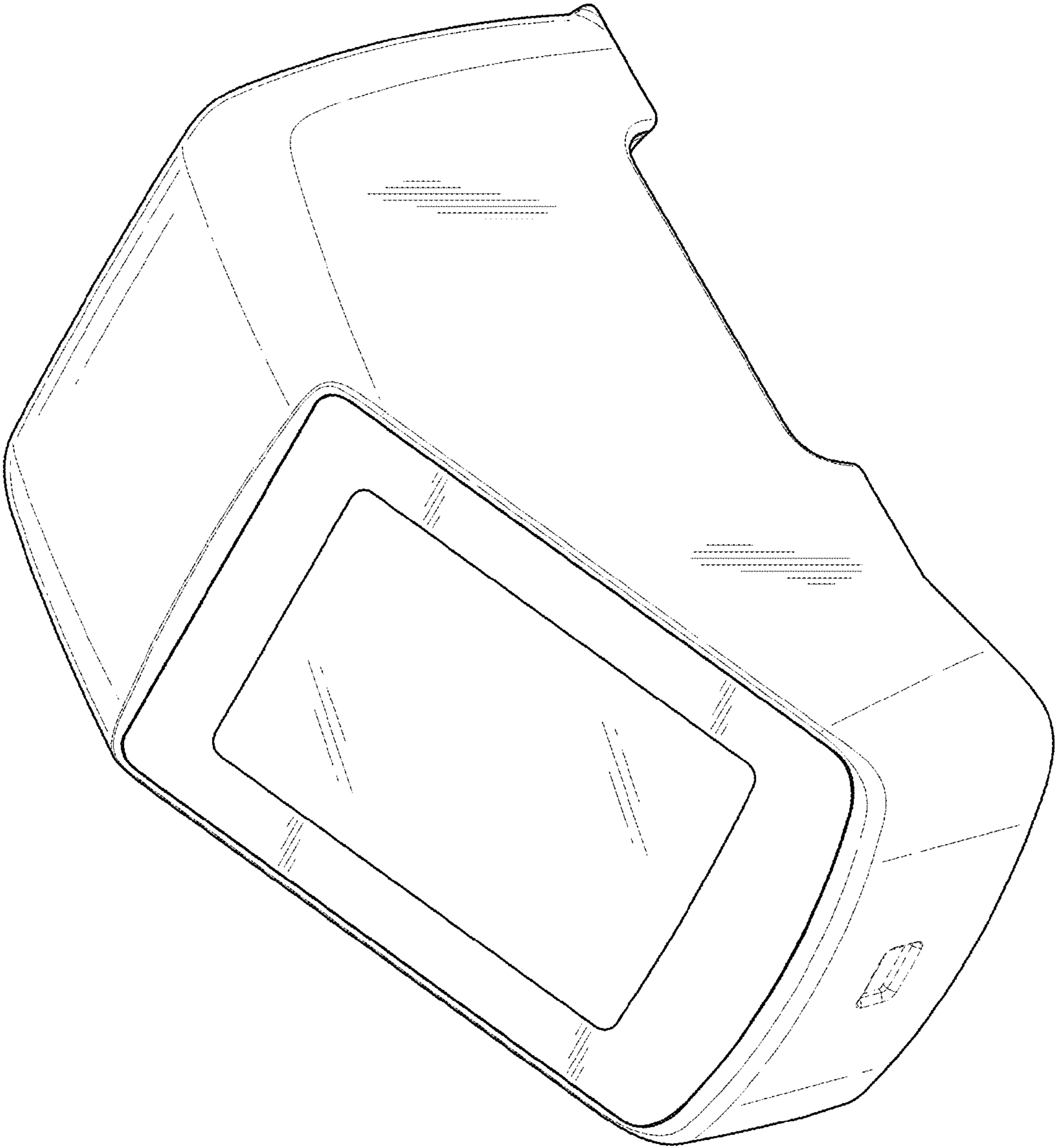


FIG. 1

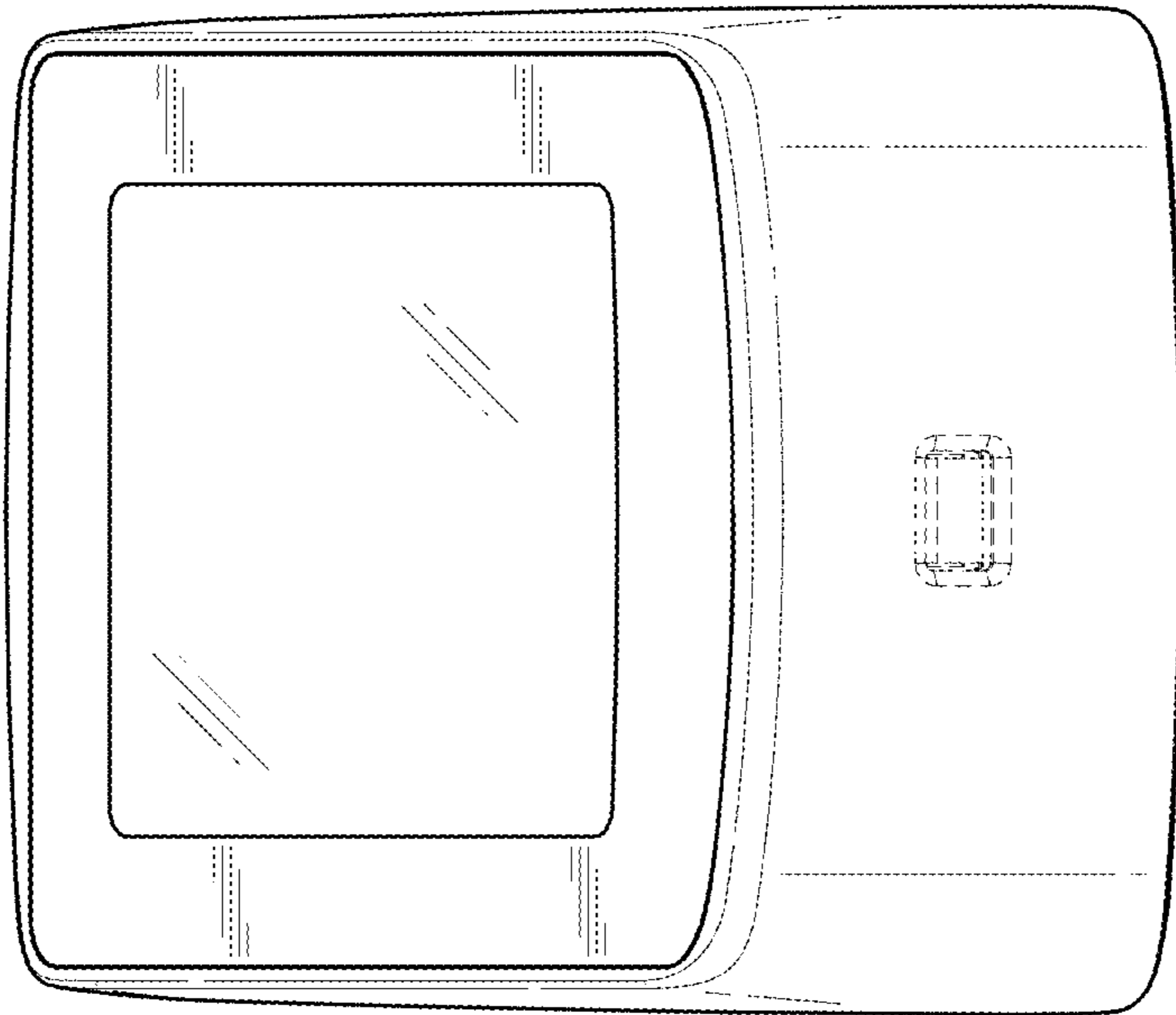


FIG. 2

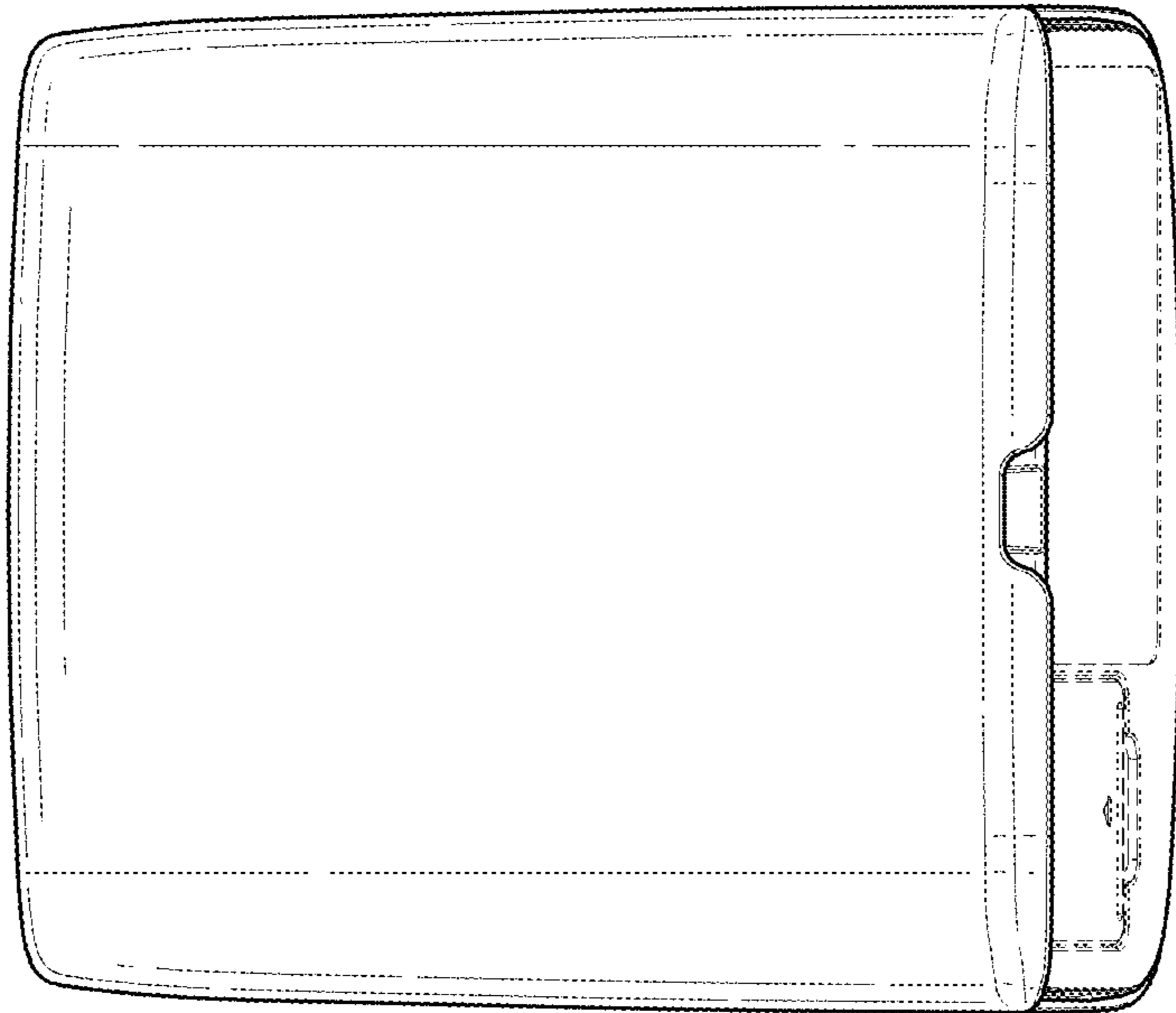


FIG. 3

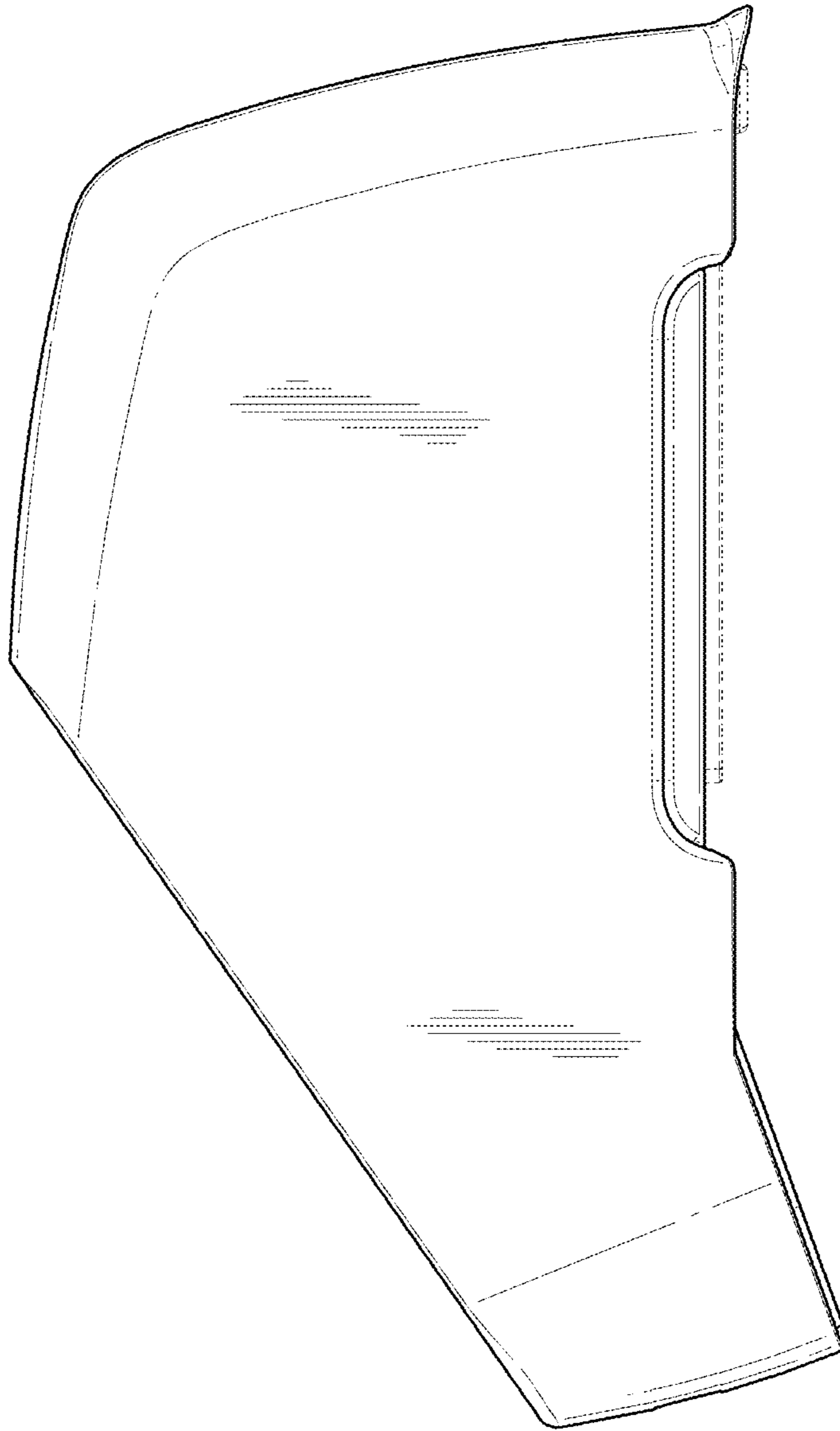


FIG. 4

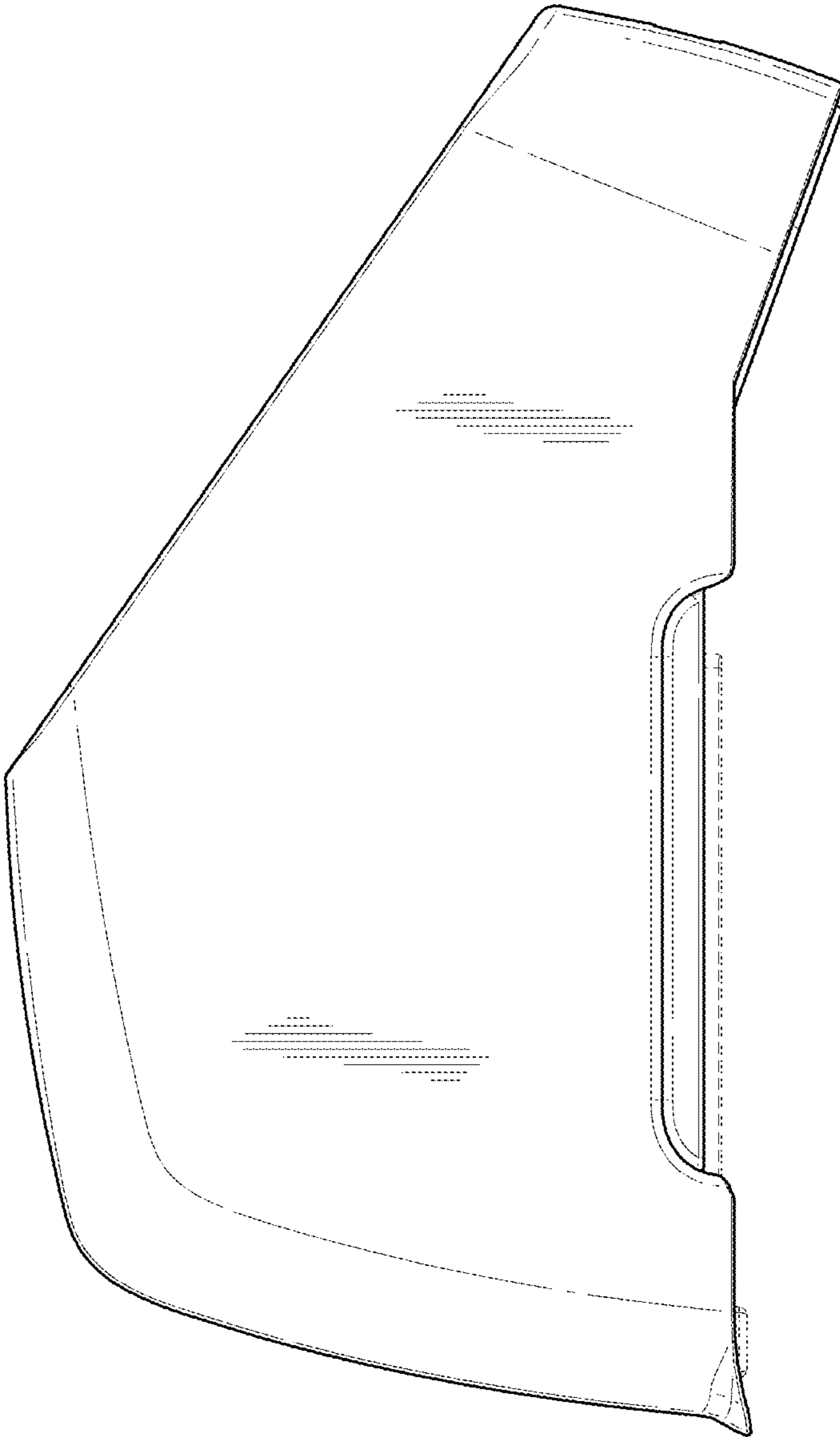


FIG. 5

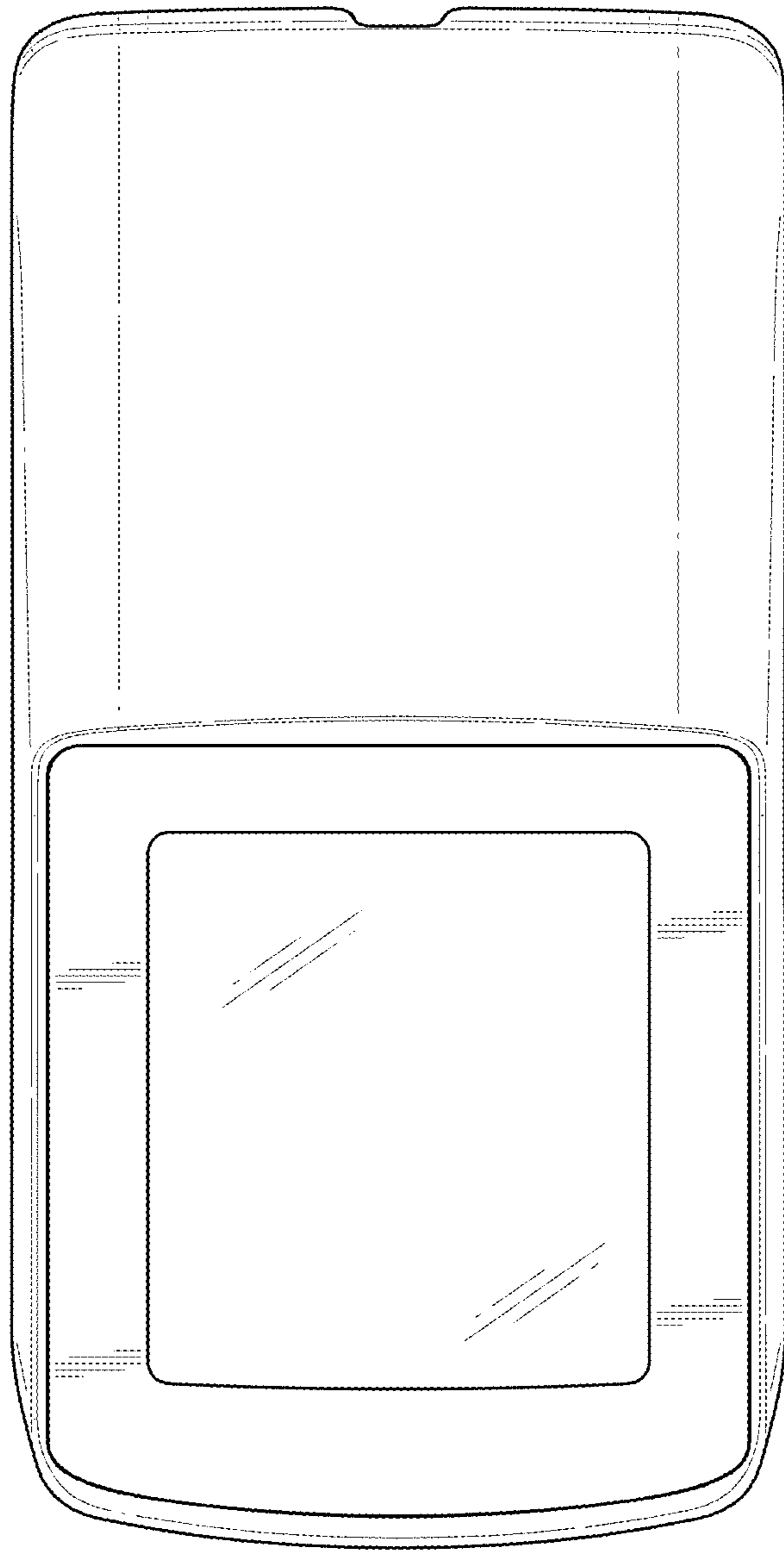


FIG. 6

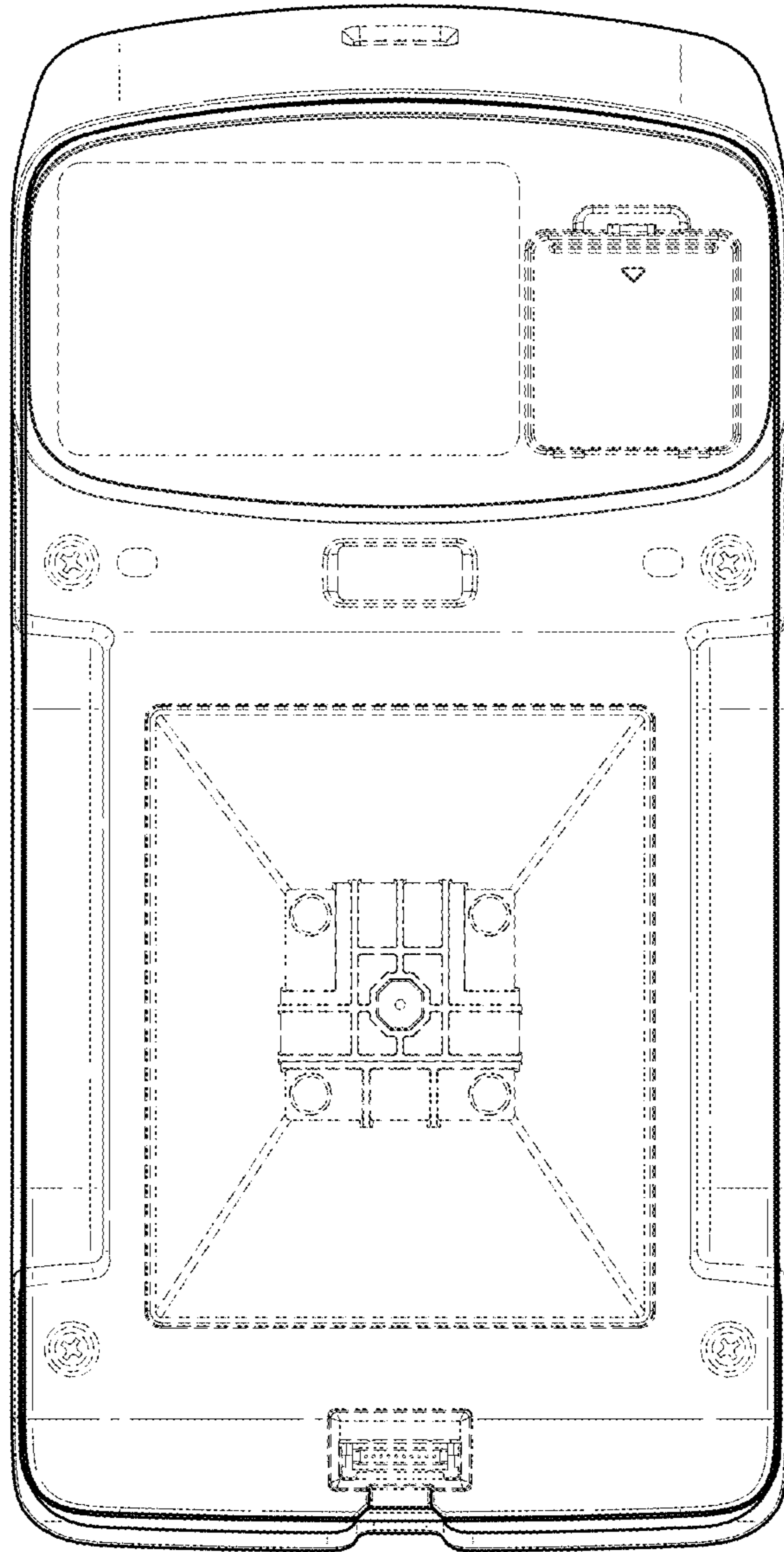


FIG. 7