

US00D895839S

(12) **United States Design Patent** (10) **Patent No.:** **US D895,839 S**
Chase et al. (45) **Date of Patent:** **** *Sep. 8, 2020**

(54) **NEEDLE COUNTER**
(71) Applicant: **NewGen Surgical, Inc.**, San Rafael, CA (US)
(72) Inventors: **Robert N. Chase**, San Rafael, CA (US); **Kenneth M. Blier**, Cheshire, CT (US)
(73) Assignee: **NEWGEN SURGICAL, INC.**, San Rafael, CA (US)

D574,505 S * 8/2008 Muller-Cohn D24/216
D613,744 S * 4/2010 Sheba D14/435
D629,608 S * 12/2010 Hong D3/294
D721,821 S * 1/2015 Swoish D24/231
D742,220 S * 11/2015 Eyerman D9/426
D804,053 S * 11/2017 Chase D24/231
D815,436 S * 4/2018 Stanley D3/294
2005/0269228 A1 * 12/2005 Kanner A61B 17/06133
206/380
2007/0205115 A1 * 9/2007 Lee A45C 11/00
206/37

(*) Notice: This patent is subject to a terminal disclaimer.

(**) Term: **15 Years**

(21) Appl. No.: **29/611,785**

(22) Filed: **Jul. 25, 2017**

(51) **LOC (12) Cl.** **24-99**

(52) **U.S. Cl.**
USPC **D24/231**

(58) **Field of Classification Search**
USPC D24/216, 217, 219, 220, 223, 224, 225, D24/226, 227, 232, 233; D9/424, 425, D9/432, 732, 735, 749, 755, 758, 760; D7/550.1, 553.1-553.5, 554.3, 554.4; D18/43, 44; D3/294-295
CPC A47G 23/06; A61B 50/20; A61B 50/30; A61J 1/00; B01L 3/50; B01L 3/52; B01L 7/00; B01L 7/02; C07K 1/26; C12Q 1/00
See application file for complete search history.

(56) **References Cited**

U.S. PATENT DOCUMENTS

D273,615 S * 4/1984 Maskrey D24/131
5,555,671 A * 9/1996 Voight A01K 97/06
206/315.11
D376,647 S * 12/1996 Marsh D24/131
D397,870 S * 9/1998 De Winter D28/83
7,070,051 B2 * 7/2006 Kanner A61B 17/06133
206/382
D539,539 S * 4/2007 Braden D14/203.7

OTHER PUBLICATIONS

Needle Counters. [online] Retrieved Oct. 11, 2018 from URL: <<http://newgensurgical.com/needle-counter/>>.*
Sterile Needle Counters. [online] Retrieved Oct. 11, 2018 from URL: <<https://www.medical-action.com/catalog/sterile-needle-counters/>>.*

* cited by examiner

Primary Examiner — Vy N Koenig
(74) *Attorney, Agent, or Firm* — Steven A. Nielsen;
www.NielsenPatents.com

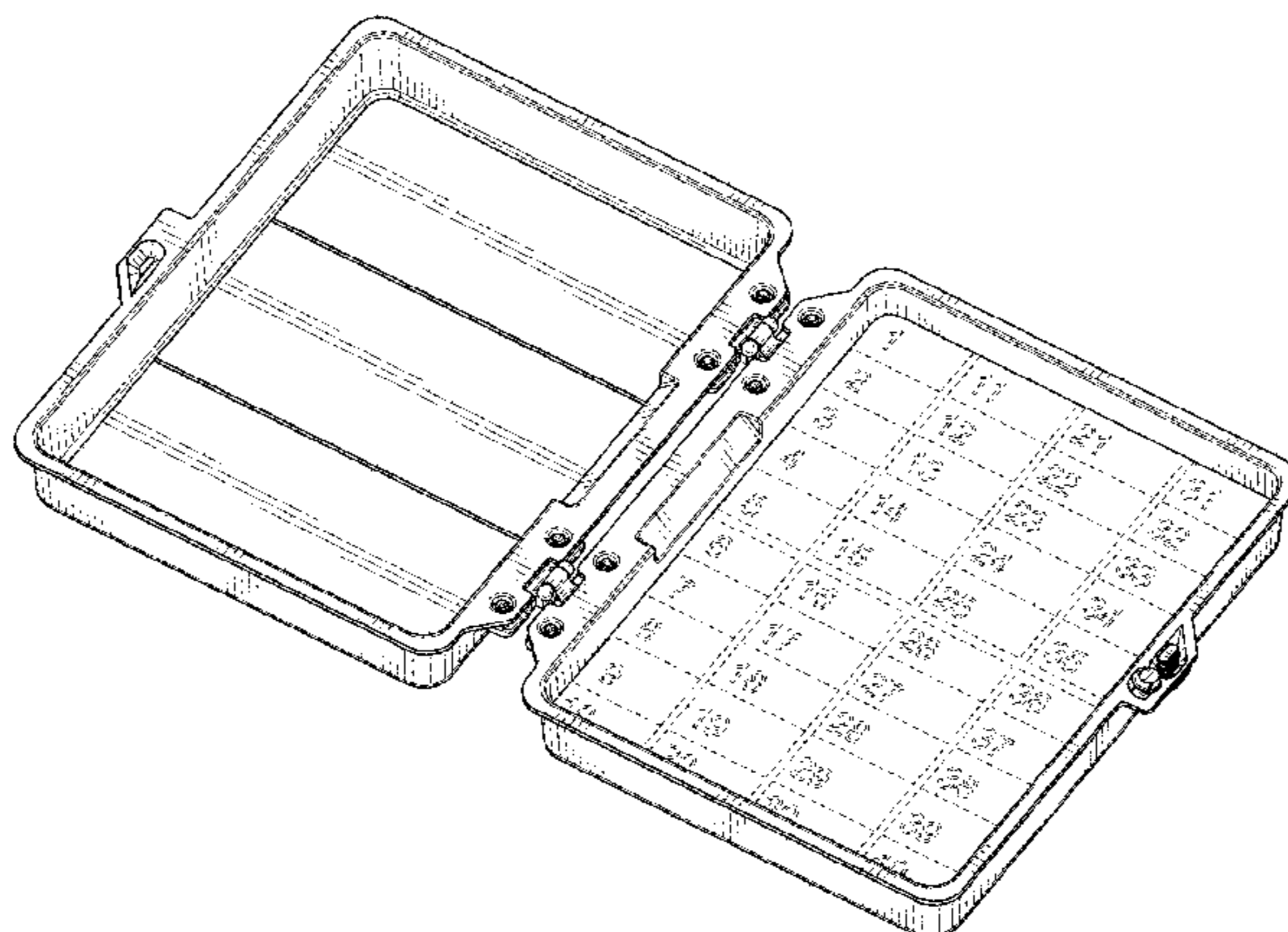
(57) **CLAIM**

The ornamental design for a needle counter, as shown and described.

DESCRIPTION

FIG. 1 is a top and side perspective view of a needle counter showing a new design;
FIG. 2 is a top view thereof;
FIG. 3 is a bottom view thereof;
FIG. 4 is a left side view thereof;
FIG. 5 is a right side view thereof;
FIG. 6 is a front view thereof; and,
FIG. 7 is a back view thereof.
The dashed lines of FIGS. 1, 2 and 3 show environmental conditions only and form no part of the claimed design.

1 Claim, 5 Drawing Sheets



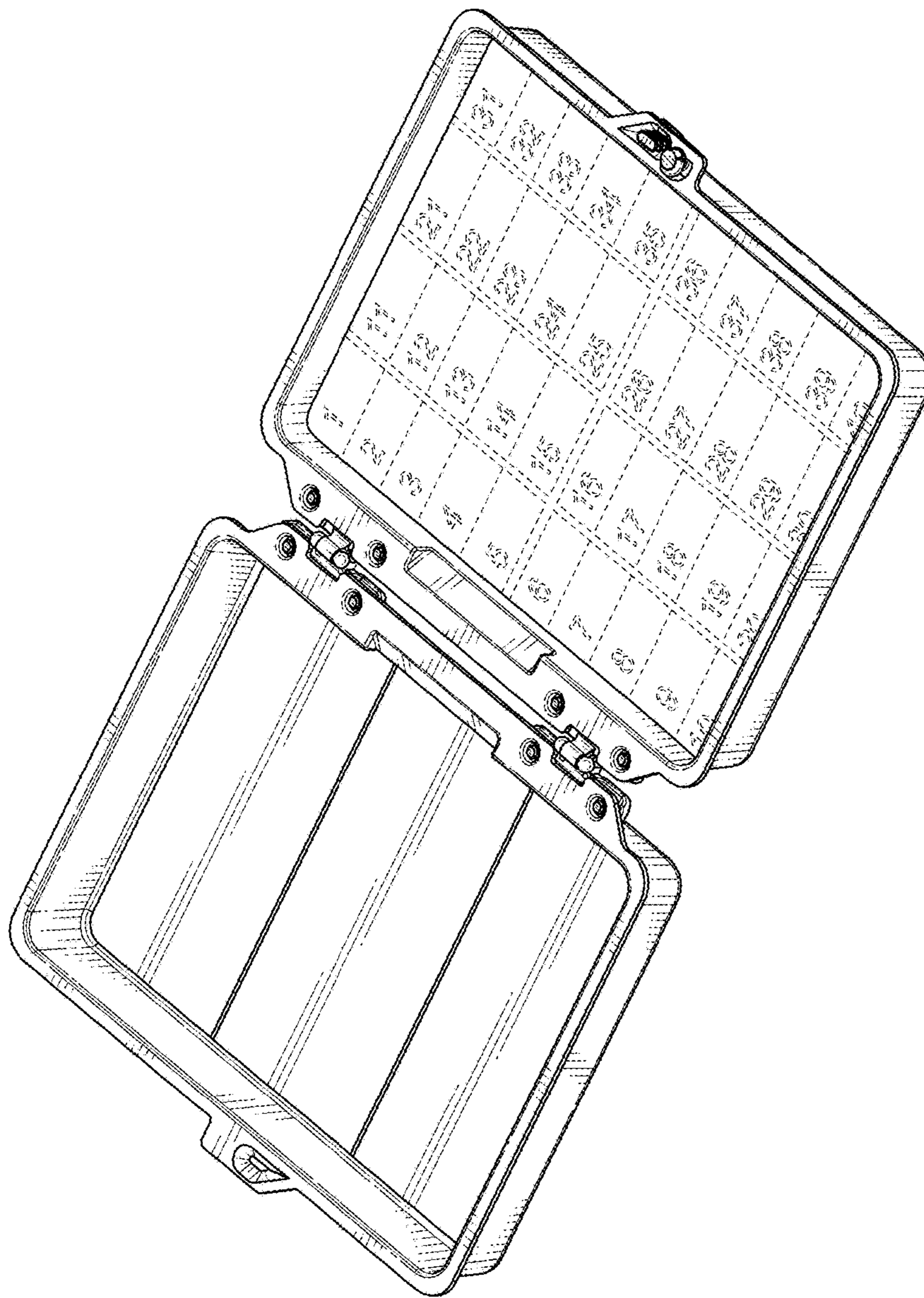


FIG. 1

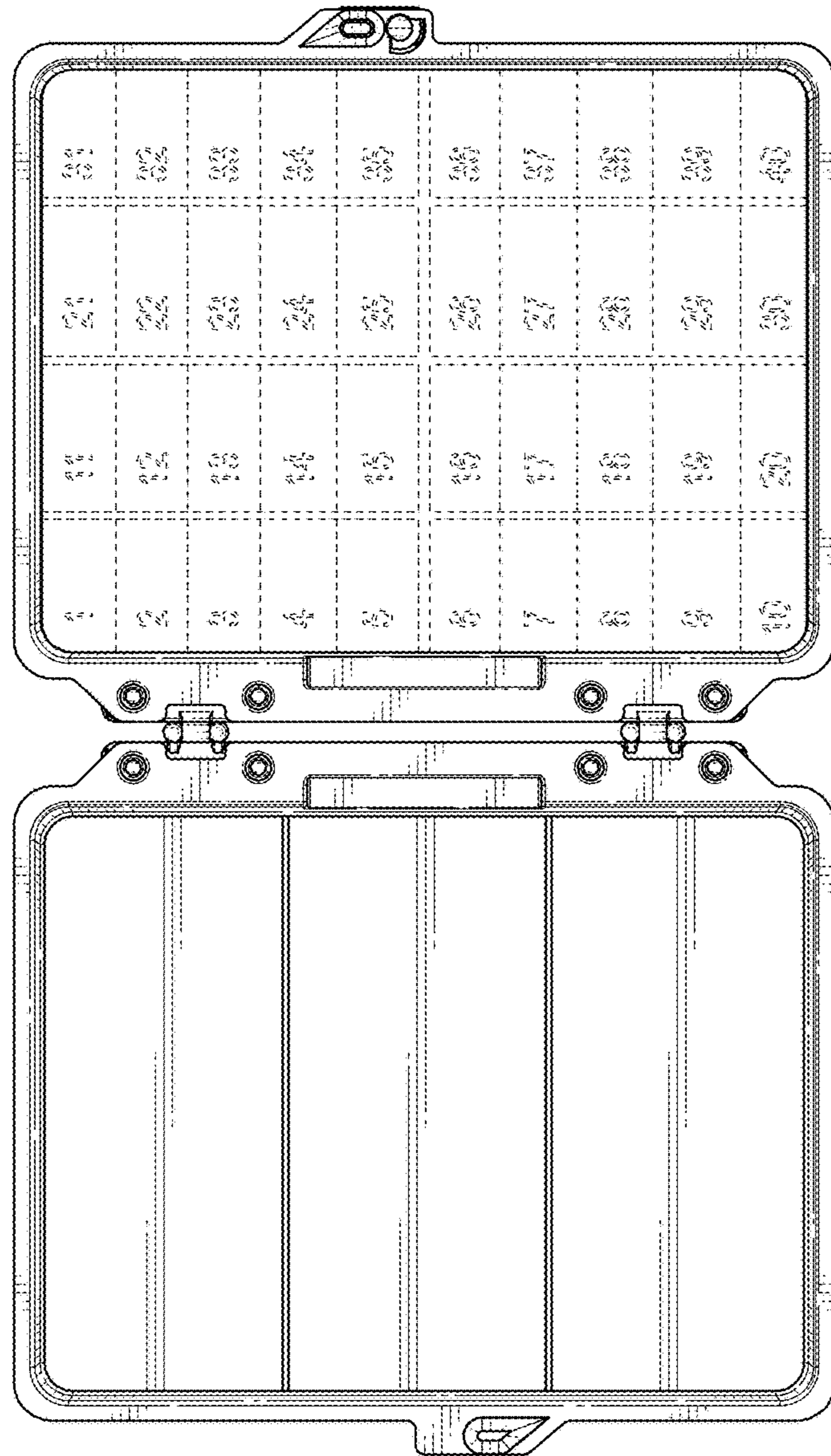


FIG. 2

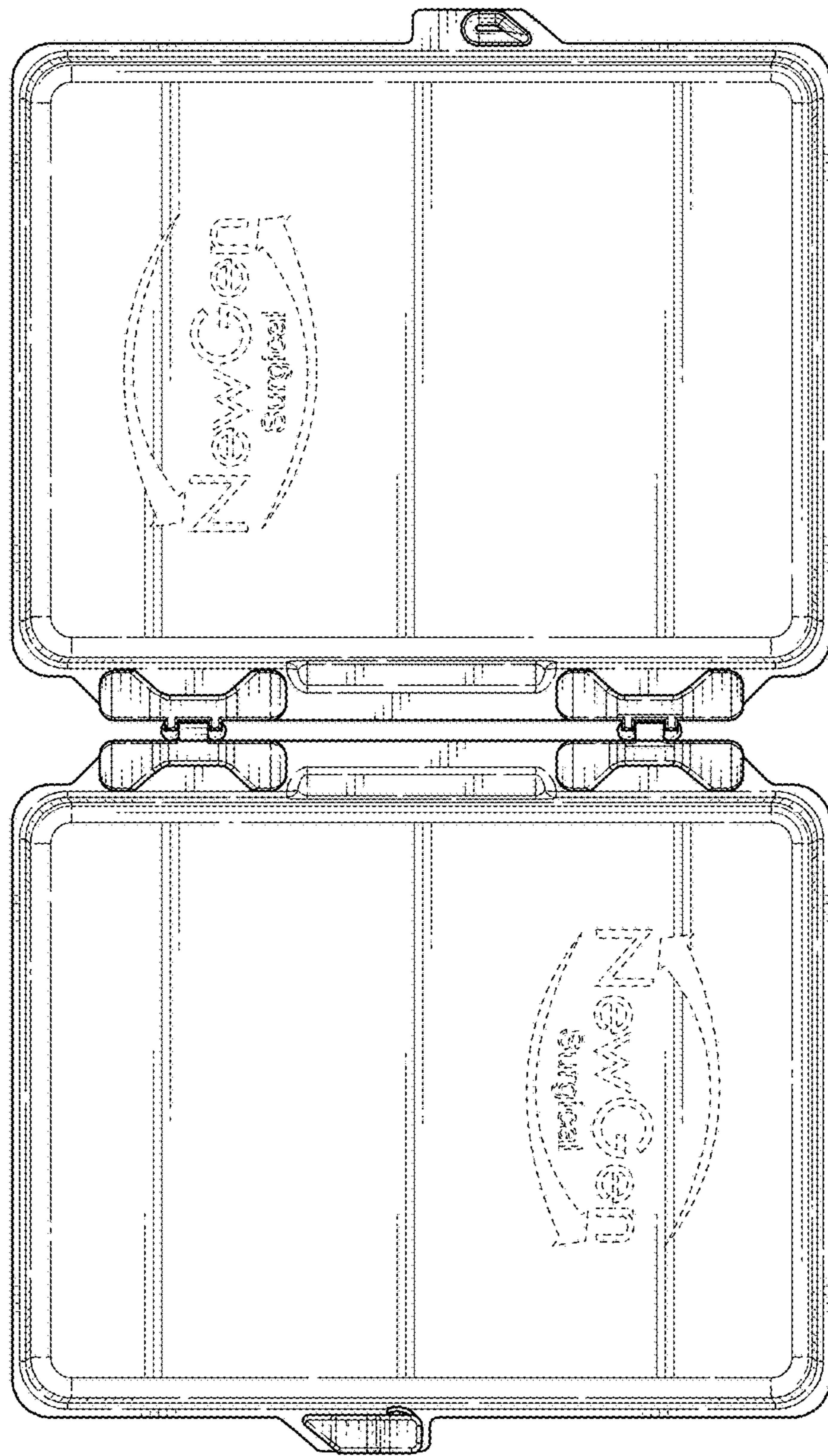


FIG. 3

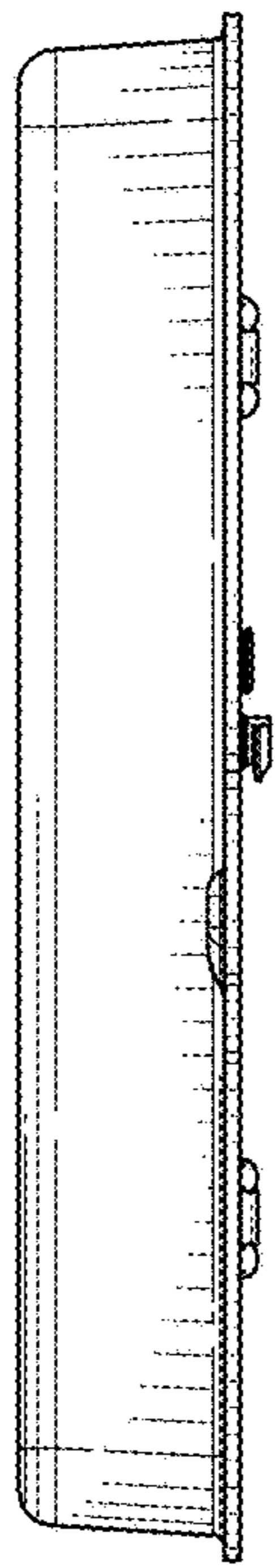


FIG. 4

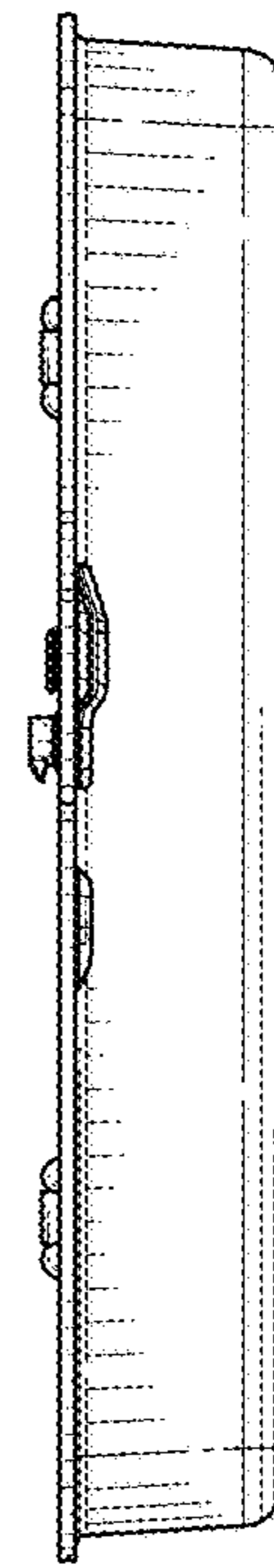


FIG. 5

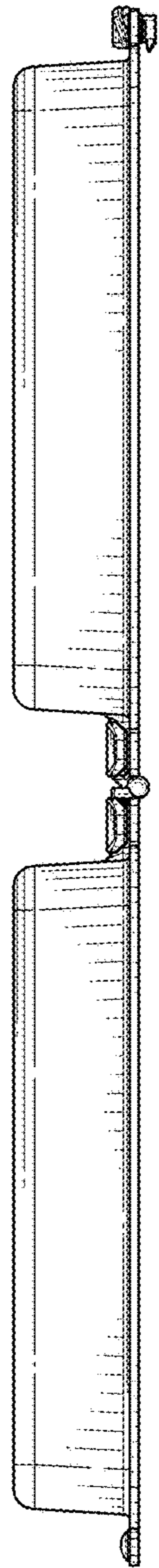


FIG. 6

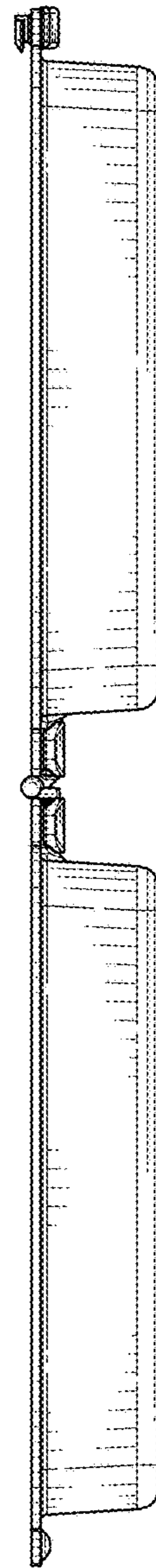


FIG. 7