



US00D895838S

(12) **United States Design Patent**
Purdy et al.

(10) **Patent No.:** **US D895,838 S**

(45) **Date of Patent:** **** Sep. 8, 2020**

(54) **SPECIMEN IMAGING TRAY**

(71) Applicant: **Faxitron Bioptics, LLC**, Tucson, AZ (US)

(72) Inventors: **Ciaran Purdy**, Tucson, AZ (US); **Brad Jackson**, Tucson, AZ (US); **Jared Moore**, Tucson, AZ (US)

(73) Assignee: **Faxitron Bioptics, LLC**, Tucson, AZ (US)

(**) Term: **15 Years**

(21) Appl. No.: **29/670,827**

(22) Filed: **Nov. 20, 2018**

(51) **LOC (12) Cl.** **24-02**

(52) **U.S. Cl.**
USPC **D24/227**

(58) **Field of Classification Search**
USPC D24/216, 224, 226, 227, 229, 230
CPC B01L 9/00
See application file for complete search history.

(56) **References Cited**

U.S. PATENT DOCUMENTS

D237,981 S * 12/1975 Mastrell D24/226
D322,323 S * 12/1991 Moir D24/224
5,449,071 A * 9/1995 Levy A61B 10/0096
206/569
D439,637 S * 3/2001 Davies D23/262

D674,505 S * 1/2013 Cecchi D24/224
D781,437 S * 3/2017 Valley D24/227
D827,151 S * 8/2018 Nakagawa D24/224
2007/0210252 A1* 9/2007 Miyamoto H01J 37/21
250/310
2018/0043365 A1* 2/2018 Ruby B01L 9/00

* cited by examiner

Primary Examiner — Susan Bennett Hattan

Assistant Examiner — Omeed Agilee

(57) **CLAIM**

The ornamental design for a “specimen imaging tray,” as shown and described.

DESCRIPTION

FIG. 1 is a top perspective view of a specimen imaging tray, showing our new design.

FIG. 2 is a bottom perspective view of the specimen imaging tray of FIG. 1.

FIG. 3 is a front view of the specimen imaging tray of FIG. 1.

FIG. 4 is a rear view of the specimen imaging tray of FIG. 1.

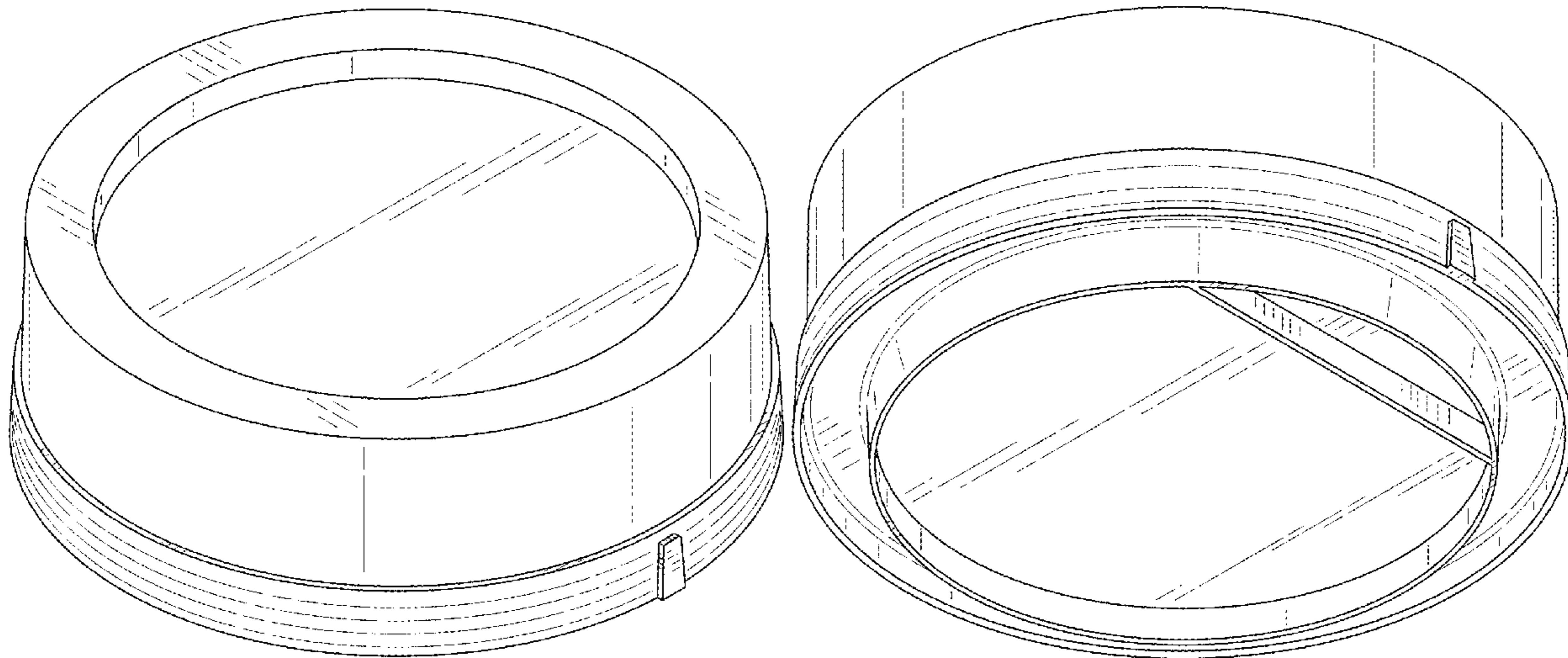
FIG. 5 is a left side view of the specimen imaging tray of FIG. 1.

FIG. 6 is a top view of the specimen imaging tray of FIG. 1; and,

FIG. 7 is a bottom view of the specimen imaging tray of FIG. 1.

A right side view of the specimen imaging tray of FIG. 1 is not presented because it is a mirror image of the left side view of FIG. 5.

1 Claim, 5 Drawing Sheets



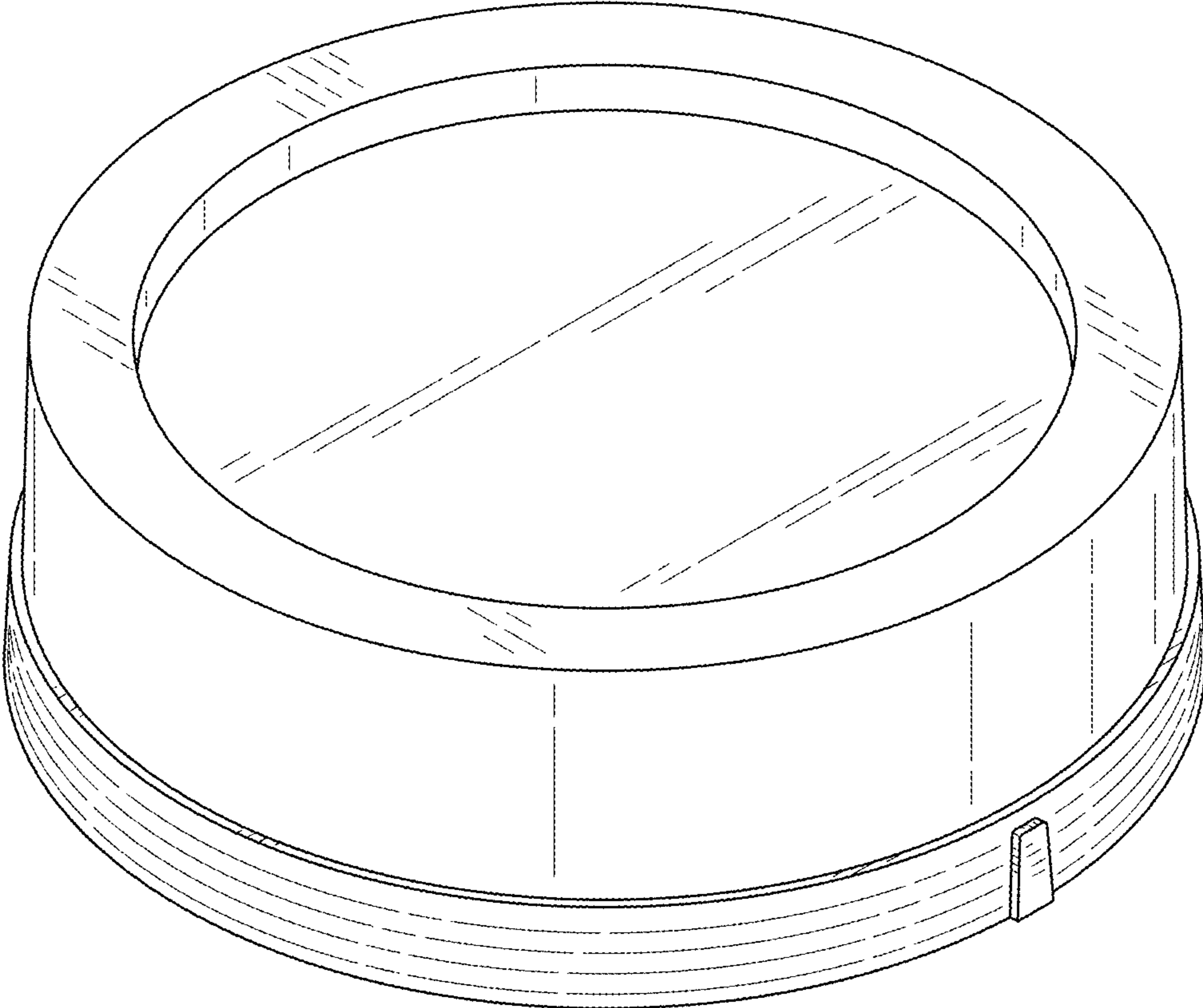


FIG.1

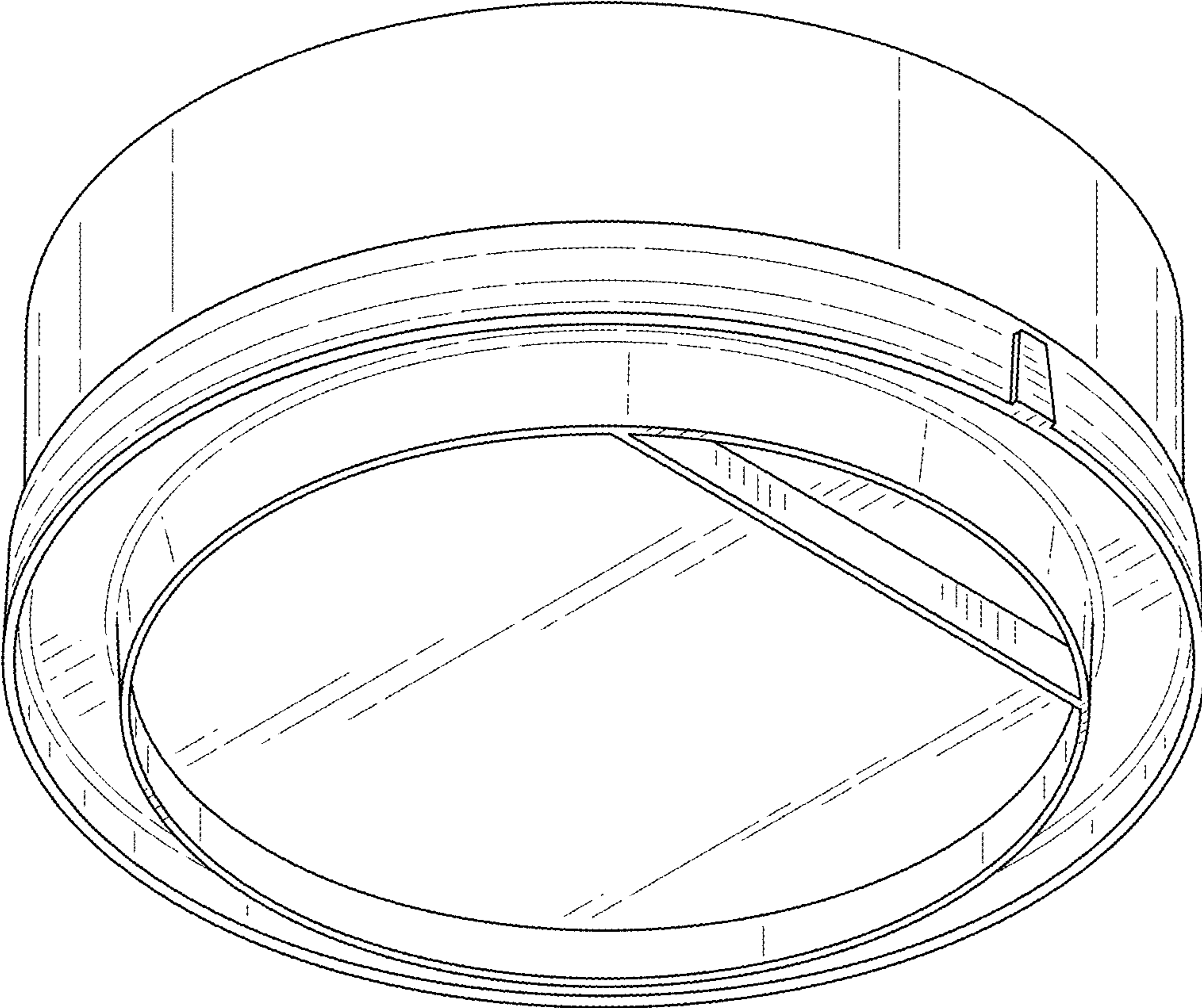


FIG.2

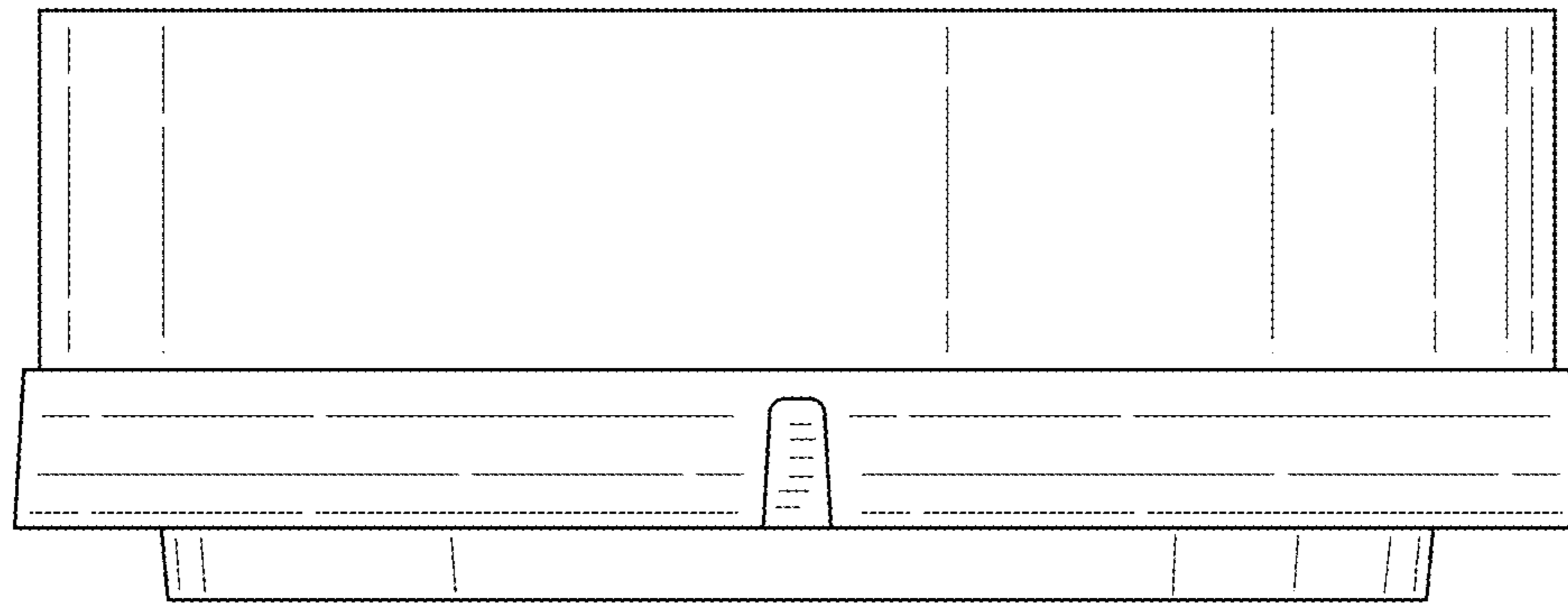


FIG. 3

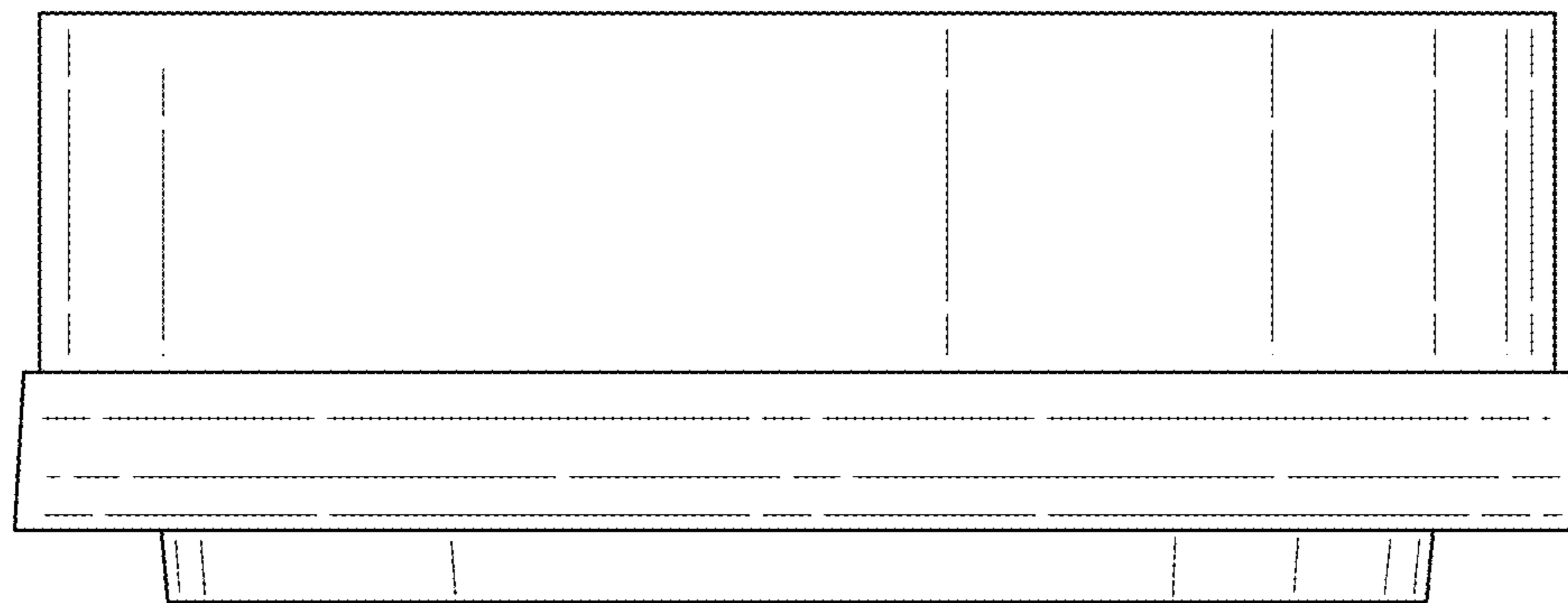


FIG. 4

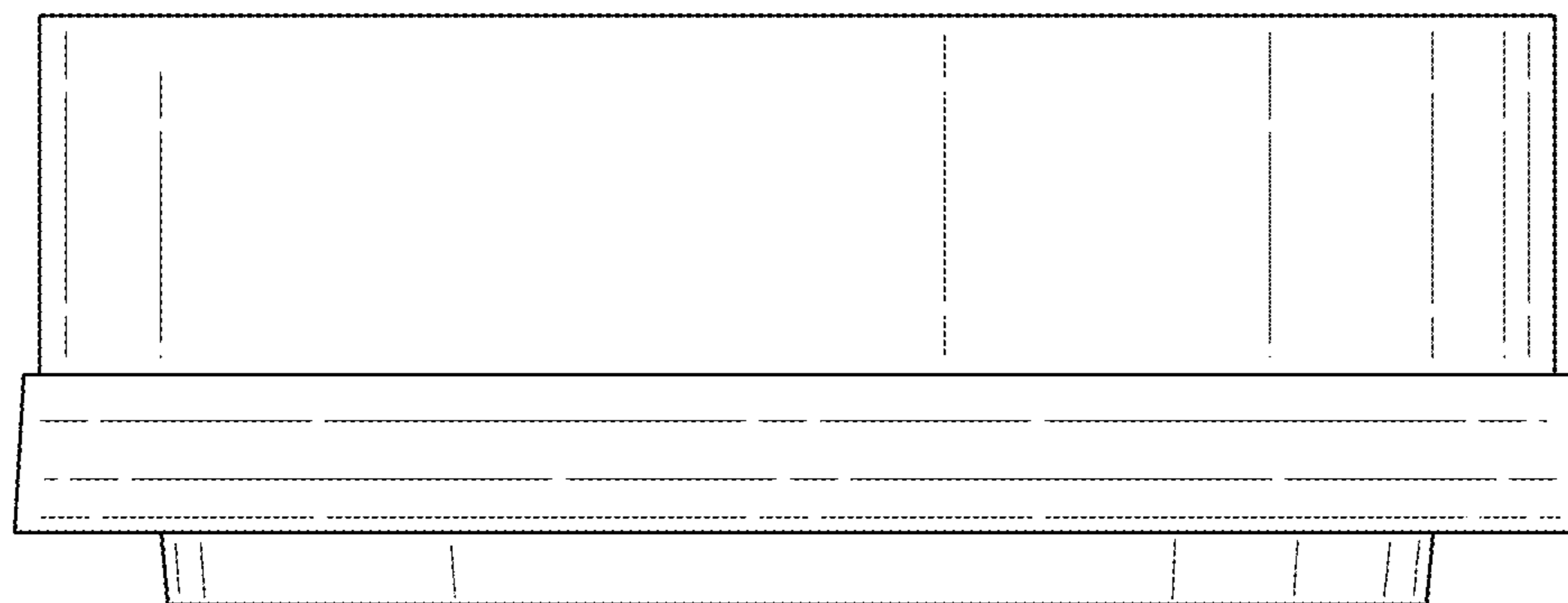


FIG. 5

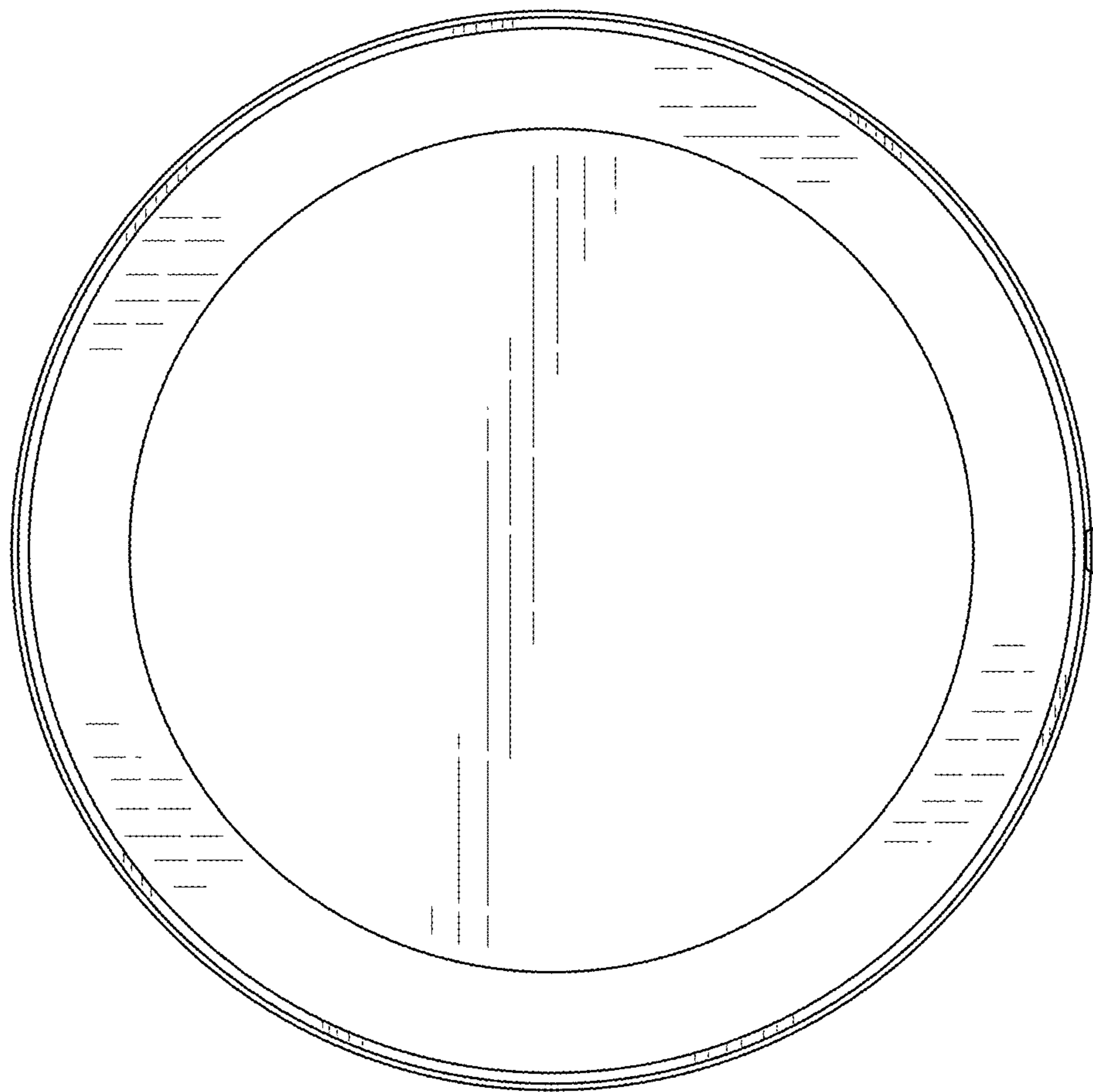


FIG.6

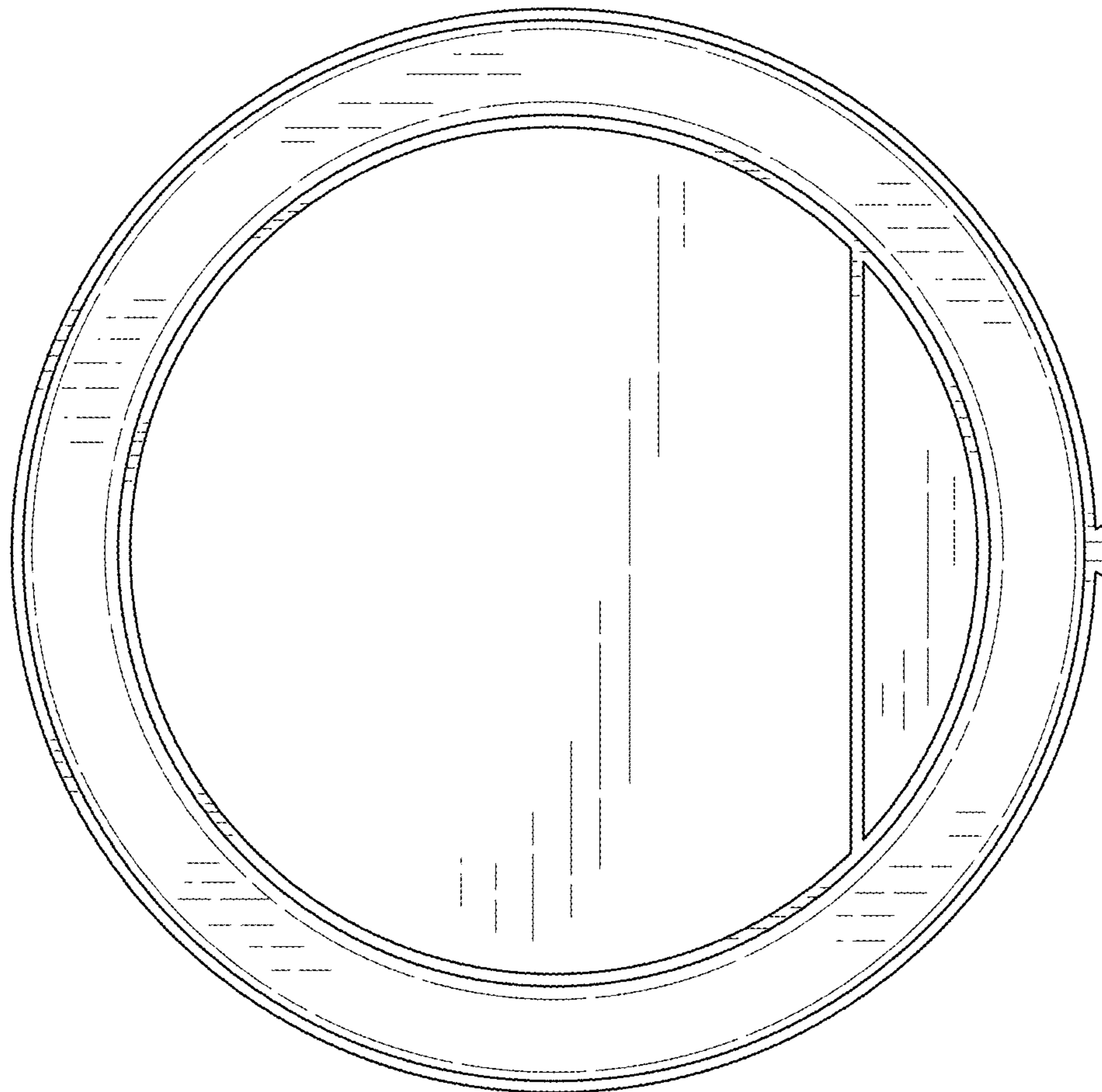


FIG.7