



US00D895831S

(12) **United States Design Patent** (10) **Patent No.:** **US D895,831 S**
Chen (45) **Date of Patent:** **** Sep. 8, 2020**

(54) **MESSAGE DEVICE**

(71) Applicant: **Shenzhen Jinge Electronic & Plastic Co., Ltd.**, Shenzhen, Guangdong (CN)

(72) Inventor: **Junqing Chen**, Guangdong (CN)

(**) Term: **15 Years**

(21) Appl. No.: **29/716,769**

(22) Filed: **Dec. 12, 2019**

(51) **LOC (12) Cl.** **28-03**

(52) **U.S. Cl.**
USPC **D24/215**

(58) **Field of Classification Search**
USPC D24/200, 211, 212, 213, 214, 215;
D8/14.1

CPC A61H 1/00; A61H 7/003; A61H 7/007;
A61H 19/32; A61H 19/40; A61H 19/34;
A61H 19/50; A61H 19/00

See application file for complete search history.

(56) **References Cited**

U.S. PATENT DOCUMENTS

D684,723 S *	6/2013	Tsai	D24/133
D840,547 S *	2/2019	Harle	D24/214
D847,364 S *	4/2019	Lee	D24/215
10,314,762 B1 *	6/2019	Marton	A61H 1/008
D855,822 S	8/2019	Marton et al.		
D863,571 S *	10/2019	Yang	D24/200
D866,790 S *	11/2019	Lee	D24/215
D872,869 S *	1/2020	Lu	D24/215
D873,432 S *	1/2020	Duan	D24/214
D874,015 S *	1/2020	Marton	D24/215
D875,961 S *	2/2020	Li	D24/211

2005/0131461 A1 *	6/2005	Tucek	A61H 1/008 606/239
2014/0221887 A1 *	8/2014	Wu	A61H 15/0092 601/112
2015/0119771 A1 *	4/2015	Roberts	A61H 39/04 601/135
2016/0367425 A1 *	12/2016	Wersland	A61H 1/008
2017/0304145 A1 *	10/2017	Pepe	A61H 23/0254
2018/0200141 A1 *	7/2018	Wersland	A61H 1/008
2018/0361137 A1 *	12/2018	Kern	A46B 15/0022
2019/0175434 A1 *	6/2019	Zhang	A61H 1/008
2019/0254921 A1 *	8/2019	Marton	A61H 1/00

* cited by examiner

Primary Examiner — Cynthia Ramirez

Assistant Examiner — Michael A Maharajh

(74) *Attorney, Agent, or Firm* — ZANIP

(57) **CLAIM**

The ornamental design for a massage device, as shown and described.

DESCRIPTION

FIG. 1 is a front and top perspective view of a massage device, showing my new design;

FIG. 2 is a rear and bottom perspective view thereof;

FIG. 3 is a front elevational view thereof;

FIG. 4 is a rear elevational view thereof;

FIG. 5 is a left side elevational view thereof;

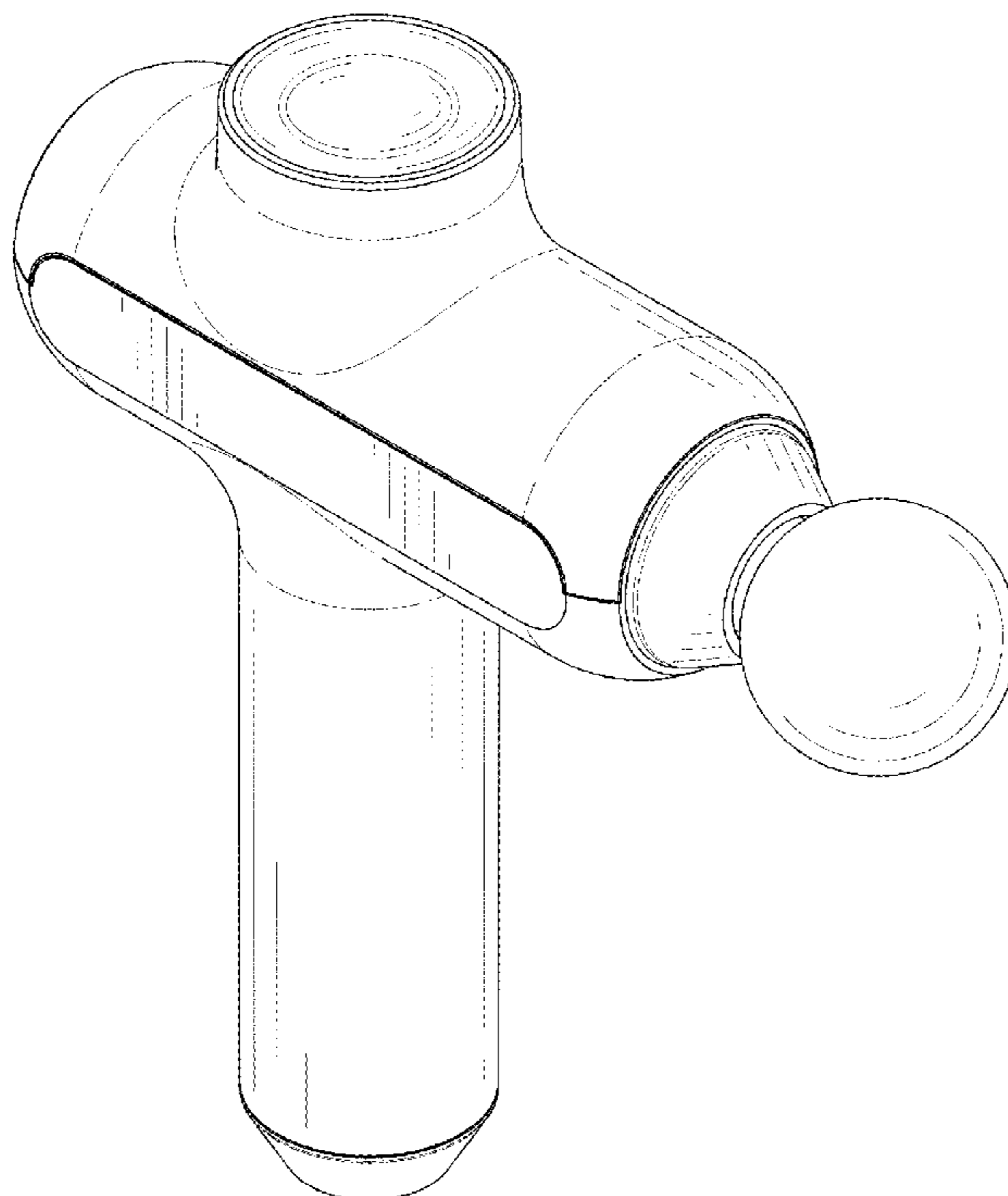
FIG. 6 is a right side elevational view thereof;

FIG. 7 is a top plan view thereof; and,

FIG. 8 is a bottom plan view thereof.

The broken lines in the figures illustrate portions of the massage device that form no part of the claimed design.

1 Claim, 8 Drawing Sheets



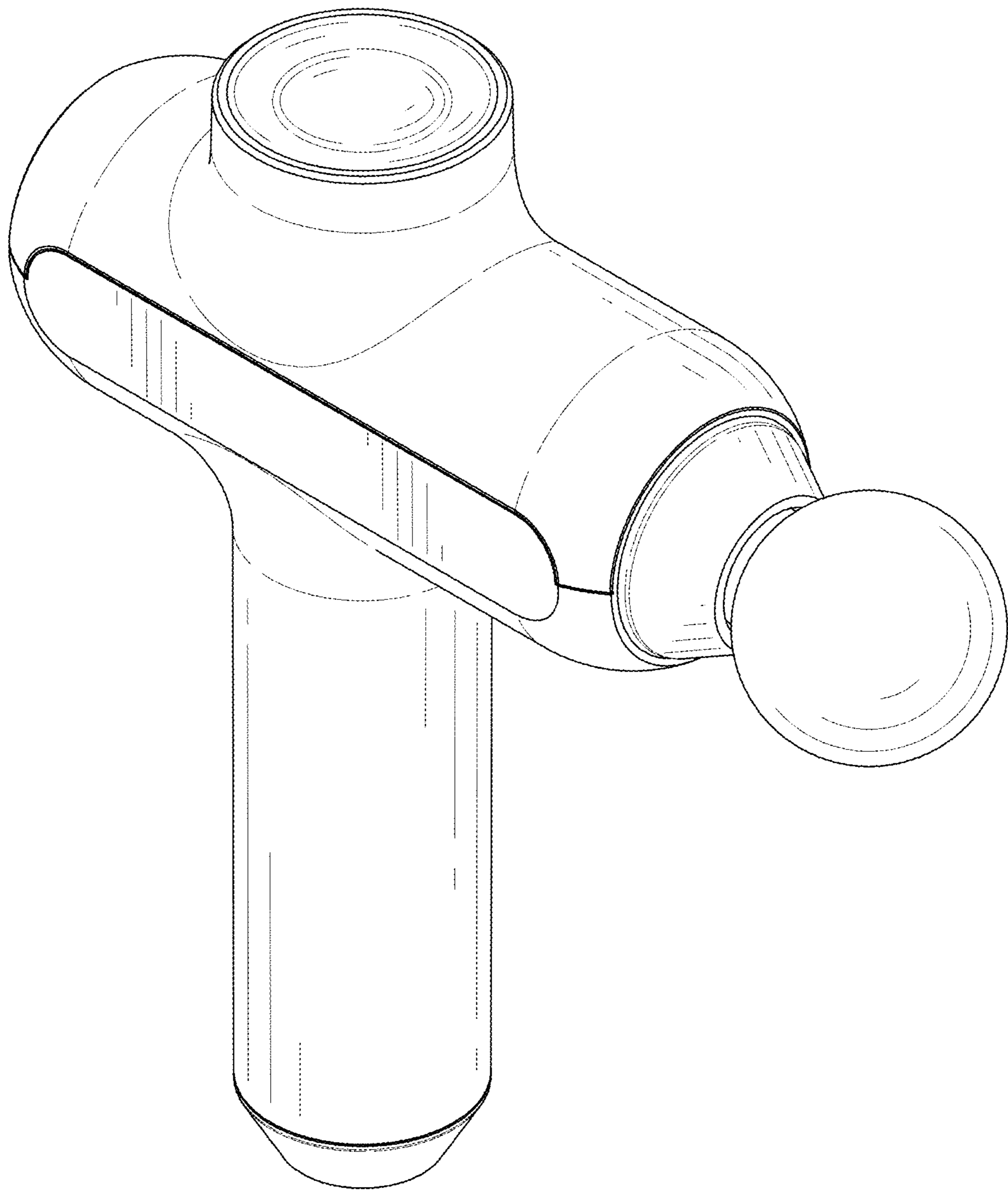


FIG. 1

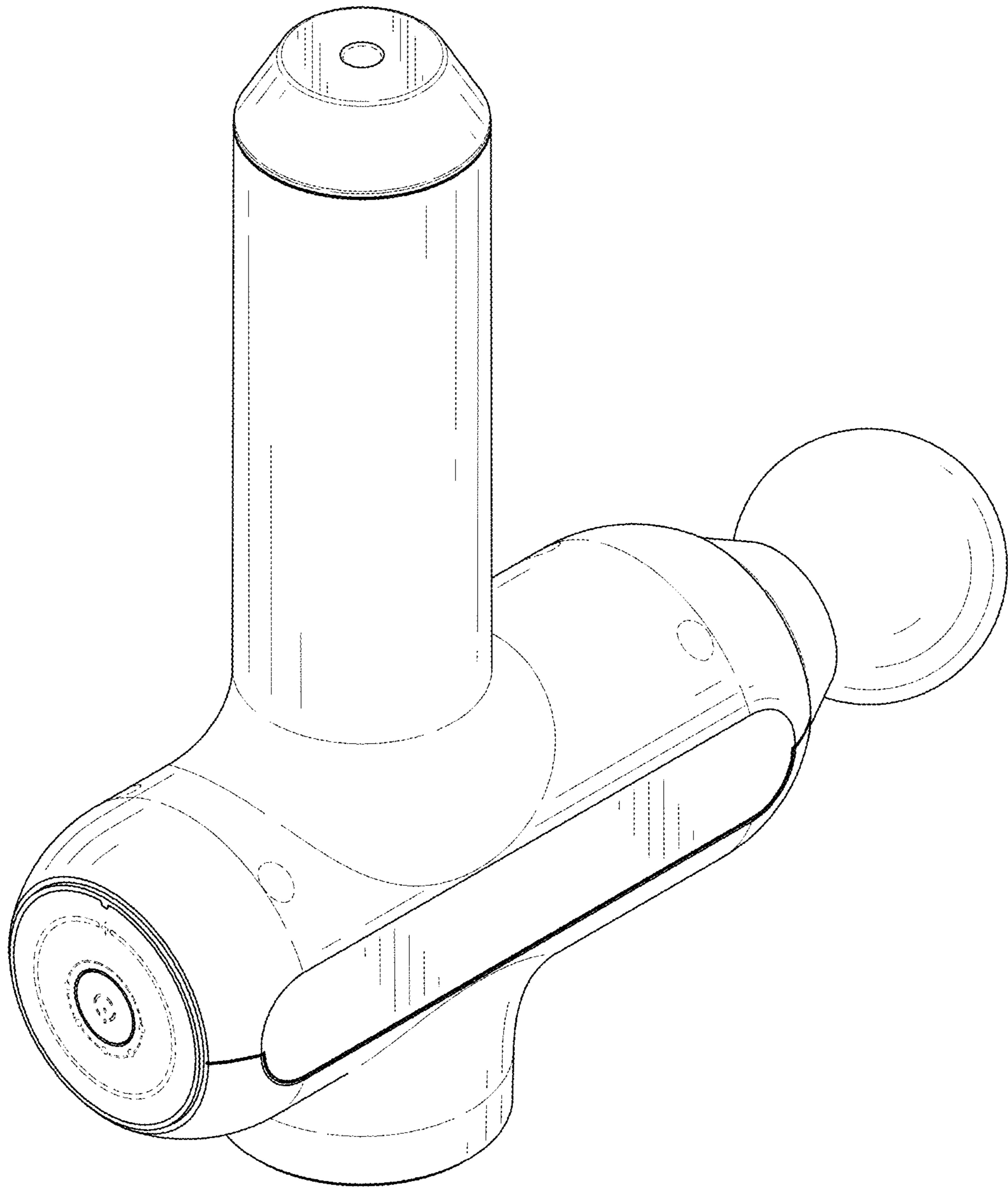


FIG. 2

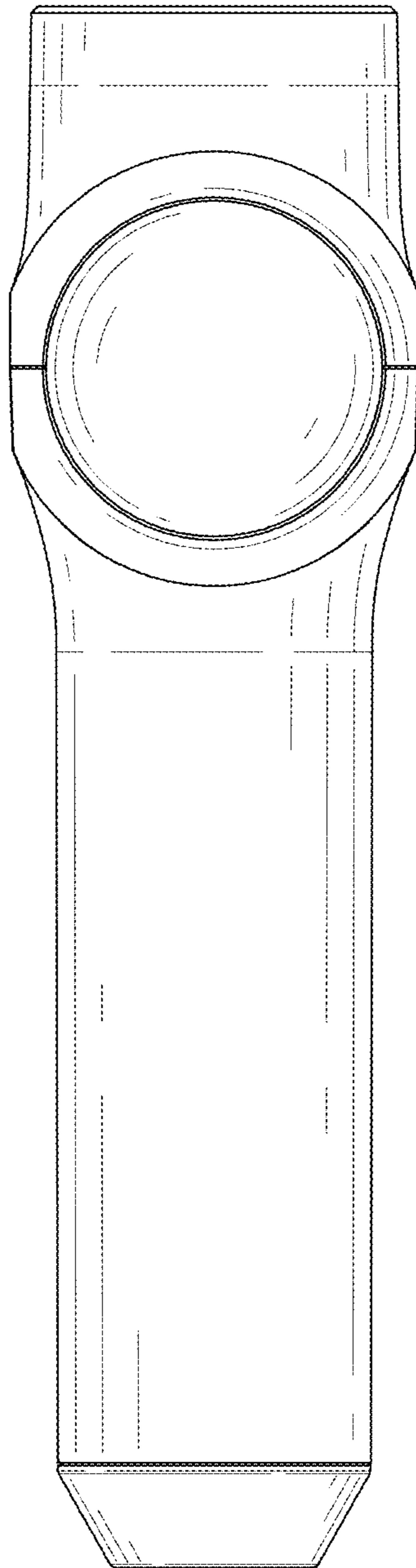


FIG. 3

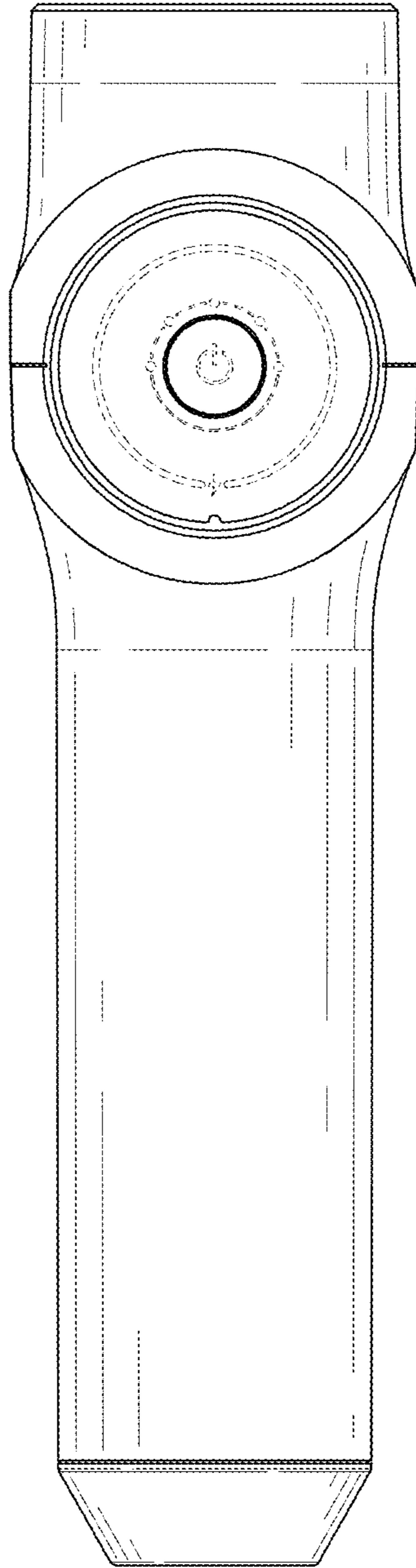


FIG. 4

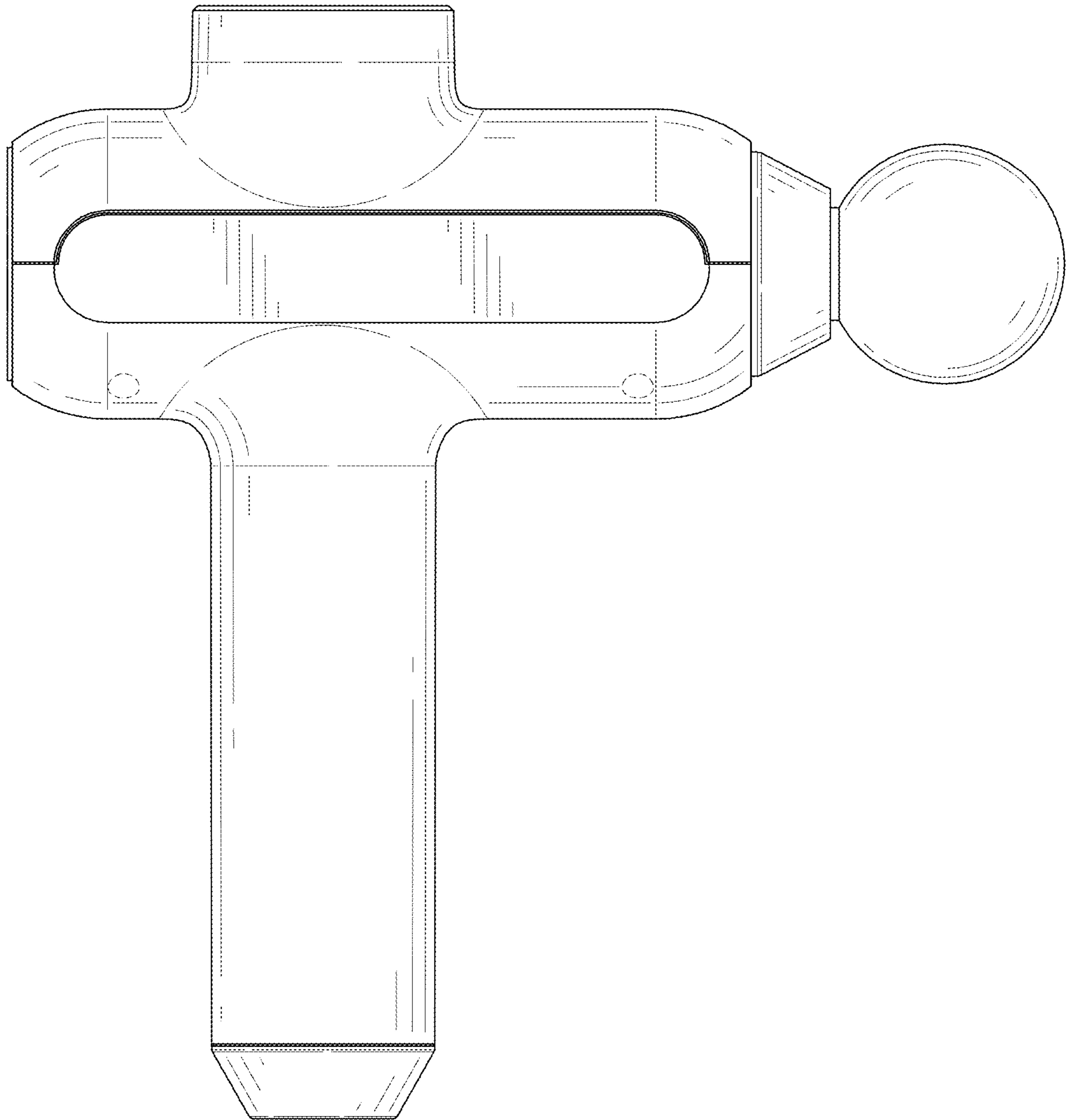


FIG. 5

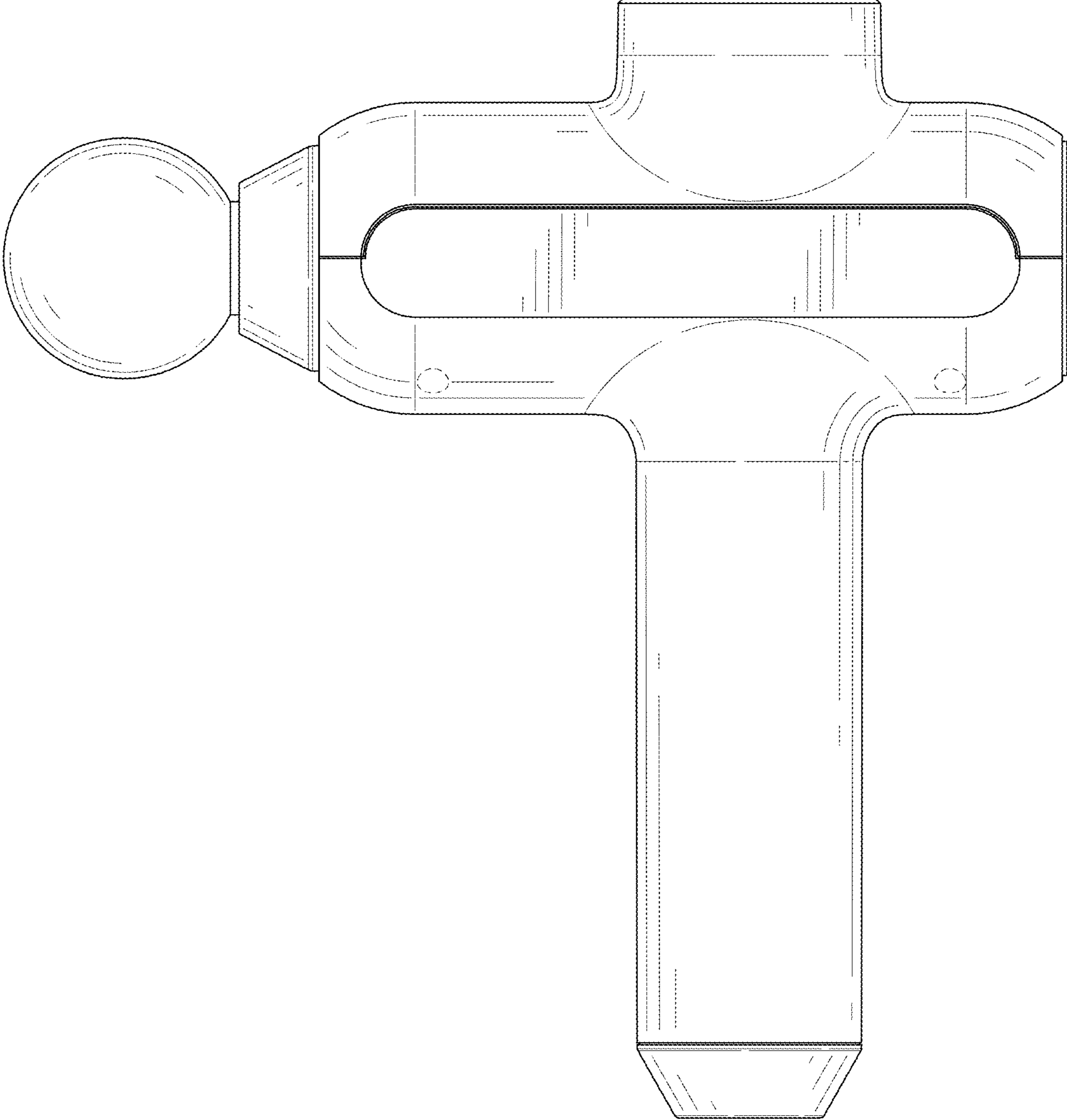


FIG. 6

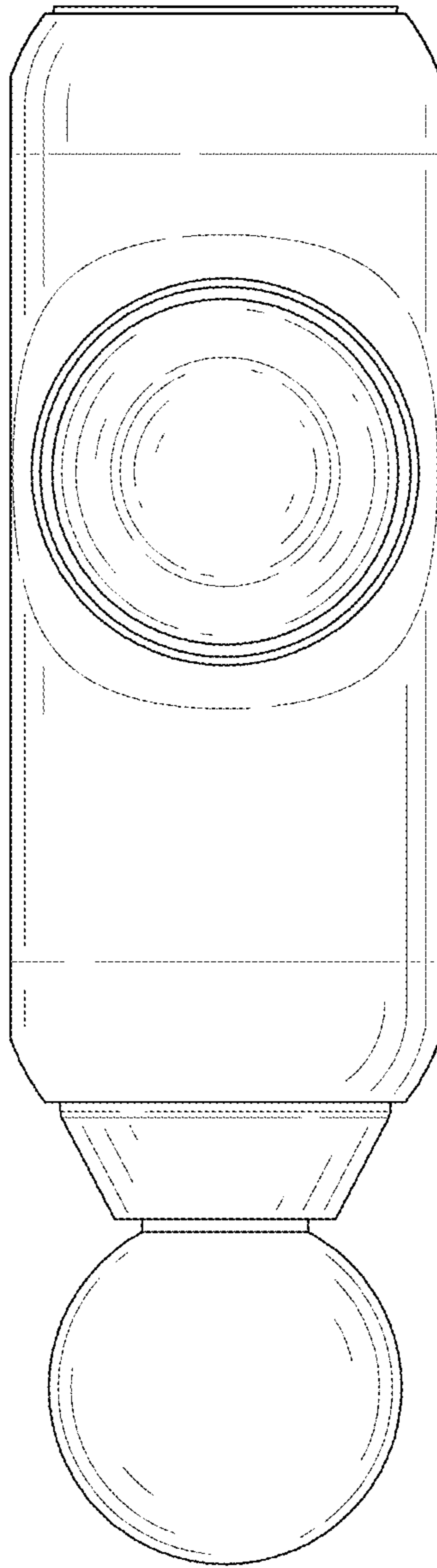


FIG. 7

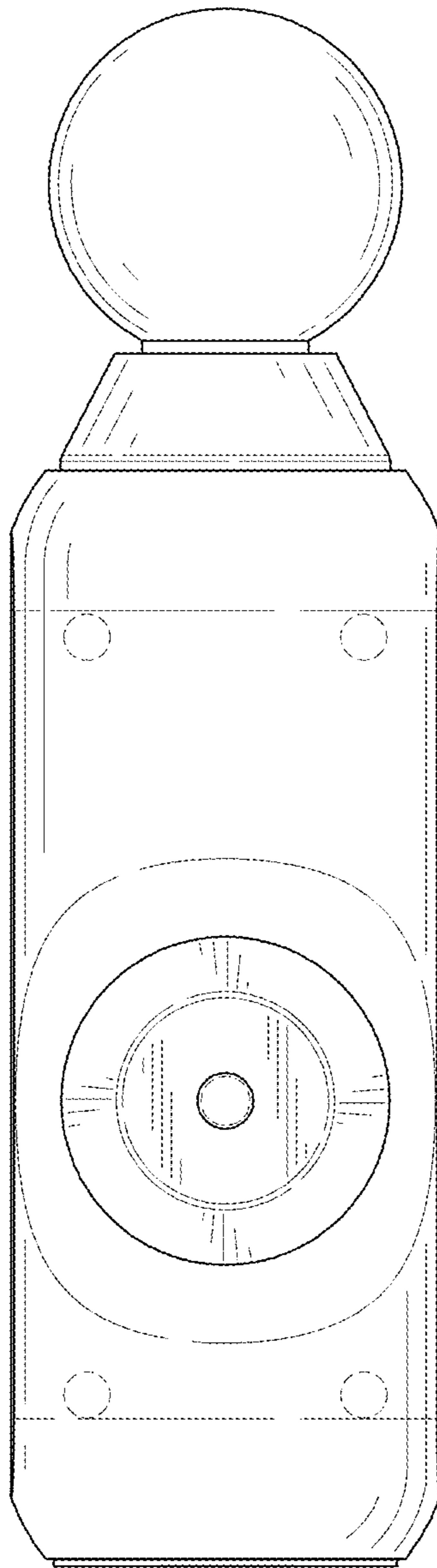


FIG. 8