



US00D895830S

(12) **United States Design Patent** (10) **Patent No.:** **US D895,830 S**
Nakamura (45) **Date of Patent:** **** Sep. 8, 2020**

(54) **MASSAGE INSTRUMENT**
(71) Applicant: **DREAM FACTORY INC.**, Osaka-shi,
Osaka (JP)
(72) Inventor: **Tomoyoshi Nakamura**, Osaka (JP)
(73) Assignee: **DREAM FACTORY INC.**, Osaka-shi
(JP)

D320,289 S * 9/1991 Blackstone D16/312
D366,732 S * 1/1996 Gregg D29/108
D375,317 S * 11/1996 Canavan D16/101
D377,241 S * 1/1997 Kenner D24/190
D405,538 S * 2/1999 Chih D24/215
D428,620 S * 7/2000 Maturaporn 2/12

(Continued)

(**) Term: **15 Years**

FOREIGN PATENT DOCUMENTS

JP 1455423 S 11/2012
JP 1505675 S 8/2014

(Continued)

(21) Appl. No.: **29/690,790**

OTHER PUBLICATIONS

(22) Filed: **May 10, 2019**

Oct. 14, 2014 Publication of Japanese Patent Office design section
publicly known gazette No. HJ2604196800.

(Continued)

(30) **Foreign Application Priority Data**

Jan. 18, 2019 (JP) 2019-000870

(51) **LOC (12) Cl.** **28-03**

(52) **U.S. Cl.**
USPC **D24/215**; D16/312; D16/303

(58) **Field of Classification Search**
USPC D16/310, 312, 320, 324; D24/200, 214,
D24/215; D29/102, 105, 106, 108, 110
CPC . A63B 33/002; A61F 9/02; A61F 9/04; A61F
9/06; A61H 5/00; A61H 2205/024
See application file for complete search history.

Primary Examiner — Cynthia Ramirez
Assistant Examiner — Michael A Maharajh
(74) *Attorney, Agent, or Firm* — Oliff PLC

(57) **CLAIM**

The ornamental design for a massage instrument, as shown
and described.

DESCRIPTION

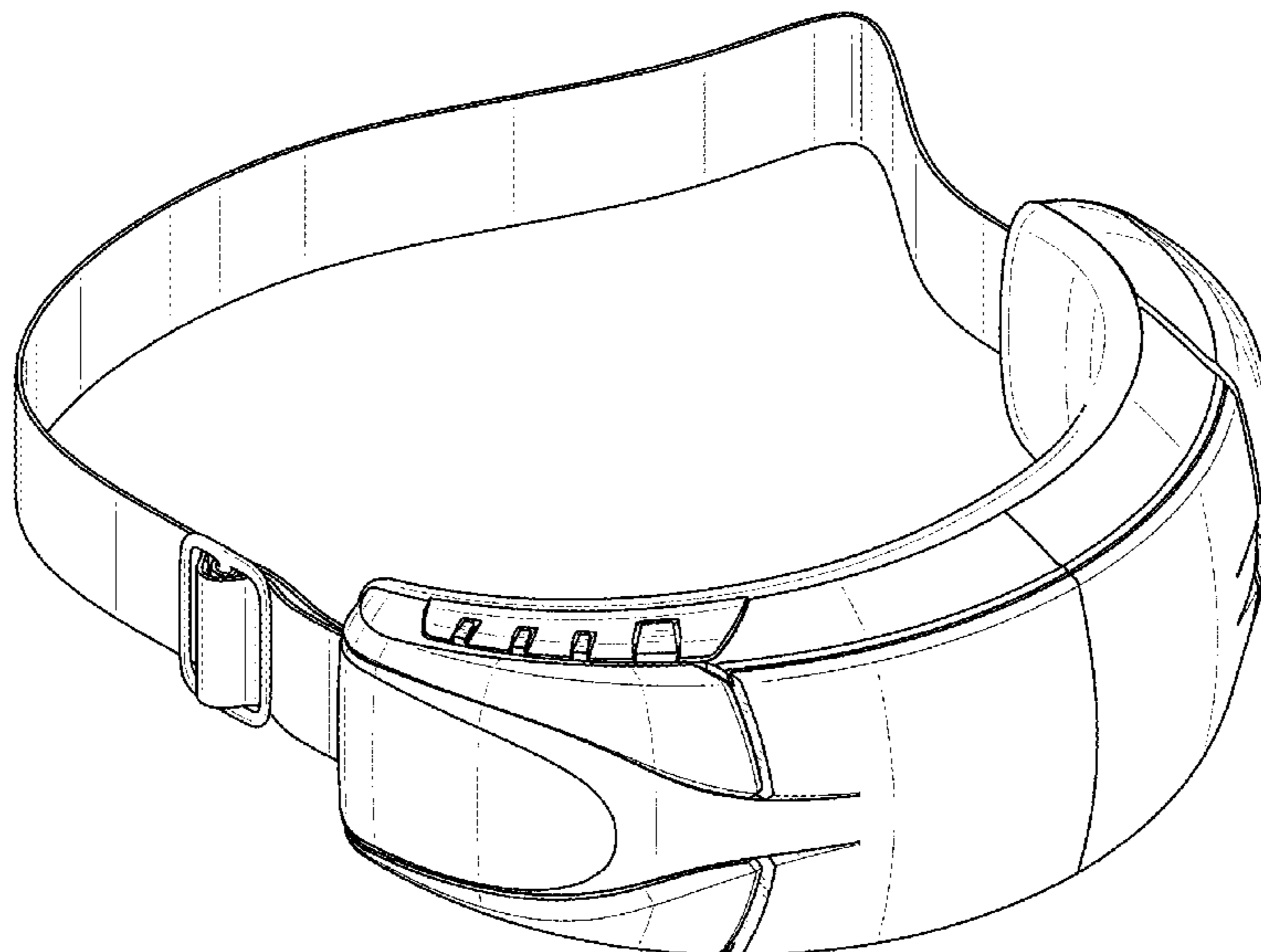
(56) **References Cited**

U.S. PATENT DOCUMENTS

D201,101 S * 5/1965 Gilbert D16/312
4,043,637 A * 8/1977 Hovey A61F 9/023
359/241
D247,312 S * 2/1978 Zeiss D24/215
D250,835 S * 1/1979 Grube D24/215
D253,790 S * 12/1979 Grube D24/215
D274,385 S * 6/1984 Newcomb D29/108
D293,373 S * 12/1987 Beck D16/312
4,938,582 A * 7/1990 Leslie A61H 5/00
351/158
D311,263 S * 10/1990 Russell D24/189

FIG. 1 is a front perspective view of the massage instrument;
FIG. 2 is a rear perspective view thereof;
FIG. 3 is a front elevational view thereof;
FIG. 4 is a rear elevational view thereof;
FIG. 5 is a left-side elevational view thereof;
FIG. 6 is a right-side elevational view thereof;
FIG. 7 is a top plan view thereof;
FIG. 8 is a bottom plan view thereof; and,
FIG. 9 is a front perspective view thereof in an alternative
configuration.

1 Claim, 9 Drawing Sheets



(56)

References Cited

U.S. PATENT DOCUMENTS

D428,906 S * 8/2000 Bolle D16/312
 D477,347 S * 7/2003 Brueck D16/312
 D478,926 S * 8/2003 Moritz D16/312
 D484,524 S * 12/2003 Wiedner D16/312
 D653,695 S * 2/2012 Tobia D16/312
 D693,016 S * 11/2013 Ma D24/215
 D730,430 S * 5/2015 Tanguy D16/312
 D739,543 S 9/2015 Ma
 D748,717 S * 2/2016 Yang D16/312
 D769,453 S * 10/2016 Ma D24/215
 D784,441 S * 4/2017 Garfias D16/312
 D821,037 S * 6/2018 Wallis D29/110
 D834,755 S * 11/2018 Schempp D29/110
 D841,179 S * 2/2019 Ma D24/215
 D847,248 S * 4/2019 Liang D16/313
 D868,878 S * 12/2019 Langenwalter D16/312
 D872,168 S * 1/2020 Zhang D16/312
 D872,169 S * 1/2020 Yong D16/312
 D880,573 S * 4/2020 Liang D16/312
 D880,574 S * 4/2020 Liang D16/312
 D884,913 S * 5/2020 Peng D24/215
 2003/0056281 A1 * 3/2003 Hasegawa A61F 9/04
 2/428
 2007/0093685 A1 * 4/2007 Bighetty A61F 11/14
 600/26
 2008/0189838 A1 * 8/2008 Mage A61F 9/02
 2/436
 2013/0067626 A1 * 3/2013 Sandor A61F 9/026
 2/10

2016/0051439 A1 * 2/2016 Brown A61H 21/00
 601/46
 2017/0014304 A1 * 1/2017 Tarumi A61H 39/04
 2017/0068119 A1 * 3/2017 Antaki G02B 27/0093
 2017/0252258 A1 * 9/2017 Ma A61H 39/04
 2017/0340478 A1 * 11/2017 Yang A61H 23/02
 2018/0098908 A1 * 4/2018 Chien G09B 19/003
 2019/0015296 A1 * 1/2019 Takehara C01B 3/065
 2019/0209419 A1 * 7/2019 Tolle A61B 3/005
 2019/0282434 A1 * 9/2019 Park A61H 5/00
 2019/0336377 A1 * 11/2019 McCann A61F 9/026
 2020/0030150 A1 * 1/2020 Oduncu A61F 9/08
 2020/0046549 A1 * 2/2020 Paulson A61F 7/02
 2020/0142218 A1 * 5/2020 McNeal A61F 9/02

FOREIGN PATENT DOCUMENTS

JP 1562029 S 10/2016
 JP 1574510 S 4/2017
 JP 1588185 S 10/2017

OTHER PUBLICATIONS

Feb. 18, 2015 Publication of Japanese Patent Office design section publicly known gazette No. HC2601937300.
 Sep. 17, 2015 Publication of Japanese Patent Office design section publicly known gazette No. HJ2703400100.
 Mar. 2, 2016 Publication of Japanese Patent Office design section publicly known gazette No. HC2701865000.
 Mar. 22, 2019 Decision of Registration issued in Japanese Patent Application No. 2019-000870.

* cited by examiner

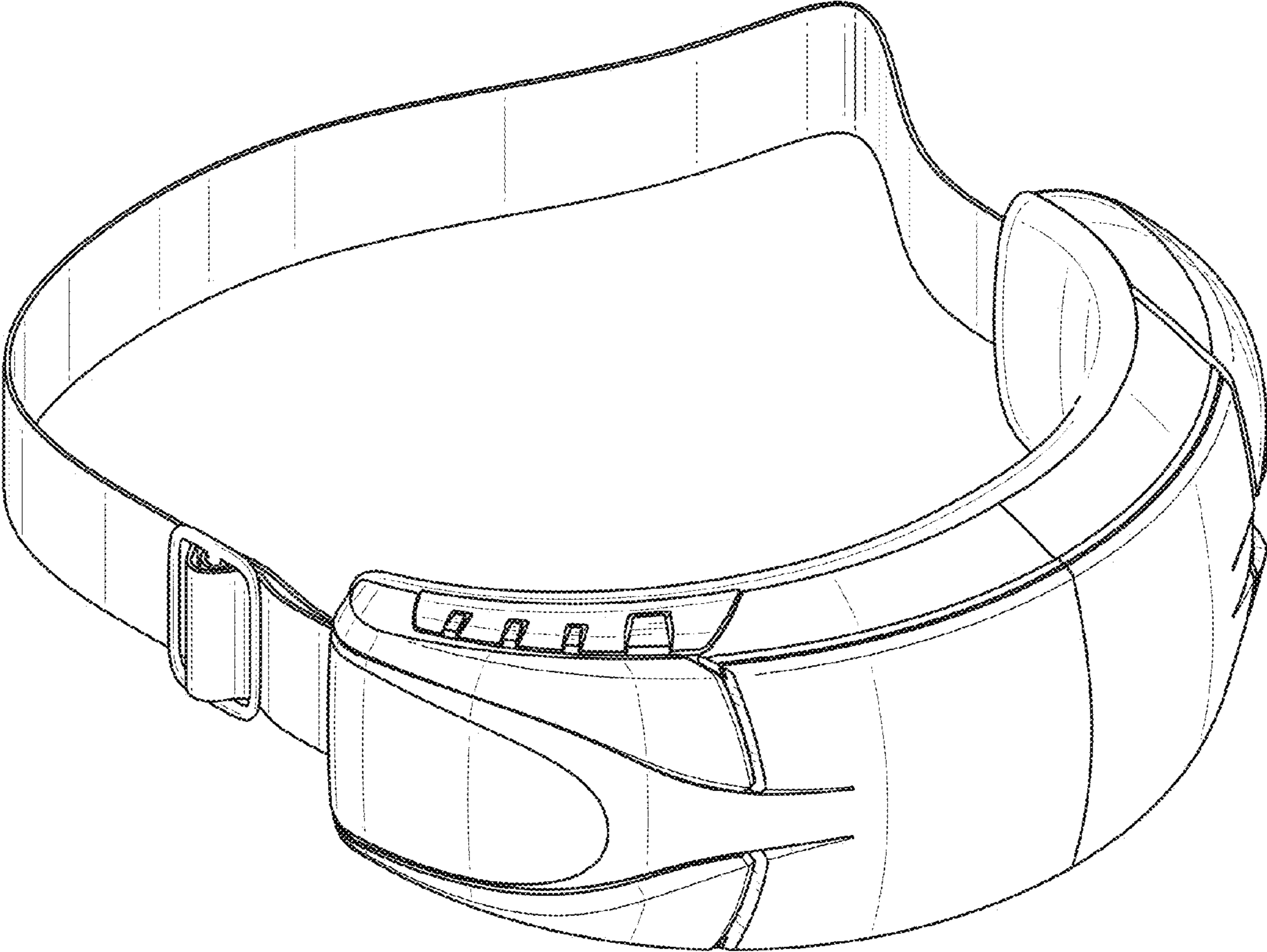


FIG. 1

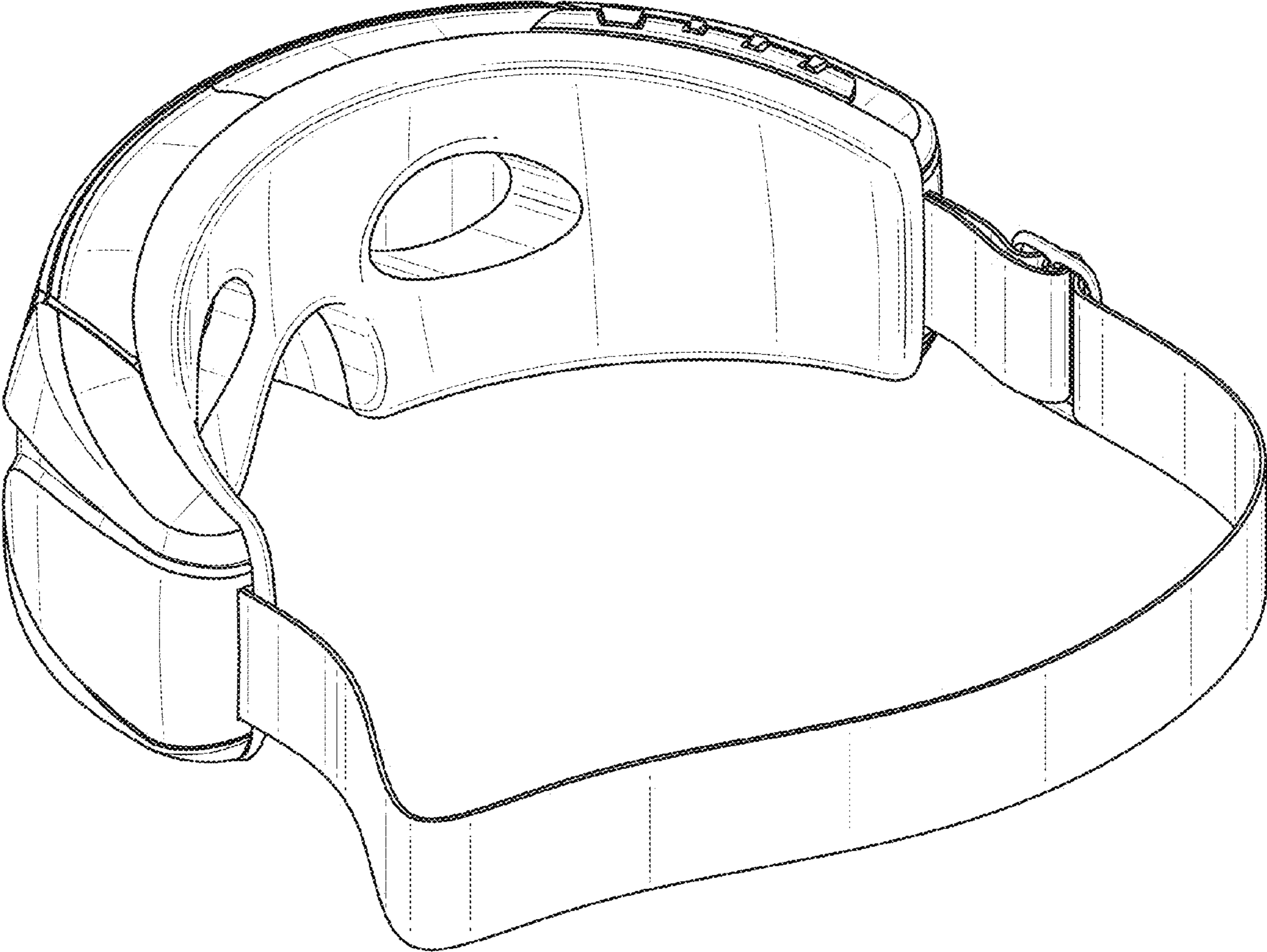


FIG. 2

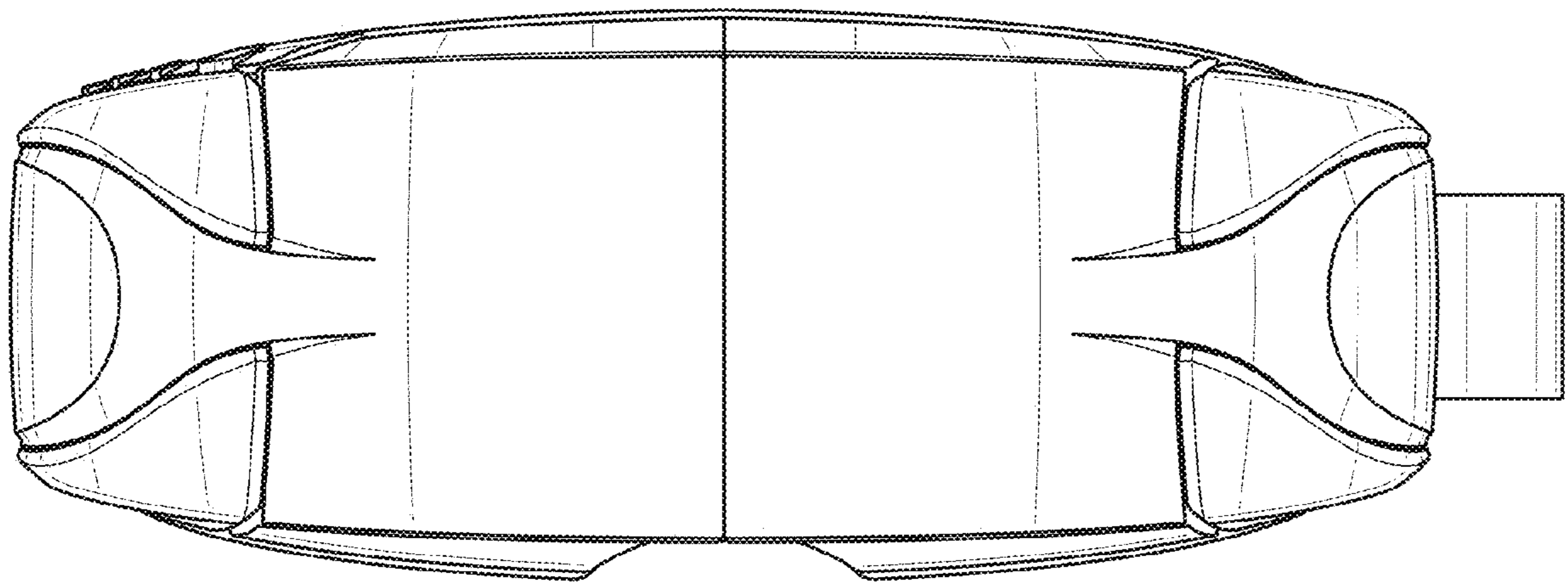


FIG. 3

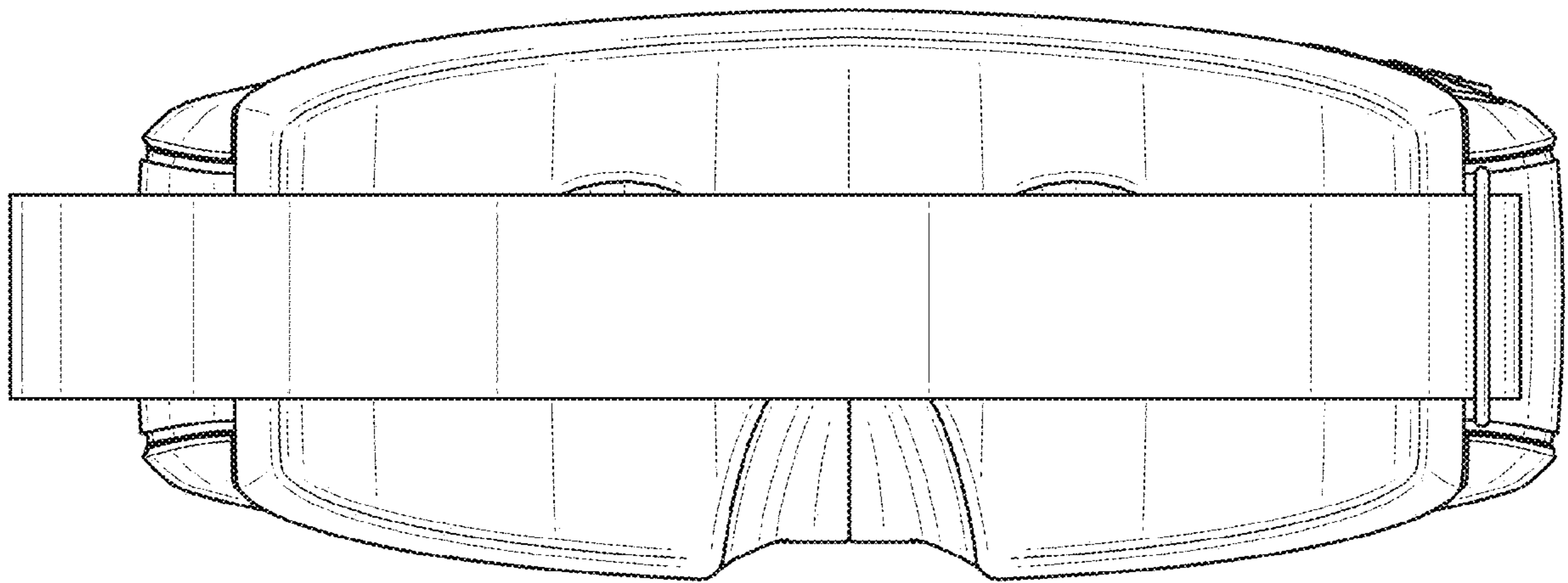


FIG. 4

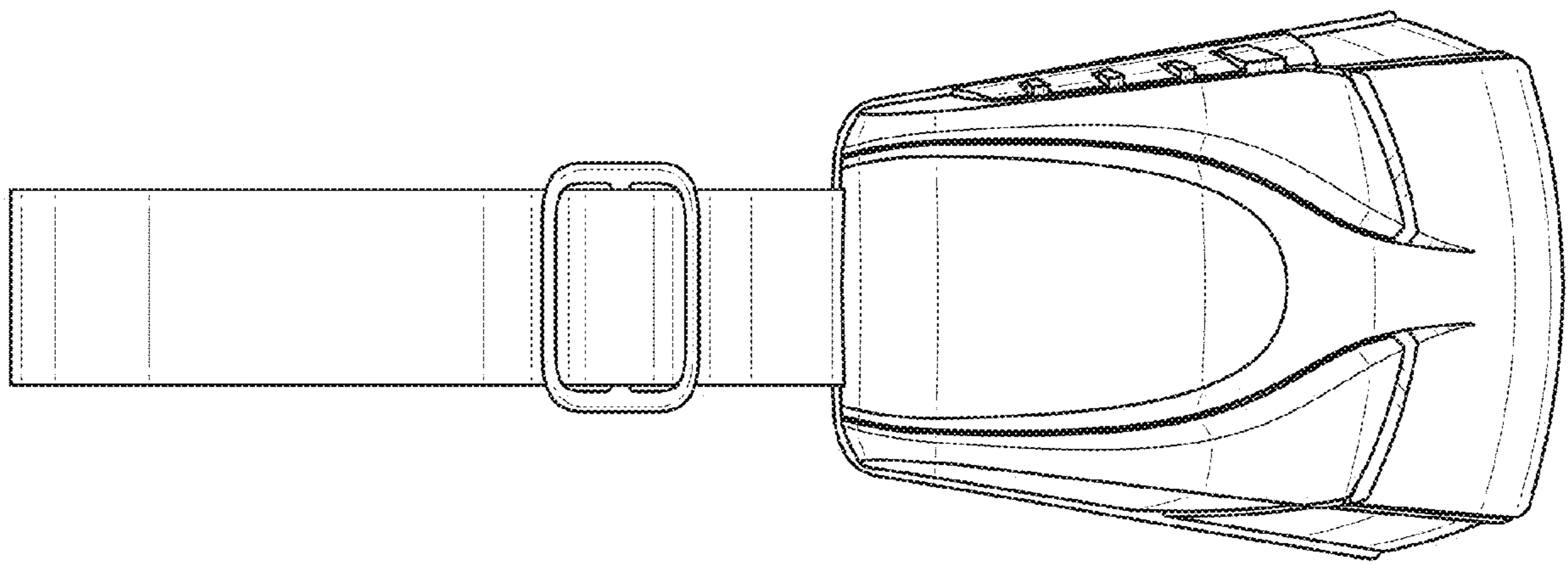


FIG. 5

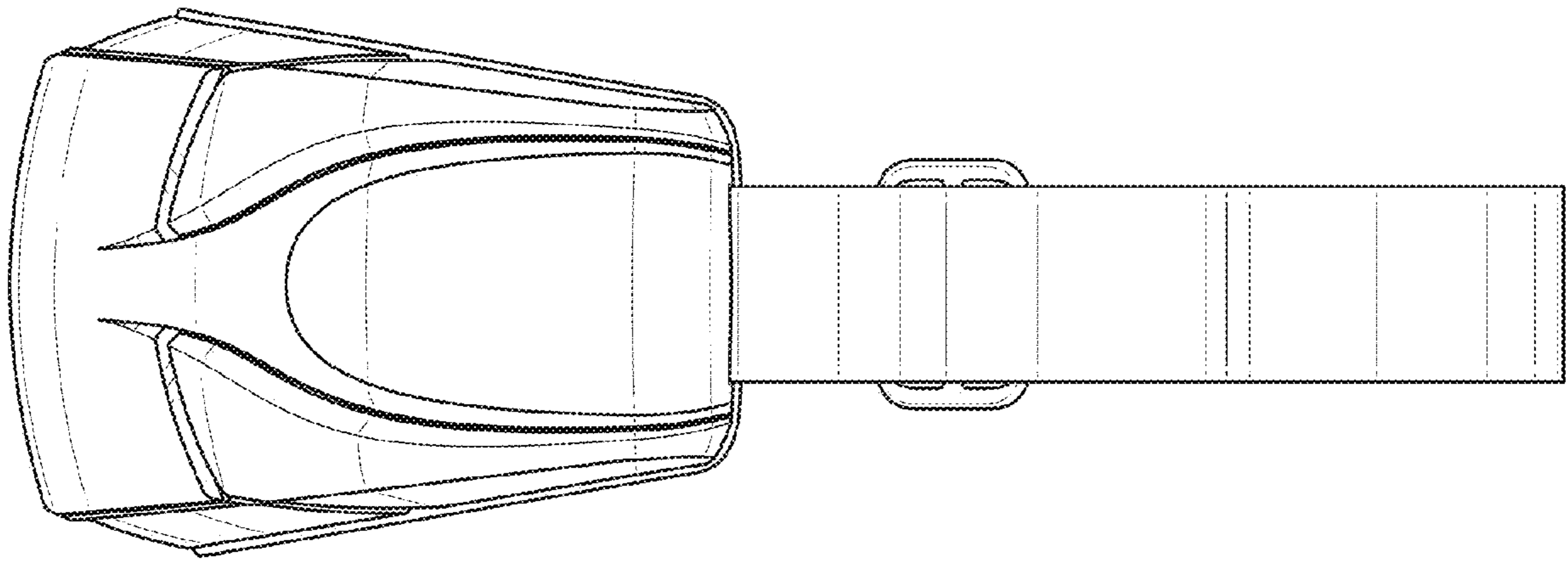


FIG. 6

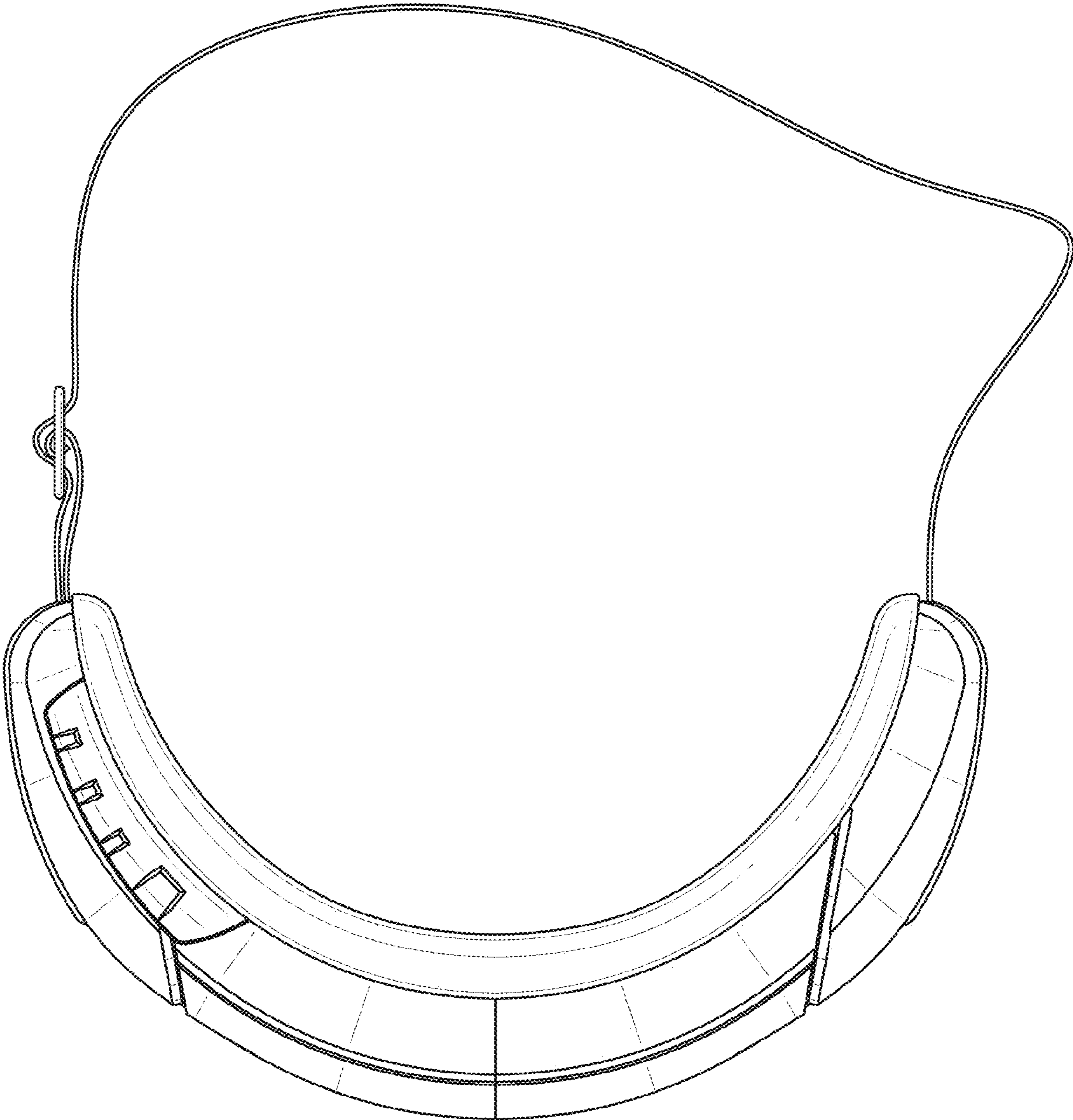


FIG. 7

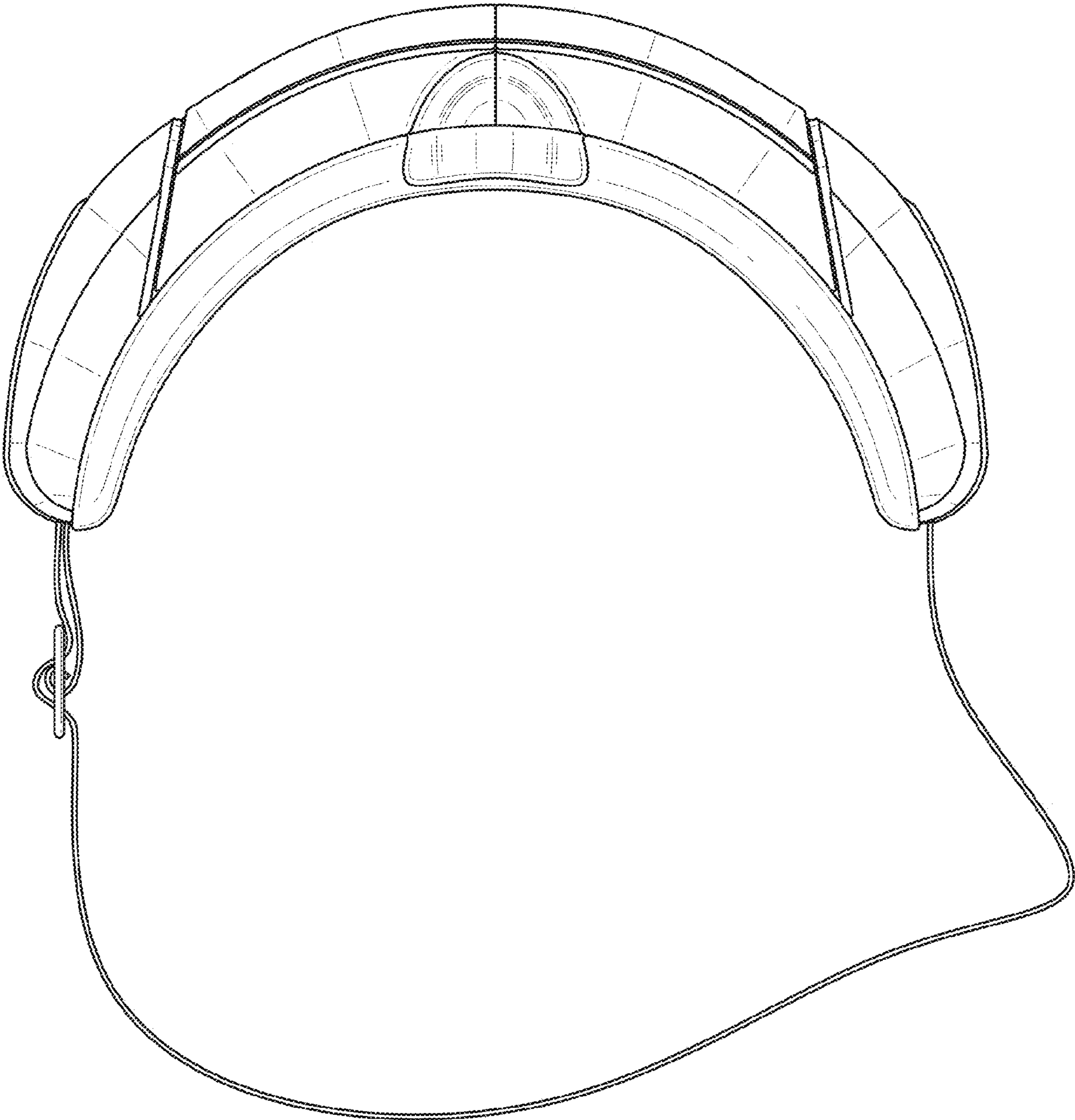


FIG. 8

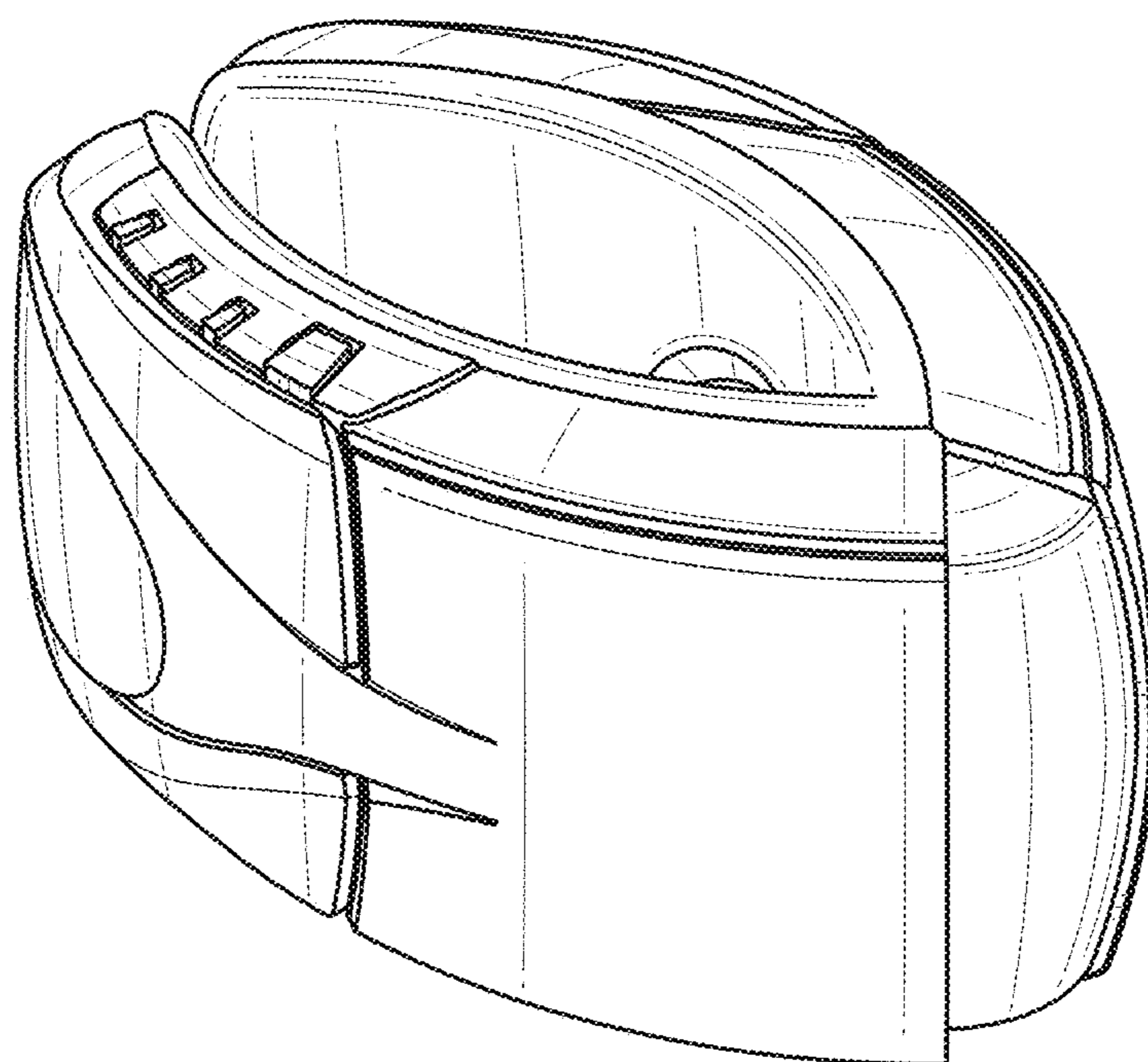


FIG. 9