



US00D895827S

(12) **United States Design Patent**
Strobel

(10) **Patent No.:** **US D895,827 S**

(45) **Date of Patent:** **** Sep. 8, 2020**

(54) **SEX TOY**

(71) Applicant: **Michael Strobel**, Wermelskirchen (DE)

(72) Inventor: **Michael Strobel**, Wermelskirchen (DE)

(**) Term: **15 Years**

(21) Appl. No.: **29/647,833**

(22) Filed: **May 16, 2018**

(30) **Foreign Application Priority Data**

Dec. 1, 2017 (EM) 004529923-0001

(51) **LOC (12) Cl.** **28-03**

(52) **U.S. Cl.**
USPC **D24/215**

(58) **Field of Classification Search**
USPC D24/188-192, 200, 206, 214, 215;
D2/627, 636

CPC A61H 19/00
See application file for complete search history.

(56) **References Cited**

U.S. PATENT DOCUMENTS

D599,080 S * 9/2009 Pantoja D2/627
D619,780 S * 7/2010 Hooker D2/627

8,852,081 B2 * 10/2014 Beadle A61H 19/00

600/38

D726,993 S * 4/2015 Ermel D2/627

D750,343 S * 3/2016 Biesel D2/627

D844,286 S * 4/2019 Dorsey D2/627

* cited by examiner

Primary Examiner — Darcey E Gottschalk

(74) *Attorney, Agent, or Firm* — Panitch Schwarze
Belisario & Nadel LLP

(57) **CLAIM**

The ornamental design for a sex toy, as shown and described.

DESCRIPTION

FIG. 1 is a front, top and right side perspective view of a sex toy in accordance with my new design;

FIG. 2 is a rear, bottom and right side perspective view thereof;

FIG. 3 is a front elevational view thereof;

FIG. 4 is a rear elevational view thereof;

FIG. 5 is a left side elevational view thereof;

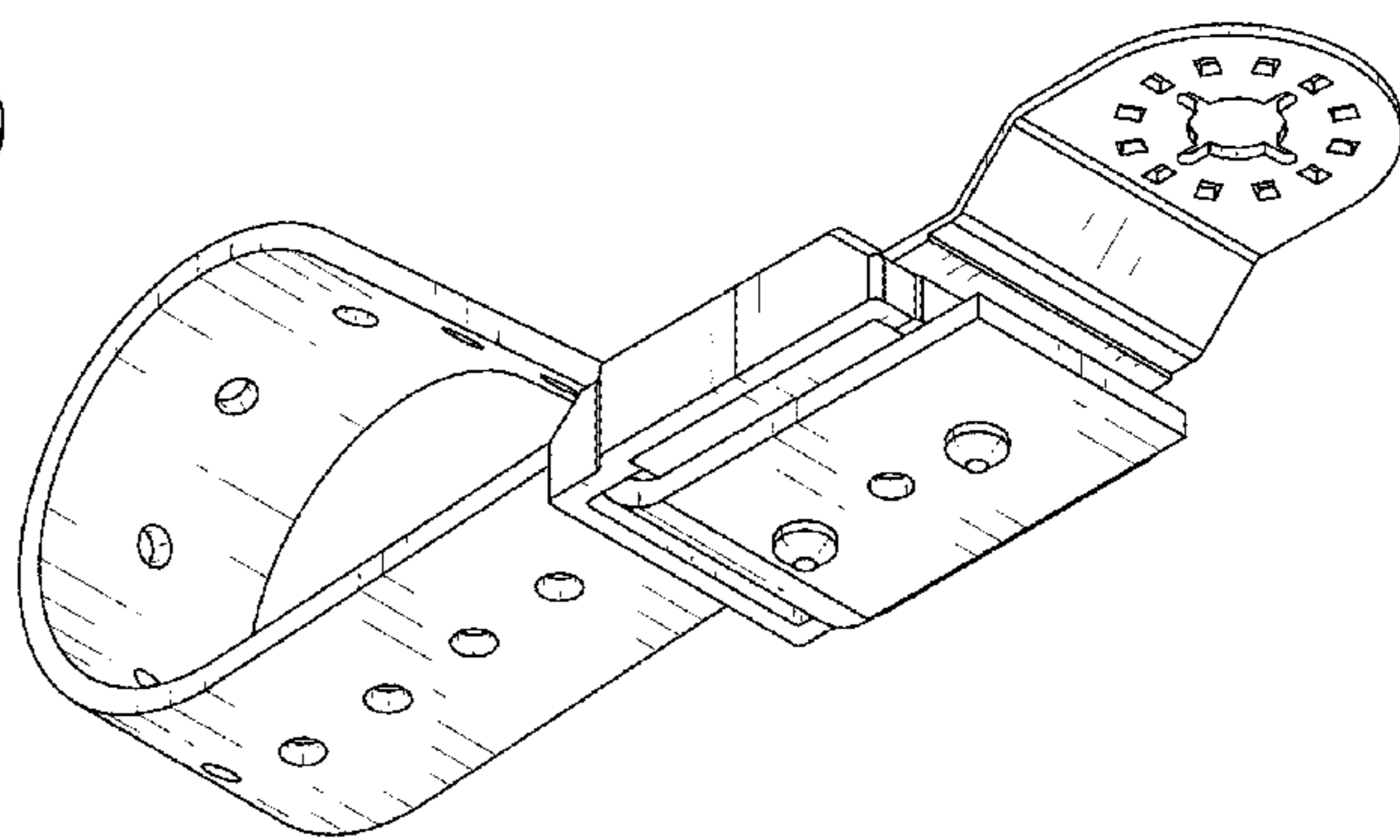
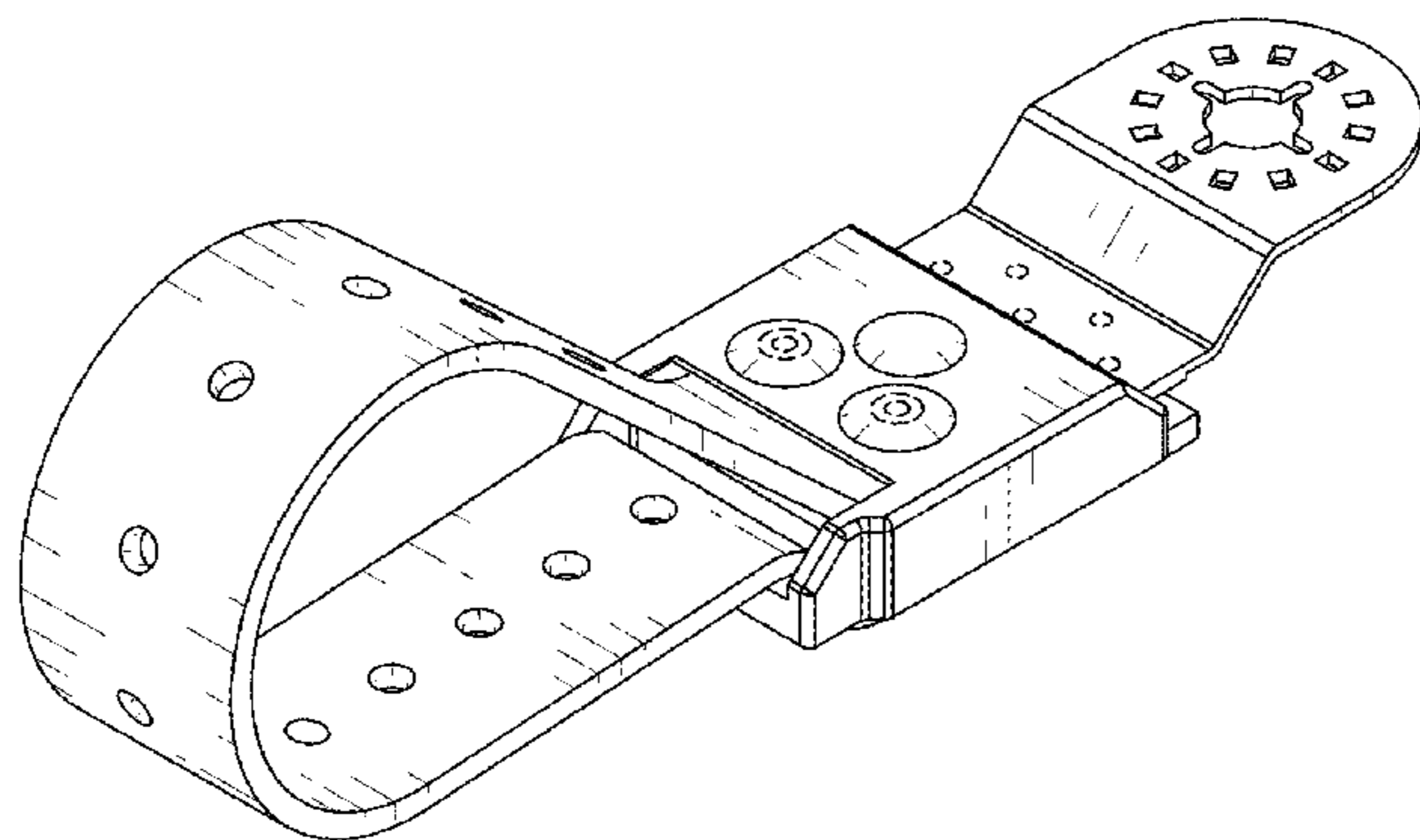
FIG. 6 is a right side elevational view thereof;

FIG. 7 is a top plan view thereof; and,

FIG. 8 is a bottom plan view thereof.

The broken lines depict portions of the sex toy that form no part of the claim.

1 Claim, 8 Drawing Sheets



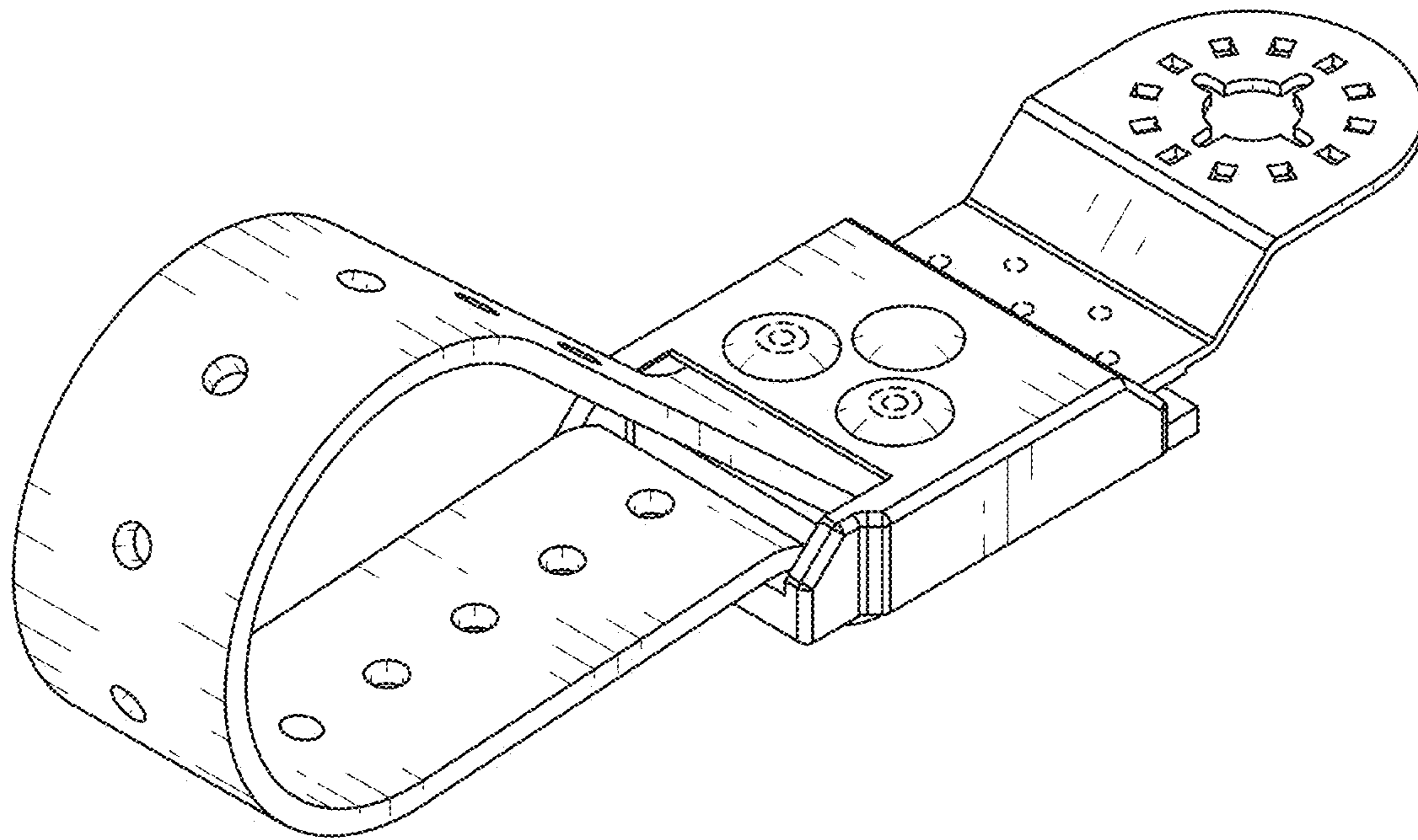


Fig. 1

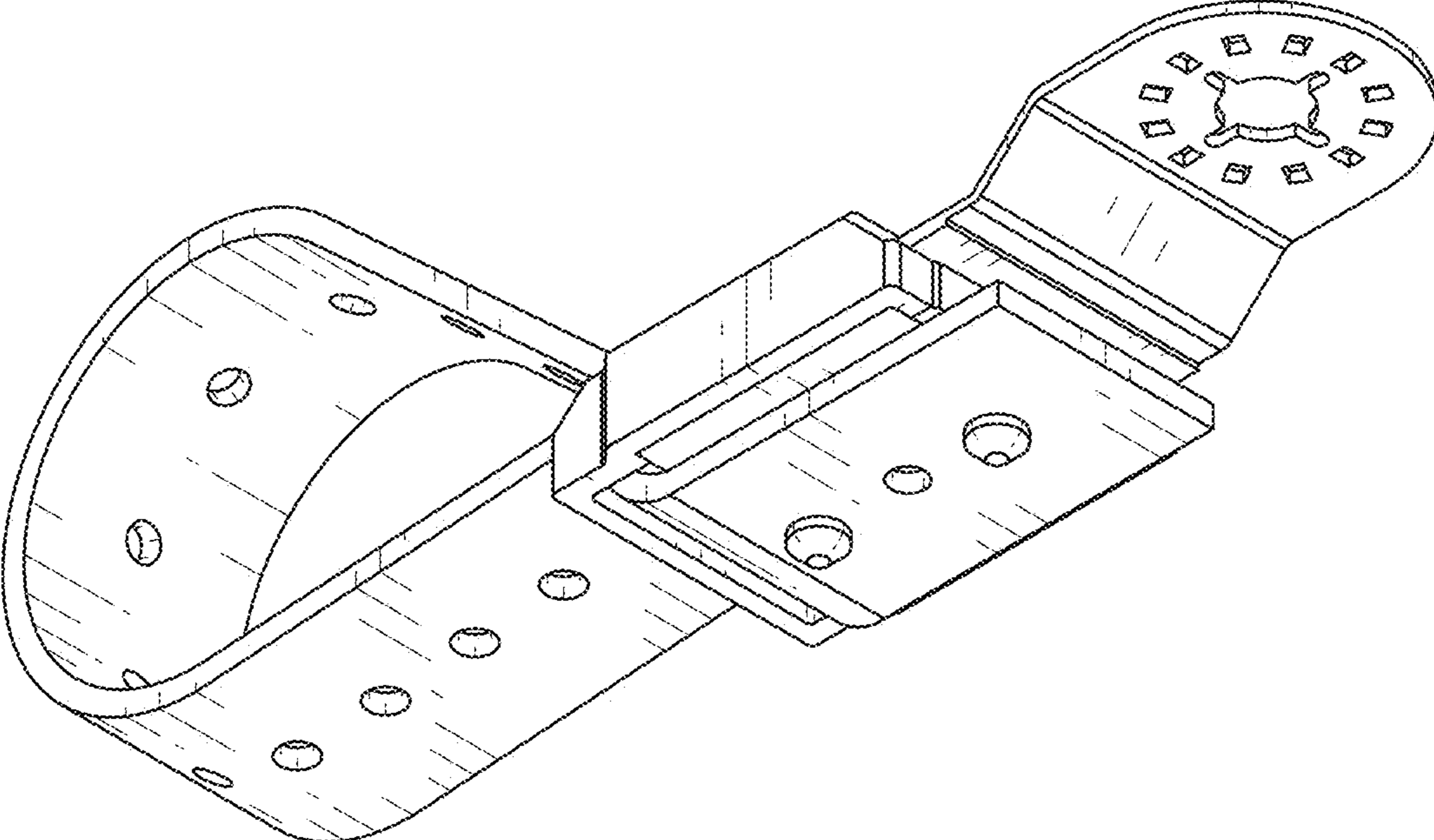


Fig. 2

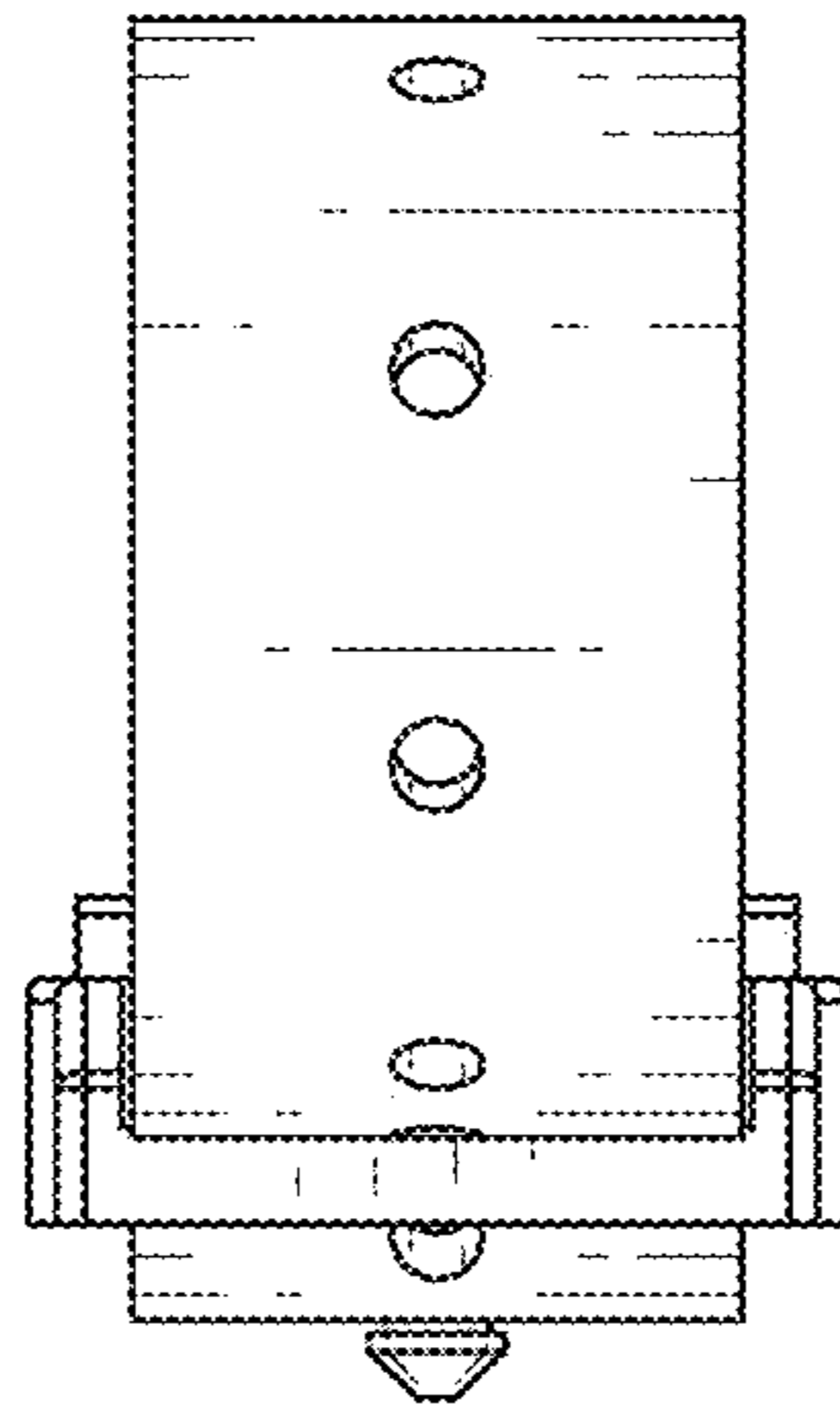


Fig. 3

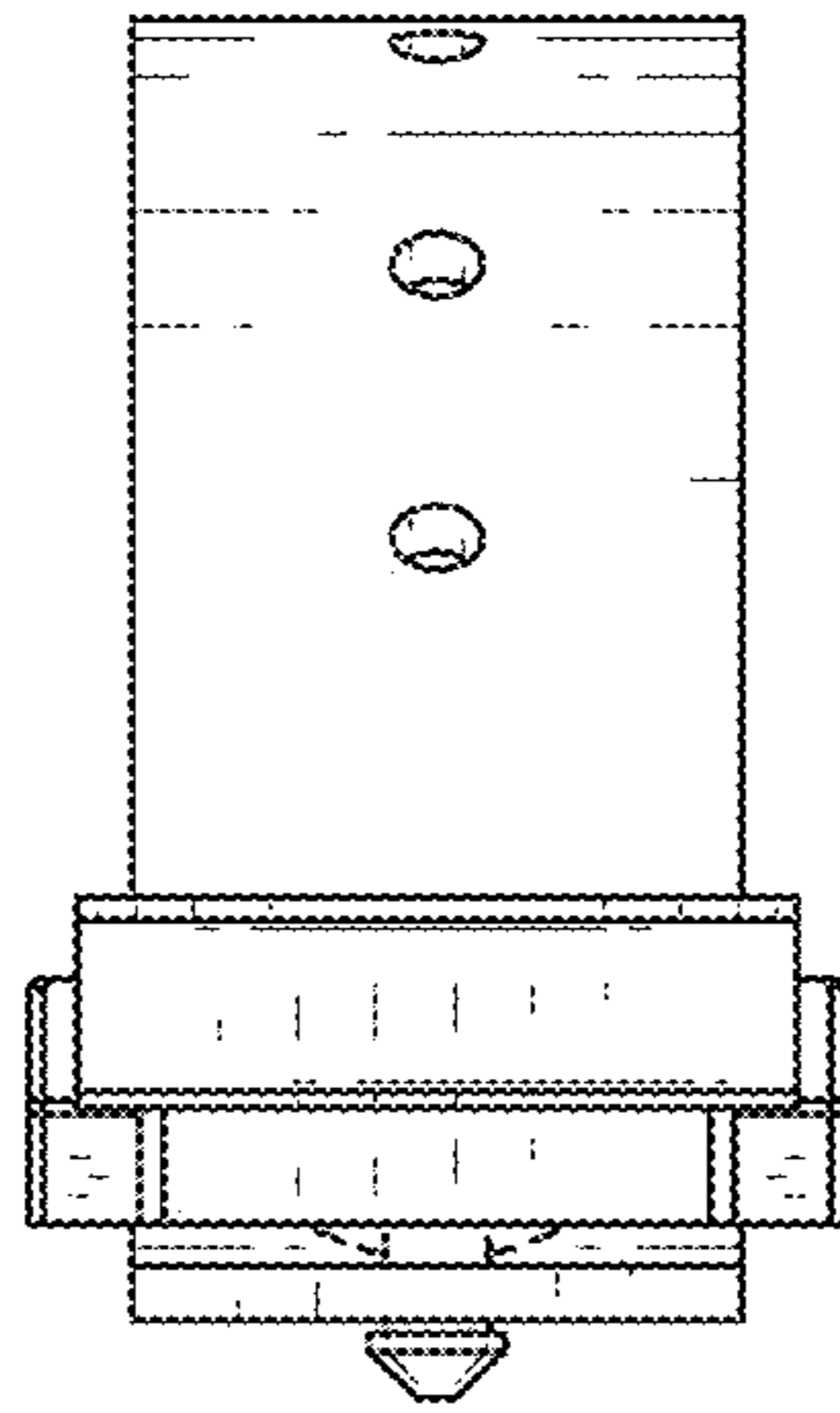


Fig. 4

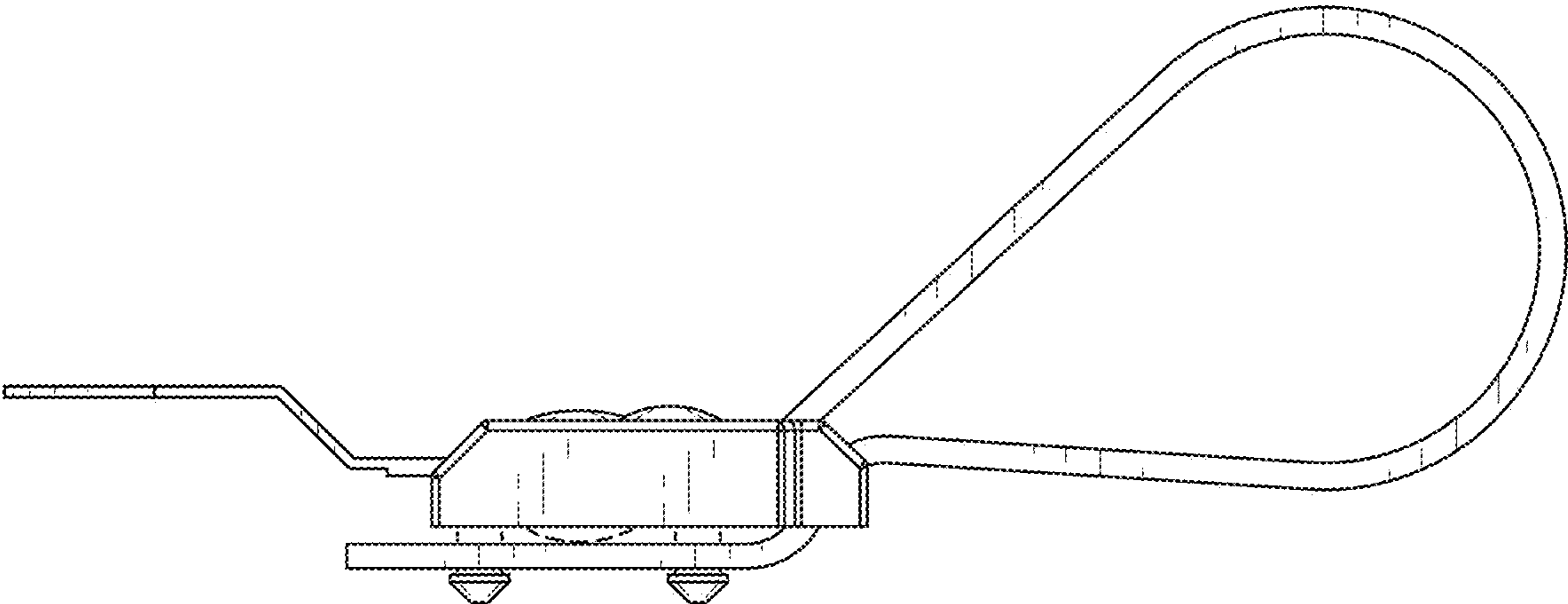


Fig. 5

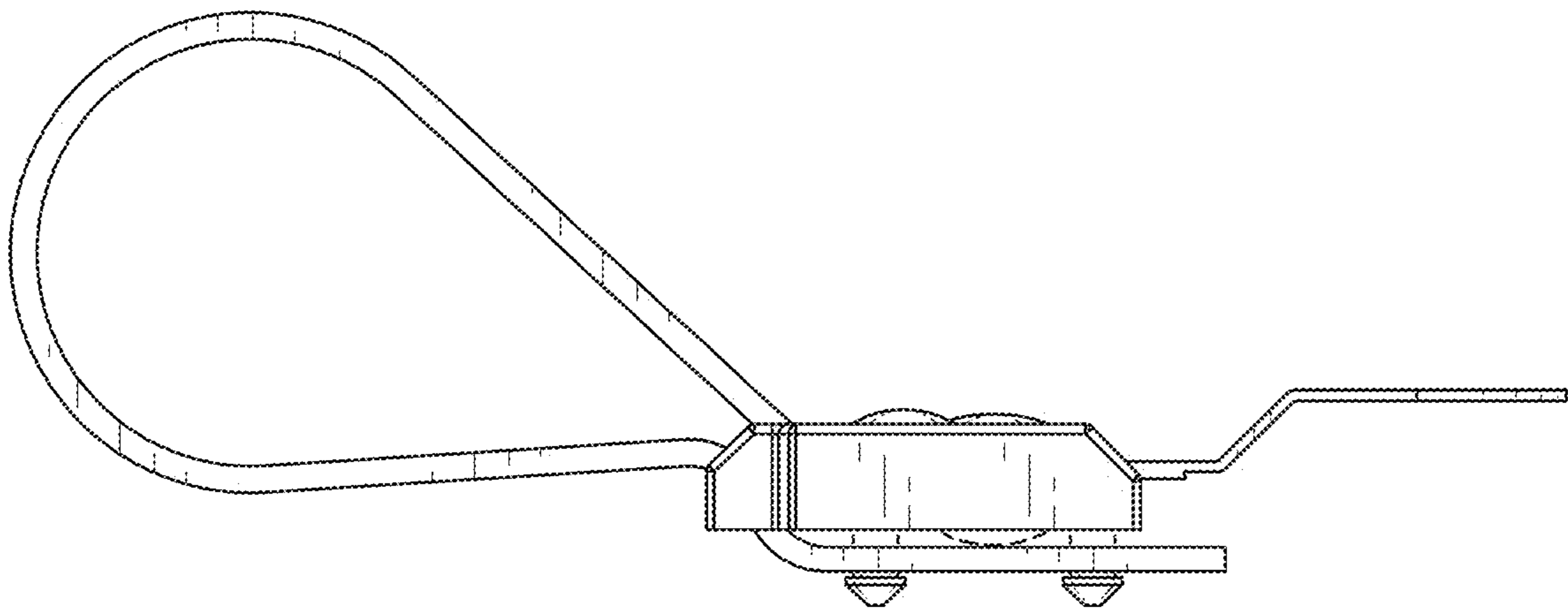


Fig. 6

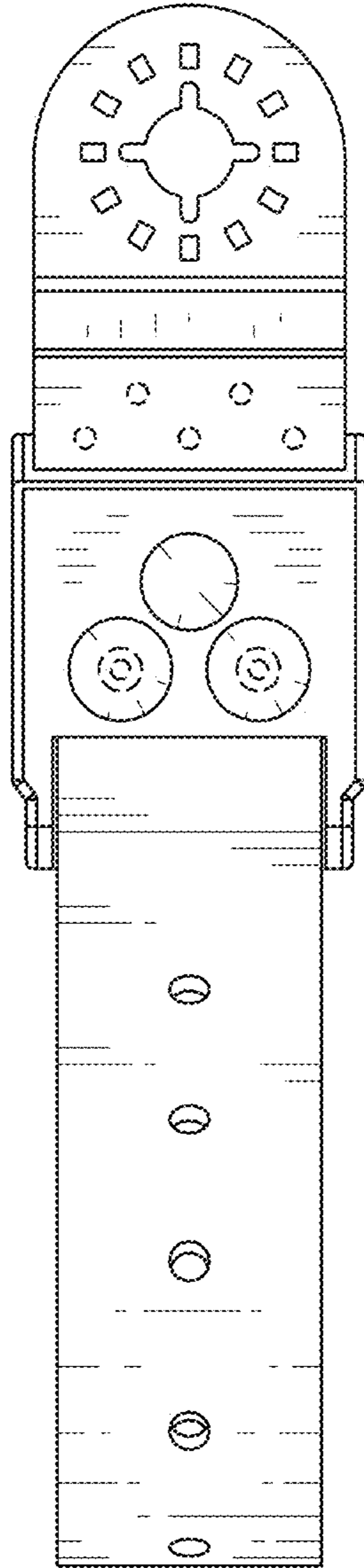


Fig. 7

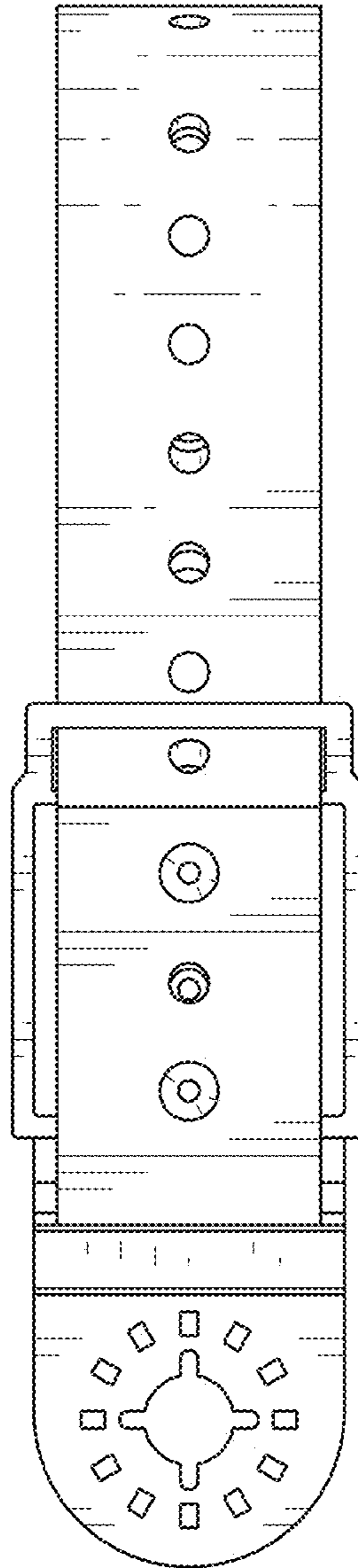


Fig. 8