



US00D895825S

(12) **United States Design Patent**
Jin

(10) **Patent No.:** **US D895,825 S**

(45) **Date of Patent:** **** Sep. 8, 2020**

(54) **COMEDO CLEANER**

(71) Applicant: **Shenzhen DJ Innovation Industry Co., Ltd, Shenzhen (CN)**

(72) Inventor: **Bo Jin, Shenzhen (CN)**

(**) Term: **15 Years**

(21) Appl. No.: **29/671,028**

(22) Filed: **Nov. 21, 2018**

(30) **Foreign Application Priority Data**

Sep. 21, 2018 (CN) 2018 30 535018.0

(51) **LOC (12) Cl.** **28-03**

(52) **U.S. Cl.**
USPC **D24/214**

(58) **Field of Classification Search**
USPC 601/19, 22, 40, 46, 52, 63, 99, 110–113,
601/118–120, 125, DIG. 12,
601/DIG. 14–DIG. 17; D24/133, 200,
D24/209, 211, 212, 213, 214, 215
CPC A61B 2017/00761; A61H 2205/022; A61H
2201/1215; A61H 2201/1253; A61H
23/0263; A61H 7/00

See application file for complete search history.

(56) **References Cited**

U.S. PATENT DOCUMENTS

D323,034 S * 1/1992 Reinstein D24/200
D538,430 S * 3/2007 Ohta D24/146
D540,947 S * 4/2007 Jung D24/200
D556,332 S * 11/2007 Han D24/200
D561,343 S * 2/2008 Liang D24/215
D637,309 S * 5/2011 Park D24/215
D652,523 S * 1/2012 Bradley A61H 7/005
D24/209
8,523,791 B2 * 9/2013 Castel A61F 7/00
601/15
D693,932 S * 11/2013 Nichols D24/214

D706,433 S * 6/2014 Fuhr D24/200
D736,399 S * 8/2015 Nichols D24/214
D738,516 S * 9/2015 Karim D24/200
D768,309 S * 10/2016 Hetzel D24/214
D768,310 S * 10/2016 Hetzel D24/214
D784,703 S * 4/2017 Grabes D4/102
D794,784 S * 8/2017 Bradley D24/133
D802,305 S * 11/2017 Grabes D4/102
D841,830 S * 2/2019 Hu D24/215
D848,013 S * 5/2019 Fuhner D24/215
D848,632 S * 5/2019 Fuhner D24/215
D857,911 S * 8/2019 Huang D24/215
D859,681 S * 9/2019 Tang D24/214
D861,181 S * 9/2019 Shen D24/214
D861,911 S * 10/2019 Fuhner D24/215
D862,717 S * 10/2019 Khubani D24/200
D862,721 S * 10/2019 Friend D24/214
D863,574 S * 10/2019 Yan D24/200
D865,209 S * 10/2019 Nichols D24/214

(Continued)

Primary Examiner — Cynthia Ramirez
Assistant Examiner — Michael A Maharajh
(74) *Attorney, Agent, or Firm* — HYIP

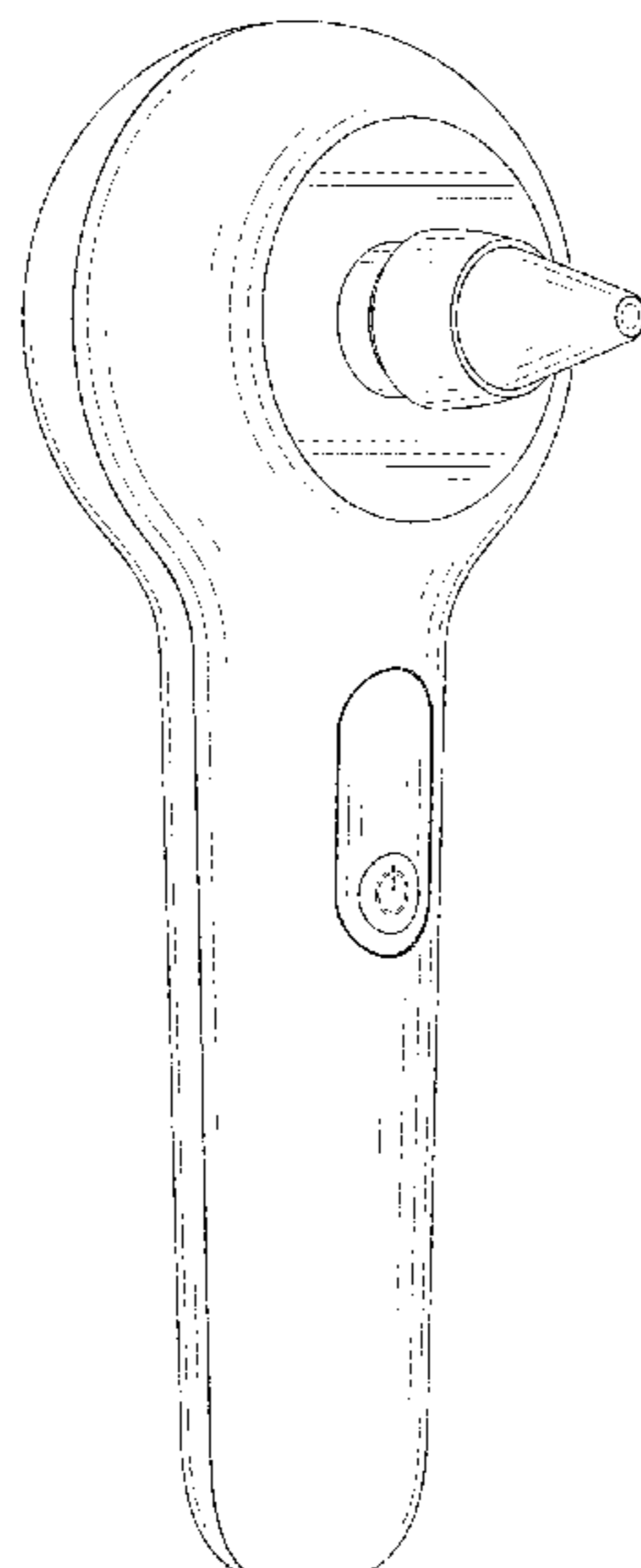
(57) **CLAIM**

The ornamental design for a comedo cleaner, as shown and described.

DESCRIPTION

FIG. 1 is a perspective view of a comedo cleaner.
FIG. 2 is a front view thereof;
FIG. 3 is a rear view thereof;
FIG. 4 is a left view thereof;
FIG. 5 is a right view thereof;
FIG. 6 is a top view thereof; and,
FIG. 7 is a bottom view thereof.
The broken lines shown in the figures are for the purpose of illustrating portions of the comedo cleaner, which form no part of the claimed design.

1 Claim, 7 Drawing Sheets



(56)

References Cited

U.S. PATENT DOCUMENTS

2004/0236254 A1* 11/2004 Nichols A61H 7/005
601/6
2012/0065555 A1* 3/2012 Chae A61H 23/0263
601/18
2013/0046212 A1* 2/2013 Nichols A46B 7/04
601/18
2014/0007362 A1* 1/2014 Park A46B 13/008
15/22.1
2015/0141884 A1* 5/2015 Thiebaut A61H 7/00
601/112
2015/0305969 A1* 10/2015 Giraud A61H 7/005
601/18

* cited by examiner

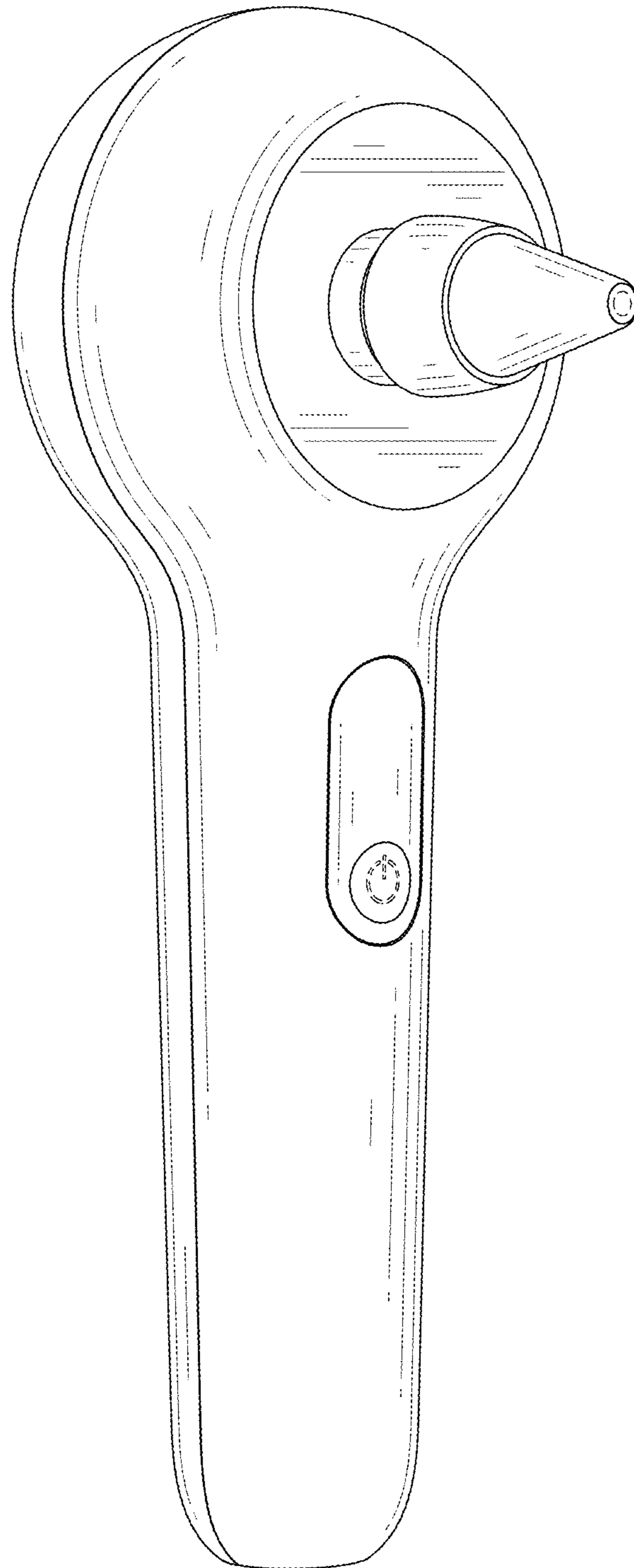


FIG. 1

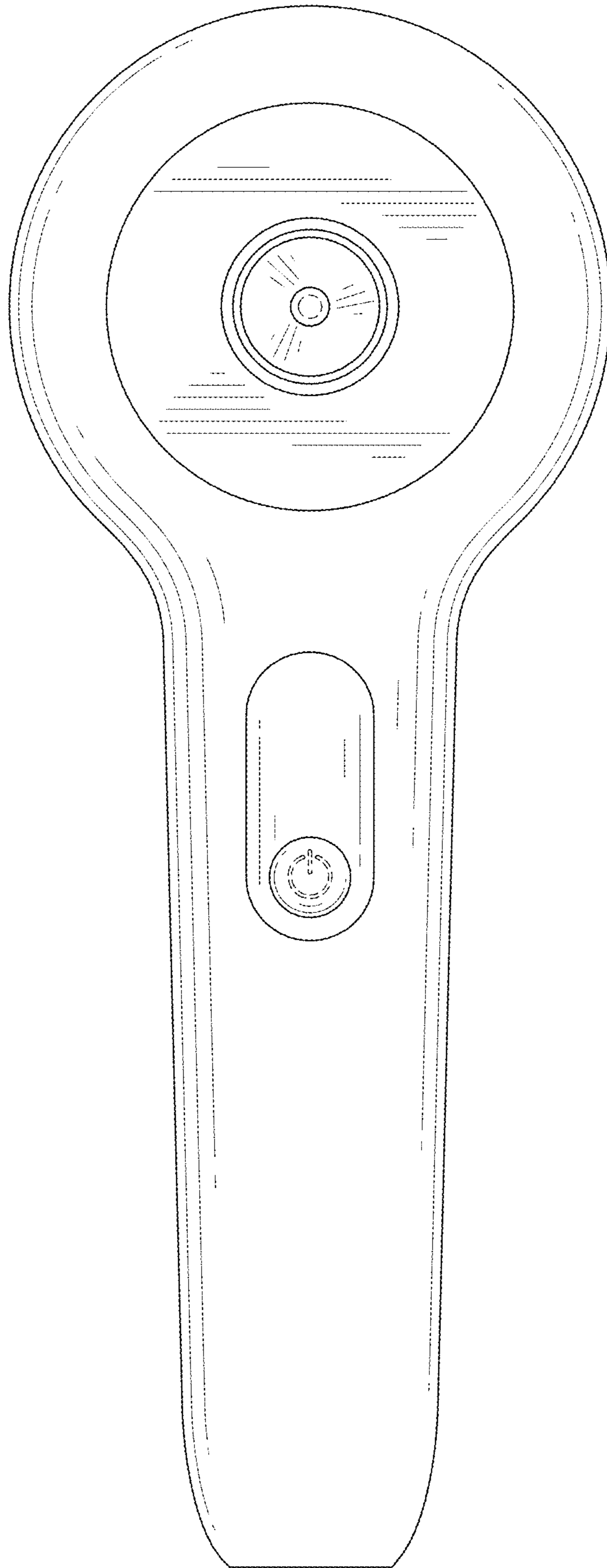


FIG. 2

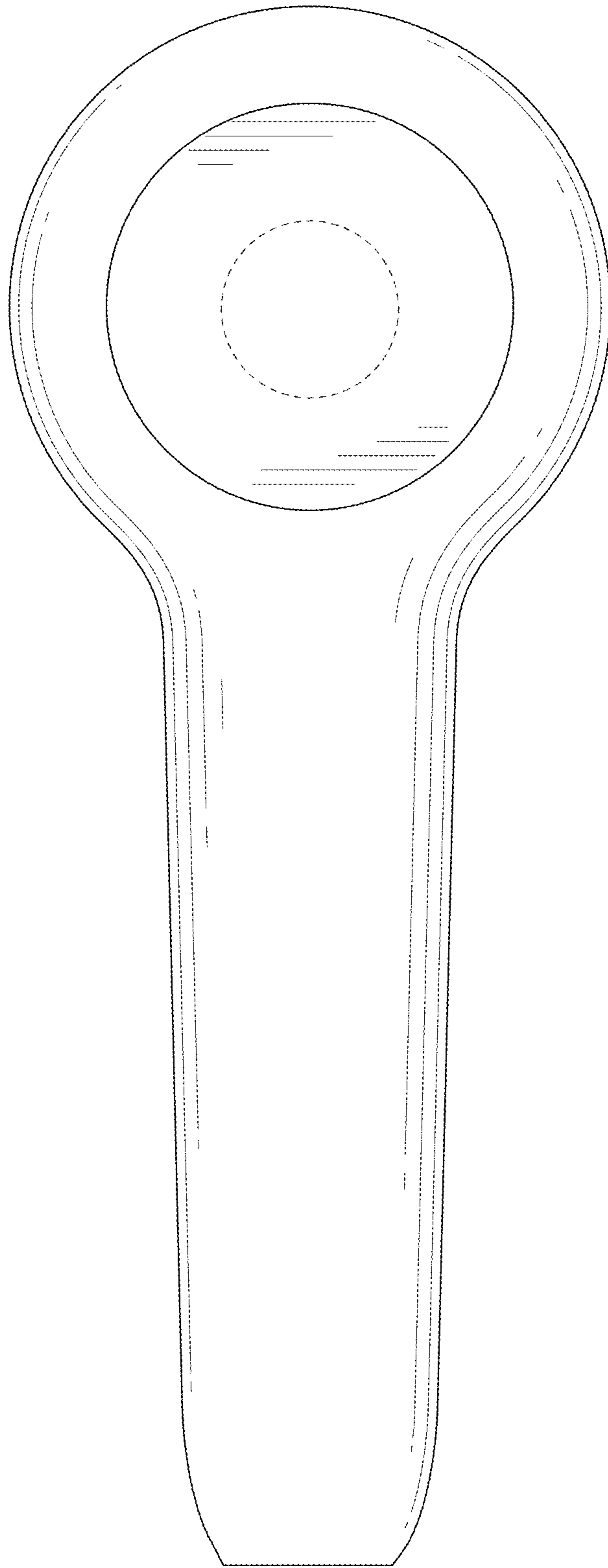


FIG. 3

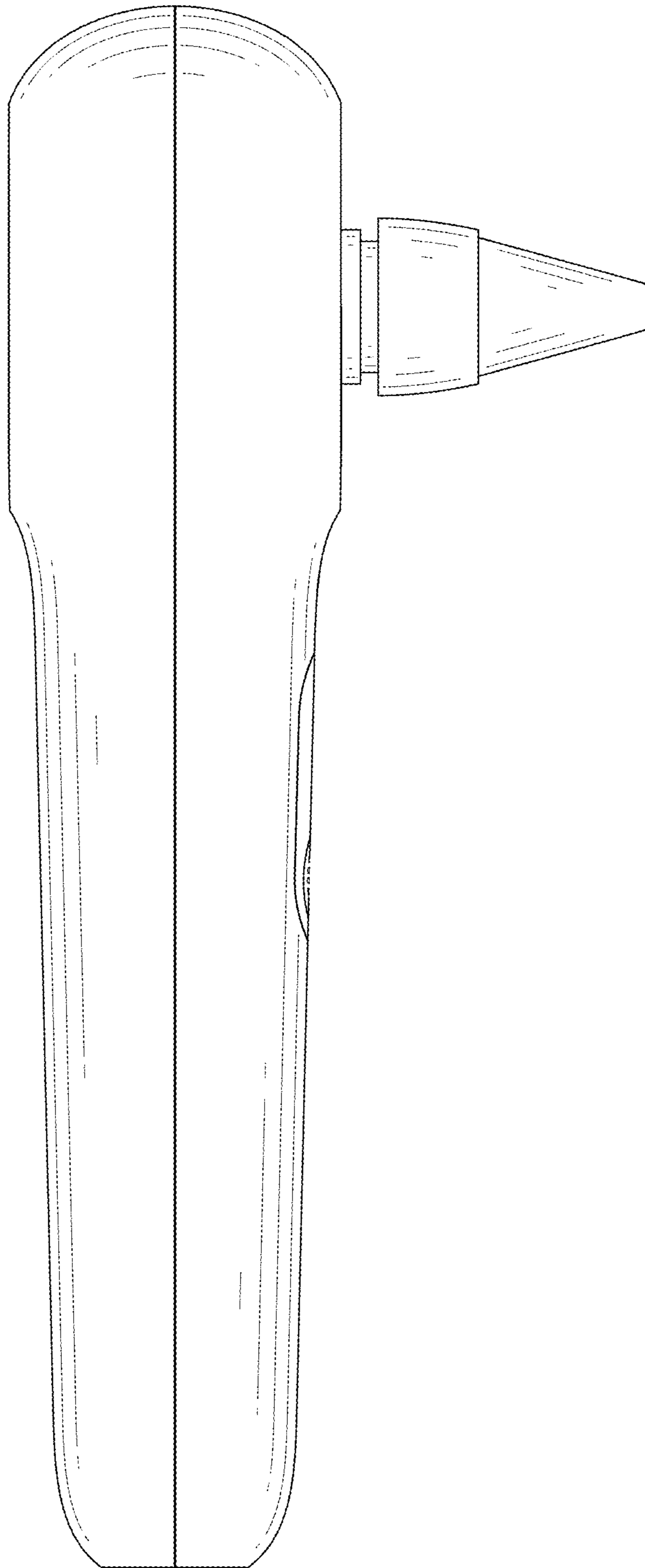


FIG. 4

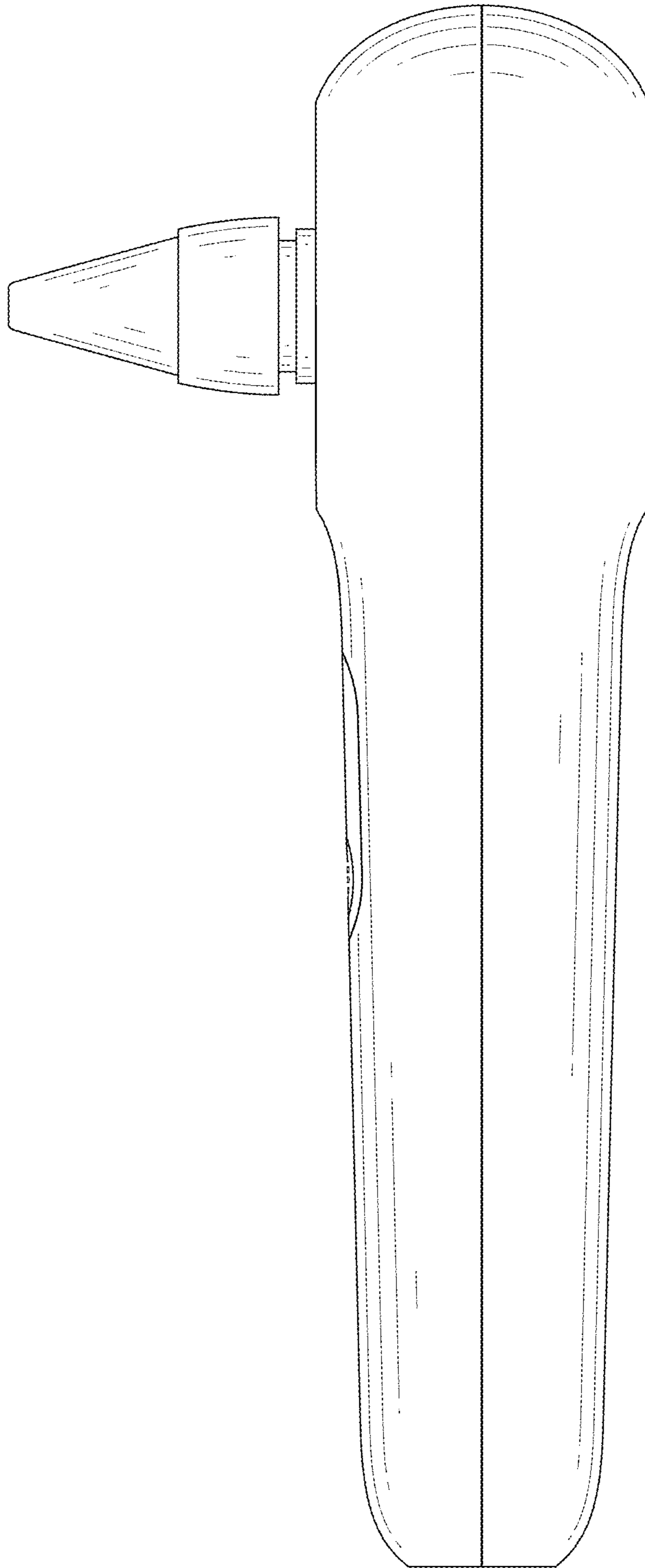


FIG. 5

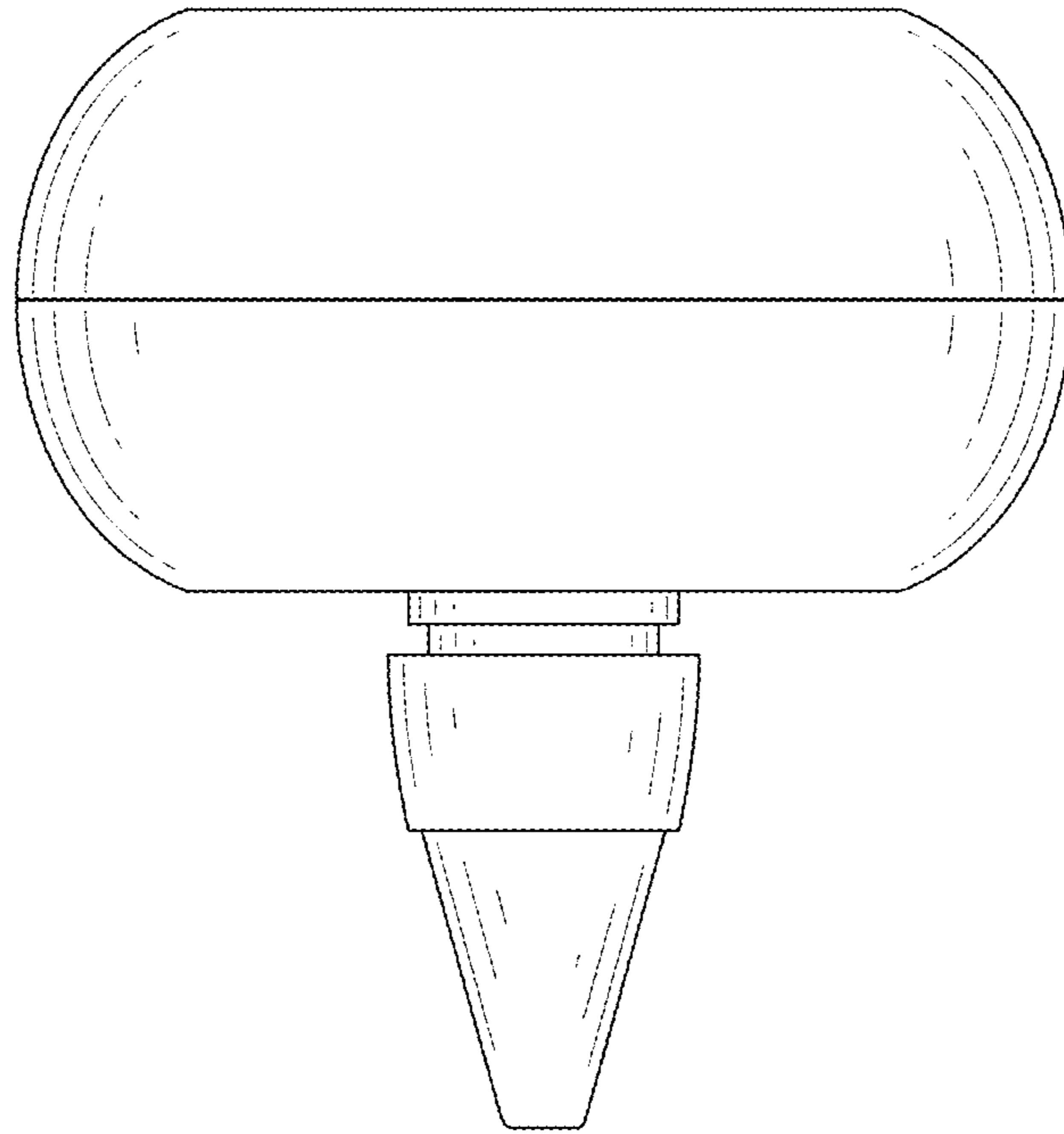


FIG. 6

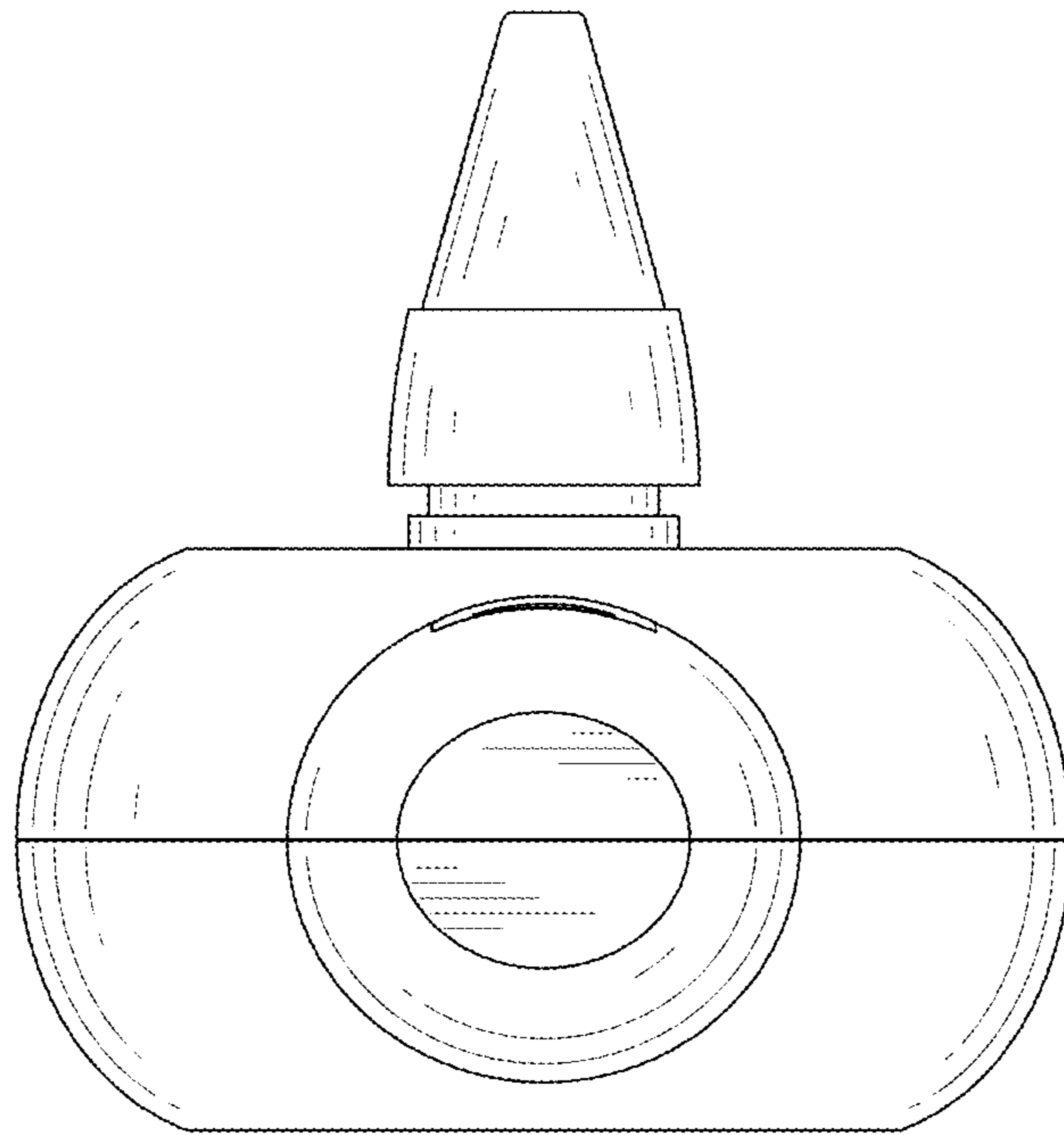


FIG. 7