

US00D895824S

(12) **United States Design Patent** (10) **Patent No.:** **US D895,824 S**
Nelson (45) **Date of Patent:** **** Sep. 8, 2020**

(54) **BODY ROLLER** D713,050 S * 9/2014 Kao A61H 15/00
D24/211
(71) Applicant: **Roll Recovery, LLC**, Boulder, CO D736,398 S * 8/2015 Kwon D24/211
(US) D737,456 S * 8/2015 McDonough A61H 15/0092
D24/211
(72) Inventor: **Jeremy J. Nelson**, Longmont, CO (US) D744,112 S * 11/2015 Phillips D24/211
D749,233 S * 2/2016 Phillips A61H 15/0092
D24/211
(73) Assignee: **Roll Recovery, LLC**, Boulder, CO D751,724 S * 3/2016 Nelson D24/211
(US) D764,066 S * 8/2016 Somjee D24/211
(Continued)

(**) Term: **15 Years**

(21) Appl. No.: **29/688,031**

(22) Filed: **Apr. 17, 2019**

(51) **LOC (12) Cl.** **28-03**

(52) **U.S. Cl.**
USPC **D24/211**

(58) **Field of Classification Search**
USPC D24/200, 211, 212, 213, 214, 215;
D30/160; D12/114, 178; D8/303
CPC A61H 15/00; A61H 2015/0028; A61H
2015/0064; A61H 7/001
See application file for complete search history.

(56) **References Cited**

U.S. PATENT DOCUMENTS

D253,373 S *	11/1979	Celeste	601/121
D274,649 S *	7/1984	Shiu	D24/212
D279,406 S *	6/1985	Shiu	D24/211
D333,937 S *	3/1993	Prosser	D30/160
D337,859 S *	7/1993	Rommerdale	D28/62
D344,161 S *	2/1994	Markham	D30/160
D349,786 S *	8/1994	Markham	D30/160
D361,132 S *	8/1995	Lee	D24/200
D417,319 S *	11/1999	Weiss, Jr.	D30/119
D494,735 S *	8/2004	Dahl	D1/125
D567,952 S *	4/2008	Fink	D24/200
D660,450 S *	5/2012	Johnson	D24/215
D689,155 S *	9/2013	Jahns	D21/692
D693,934 S *	11/2013	Lin	D24/215
D700,709 S *	3/2014	Khodabakhshian	D24/211
D708,754 S *	7/2014	Harangvolgyi	D24/211

OTHER PUBLICATIONS

Youtube, "Introducing the R4 Body Roller", Feb. 10, 2020. <https://www.youtube.com/watch?v=CBOJV4OzuMs>. Shown at the 0: 09 mark. (Year: 2020).*

(Continued)

Primary Examiner — Cynthia Ramirez
Assistant Examiner — Michael A Maharajh
(74) *Attorney, Agent, or Firm* — Craig R. Miles

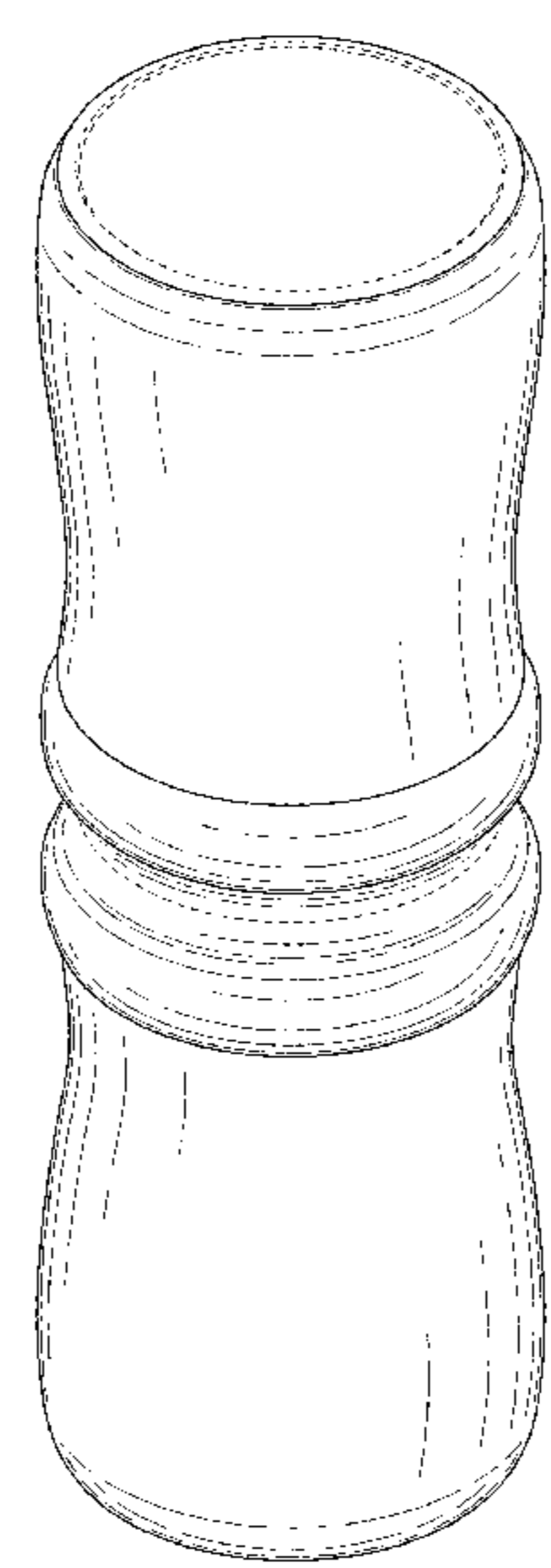
(57) **CLAIM**

The ornamental design for a body roller, as shown and described.

DESCRIPTION

FIG. 1 is a perspective view of a body roller, showing my new design;
FIG. 2 is a side elevation view thereof;
FIG. 3 is another side elevation view thereof;
FIG. 4 is a front elevation view thereof;
FIG. 5 is a back elevation view thereof;
FIG. 6 is a top view thereof; and,
FIG. 7 is a bottom view thereof.
The broken lines in the drawings are for the purpose of illustrating portions of the body roller, which form no part of the claimed design.

1 Claim, 4 Drawing Sheets



(56)

References Cited

U.S. PATENT DOCUMENTS

D767,781 S * 9/2016 Gong D24/215
D785,103 S * 4/2017 Townsend D21/662
D788,313 S * 5/2017 Lawrie D24/211
D800,330 S * 10/2017 Loos A61H 15/00
D24/211
D805,649 S * 12/2017 Mizelle D24/211
D829,920 S * 10/2018 Carpinelli D24/211
D833,026 S * 11/2018 Khodabakhshian D24/211
D833,027 S * 11/2018 Viner D24/211
D833,635 S * 11/2018 Chen D24/214
D842,486 S * 3/2019 Kaoru D24/211
D845,498 S * 4/2019 Johnson D24/211
D863,579 S * 10/2019 Wang D24/211
D863,583 S * 10/2019 Carpinello D24/213
D867,100 S * 11/2019 Papafagos D8/303
D871,685 S * 12/2019 McMillan D30/160
D872,387 S * 1/2020 Crane D30/160
D875,962 S * 2/2020 Spratt D24/215
D876,657 S * 2/2020 Lin D24/211
D878,618 S * 3/2020 Kafker D24/211
D882,805 S * 4/2020 Lien D24/211
D884,804 S * 5/2020 Ross D21/662
D886,314 S * 6/2020 Morris D24/211
D886,315 S * 6/2020 Hicken D24/211
D887,094 S * 6/2020 Ruan D30/160
2017/0042756 A1 * 2/2017 Nelson A61H 15/00
2017/0065482 A1 * 3/2017 Downare A61H 15/00
2018/0353370 A1 * 12/2018 Liao A61H 1/00

OTHER PUBLICATIONS

Triggerpoint, Grid® Foam Roller. Website, <https://triggerpoint.impuls.com/product/grid-foam-roller>, originally downloaded May 10, 2019, 6 pages.

* cited by examiner

FIG. 1

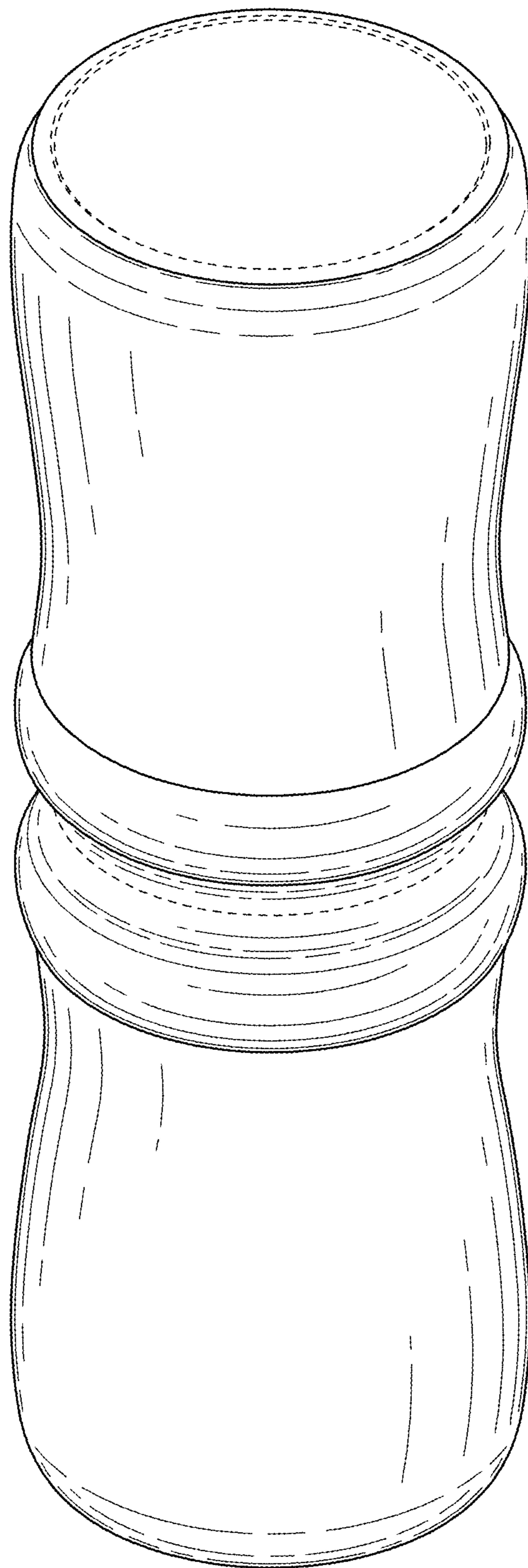


FIG. 2

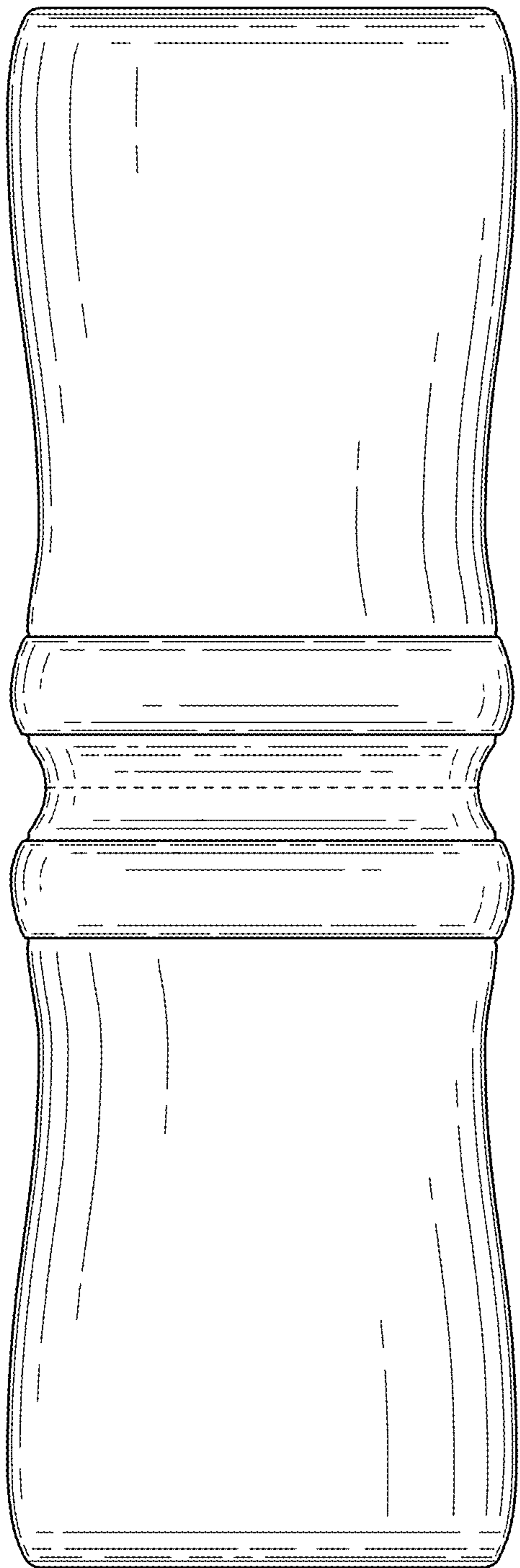


FIG. 3

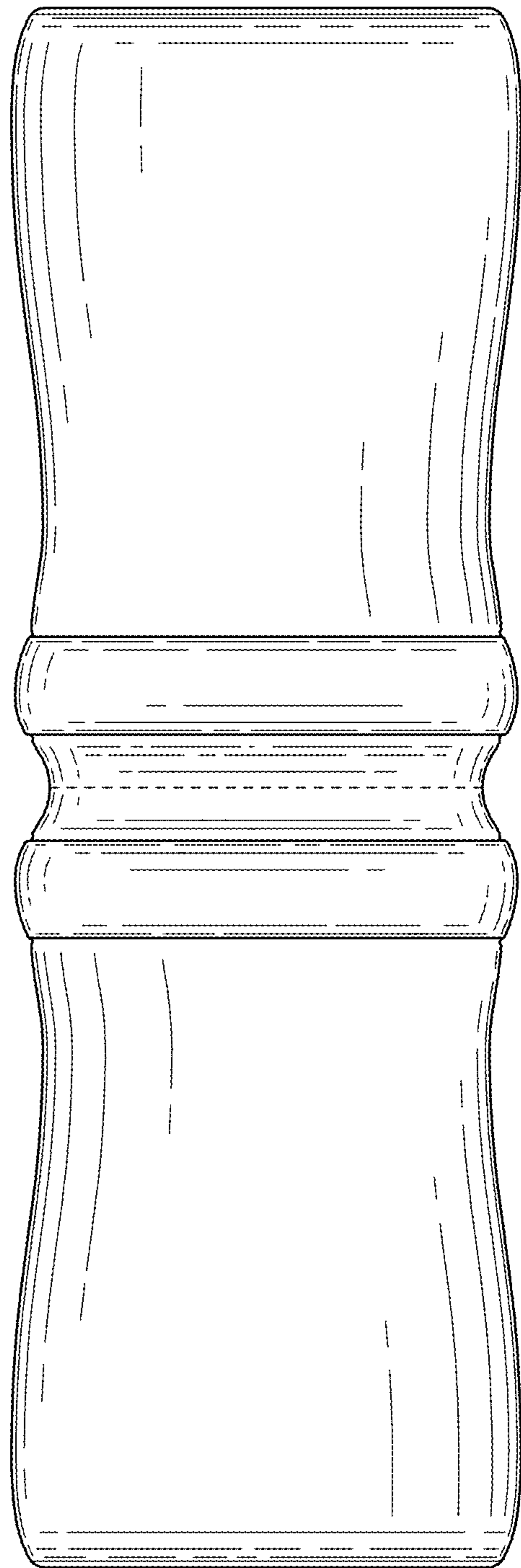


FIG. 4

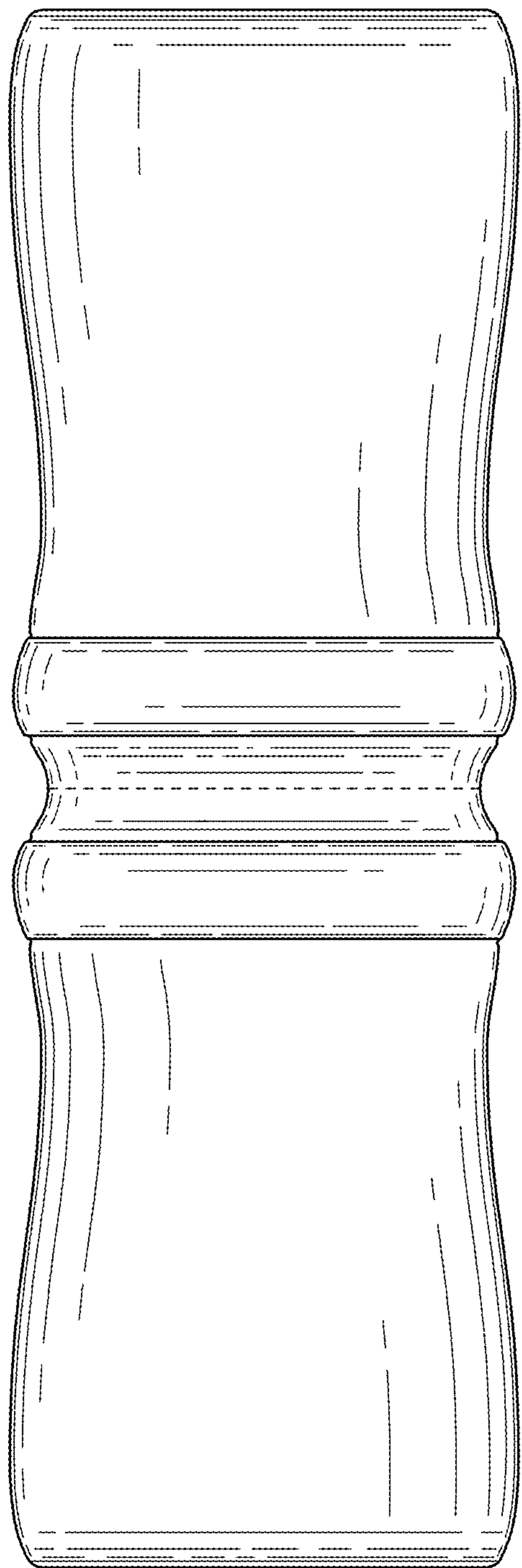


FIG. 5

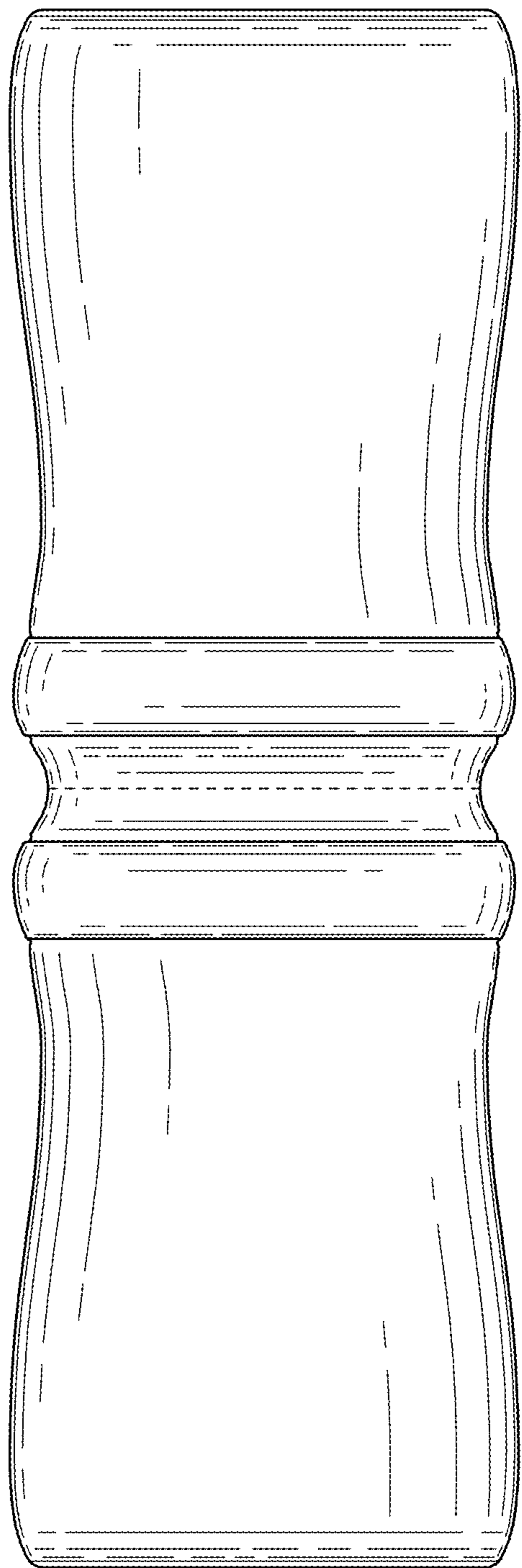


FIG. 6

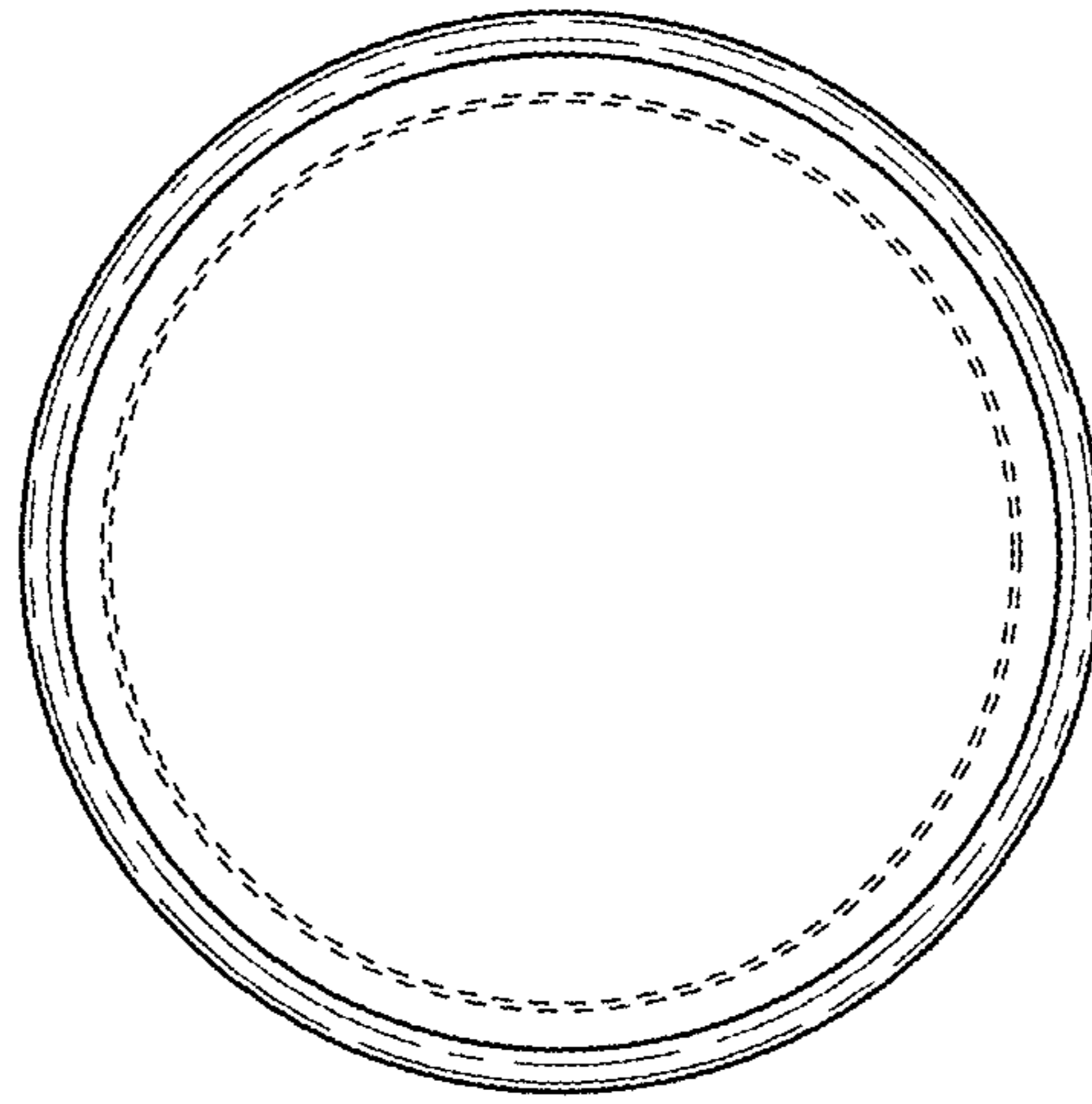


FIG. 7

