



US00D895821S

(12) **United States Design Patent** (10) **Patent No.:** **US D895,821 S**
Lin (45) **Date of Patent:** **** Sep. 8, 2020**

(54) **COVER ADAPTED FOR WAX WARMER**

D661,160 S * 6/2012 Shah D7/538
D838,859 S 1/2019 Yu
D857,215 S * 8/2019 Lin D24/200

(71) Applicant: **Chengwei Lin**, Tainan (CN)

(72) Inventor: **Chengwei Lin**, Tainan (CN)

(**) Term: **15 Years**

(21) Appl. No.: **29/704,463**

(22) Filed: **Sep. 5, 2019**

(51) **LOC (12) Cl.** **28-03**

(52) **U.S. Cl.**
USPC **D24/200**

(58) **Field of Classification Search**
USPC D24/200, 121; D7/323, 354, 391, 538,
D7/629; D9/435, 503, 780; 607/96,
607/108-109

CPC A61F 7/00; A61F 2007/0001; A61F
2007/0003; A61F 2007/0007; A61F
2007/0024; A61F 2007/0029; A61F
2007/0031; A61F 2007/0034; A61F
2007/0039; A61F 2007/0041; A61F
2007/0043; A47J 36/06; F27B 14/12

See application file for complete search history.

(56) **References Cited**

U.S. PATENT DOCUMENTS

D440,662 S * 4/2001 Ferber D24/200
D441,455 S * 5/2001 Feer D24/200
D479,951 S * 9/2003 Segura D7/629
6,756,567 B1 * 6/2004 Suen F27B 17/00
219/424
D630,475 S * 1/2011 Lu D7/629

OTHER PUBLICATIONS

Wax Warmer—Boho Vibe. Retrieved on Nov. 6, 2019. Retrieved from the Internet: <https://bohovibe.co/products/wax-heater?variant=35366534545>.*

* cited by examiner

Primary Examiner — Wan Laymon

(74) *Attorney, Agent, or Firm* — KA Filing LLC; Wayne V. Harper; Cynthia Flanigan

(57) **CLAIM**

I claim the ornamental design for a cover adapted for wax warmer, as shown and described.

DESCRIPTION

FIG. 1 is a Perspective view of a cover adapted for wax warmer showing my new design;

FIG. 2 is a Front view of the cover adapted for wax warmer as shown in FIG. 1;

FIG. 3 is a Back view of the cover adapted for wax warmer as shown in FIG. 1;

FIG. 4 is a Right-side view of the cover adapted for wax warmer as shown in FIG. 1;

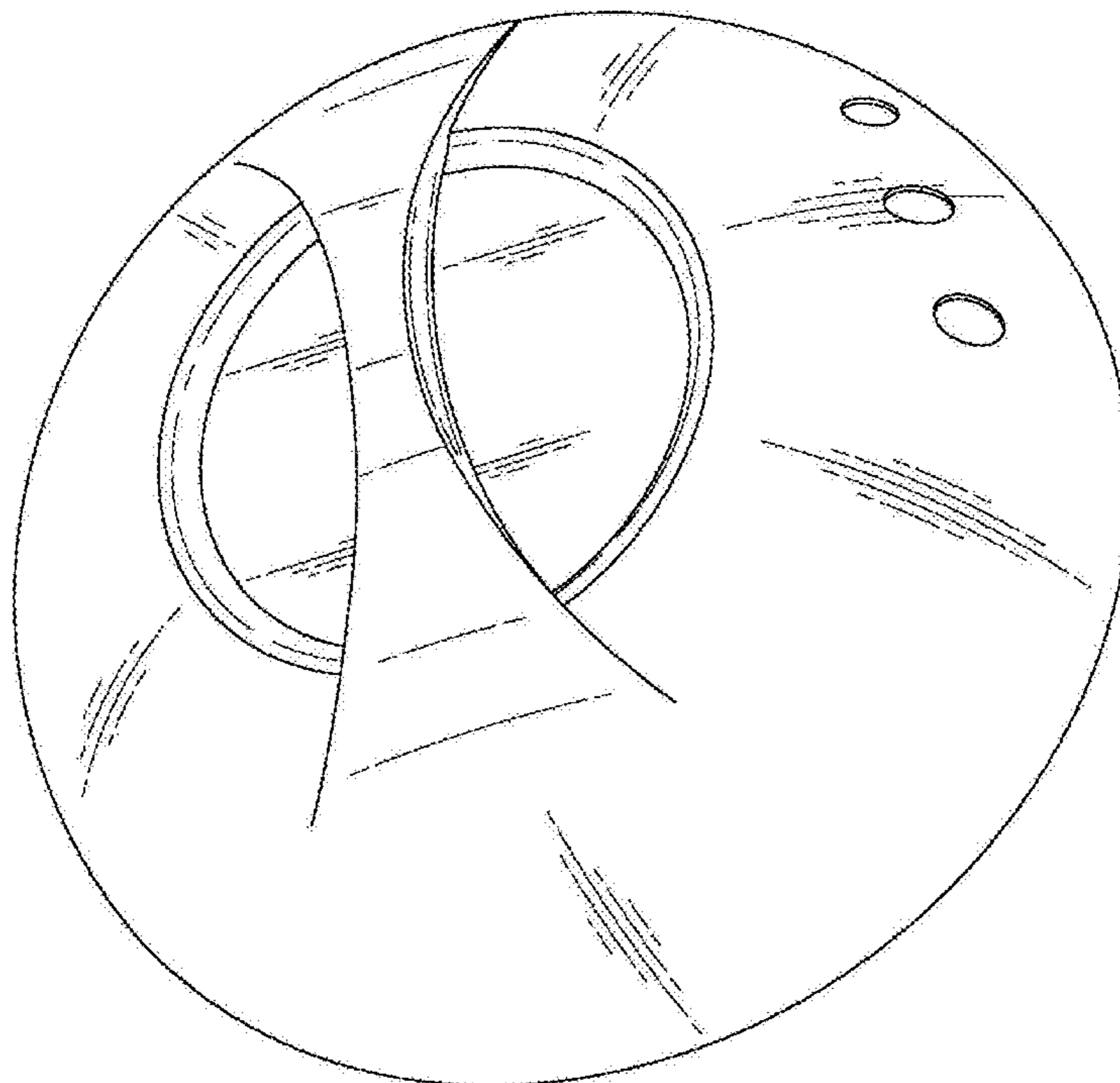
FIG. 5 is a left-side view of the cover adapted for wax warmer as shown in FIG. 1;

FIG. 6 is a Top view of the cover adapted for wax warmer as shown in FIG. 1; and,

FIG. 7 is Bottom view of the cover adapted for wax warmer as shown in FIG. 1.

The broken lines are only for environmental purposes and form no part of the claimed design.

1 Claim, 7 Drawing Sheets



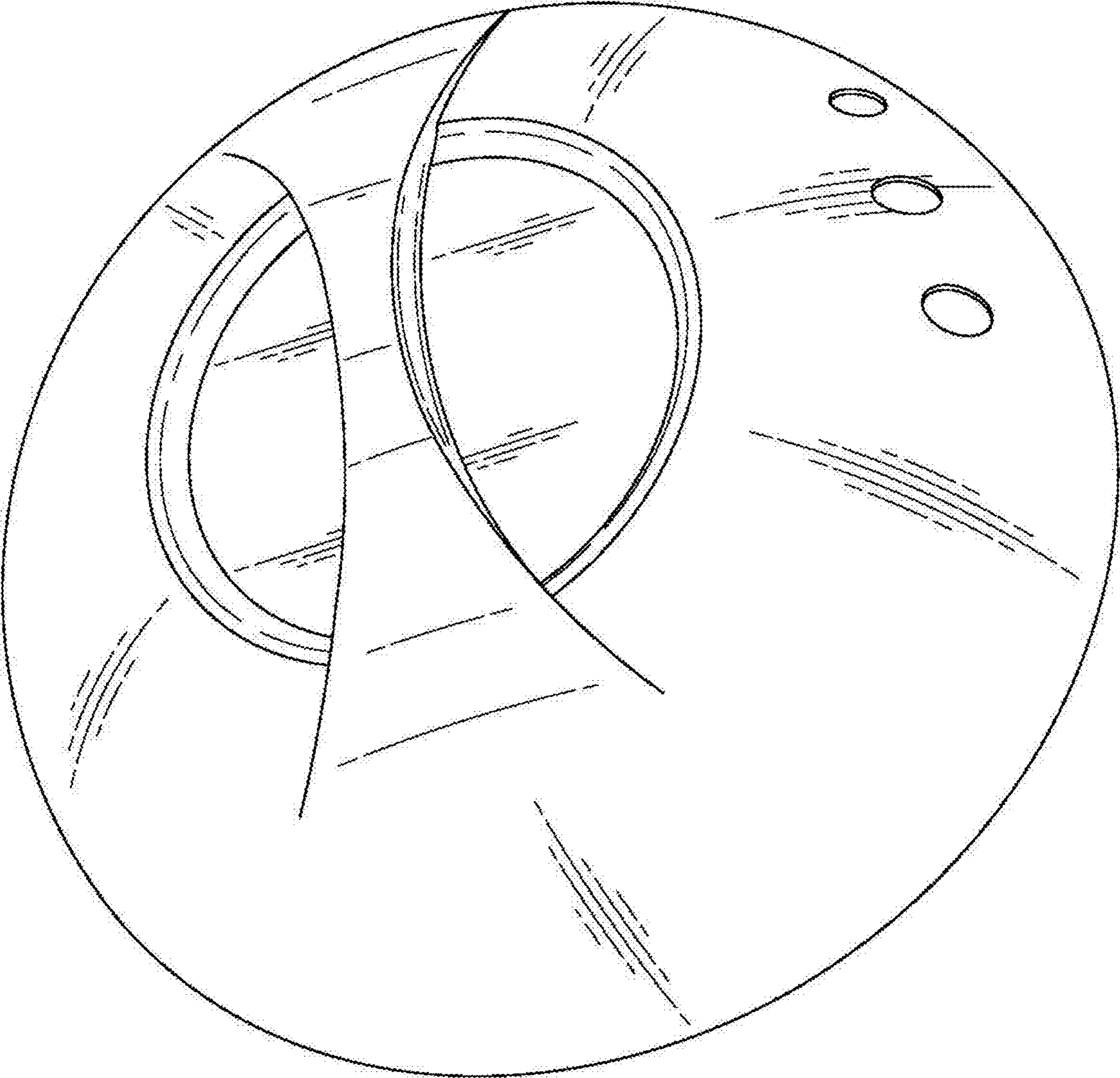


FIG. 1

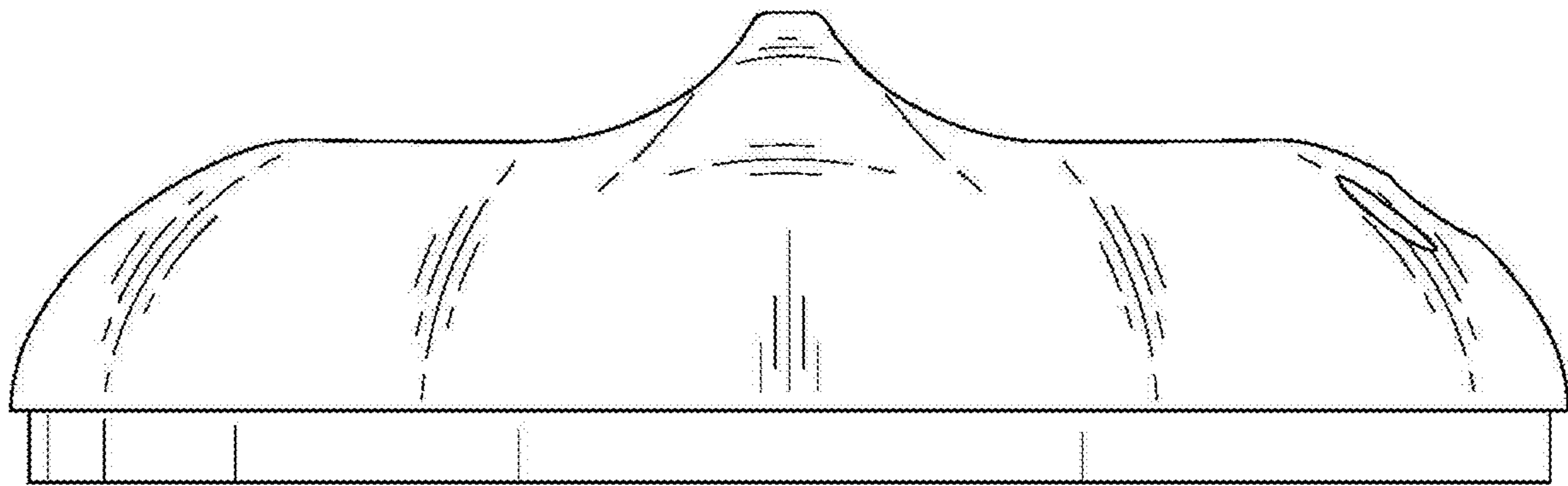


FIG. 2

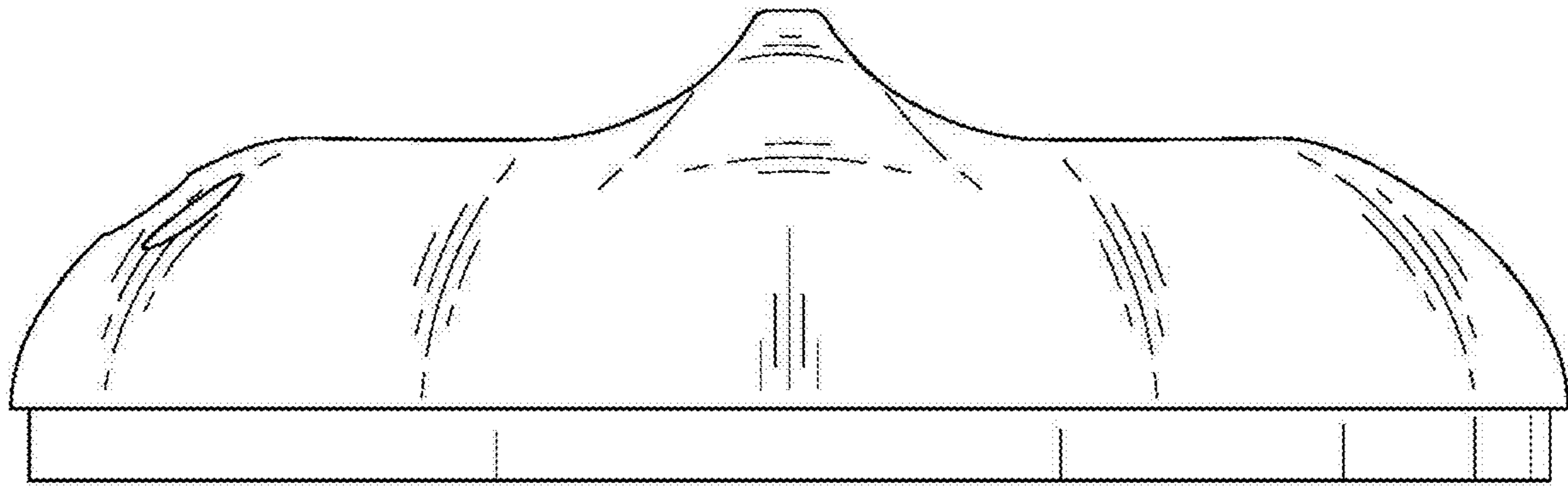


FIG. 3

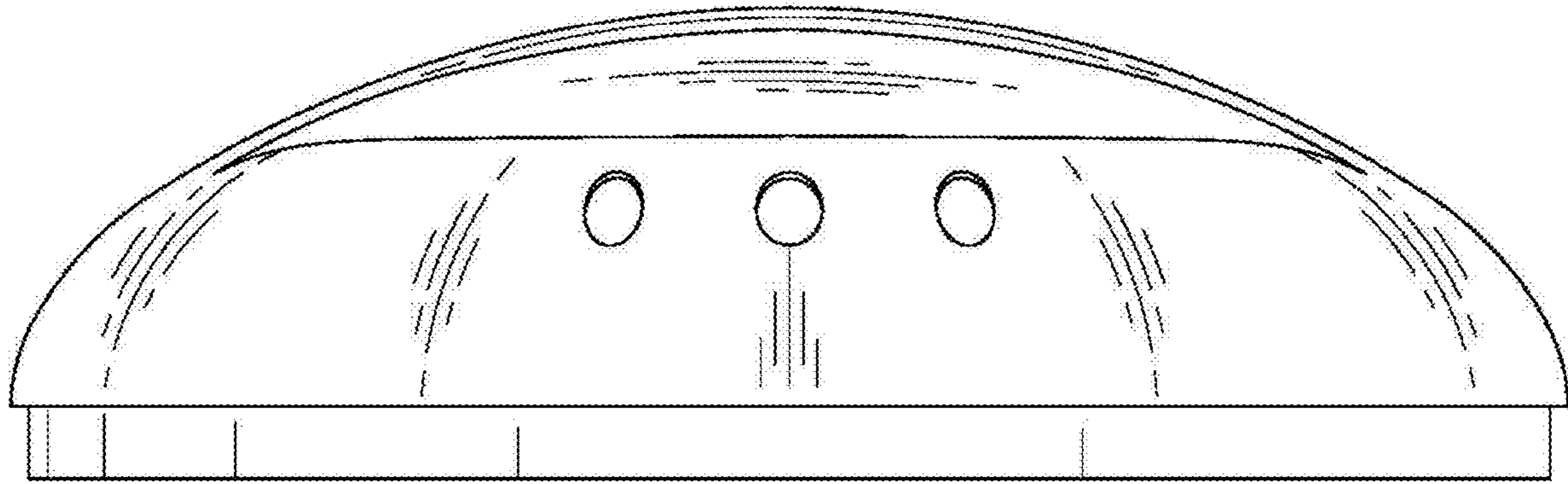


FIG. 4

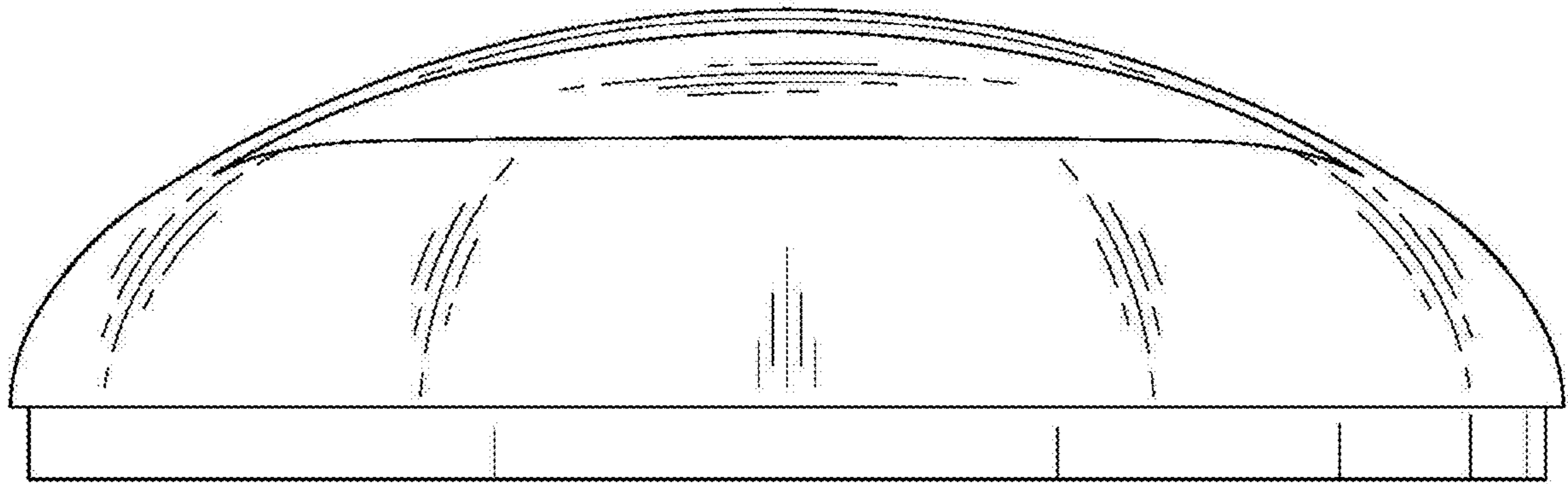


FIG. 5

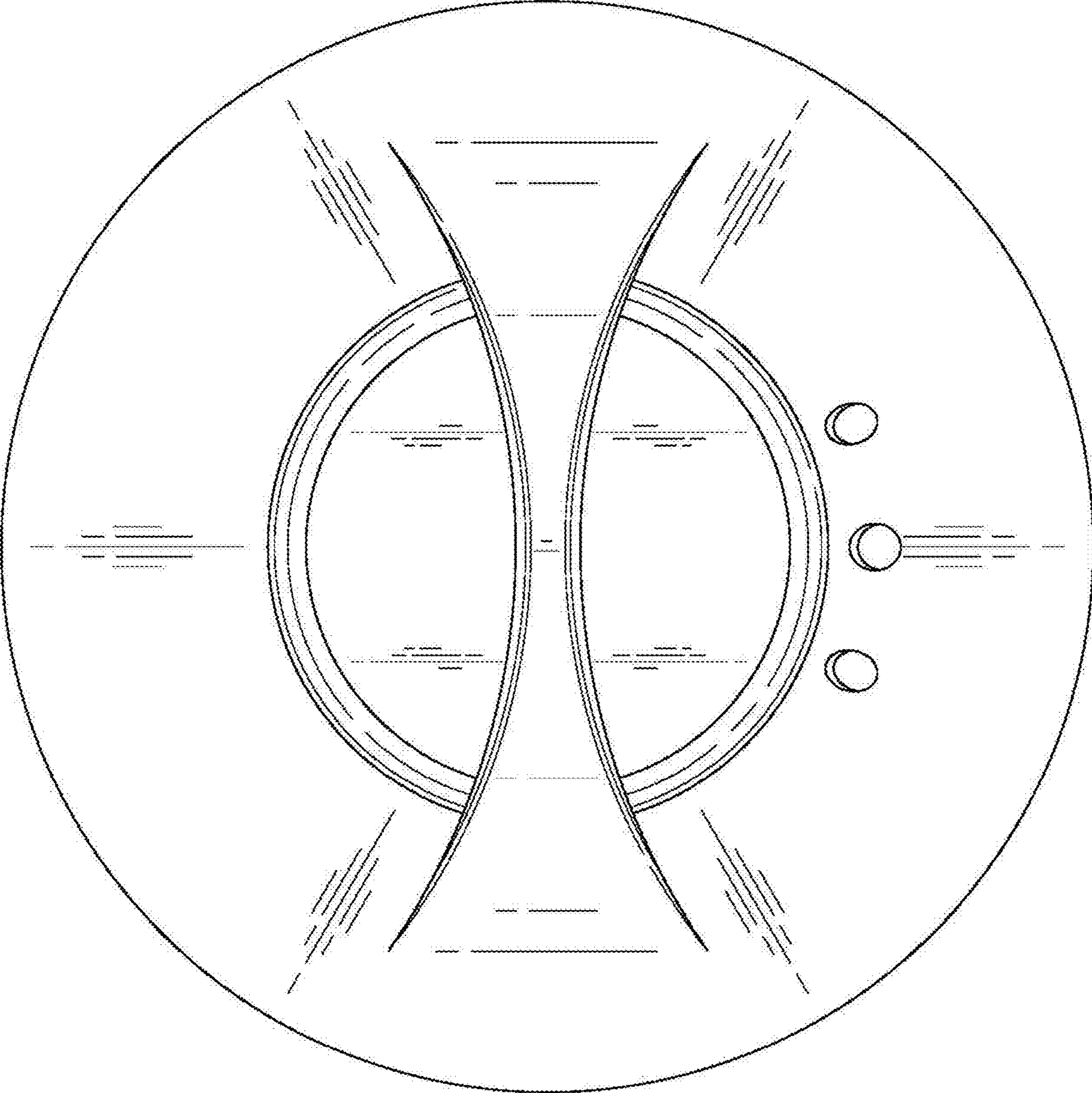


FIG. 6

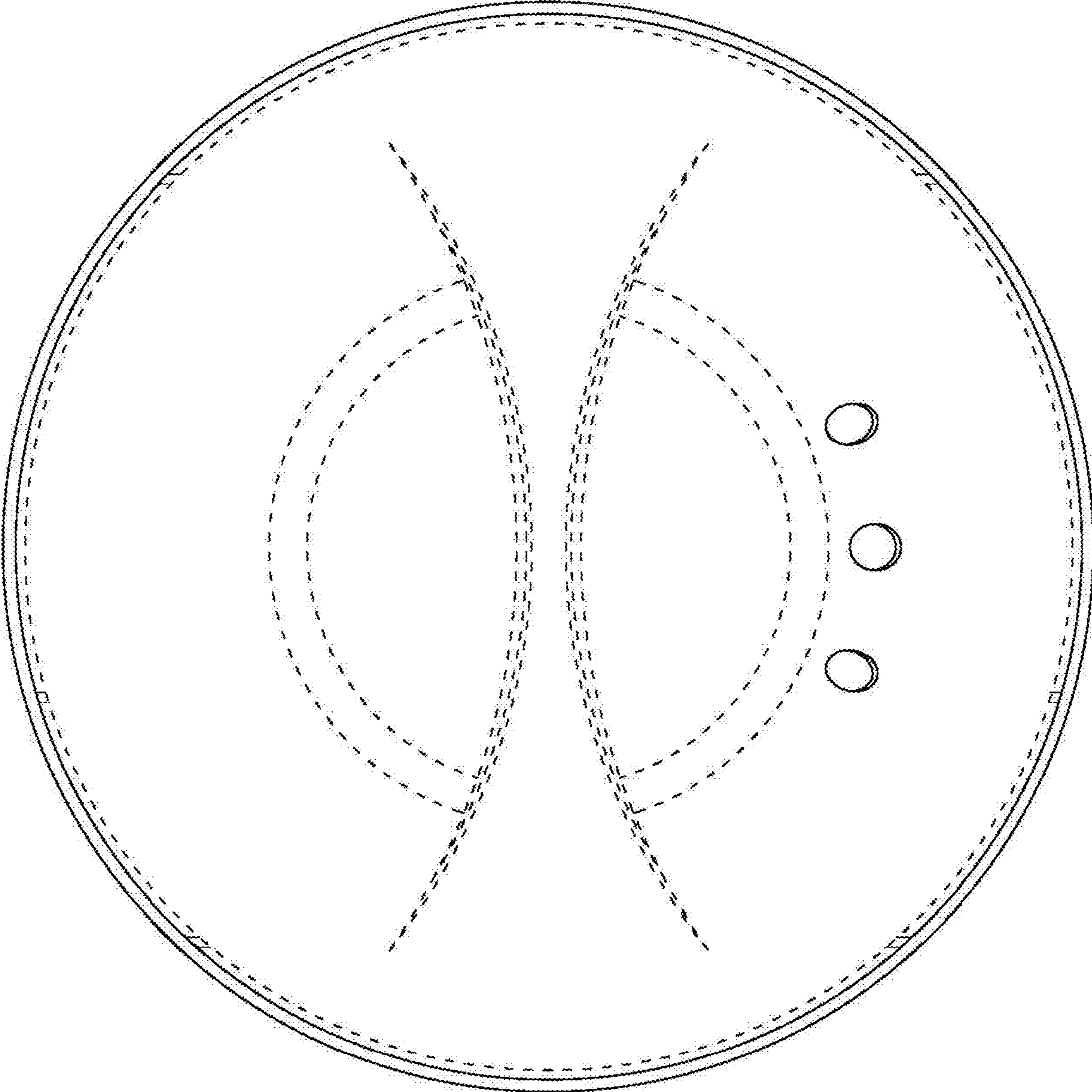


FIG. 7