



US00D895817S

(12) **United States Design Patent** (10) **Patent No.:** **US D895,817 S**
Warden (45) **Date of Patent:** **** Sep. 8, 2020**

(54) **PACIFIER FOR BABIES**

(71) Applicant: **MAPA GmbH**, Zeven (DE)
(72) Inventor: **Bodo Warden**, Viersen (DE)
(73) Assignee: **MAPA GmbH**, Zeven (DE)
(**) Term: **15 Years**

(21) Appl. No.: **29/655,946**

(22) Filed: **Jul. 9, 2018**

(30) **Foreign Application Priority Data**

Jan. 10, 2018 (EM) 004660249

(51) **LOC (12) Cl.** **24-04**

(52) **U.S. Cl.**
USPC **D24/194**

(58) **Field of Classification Search**
USPC D24/193, 194, 195, 115, 117, 214;
D1/101, 104, 106, 107, 199; D21/576,
D21/584, 606, 607; D3/293, 301;
D30/160
CPC A61J 17/001
See application file for complete search history.

(56) **References Cited**

U.S. PATENT DOCUMENTS

D441,083 S *	4/2001	Roehrig	D24/194
D548,847 S *	8/2007	Dunn	D24/194
D659,253 S *	5/2012	Valderrama	D24/194
D674,496 S *	1/2013	Roehrig	D24/194
D739,032 S *	9/2015	Recht	D24/194
D838,858 S *	1/2019	Hanneken	D24/194
D872,290 S *	1/2020	Roehrig	D24/194
2010/0030264 A1 *	2/2010	Roehrig	A61J 17/001 606/234
2011/0130790 A1 *	6/2011	Hezari	A61J 17/001 606/234
2013/0046342 A1 *	2/2013	Rohrig	A61J 17/001 606/236
2016/0158113 A1 *	6/2016	Lovat	A61J 17/001 606/236
2019/0290548 A1 *	9/2019	Evans	A61J 17/001
2019/0358129 A1 *	11/2019	Bergstrom	A61J 17/008

OTHER PUBLICATIONS

“NUK Space Silicone Orthodontic Soother”. Found online Apr. 3, 2020 at amazon.co.uk. Reference dated Oct. 23, 2019. Retrieved from https://www.amazon.co.uk/-/Orthodontic-Soother-Months/dp/B07YWSTKP3/ref=sr_1_35?dchild=1&keywords=nuk+newborn&qid=1585972045&rnid=1642204031&s=baby&sr=1-35.
“Tomme Tippee: Closer to Nature C-Air Soother”. Found online Apr. 3, 2020 at amazon.co.uk. Reference dated Mar. 13, 2009. Retrieved from https://www.amazon.co.uk/-/er-Nature-C-Air-Soother-3-6m/dp/B001VLWT8I/ref=sr_1_29?dchild=1&keywords=tomme+tippee&qid=1585961606&rnid=1642204031&s=baby&sr=1-29.
“MAM Bite & Relax Teether”. Found online Mar. 31, 2020 at amazon.co.uk. Reference dated Aug. 27, 2015. Retrieved from https://www.amazon.co.uk/MAM-Relax-2Months-Teether-Green/dp/B014JD2KJM/ref=sr_1_13?keywords=mam+cooler&qid=1585701162&sr=8-13.
“MAM Air Latex pacifier”. Found online Apr. 3, 2020 at amazon.co.uk. Reference dated Mar. 31, 2012. Retrieved from https://www.amazon.co.uk/...s/dp/B000P3A502/ref=sr_1_78?crd=17809VYTLMRAC&dchild=1&keywords=pacifier&qid=1585955760&s=baby&sprefix=paci%2Caps%2C242&sr=1-78.

* cited by examiner

Primary Examiner — Kendra Leslie Hamilton

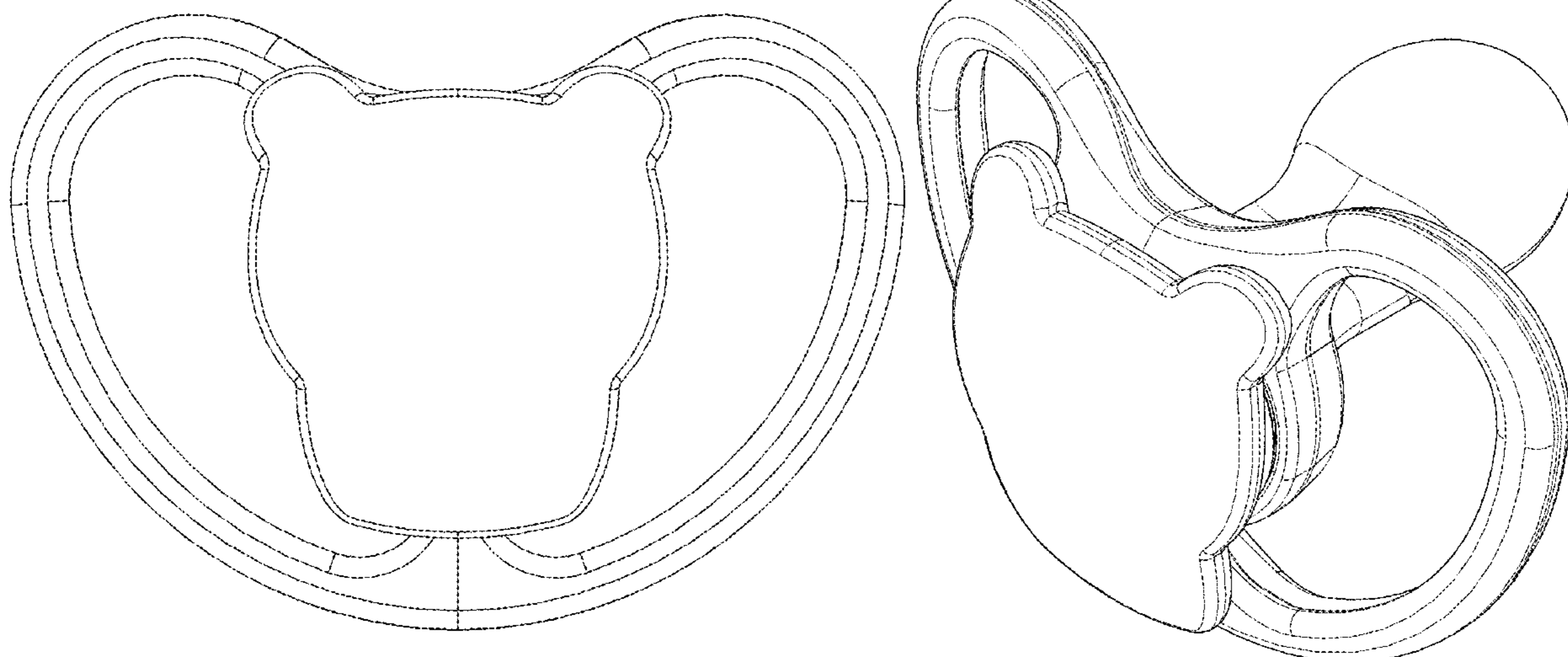
(57) **CLAIM**

The ornamental design for a pacifier for babies, as shown and described.

DESCRIPTION

FIG. 1 is a front view of a pacifier for babies, showing my new design;
FIG. 2 is a left view thereof;
FIG. 3 is a right view thereof;
FIG. 4 is a top view thereof;
FIG. 5 is a bottom view thereof;
FIG. 6 is a back view thereof; and,
FIG. 7 is a top, front, right perspective view thereof.

1 Claim, 7 Drawing Sheets



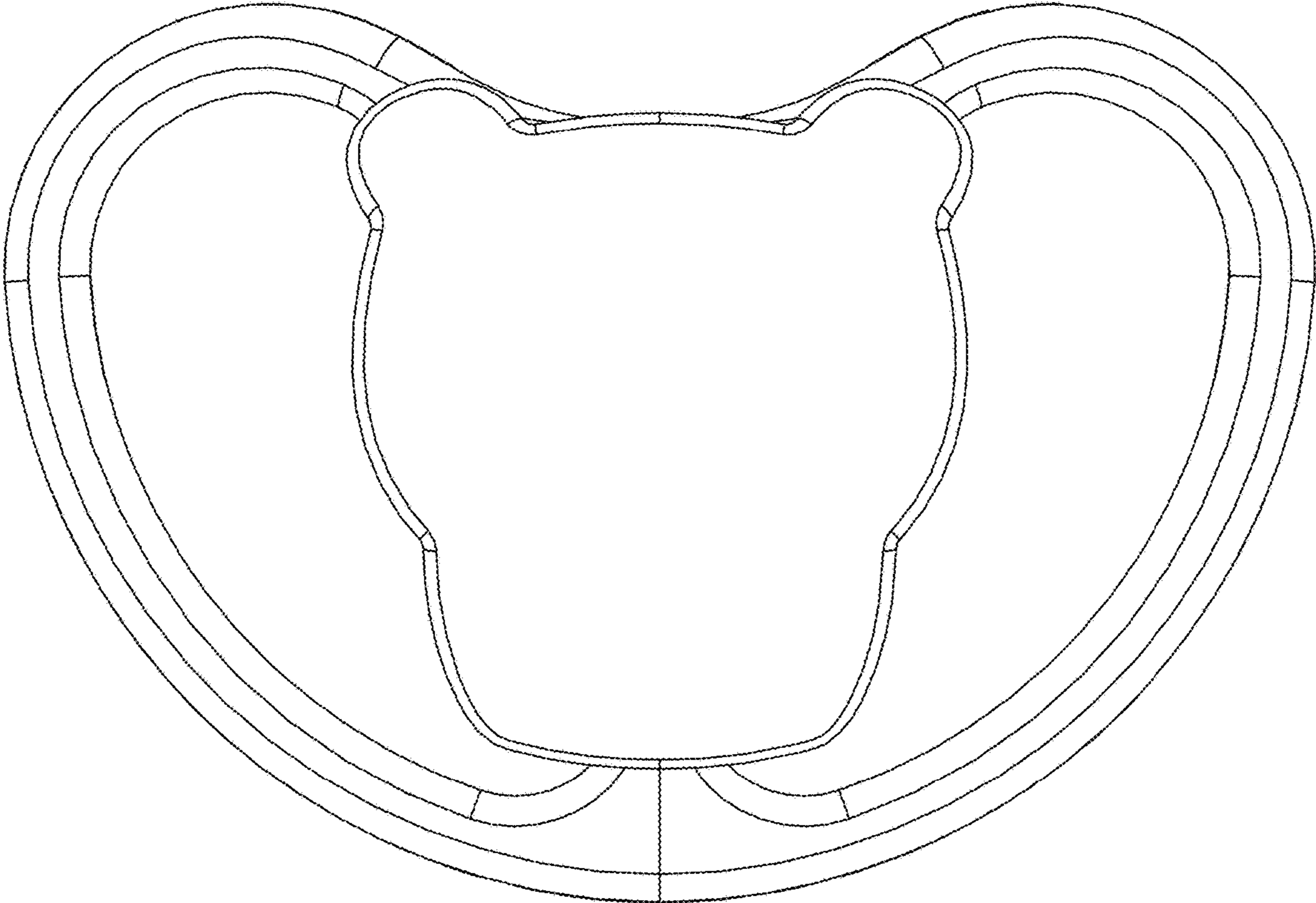


FIG. 1

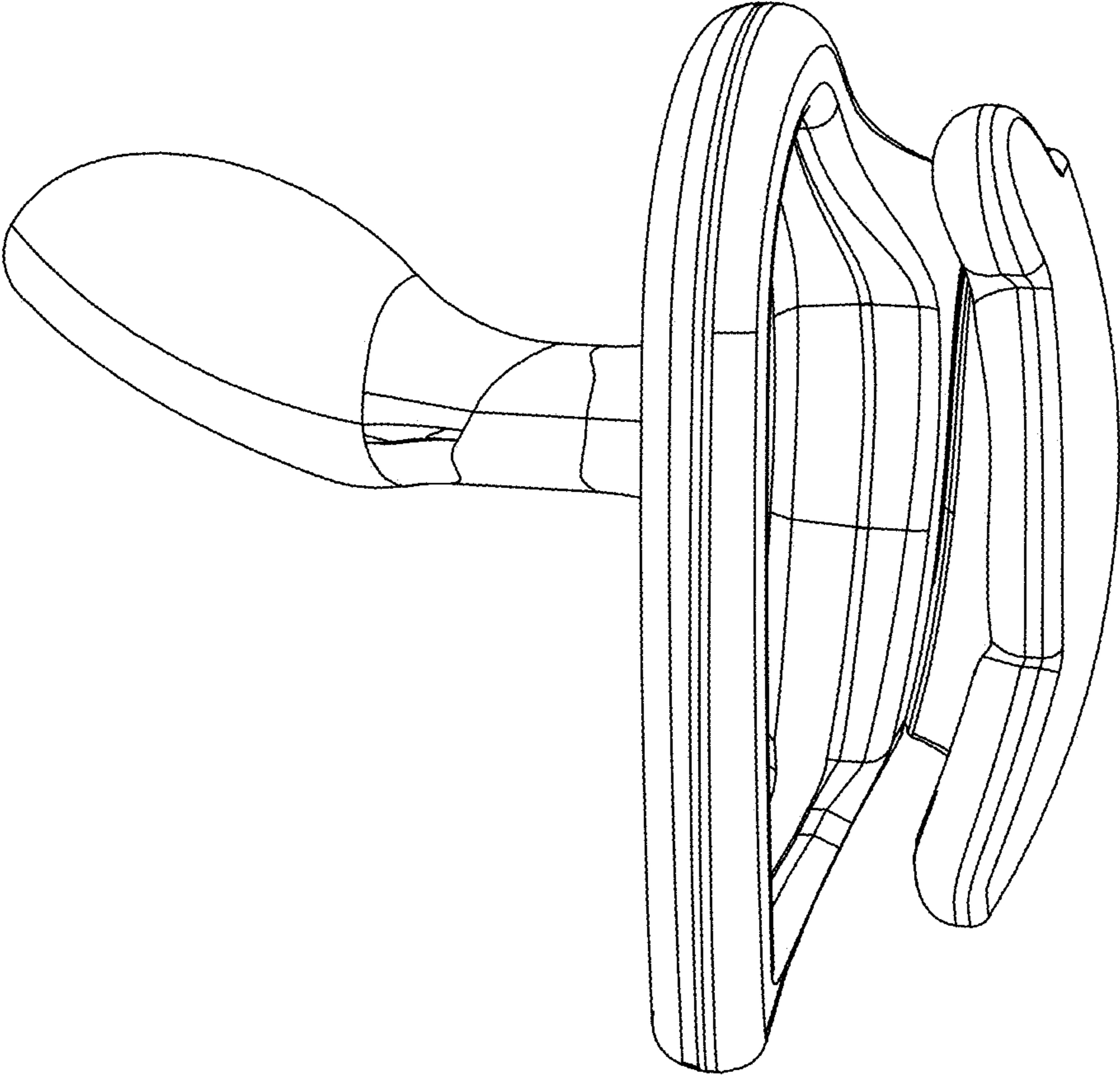


FIG. 2

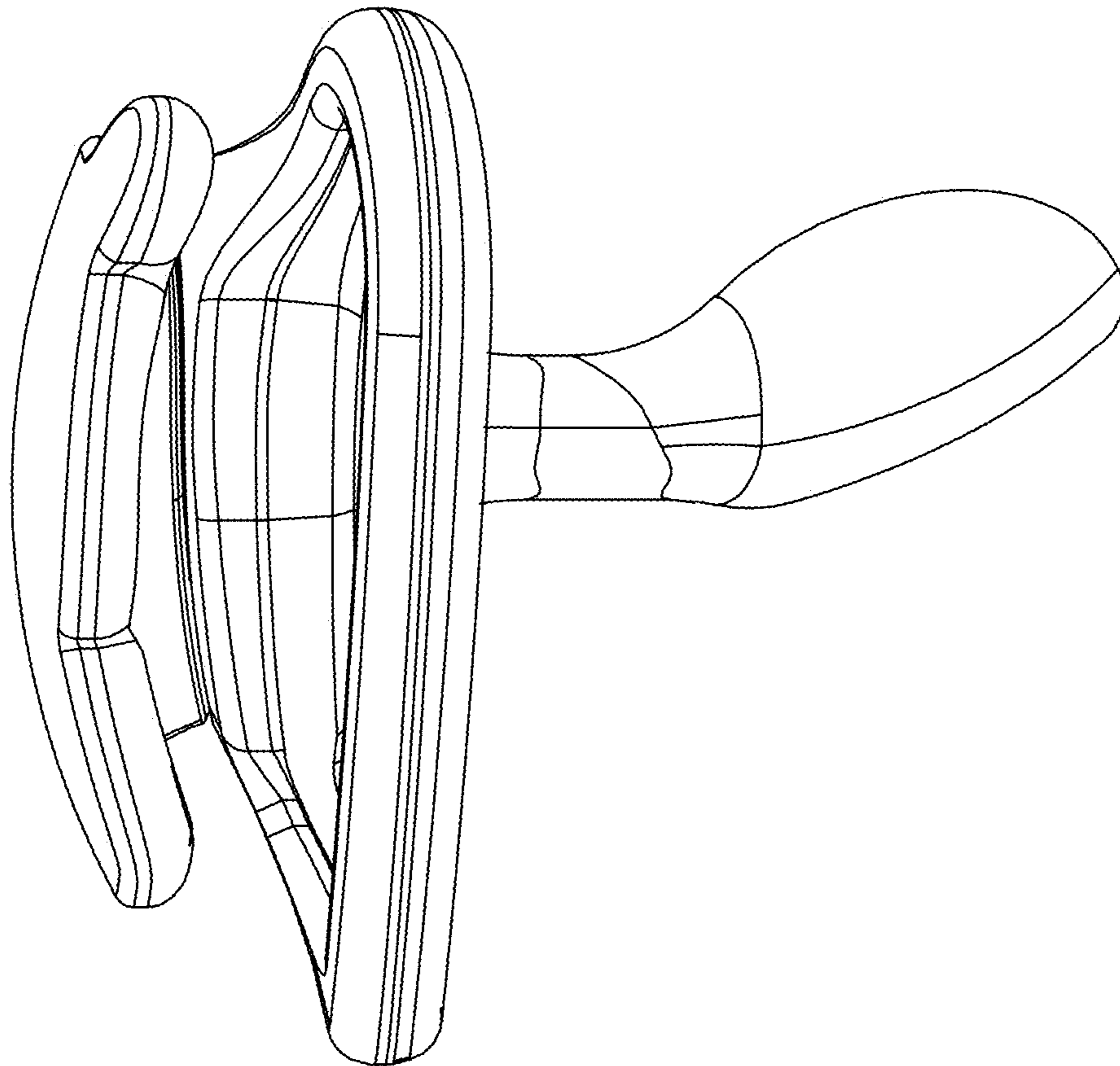


FIG. 3

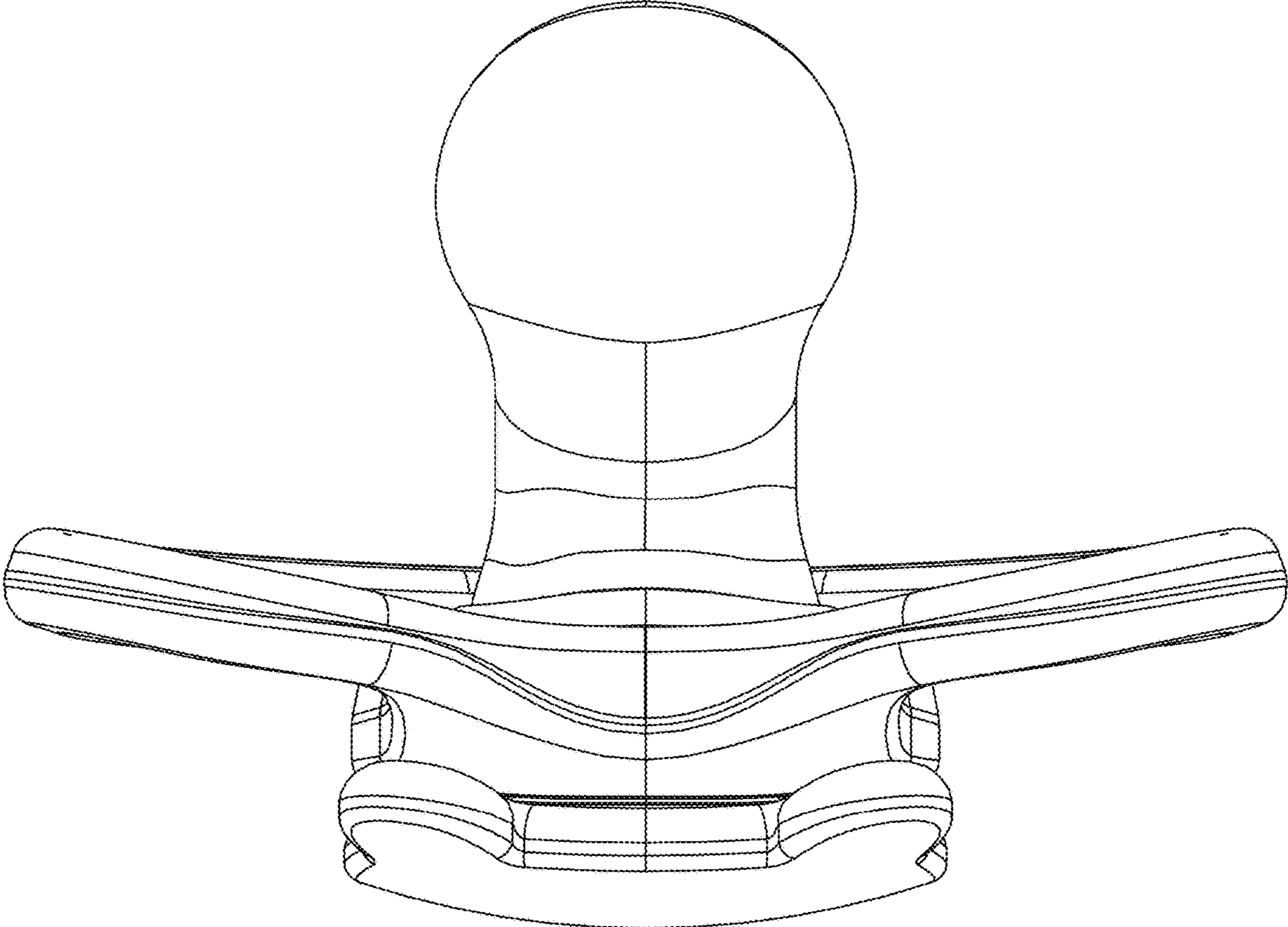


FIG. 4

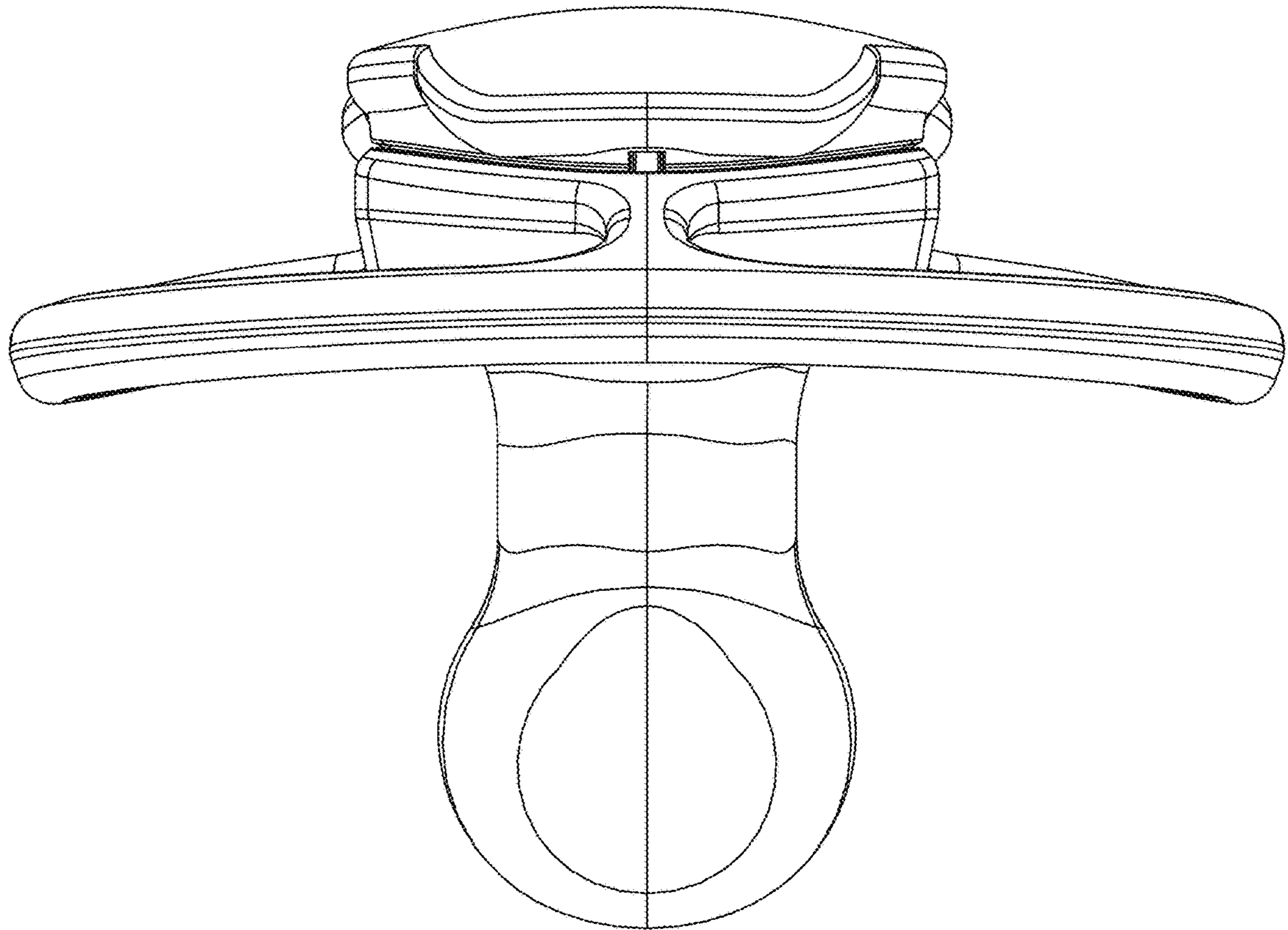


FIG. 5

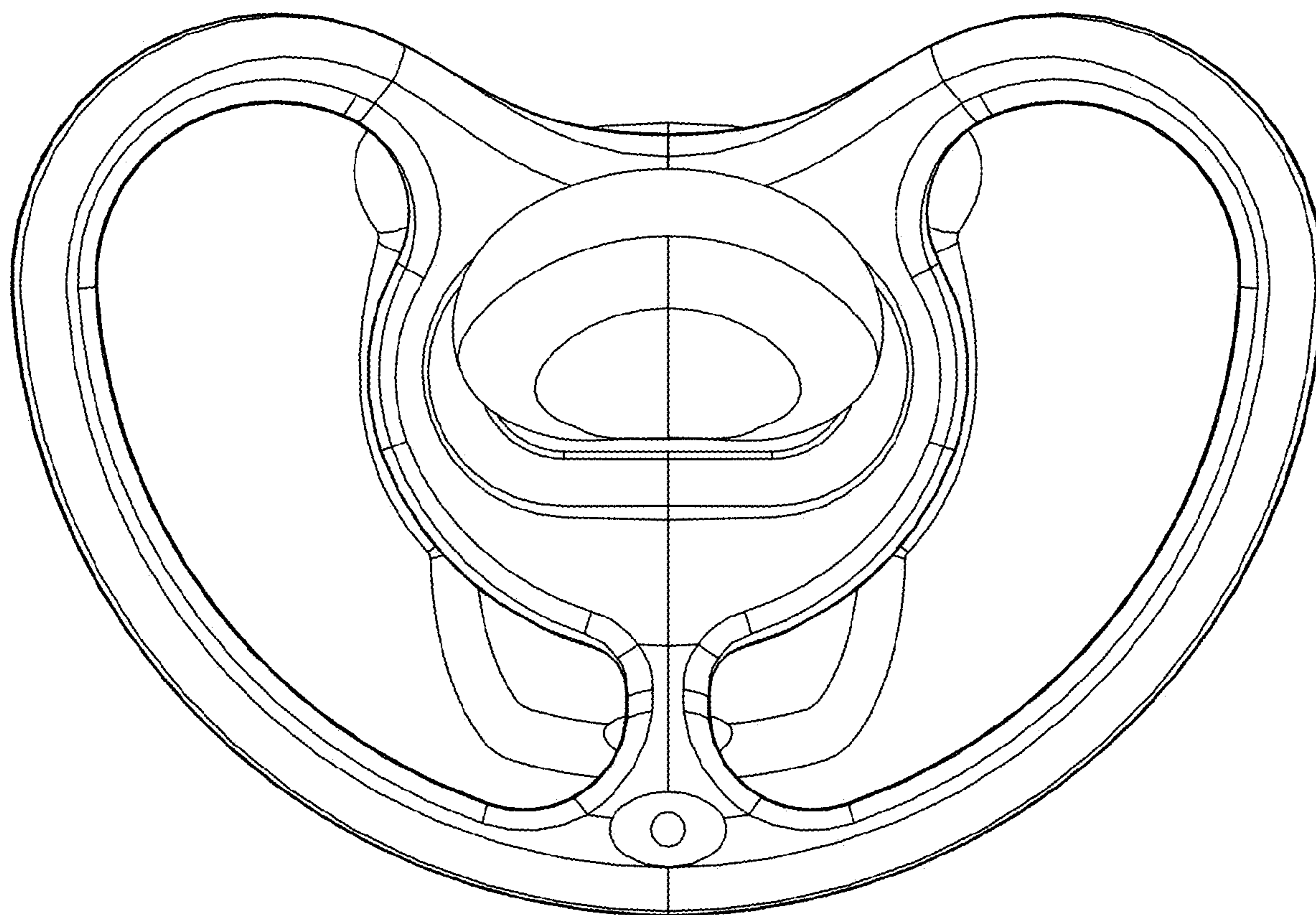


FIG. 6

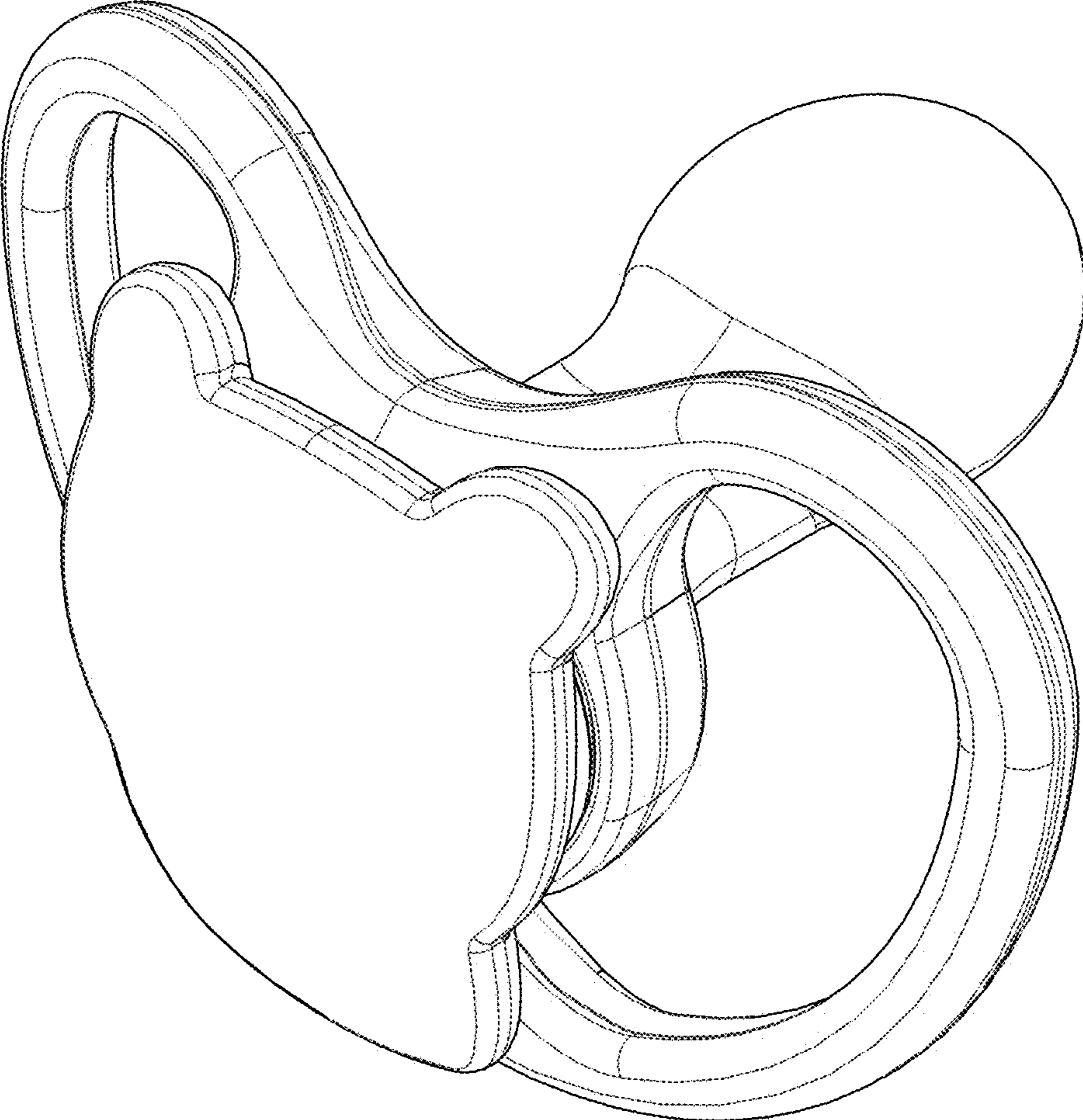


FIG. 7