



US00D895813S

(12) **United States Design Patent** (10) **Patent No.:** **US D895,813 S**
Hicken et al. (45) **Date of Patent:** **** Sep. 8, 2020**

- (54) **THERAPEUTIC ELASTIC SPORTS TAPE**
- (71) Applicant: **Blacktop Plus, LLC**, Carrollton, TX (US)
- (72) Inventors: **Matthew Hicken**, Frisco, TX (US);
Christian Hicken, Dallas, TX (US);
Nathan Ellison, Cedar Hills, UT (US);
Nicholas Hicken, Frisco, TX (US);
Steven Silvey, Garland, TX (US)
- (73) Assignee: **BLACKTOP PLUS, LLC**, Carrollton, TX (US)
- (**) Term: **15 Years**
- (21) Appl. No.: **29/728,399**
- (22) Filed: **Mar. 18, 2020**

Related U.S. Application Data

- (62) Division of application No. 29/659,581, filed on Aug. 9, 2018, now Pat. No. Des. 879,976.
- (51) **LOC (12) Cl.** **24-04**
- (52) **U.S. Cl.**
USPC **D24/189**
- (58) **Field of Classification Search**
USPC D24/127-130, 187-190; D20/42
CPC A61F 13/023; A61F 13/0259; A61F
2013/00412; A61F 2013/00846; A61F
13/0203; A61B 5/0408; A61N 1/0456;
Y10T 428/14; Y10T 428/15; Y10T
428/149; Y10T 428/1495; Y10T
428/1471; Y10T 428/24793; Y10T
428/24802; Y10T 428/1476; Y10T
428/24777; Y10T 428/2848

See application file for complete search history.

(56) **References Cited**

U.S. PATENT DOCUMENTS

D402,027 S *	12/1998	Elwell	D24/110.5
D412,750 S *	8/1999	Davis	D24/200
D417,006 S *	11/1999	Davis	D24/191
D425,992 S *	5/2000	Davis	D24/189
6,506,175 B1	1/2003	Goldstein	
6,607,799 B1	8/2003	Heinecke et al.	
D577,124 S	9/2008	Freeland et al.	
D594,561 S	6/2009	Freeland et al.	
D612,505 S	3/2010	Arbesman et al.	
D612,506 S	3/2010	Arbesman et al.	
D612,944 S	3/2010	Arbesman et al.	
D622,403 S	8/2010	Arbesman et al.	
D625,422 S	10/2010	Arbesman et al.	
D625,825 S	10/2010	Arbesman et al.	
D649,255 S	11/2011	Kase	
D674,493 S *	1/2013	Nichols	D24/190
D679,405 S	4/2013	Arbesman	

(Continued)

Primary Examiner — Jennifer L Watkins

(74) *Attorney, Agent, or Firm* — Goodhue, Coleman & Owens, P.C.

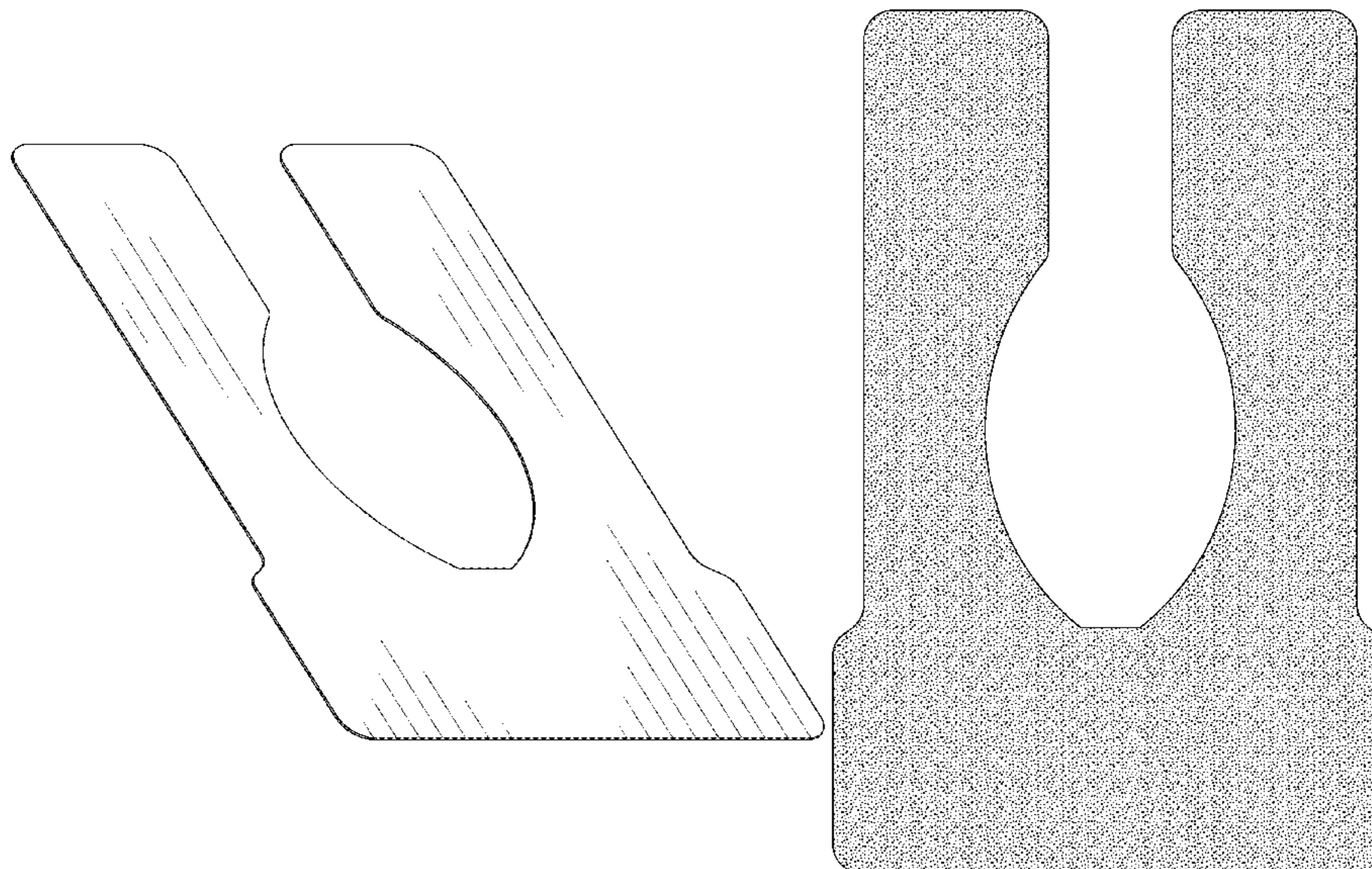
(57) **CLAIM**

The ornamental design for therapeutic elastic sports tape, as shown and described.

DESCRIPTION

FIG. 1 is a perspective view of a therapeutic elastic sports tape;
 FIG. 2 is another perspective view thereof in use;
 FIG. 3 is a top view thereof;
 FIG. 4 is a bottom view thereof with shading for illustrating adhesive;
 FIG. 5 is a right side view thereof with the left side view being a mirror image;
 FIG. 6 is a front view thereof; and,
 FIG. 7 is a back view thereof.
 The broken lines shown in FIG. 2 illustrate portions of a user depicted environment that form no part of the claimed design.

1 Claim, 3 Drawing Sheets



(56)

References Cited

U.S. PATENT DOCUMENTS

D691,276	S	10/2013	Bushby	
D737,986	S	9/2015	Arbesman	
D743,566	S	11/2015	Arbesman	
D787,688	S *	5/2017	Stephenson	D24/189
D795,442	S	8/2017	Arbesman	
D801,539	S *	10/2017	Deitch	D24/189
D822,219	S *	7/2018	Coates	D24/192
D850,559	S	6/2019	Hoang	
D868,267	S *	11/2019	Del Rossi	D24/189
D878,608	S *	3/2020	Tapper	A61N 5/0613 D24/189
2008/0064996	A1	3/2008	Bretl et al.	
2010/0198004	A1 *	8/2010	Moschel	A61B 17/0401 600/37

* cited by examiner

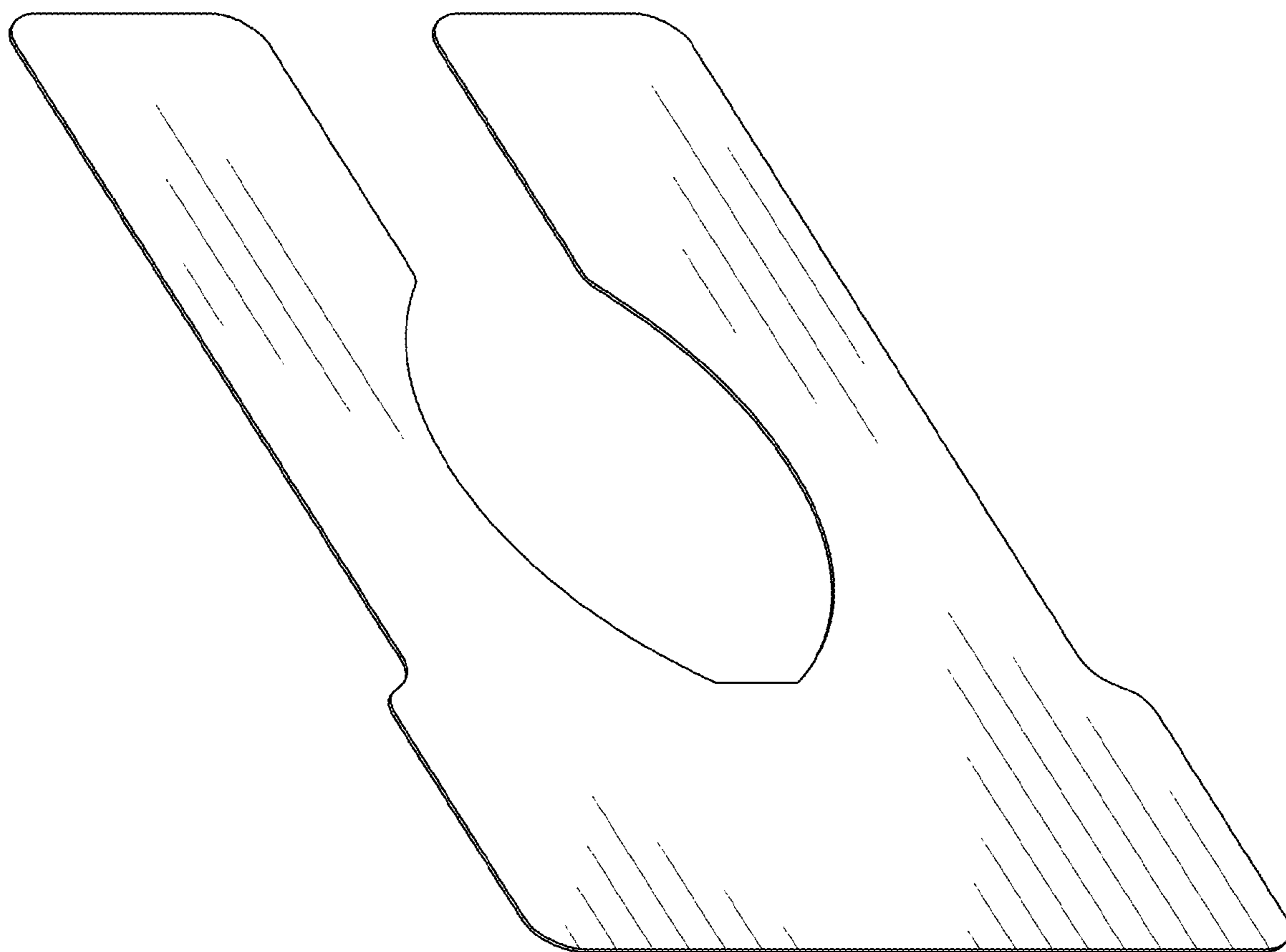


FIG. 1

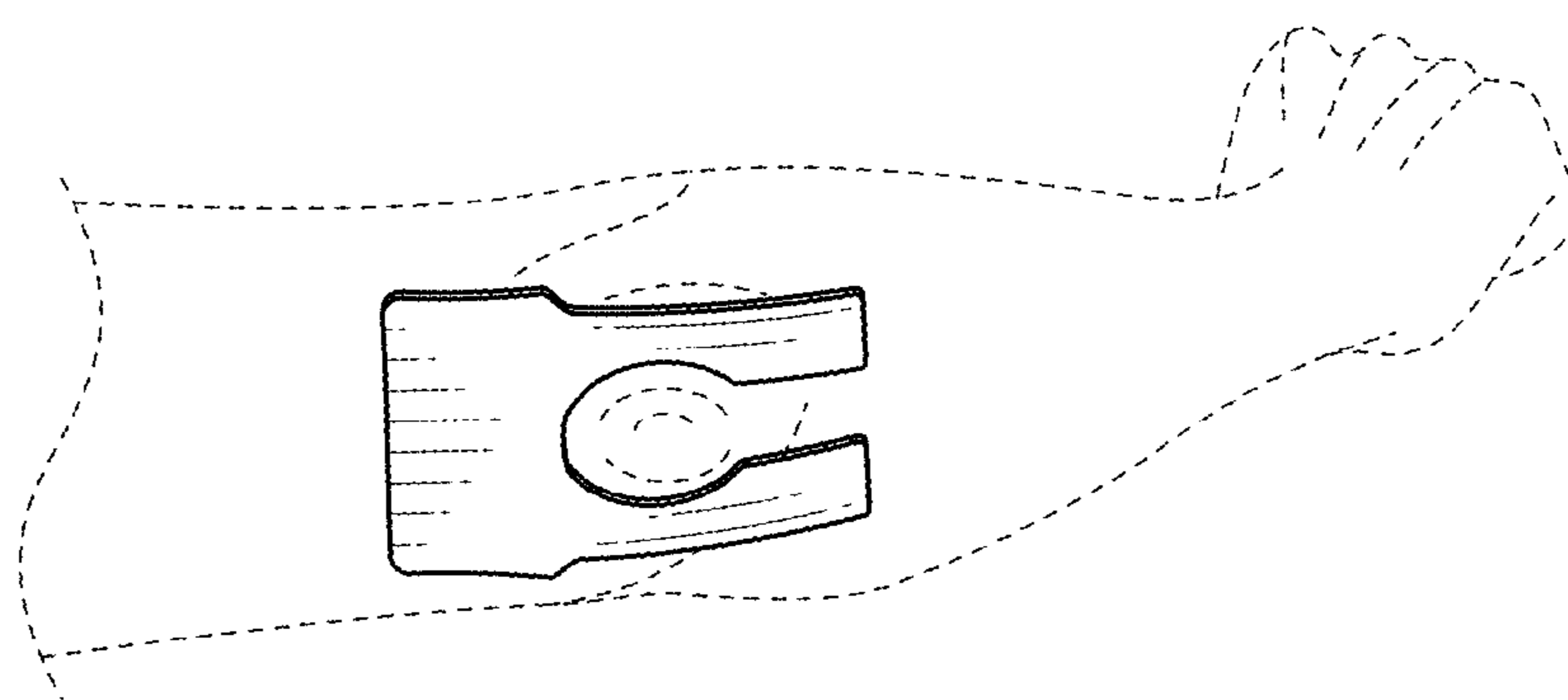


FIG. 2

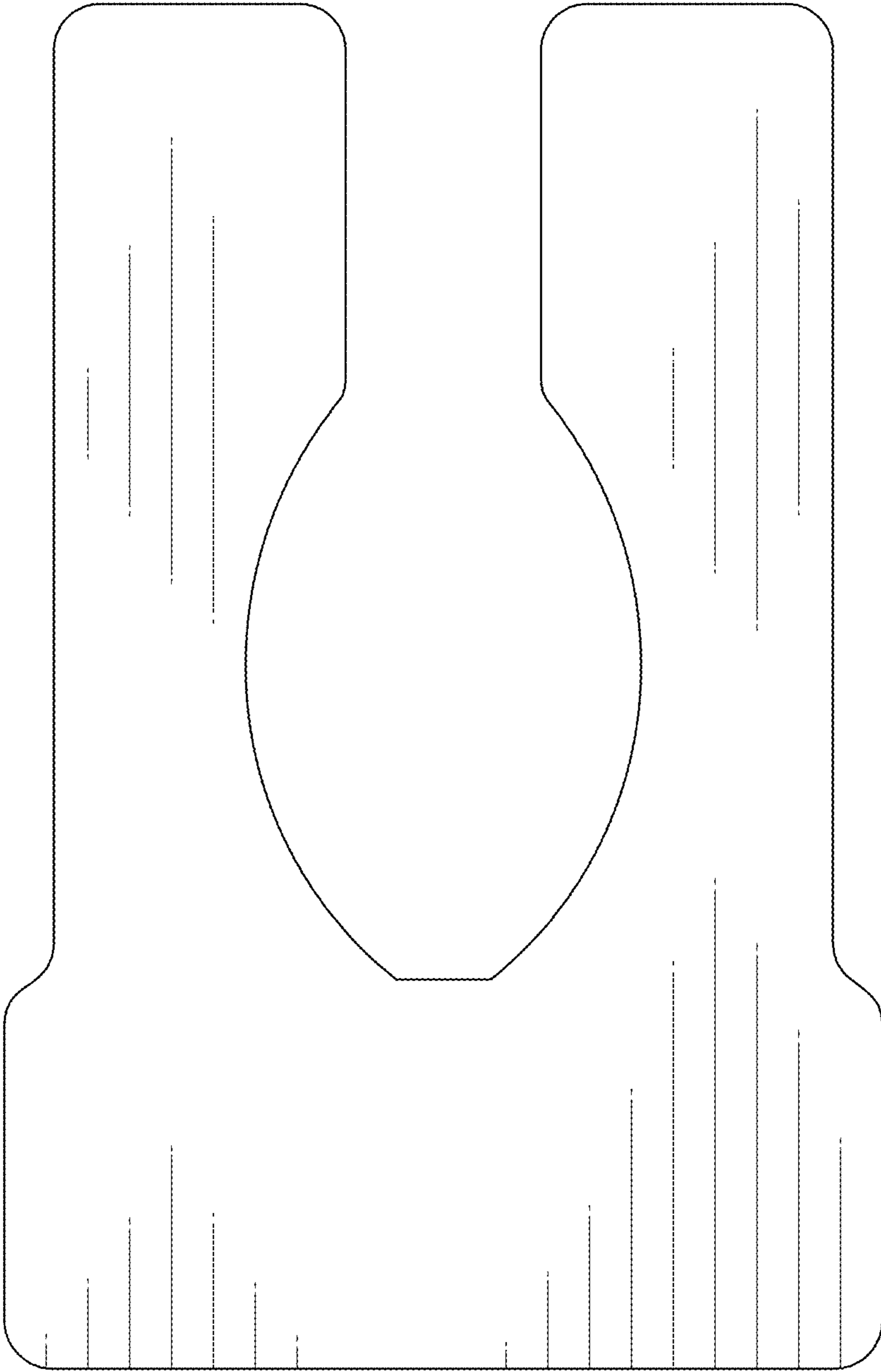


FIG. 3

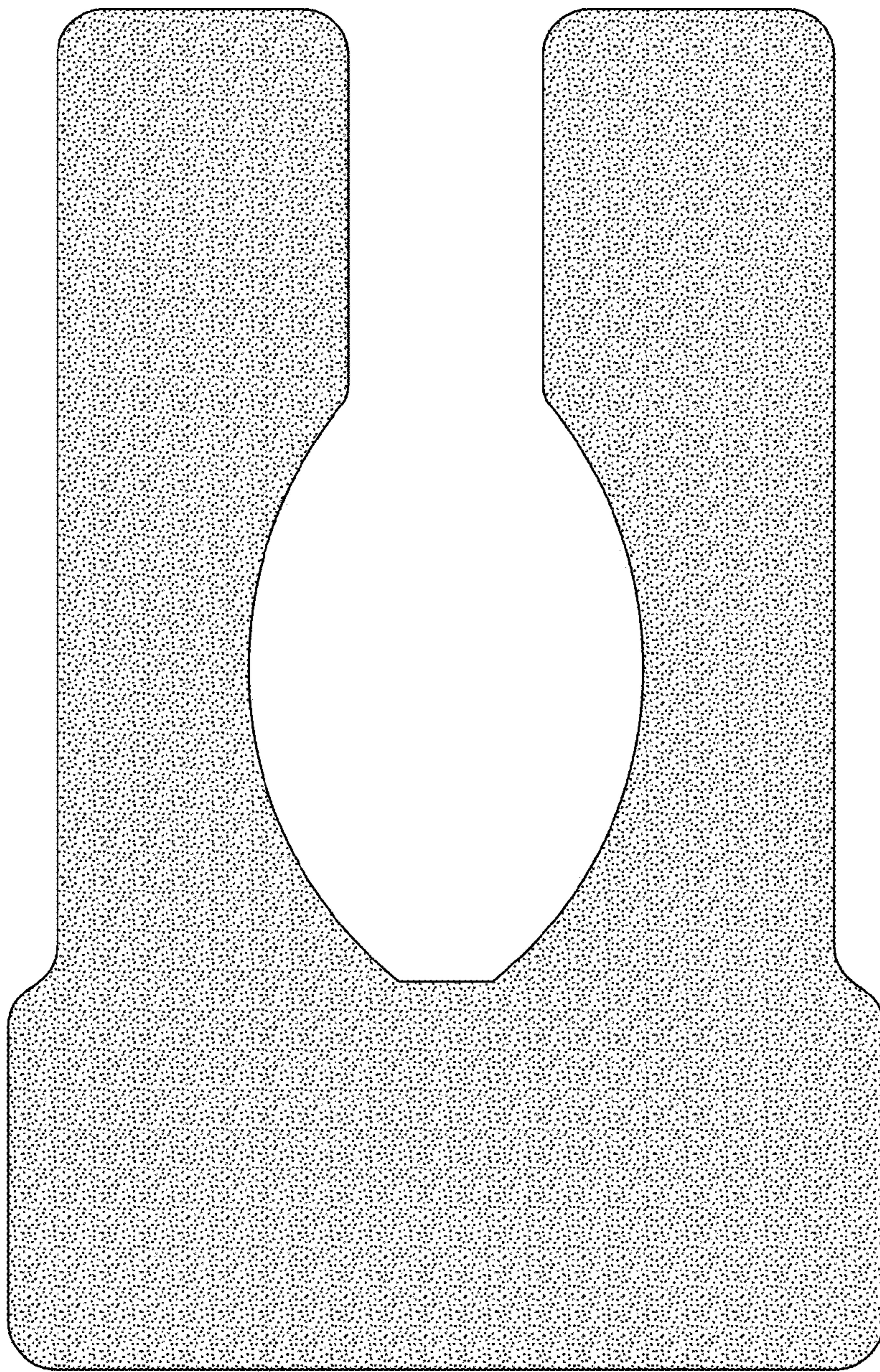


FIG. 4



FIG. 5



FIG. 6



FIG. 7