



US00D895811S

(12) **United States Design Patent** (10) **Patent No.:** **US D895,811 S**  
**Green et al.** (45) **Date of Patent:** **\*\* Sep. 8, 2020**

(54) **EAR-MOUNTABLE BIO-SENSOR DEVICE**

(56) **References Cited**

(71) Applicant: **Inova Design Solutions Ltd**, London (GB)

U.S. PATENT DOCUMENTS

(72) Inventors: **Steven Green**, Oxon (GB); **Leon Marsh**, London (GB); **Emily Mcloughlin**, West Sussex (GB)

D585,557 S *	1/2009	Sakurai .....	D24/187
D632,794 S	2/2011	Wai	
D692,142 S	10/2013	Hughes et al.	
8,574,165 B2 *	11/2013	Marsh .....	A61B 5/01 600/549
D717,443 S	11/2014	Hughes et al.	
8,942,776 B2	1/2015	LeBoeuf et al.	
D771,822 S *	11/2016	Jo .....	D24/186
D778,450 S	2/2017	Min et al.	
D796,490 S	9/2017	Lian	
D814,443 S	4/2018	Sandanger	
D841,816 S *	2/2019	Min .....	D24/173
D850,637 S *	6/2019	Ci .....	D24/174
D856,523 S *	8/2019	Green .....	D24/186
2013/0060155 A1	3/2013	Chen	
2014/0213864 A1	7/2014	Abdul-Hafiz et al.	
2014/0275888 A1	9/2014	Wegerich et al.	
2017/0000359 A1	1/2017	Kohli et al.	

(73) Assignee: **Inova Design Solutions Ltd**, London (GB)

(\*\*) Term: **15 Years**

(21) Appl. No.: **29/691,702**

(22) Filed: **May 17, 2019**

(Continued)

**Related U.S. Application Data**

(62) Division of application No. 29/595,867, filed on Mar. 2, 2017, now Pat. No. Des. 856,523.

*Primary Examiner* — Anhdao Doan

(74) *Attorney, Agent, or Firm* — Banner & Witcoff, Ltd.

(30) **Foreign Application Priority Data**

Jan. 6, 2017 (EM) ..... 003598002

(51) **LOC (12) Cl.** ..... **24-01**

(52) **U.S. Cl.**  
USPC ..... **D24/186**

(58) **Field of Classification Search**  
USPC ..... D24/173–175, 186, 187, 106; D14/205, D14/223–226, 249, 188  
CPC .. H04R 2225/025; H04R 25/60; H04R 25/63; H04R 25/67; H04R 25/602; H04R 25/604; H04R 25/608; H04R 25/65; H04R 25/652; A61B 5/6815; A61B 5/6816; A61B 5/6817

See application file for complete search history.

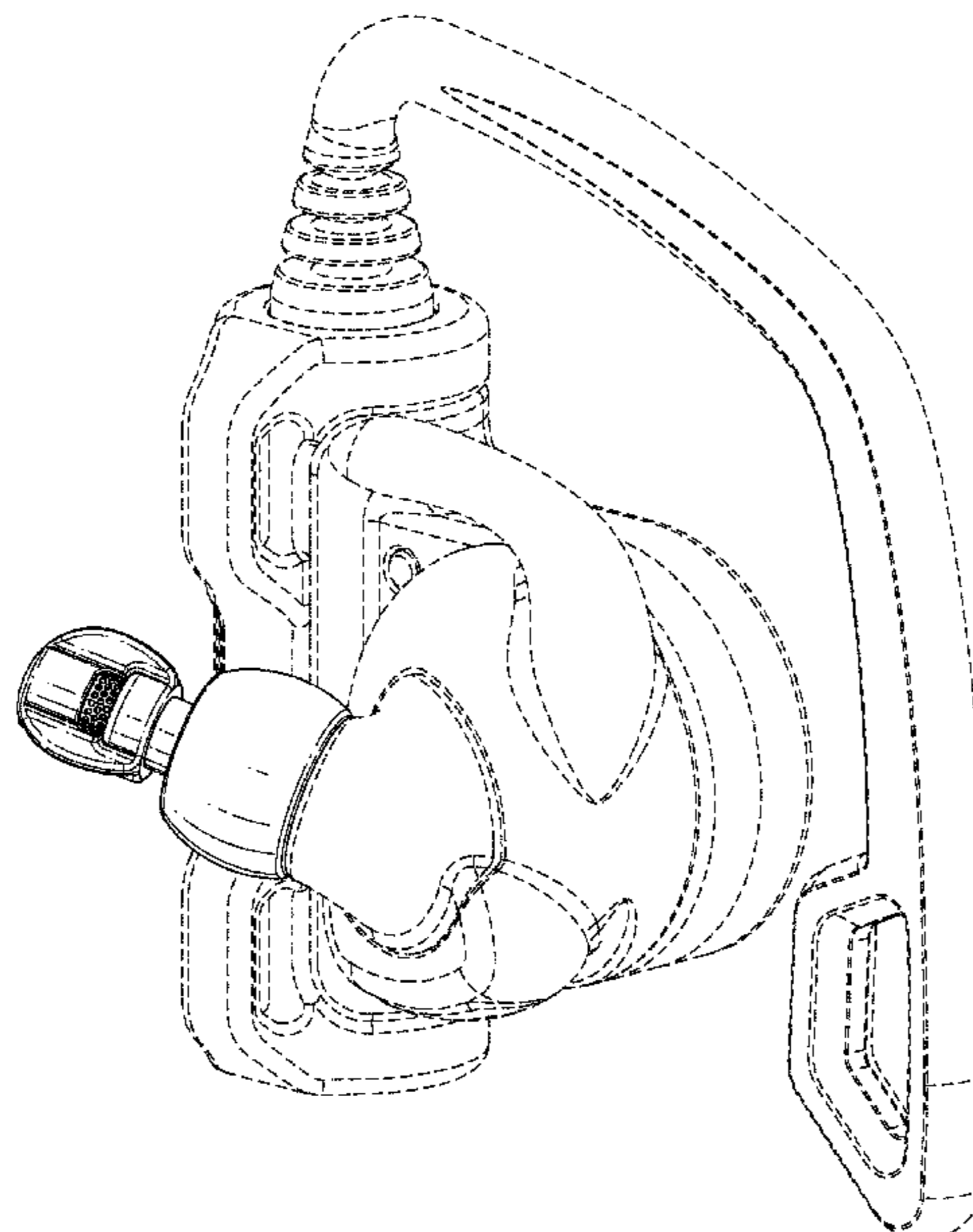
**CLAIM**

The ornamental design for an ear-mountable bio-sensor device, as shown and described.

**DESCRIPTION**

FIG. 1 is a rear perspective view of an ear-mountable bio-sensor device showing our new design; FIG. 2 is a front perspective view thereof; FIG. 3 is a side view thereof; FIG. 4 is a another side view thereof; FIG. 5 is a rear view thereof; FIG. 6 is a front view thereof; FIG. 7 is a top view thereof; and, FIG. 8 is a bottom view thereof. The broken line showing represents an environmental subject matter that forms no part of the claimed design.

**1 Claim, 8 Drawing Sheets**



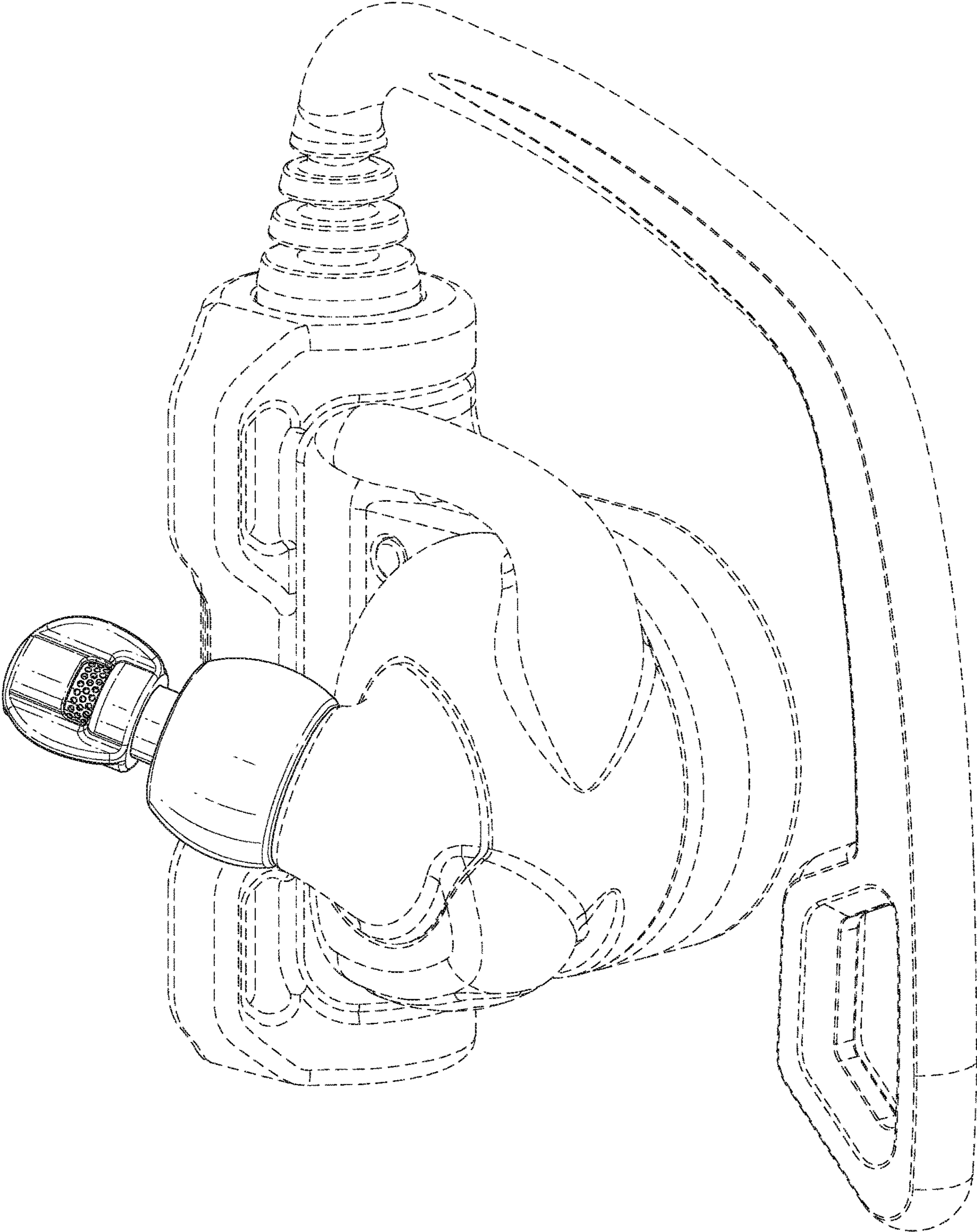
(56)

**References Cited**

U.S. PATENT DOCUMENTS

2018/0235540 A1 8/2018 Kirszenblat et al.  
2019/0212198 A1\* 7/2019 Marsh ..... G01J 5/0011

\* cited by examiner



**FIG. 1**



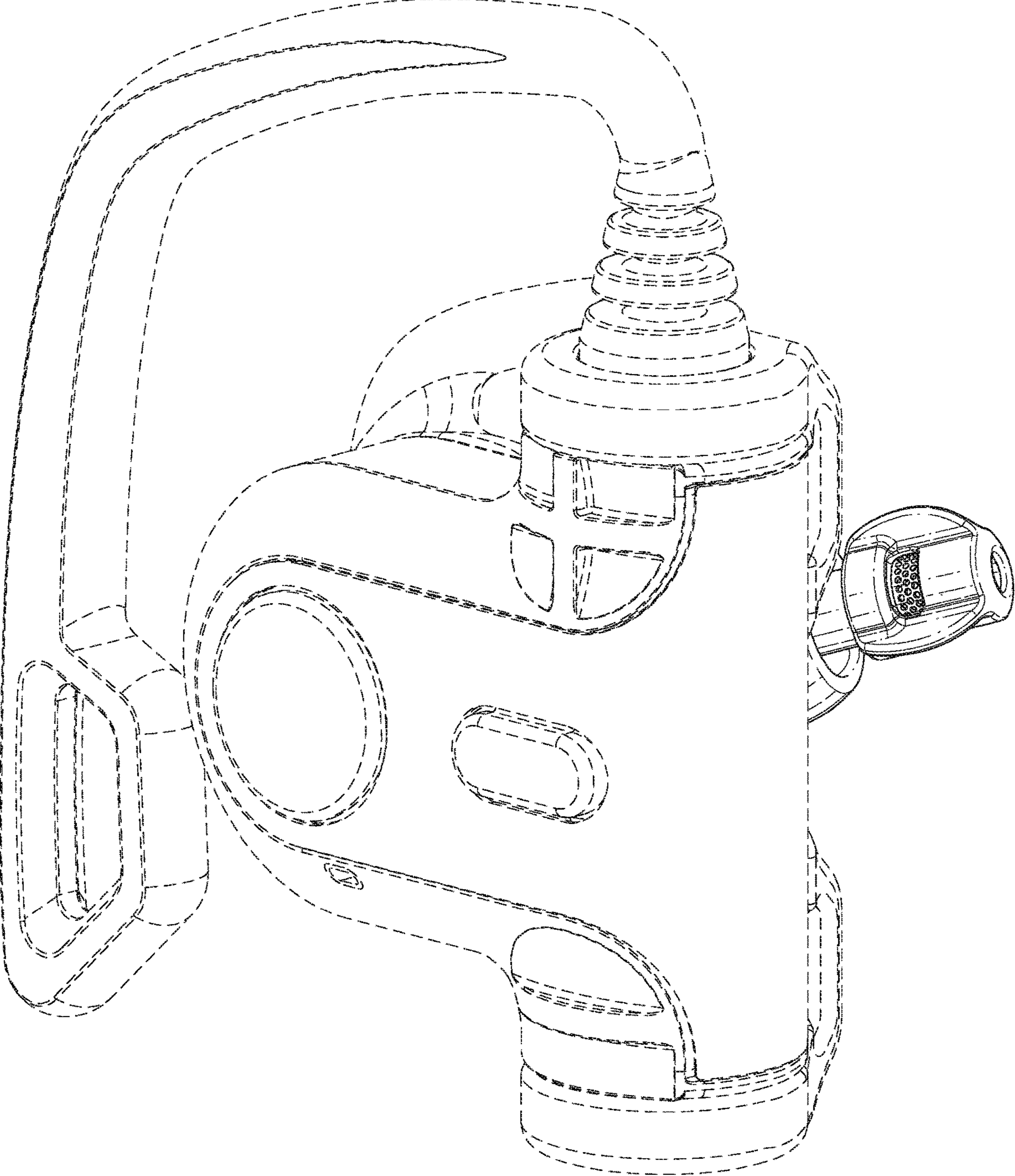


FIG. 2

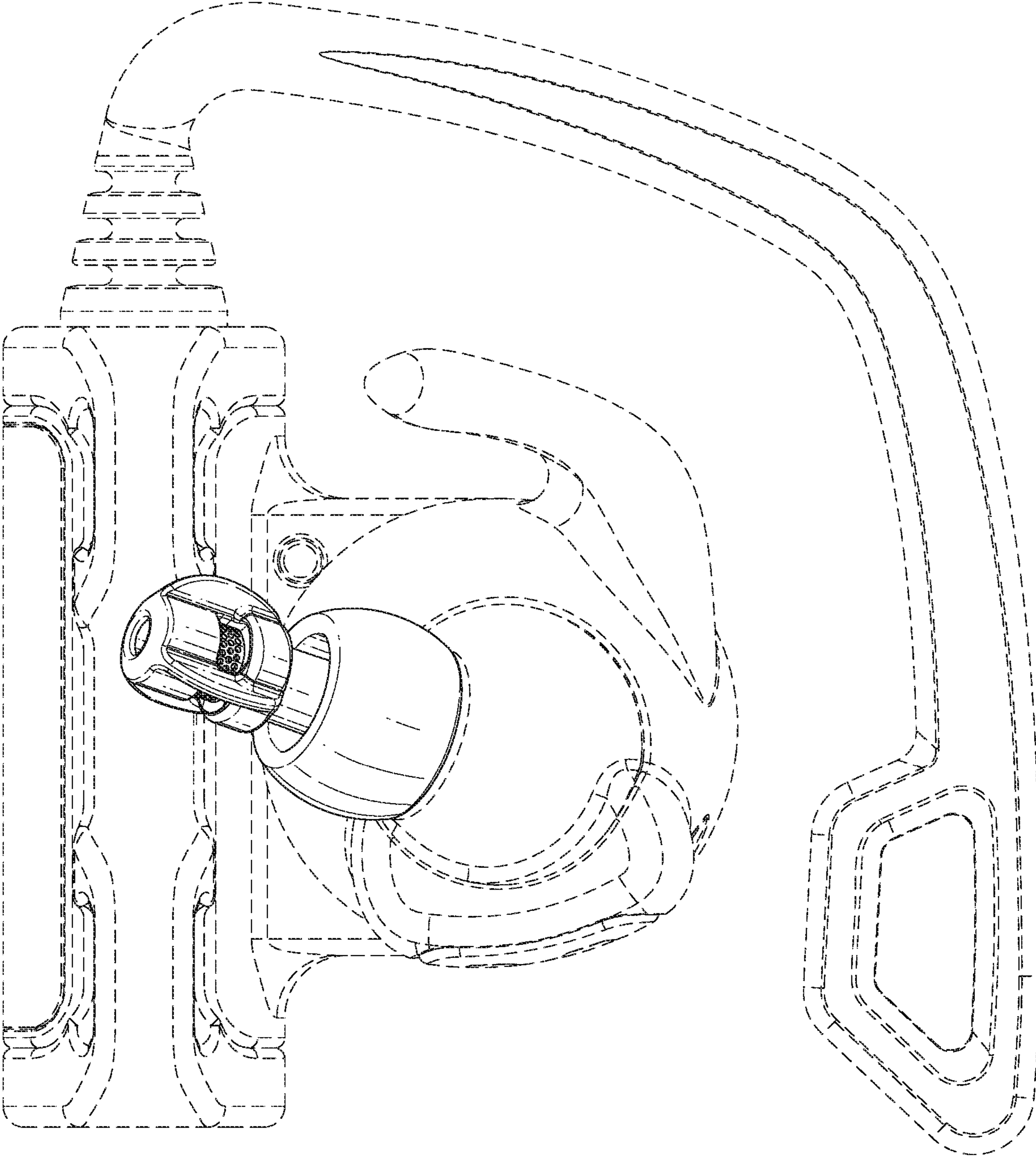


FIG. 3

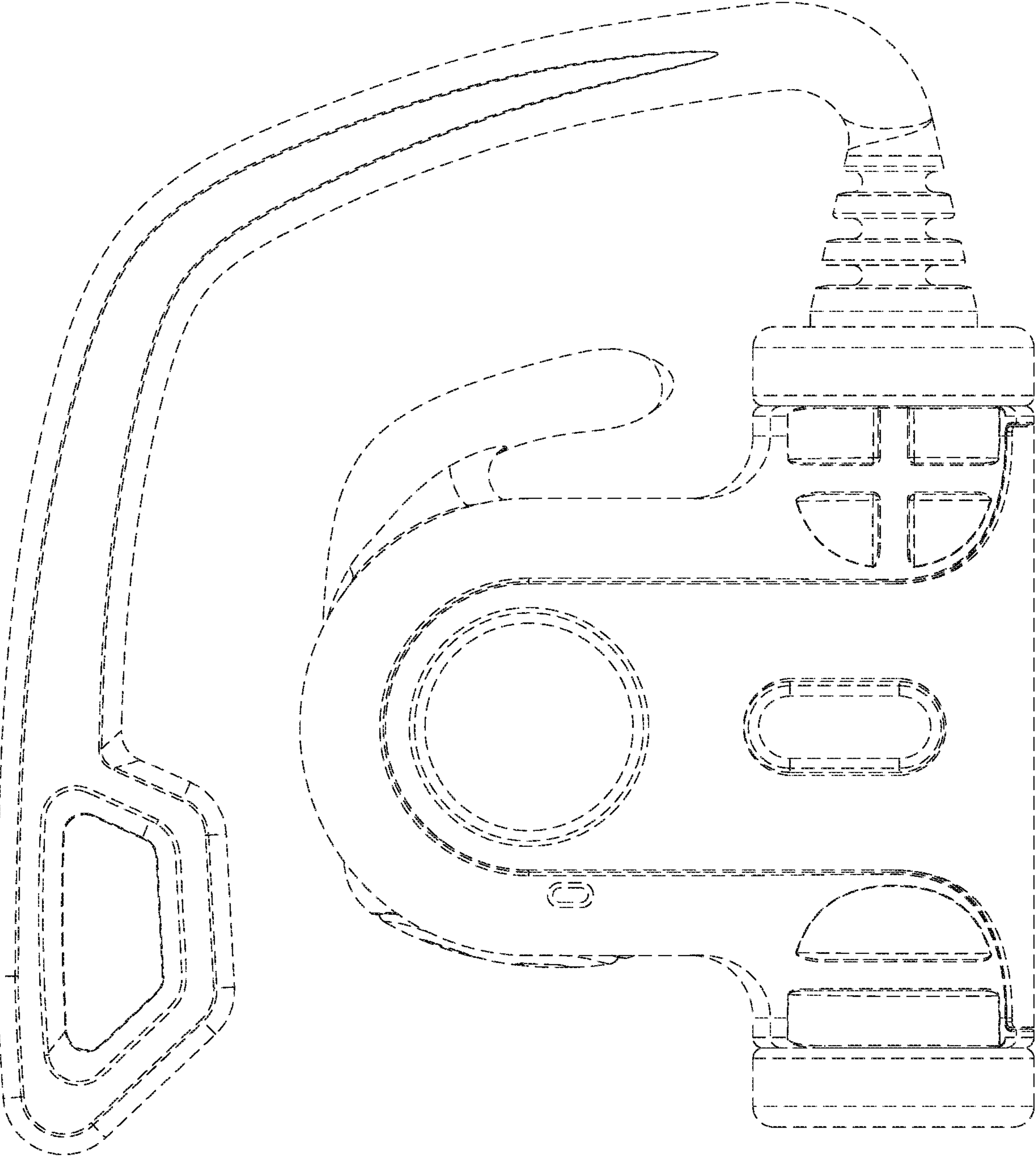
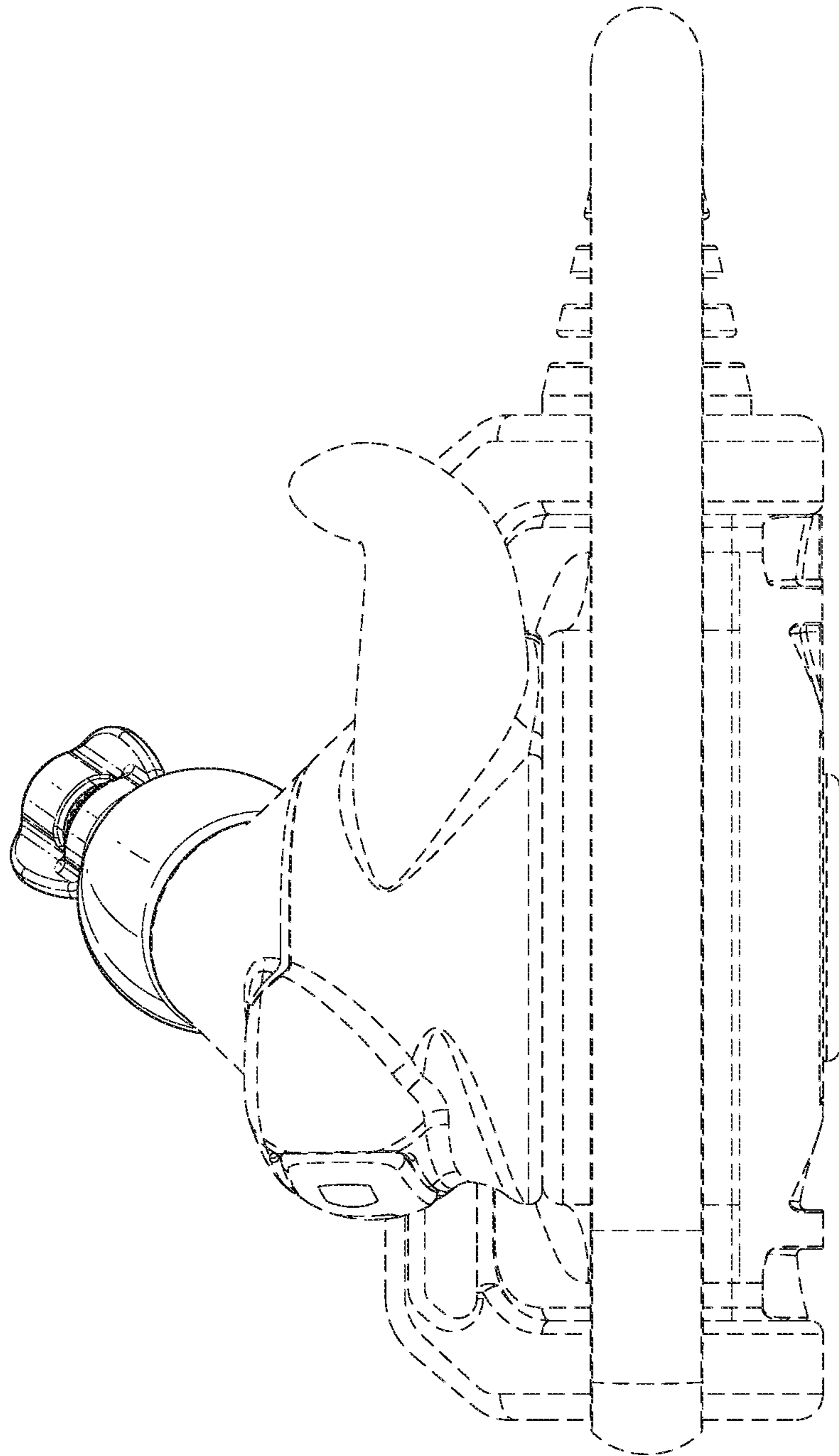
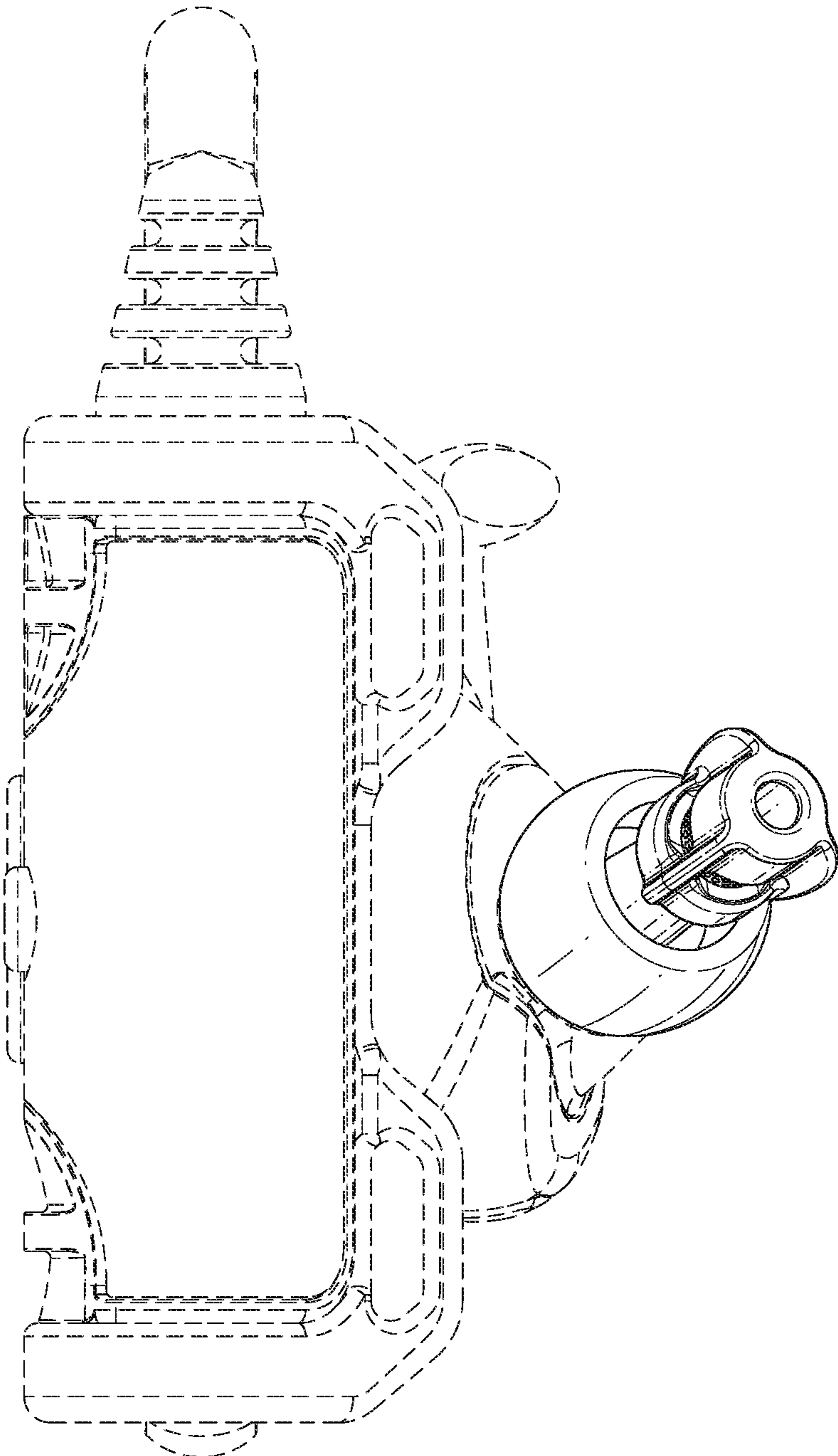


FIG. 4



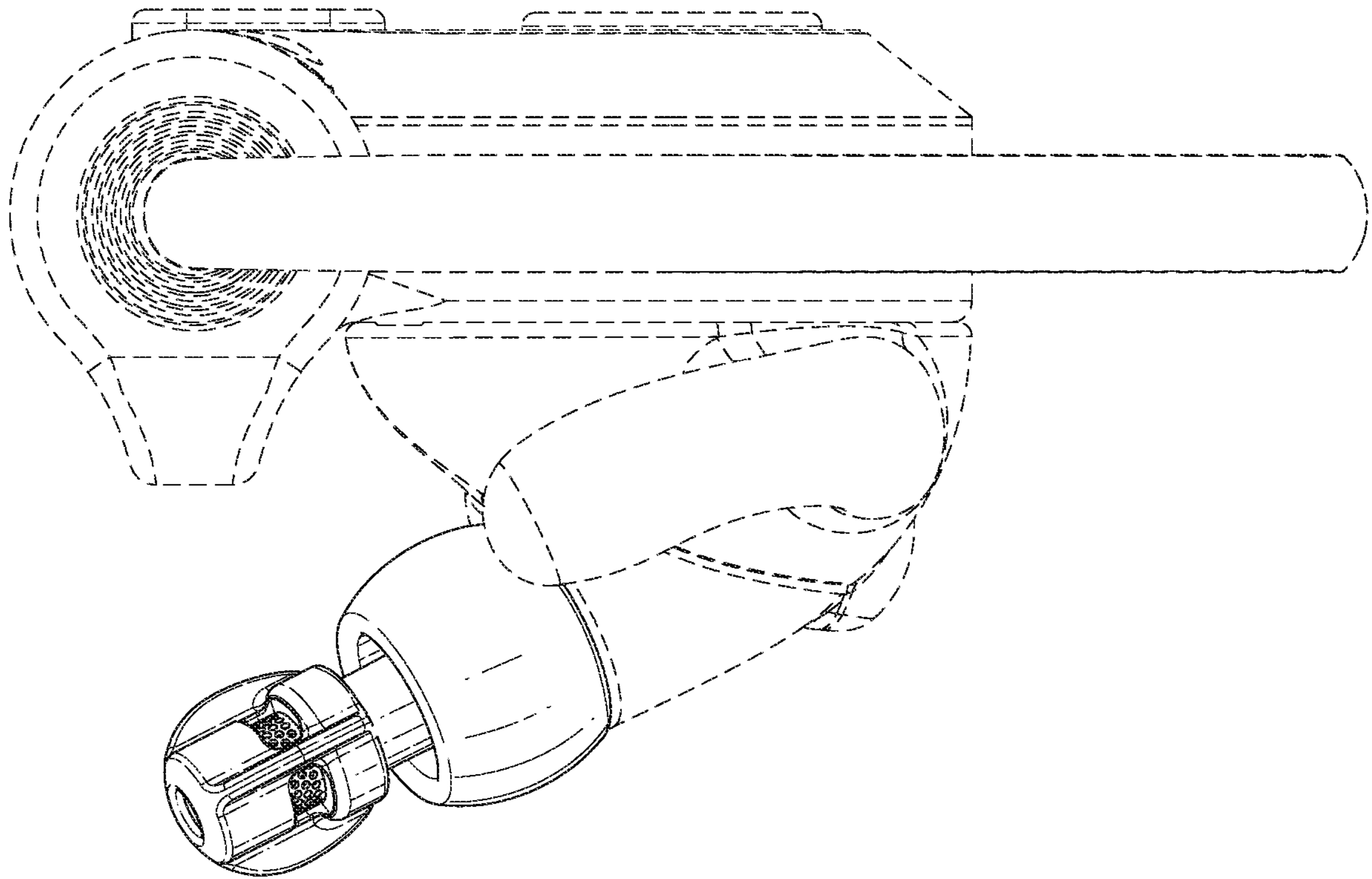
**FIG. 5**



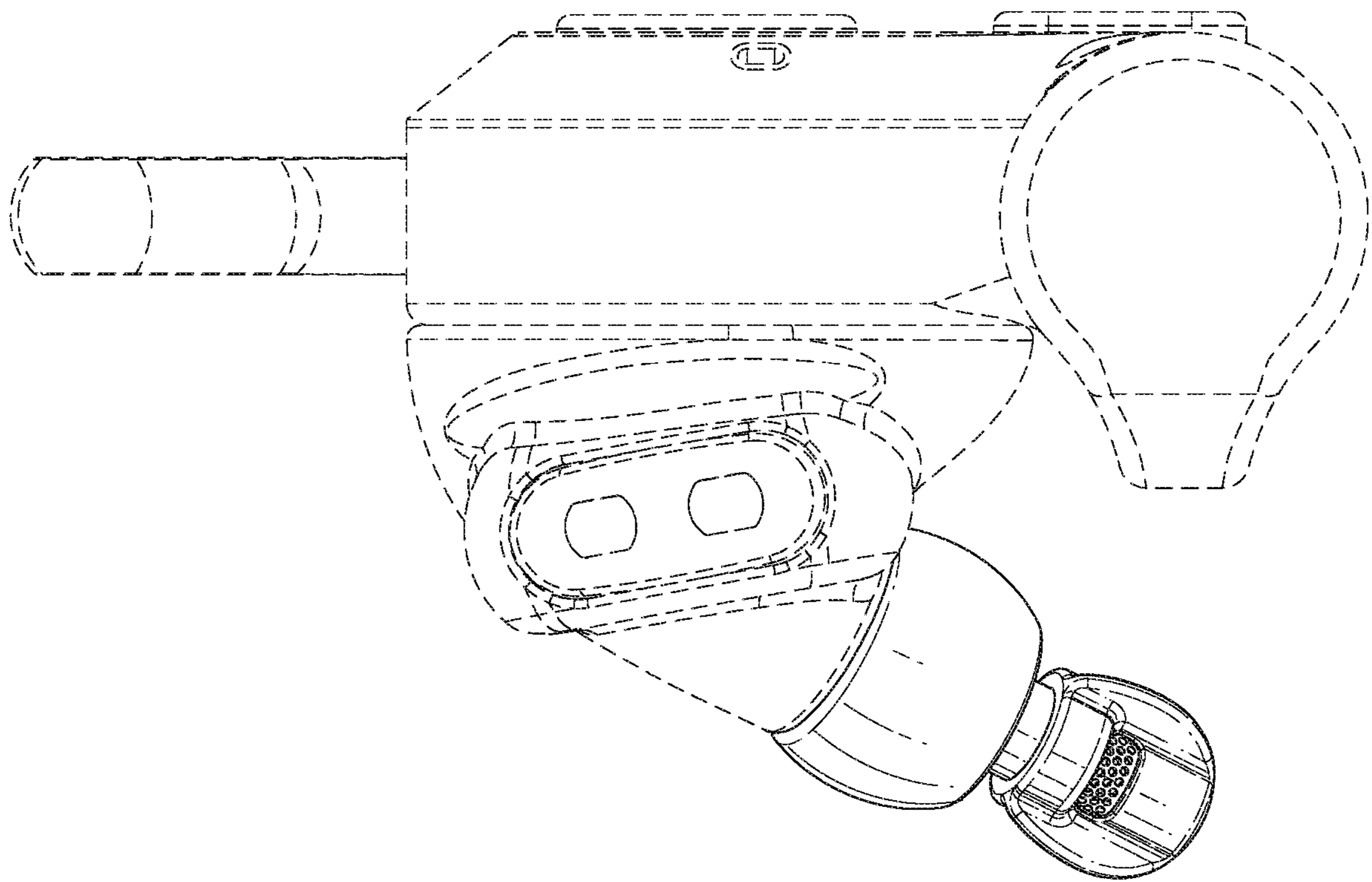


**FIG. 6**





*FIG. 7*



*FIG. 8*