



US00D895810S

(12) **United States Design Patent**
Allespach

(10) **Patent No.:** **US D895,810 S**

(45) **Date of Patent:** **** Sep. 8, 2020**

(54) **SURGICAL SADDLE**
(71) Applicant: **University of Miami**, Miami, FL (US)
(72) Inventor: **Heidi Allespach**, Miami, FL (US)
(73) Assignee: **University of Miami**, Miami, FL (US)

(**) Term: **15 Years**

(21) Appl. No.: **29/672,591**

(22) Filed: **Dec. 6, 2018**

(51) **LOC (12) Cl.** **24-02**

(52) **U.S. Cl.**
USPC **D24/183**

(58) **Field of Classification Search**
USPC D24/158-172, 176-179, 183-186
CPC A61G 13/12; A61G 13/0054
See application file for complete search history.

(56) **References Cited**

U.S. PATENT DOCUMENTS

4,398,707 A * 8/1983 Cloward A61G 13/12
5/621
4,662,361 A * 5/1987 Patterson A61G 15/007
128/845
5,961,179 A * 10/1999 Dixon A47B 21/00
297/173

D663,427 S * 7/2012 Sharps D24/184
D683,032 S * 5/2013 Sharps D24/184
D721,179 S * 1/2015 Matsuda D24/183
D812,759 S * 3/2018 Sekine D24/172
D847,345 S * 4/2019 Iliffe-Moon D24/172
2002/0067060 A1* 6/2002 Lloyd A47C 9/005
297/195.11

* cited by examiner

Primary Examiner — Susan Bennett Hattan
Assistant Examiner — Omeed Agilee
(74) *Attorney, Agent, or Firm* — Procopio, Cory,
Hargreaves & Savitch LLP

(57) **CLAIM**

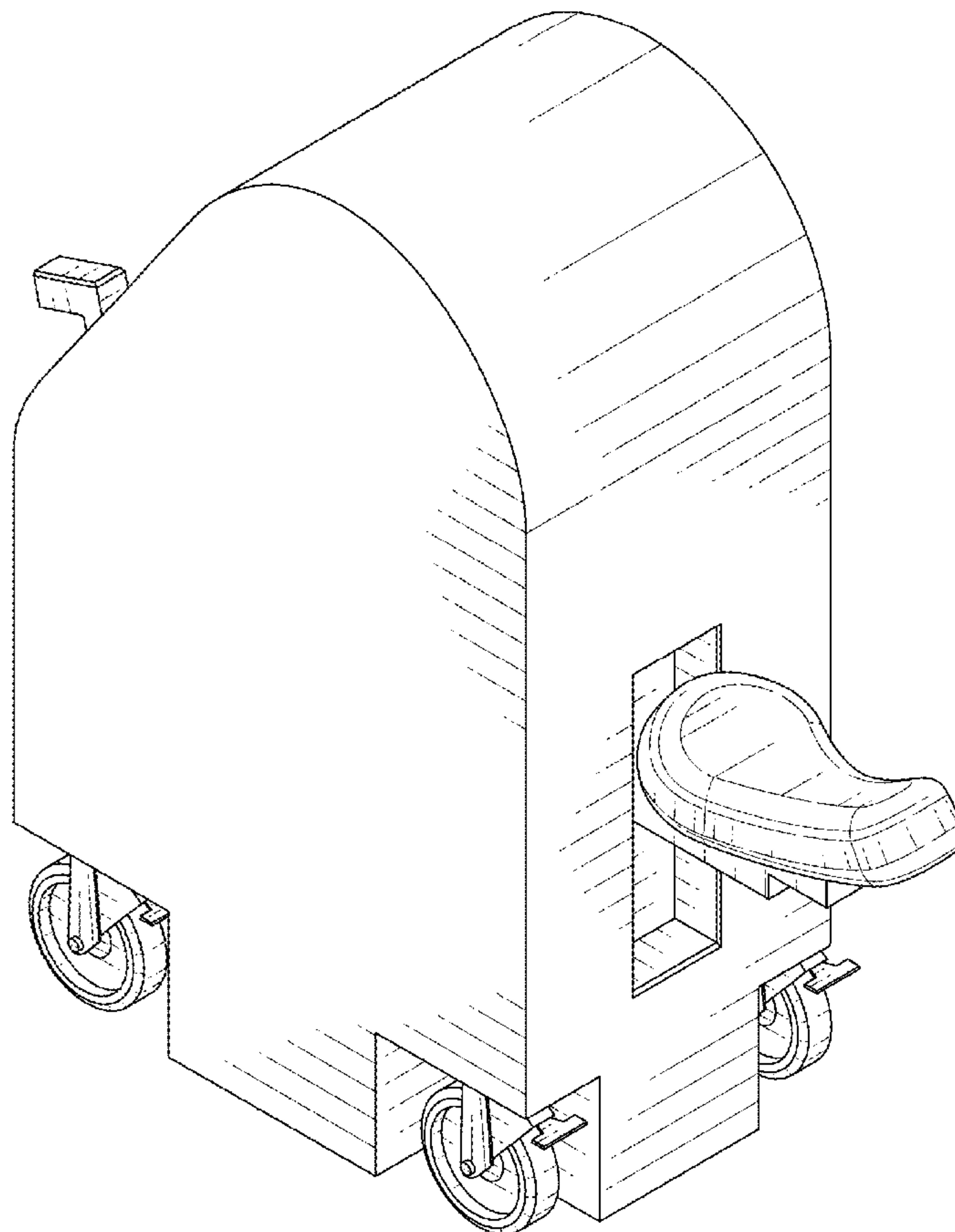
The ornamental design for a surgical saddle, as shown and described.

DESCRIPTION

FIG. 1 is an isometric perspective of a surgical saddle showing my new design
FIG. 2 is a right side view thereof;
FIG. 3 is a front view thereof;
FIG. 4 is a back view thereof;
FIG. 5 is top view thereof; and,
FIG. 6 is a bottom view thereof.

The dashed lines depict portions of the surgical saddle that form no part of the claimed design. The dot-dash-dot broken lines in the drawings depict boundaries of the claimed design and form no part thereof.

1 Claim, 6 Drawing Sheets



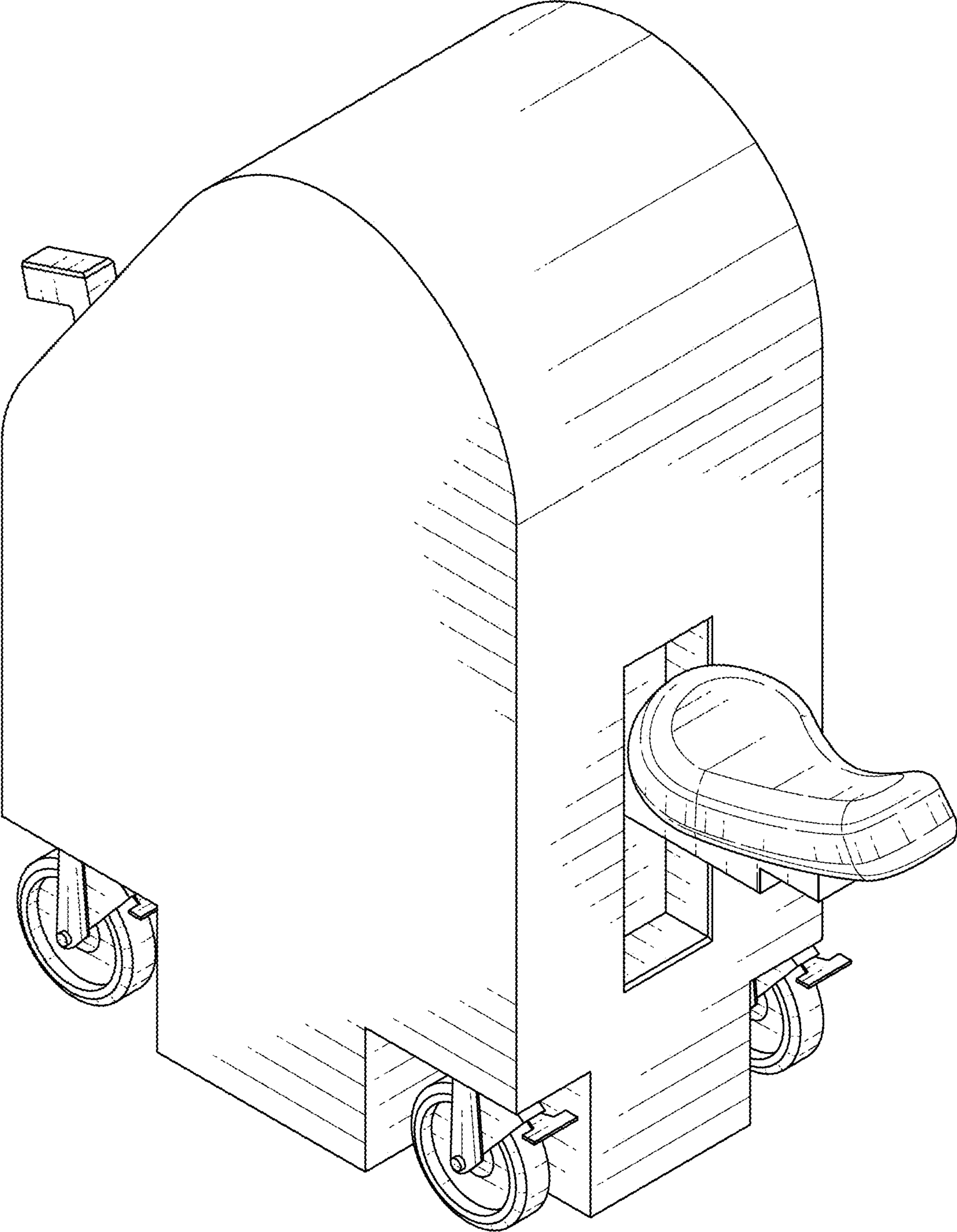


Fig. 1

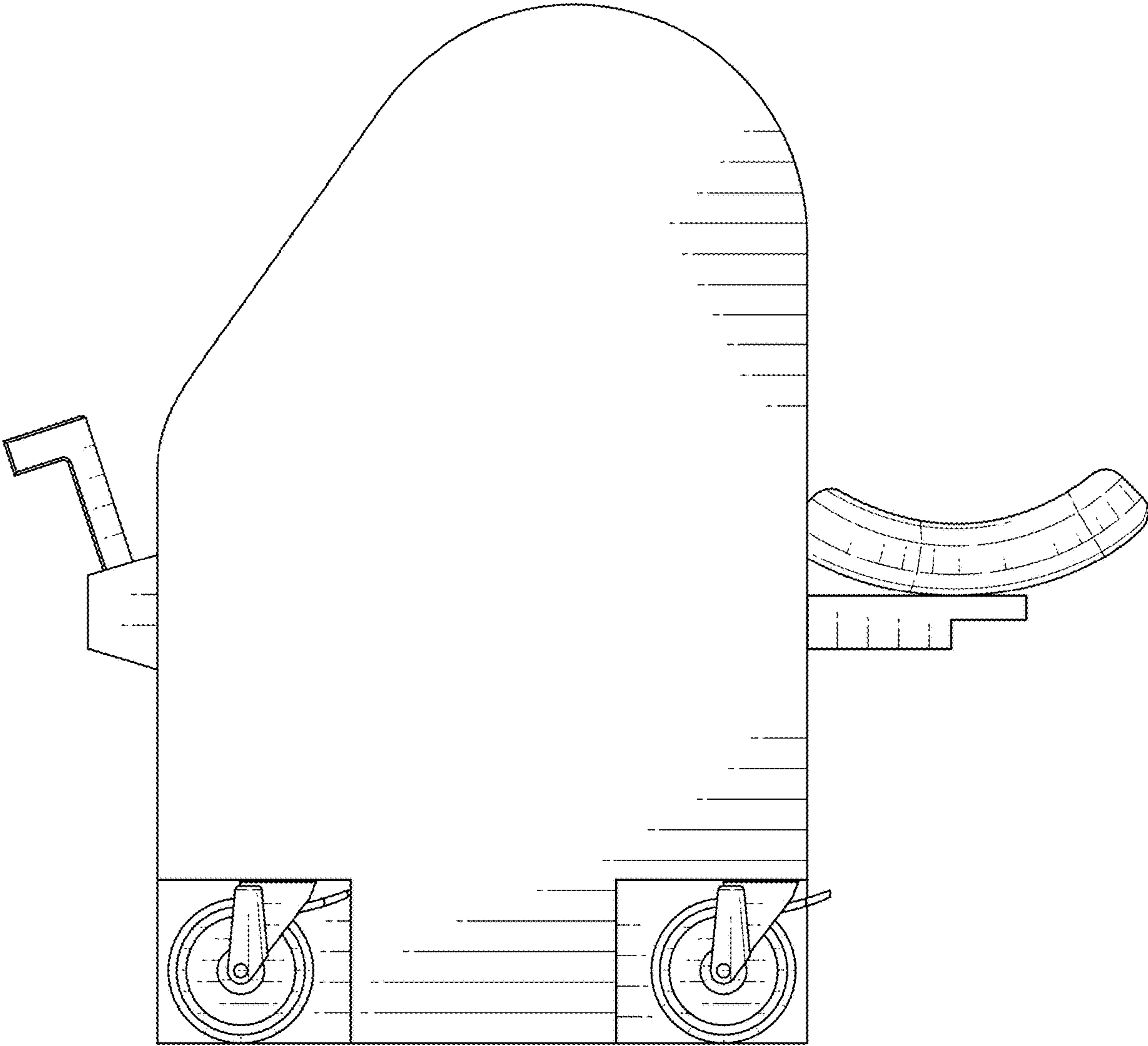


Fig. 2

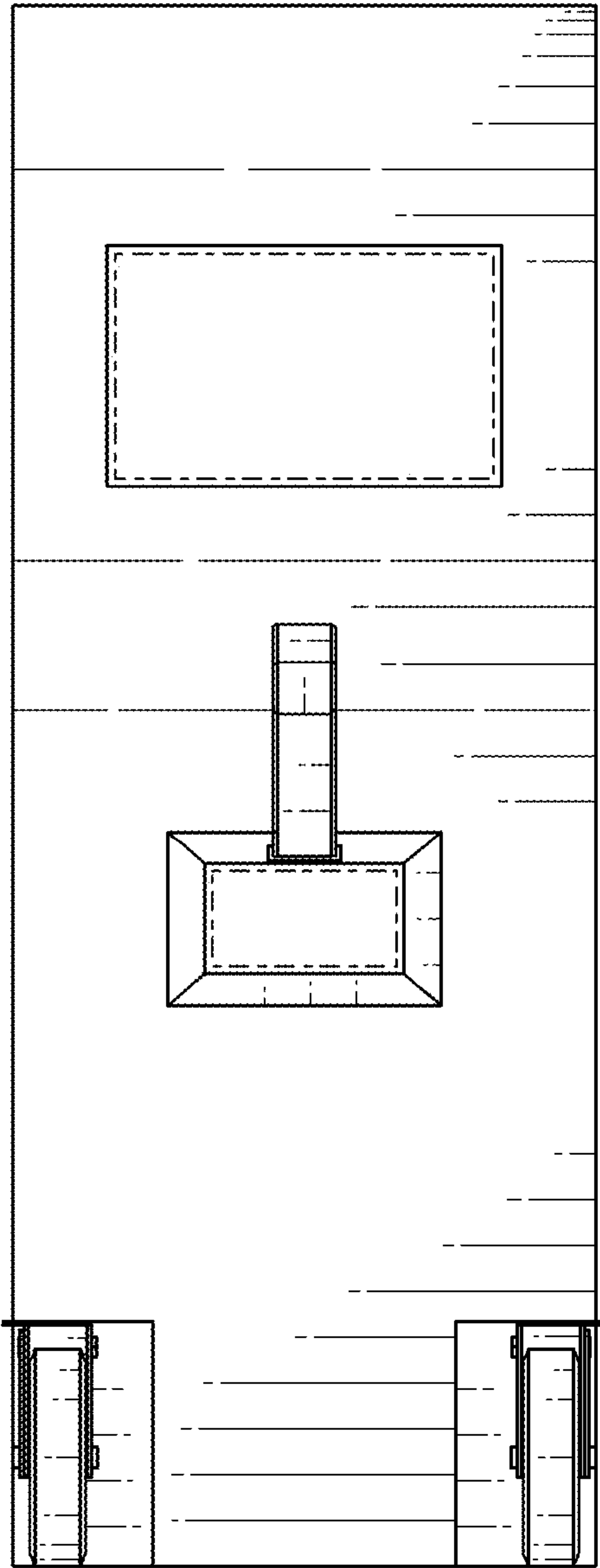


Fig. 3

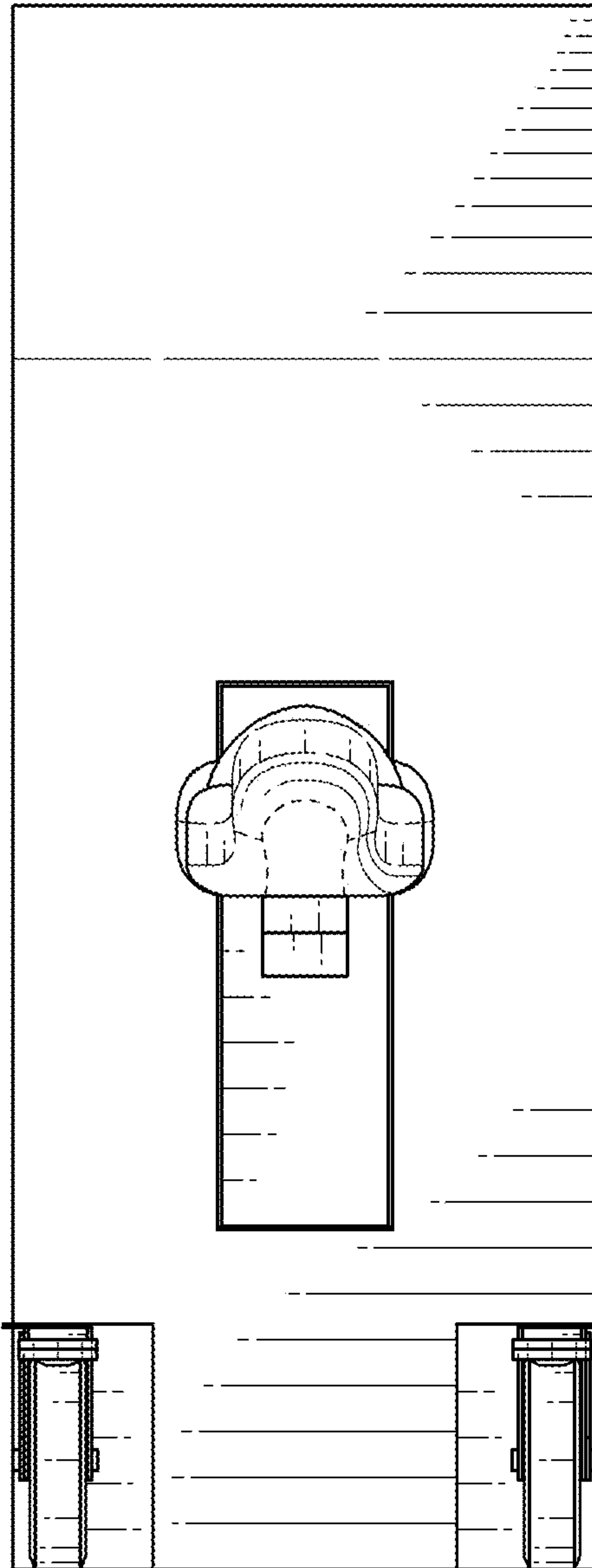


Fig. 4

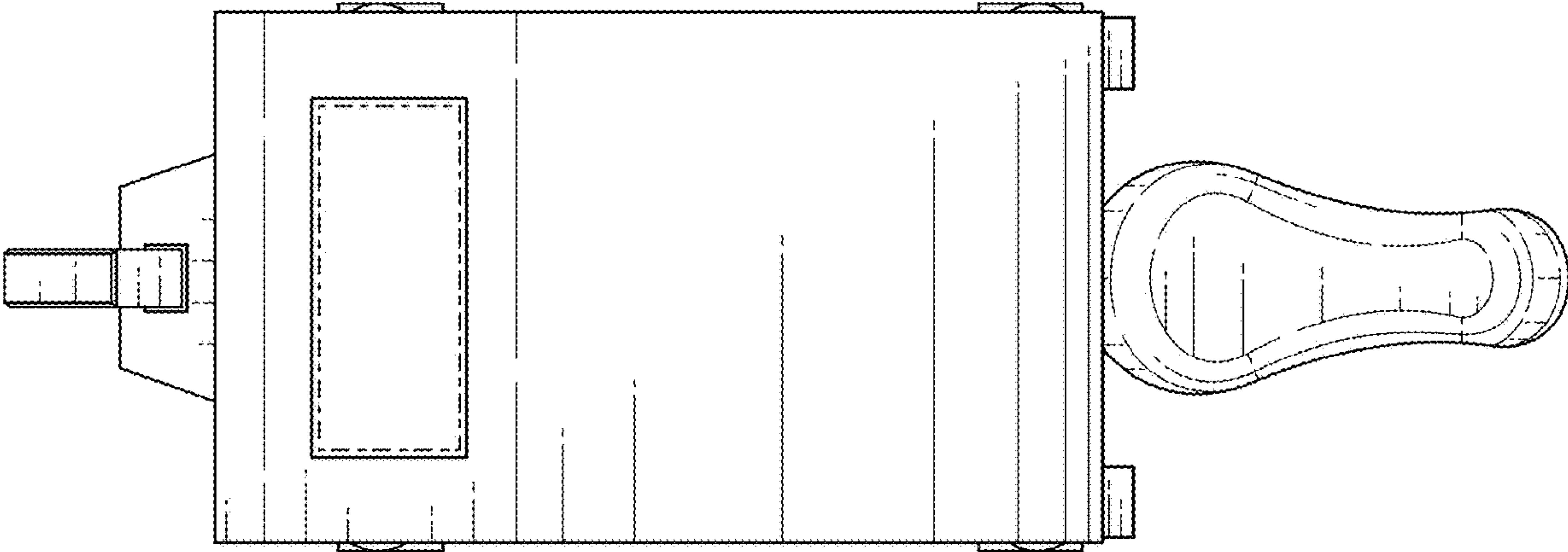


Fig. 5

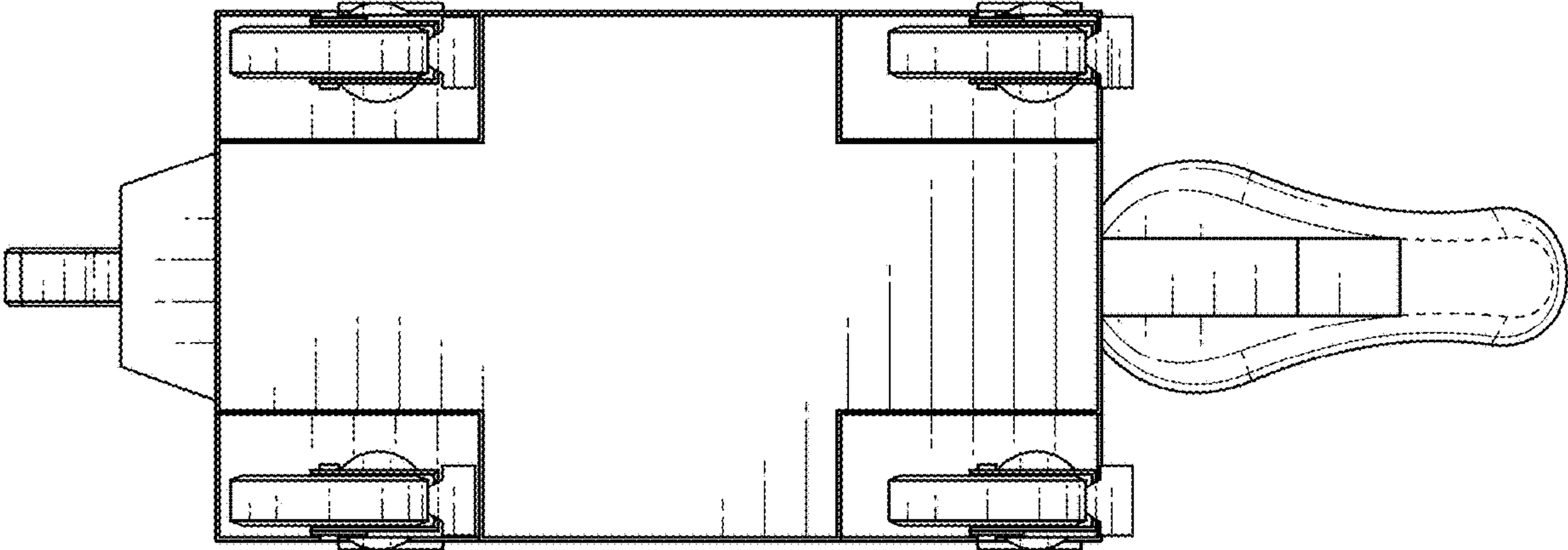


Fig. 6