



US00D895809S

(12) **United States Design Patent** (10) **Patent No.:** **US D895,809 S**  
**Morreale et al.** (45) **Date of Patent:** **\*\* Sep. 8, 2020**

(54) **MAGNETIC RESONANCE IMAGING (MRI) PATIENT TRANSPORTER**

D820,453 S \* 6/2018 Personelli ..... D24/159  
D829,913 S \* 10/2018 Kitayama ..... D24/159  
D844,789 S \* 4/2019 Hetz ..... D24/183  
D855,185 S \* 7/2019 Chang ..... D24/159  
2014/0303477 A1\* 10/2014 Sunazuka ..... A61B 5/0555  
600/407

(71) Applicant: **SYNAPTIVE MEDICAL (BARBADOS) INC.**, Bridgetown (BB)

(72) Inventors: **Mark Tullio Morreale**, Toronto (CA); **William Wai-Leung Lau**, Toronto (CA); **Daniel Gavin Harrison**, Toronto (CA)

(73) Assignee: **SYNAPTIVE MEDICAL (BARBADOS) INC.**, Bridgetown (BB)

(\*\*) Term: **15 Years**

(21) Appl. No.: **29/654,653**

(22) Filed: **Jun. 26, 2018**

**Related U.S. Application Data**

(63) Continuation-in-part of application No. 29/577,556, filed on Sep. 14, 2016, now abandoned.

(51) **LOC (12) Cl.** ..... **24-02**

(52) **U.S. Cl.**  
USPC ..... **D24/183**

(58) **Field of Classification Search**  
USPC ..... D24/159, 183-184, 200; D6/595-596, D6/601, 604-605, 336-337  
CPC ..... A61B 6/04; A61B 6/0407; A61F 5/3723  
See application file for complete search history.

(56) **References Cited**

**U.S. PATENT DOCUMENTS**

D553,246 S \* 10/2007 Banryu ..... D24/183  
D681,208 S \* 4/2013 Ninomiya ..... D24/159  
D701,605 S \* 3/2014 Ohmukai ..... D24/183  
D770,049 S \* 10/2016 Yanagihara ..... D24/159  
D774,195 S \* 12/2016 Ramos ..... D24/183

**OTHER PUBLICATIONS**

Magnetom RT Pro Edition. Online, published date unknown. Retrieved on Aug. 11, 2019 from URL: <https://www.siemens-healthineers.com/magnetic-resonance-imaging/mri-guided-therapy/magnetom-rt-pro-edition>.\*

Synaptive. Online, published date unknown. Retrieved on Aug. 11, 2019 from URL: <https://www.synaptivemedical.com/products/>.\*

\* cited by examiner

*Primary Examiner* — Susan Bennett Hattan

*Assistant Examiner* — Omeed Agilee

(74) *Attorney, Agent, or Firm* — Perry + Currier Inc.

(57) **CLAIM**

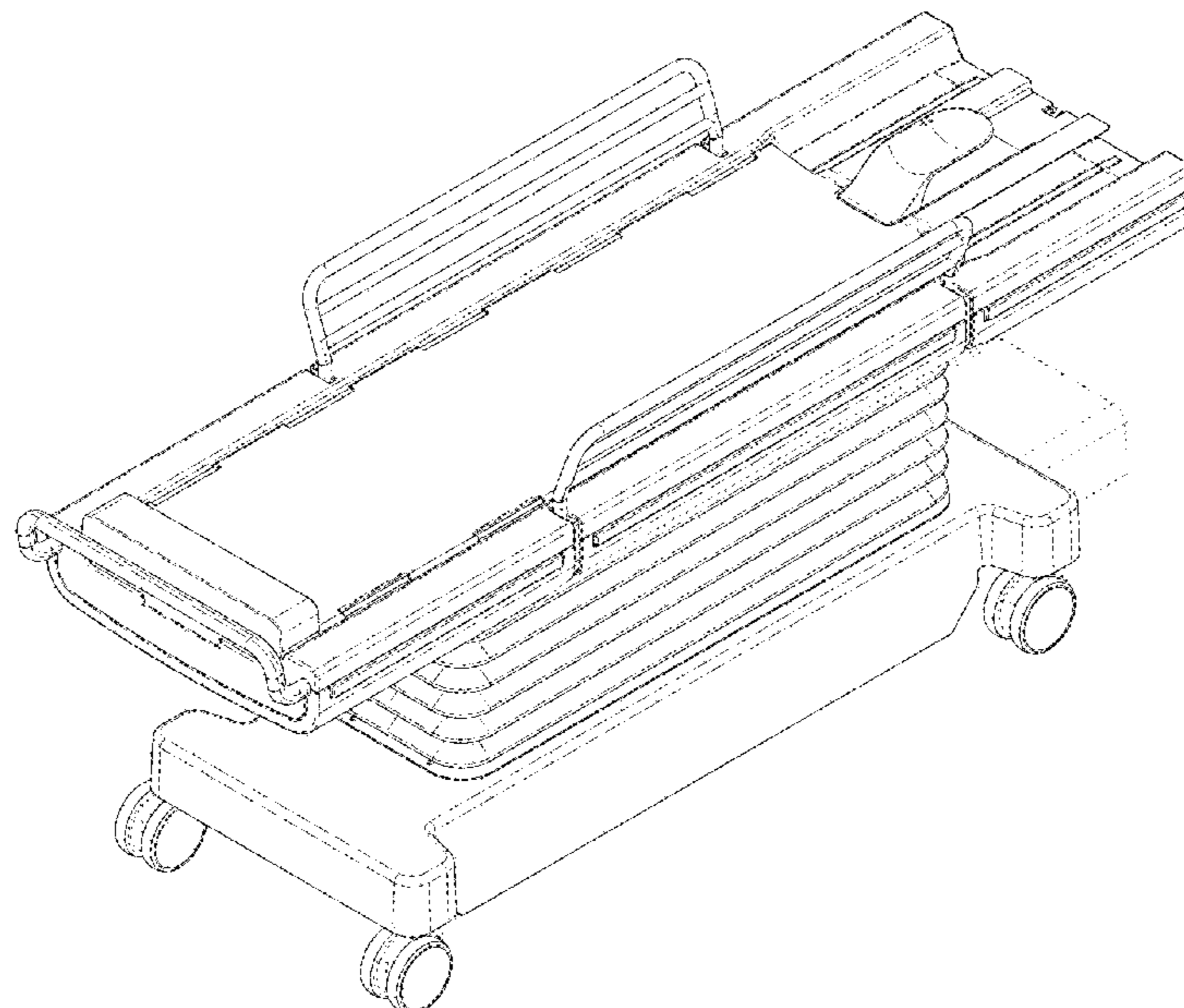
We claim the ornamental design for a magnetic resonance imaging (MRI) patient transporter, as shown and described.

**DESCRIPTION**

FIG. 1 is a front perspective view of a magnetic resonance imaging (MRI) patient transporter, showing our new design; FIG. 2 is a front elevation view thereof; FIG. 3 is a rear elevation view thereof; FIG. 4 is a top plan view thereof; FIG. 5 is a bottom plan view thereof; FIG. 6 is a left side elevation view thereof; and, FIG. 7 is a right elevation view thereof.

The broken lines in the drawings depict portions of the magnetic resonance imaging (MRI) patient transporter that form no part of the claimed design.

**1 Claim, 6 Drawing Sheets**



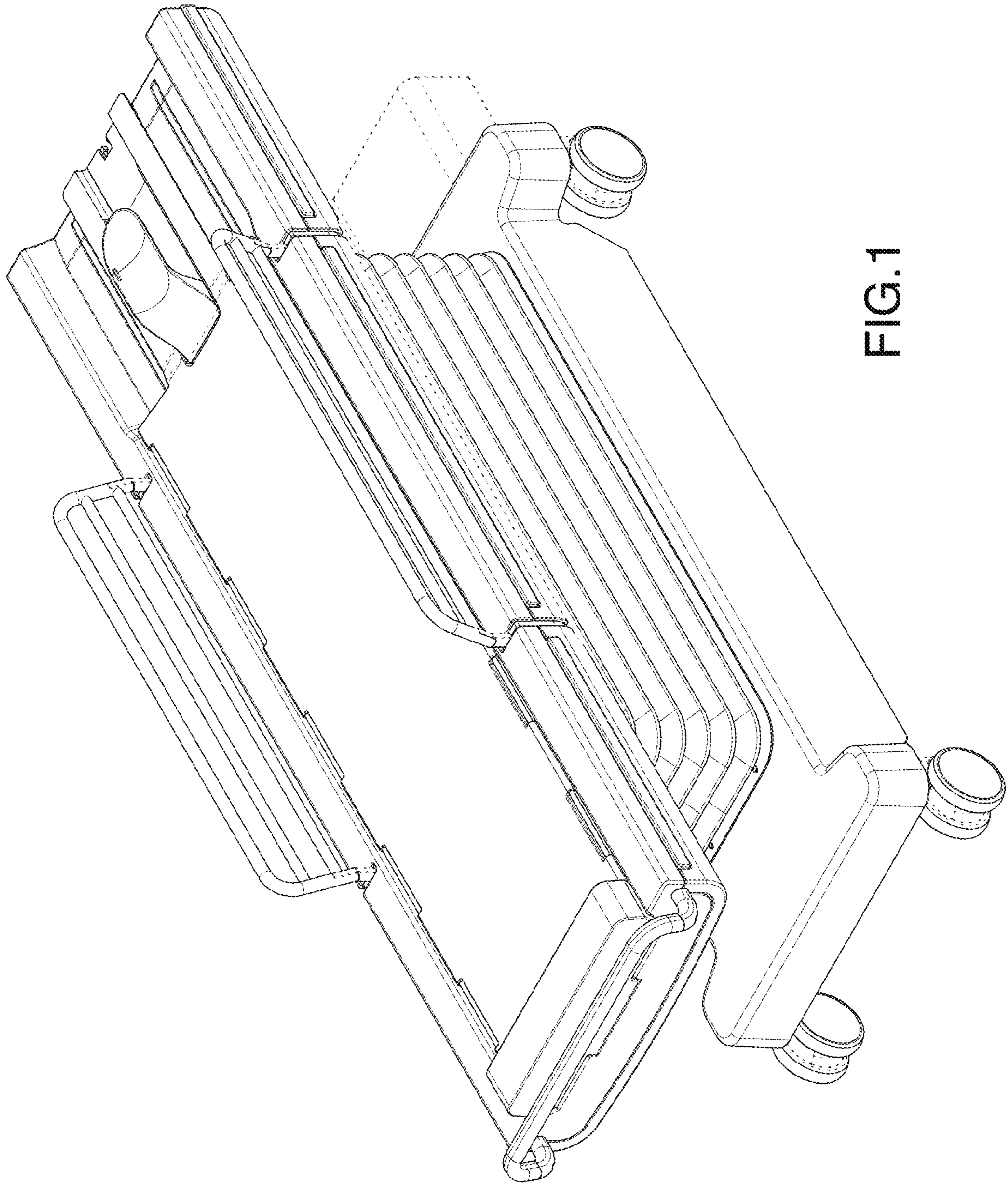


FIG.1

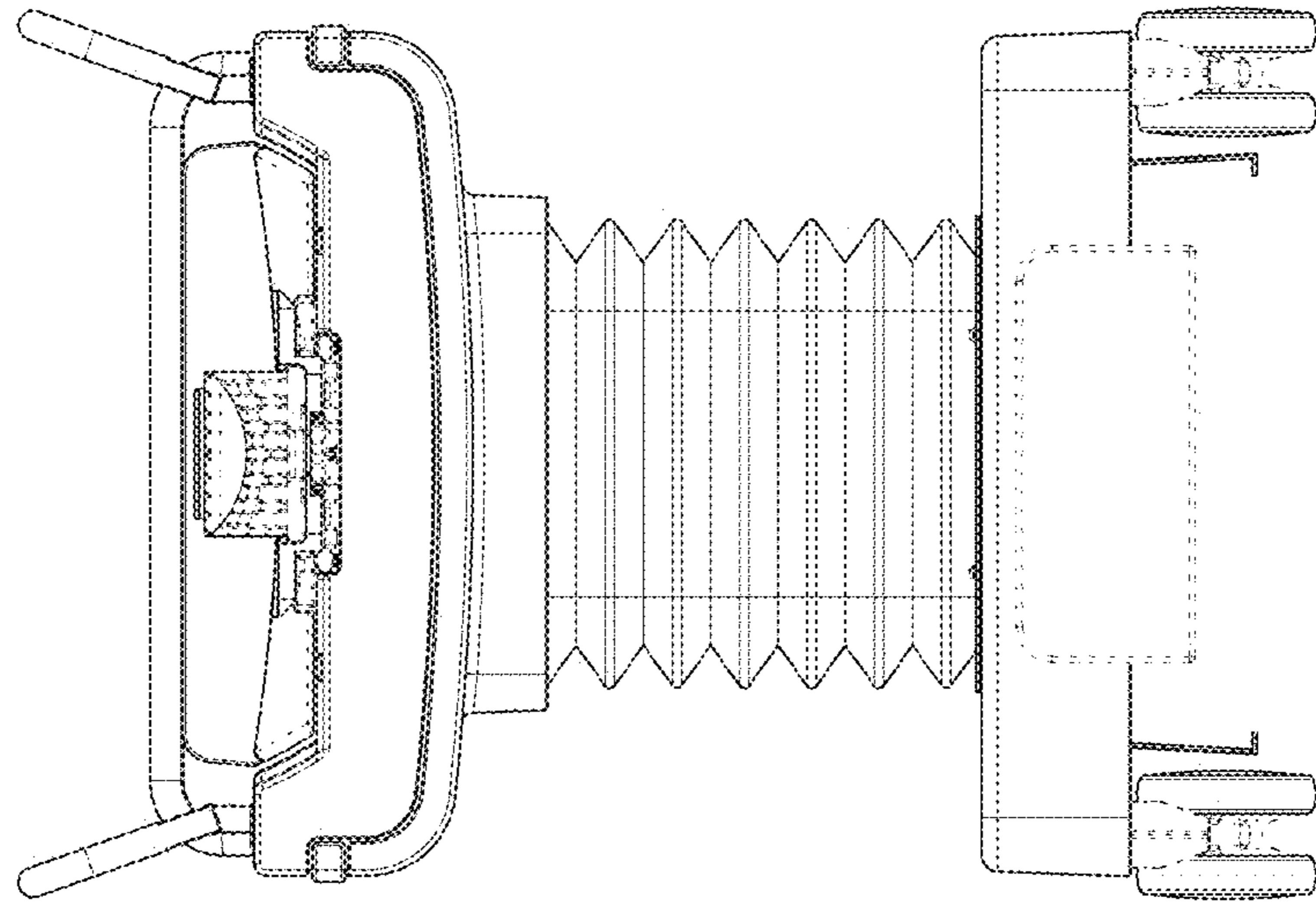


FIG.3

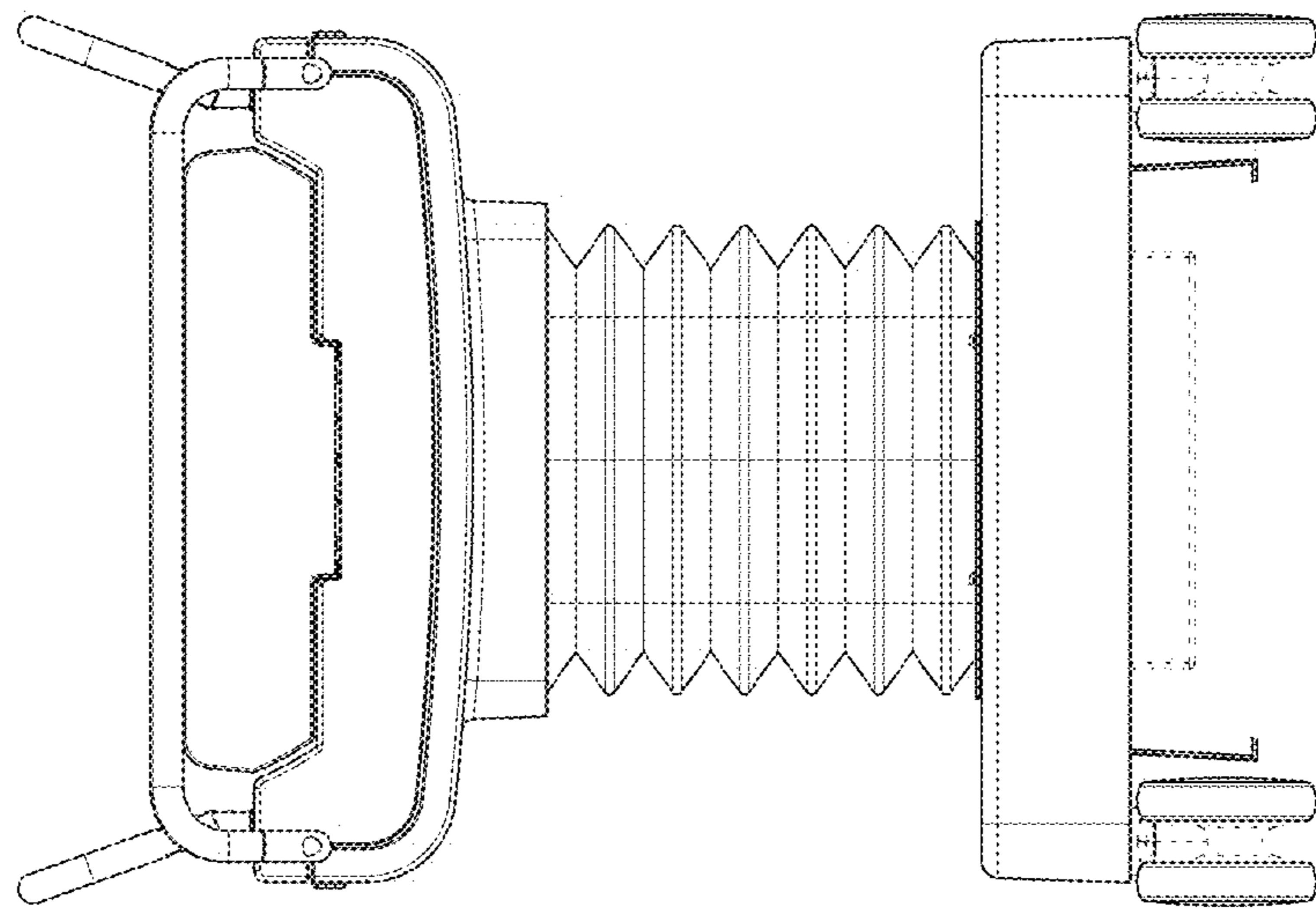


FIG.2

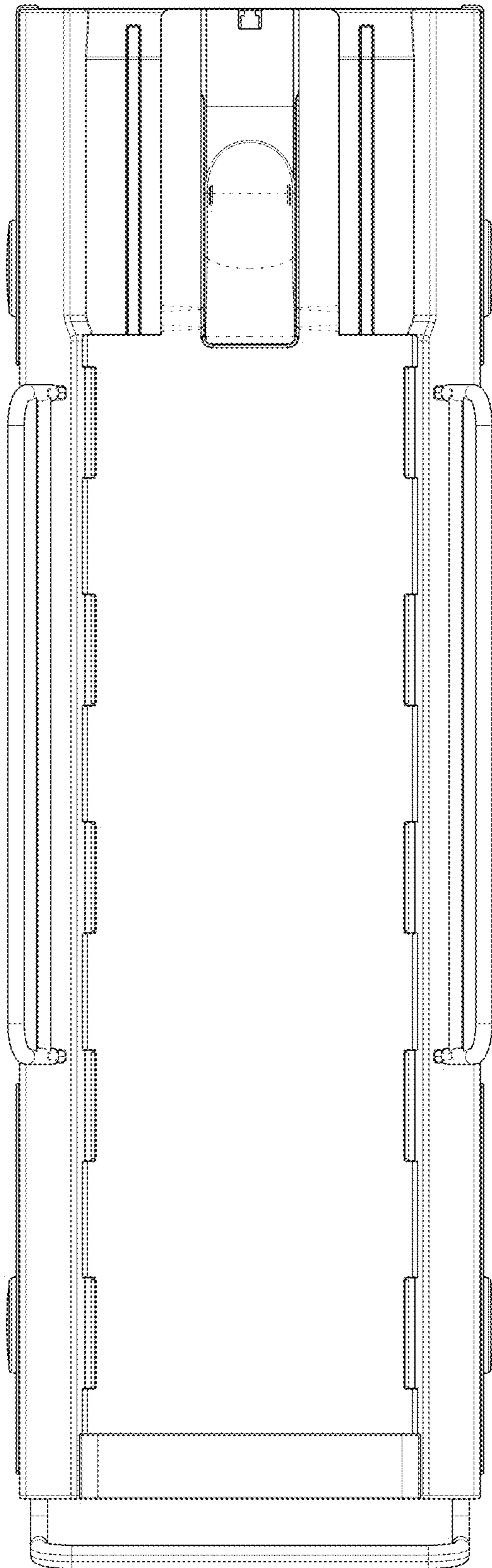


FIG.4

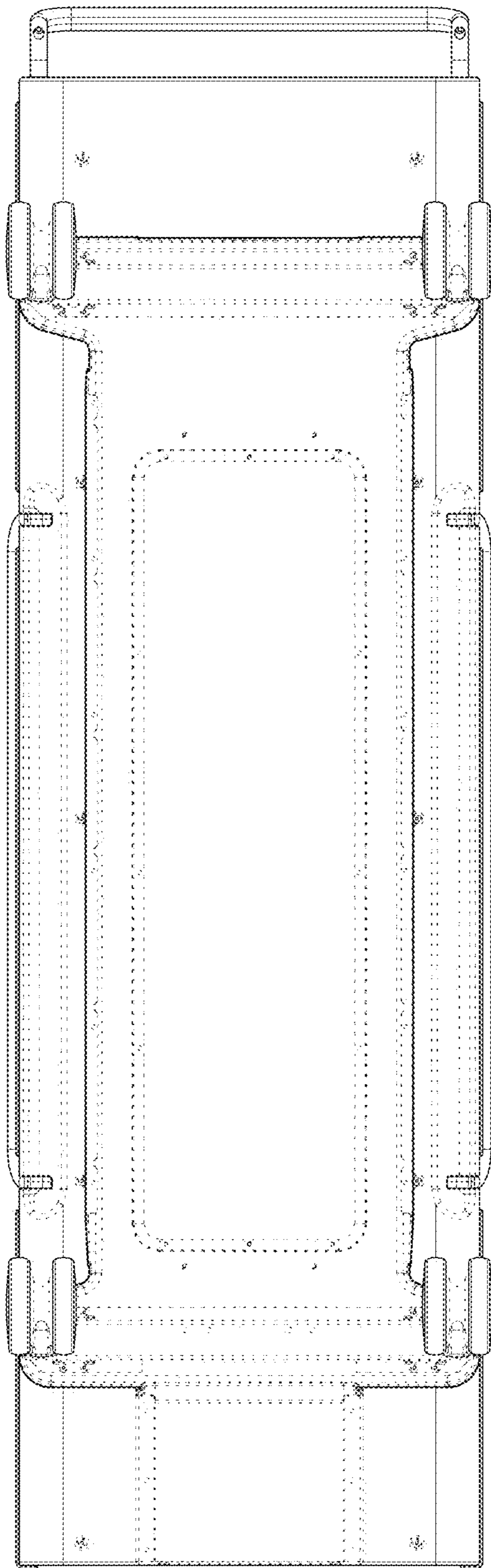


FIG.5

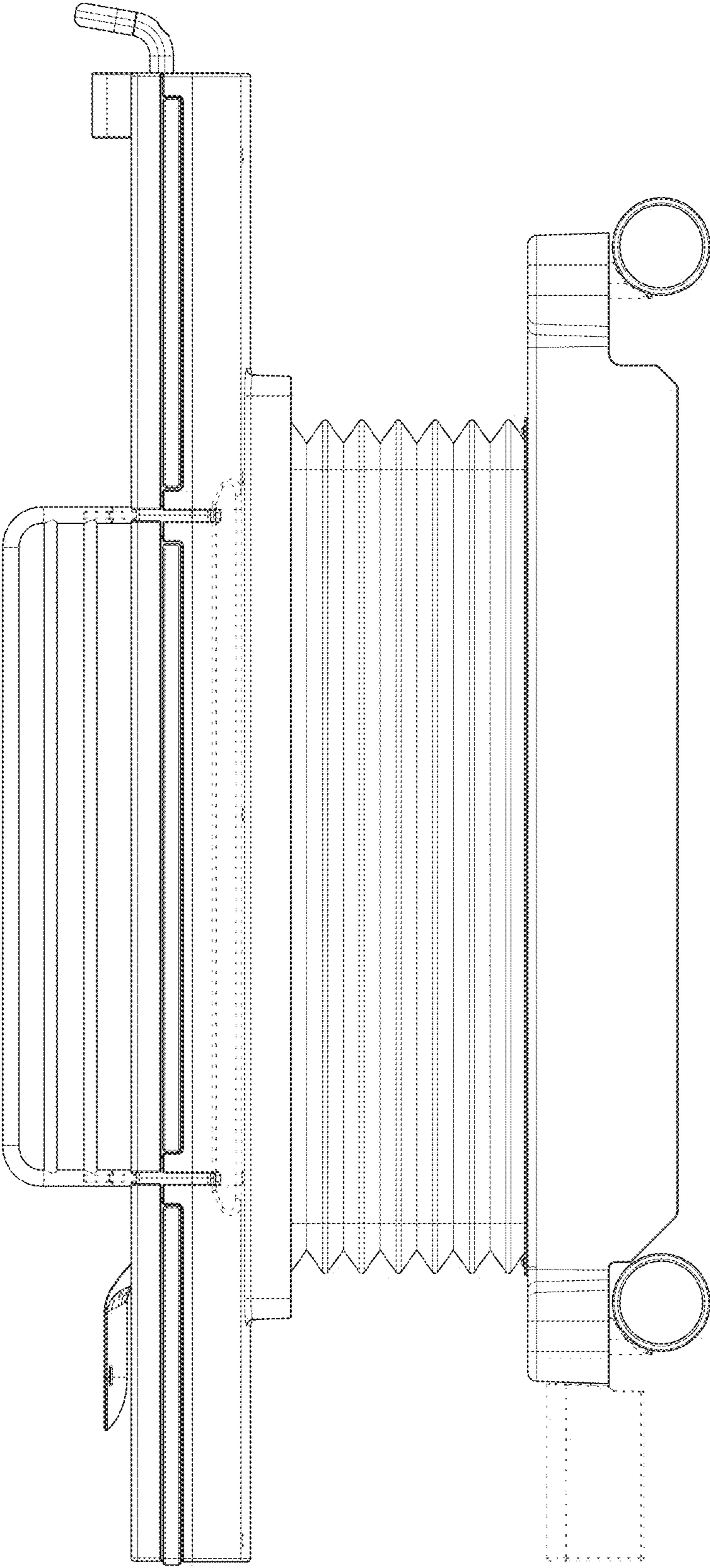


FIG.6

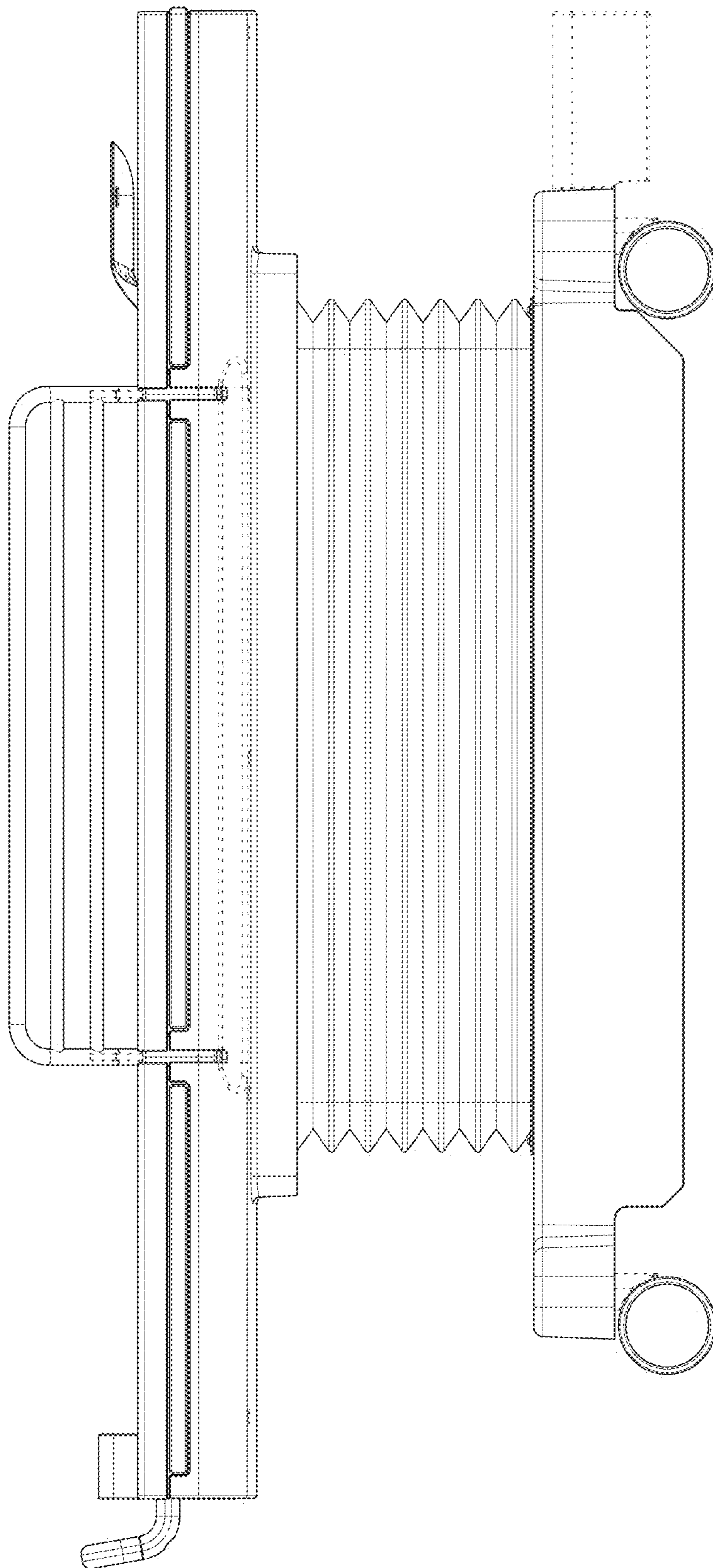


FIG.7