



US00D895808S

(12) **United States Design Patent** (10) **Patent No.:** **US D895,808 S**  
**Li** (45) **Date of Patent:** **\*\* Sep. 8, 2020**

(54) **TEETH WHITENING LIGHT**

(71) Applicant: **LLRN PERSONAL CARE(SHENZHEN)CO., LTD,**  
Shenzhen (CN)

(72) Inventor: **Jin Li,** Chizhou (CN)

(\*\*) Term: **15 Years**

(21) Appl. No.: **29/692,584**

(22) Filed: **May 28, 2019**

(51) **LOC (12) Cl.** ..... **24-02**

(52) **U.S. Cl.**  
USPC ..... **D24/176**

(58) **Field of Classification Search**  
USPC ..... D24/176, 178, 180-182, 108; D29/108;  
433/29, 215  
CPC ..... A61C 19/06; A61C 19/063; A61C 19/066;  
A61N 5/06; A61N 5/0603; A61N  
2005/0606

See application file for complete search history.

(56) **References Cited**

**U.S. PATENT DOCUMENTS**

8,940,033 B2 \* 1/2015 Dwyer ..... A61C 19/066  
607/88  
9,901,744 B2 \* 2/2018 Demarest ..... A61C 19/066  
D849,956 S \* 5/2019 Demarest ..... D24/181  
D864,399 S \* 10/2019 Qin ..... D24/176  
D867,598 S \* 11/2019 Qin ..... D24/176

2017/0173353 A1 \* 6/2017 Demarest ..... A61N 5/0603  
2019/0314639 A1 \* 10/2019 Demarest ..... A61N 5/0603  
2020/0114165 A1 \* 4/2020 Bloch ..... A61C 19/066

**FOREIGN PATENT DOCUMENTS**

CN 303096701 \* 8/2014  
CN 303114869 \* 8/2014  
CN 305237682 \* 1/2019

\* cited by examiner

*Primary Examiner* — Wan Laymon

(74) *Attorney, Agent, or Firm* — ZANIP

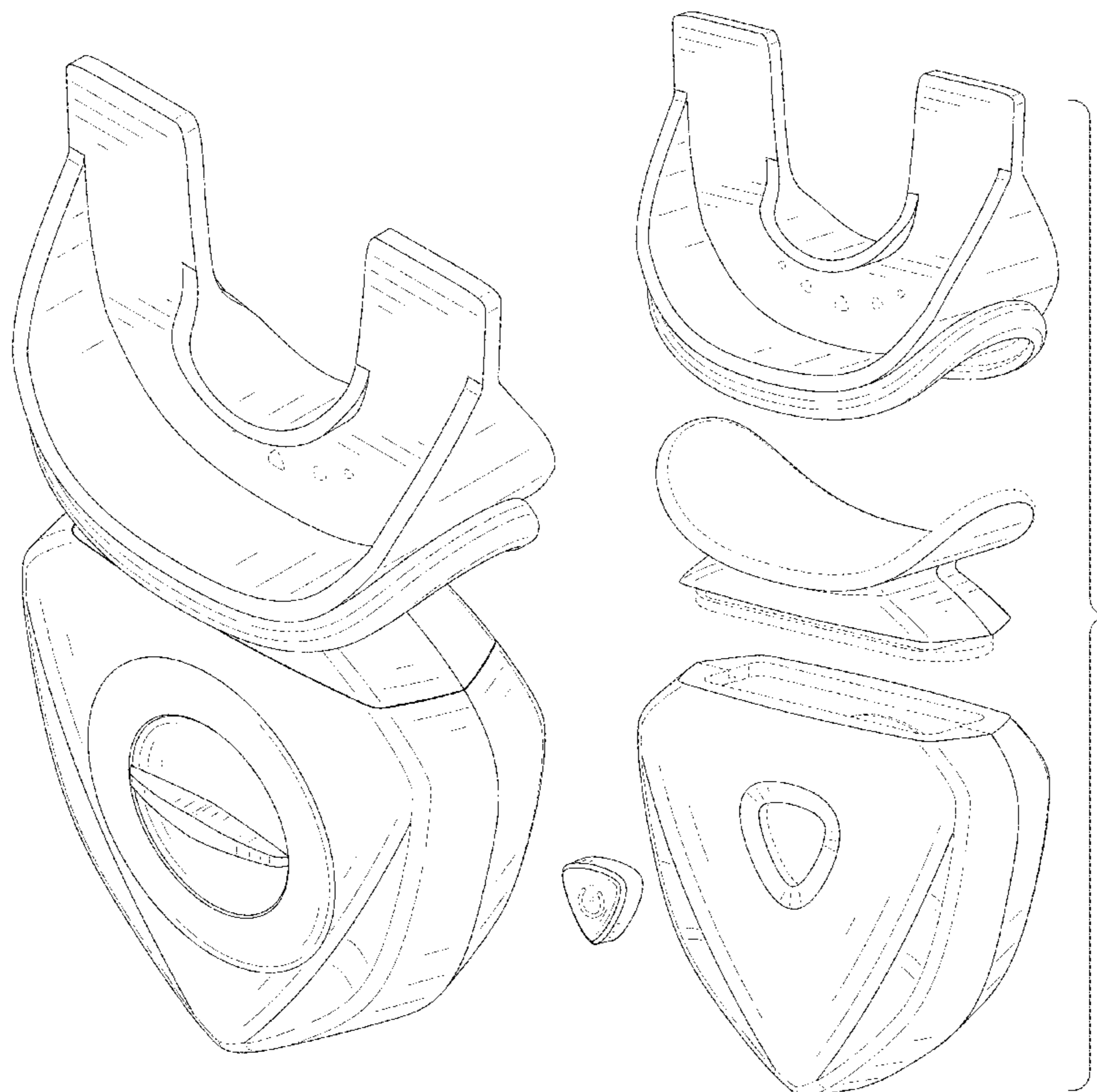
(57) **CLAIM**

The ornamental design for a teeth whitening light, as shown and described.

**DESCRIPTION**

FIG. 1 is a front perspective view of a teeth whitening light showing my design;  
FIG. 2 is a back perspective view thereof;  
FIG. 3 is a front view thereof;  
FIG. 4 is a back view thereof;  
FIG. 5 is a left side view thereof;  
FIG. 6 is a right side view thereof;  
FIG. 7 is a top view thereof;  
FIG. 8 is a bottom view thereof; and,  
FIG. 9 is a front exploded perspective view thereof.  
The broken lines shown in the drawings depict portions of the teeth whitening light in which the design is embodied that form no part of the claimed design.

**1 Claim, 9 Drawing Sheets**



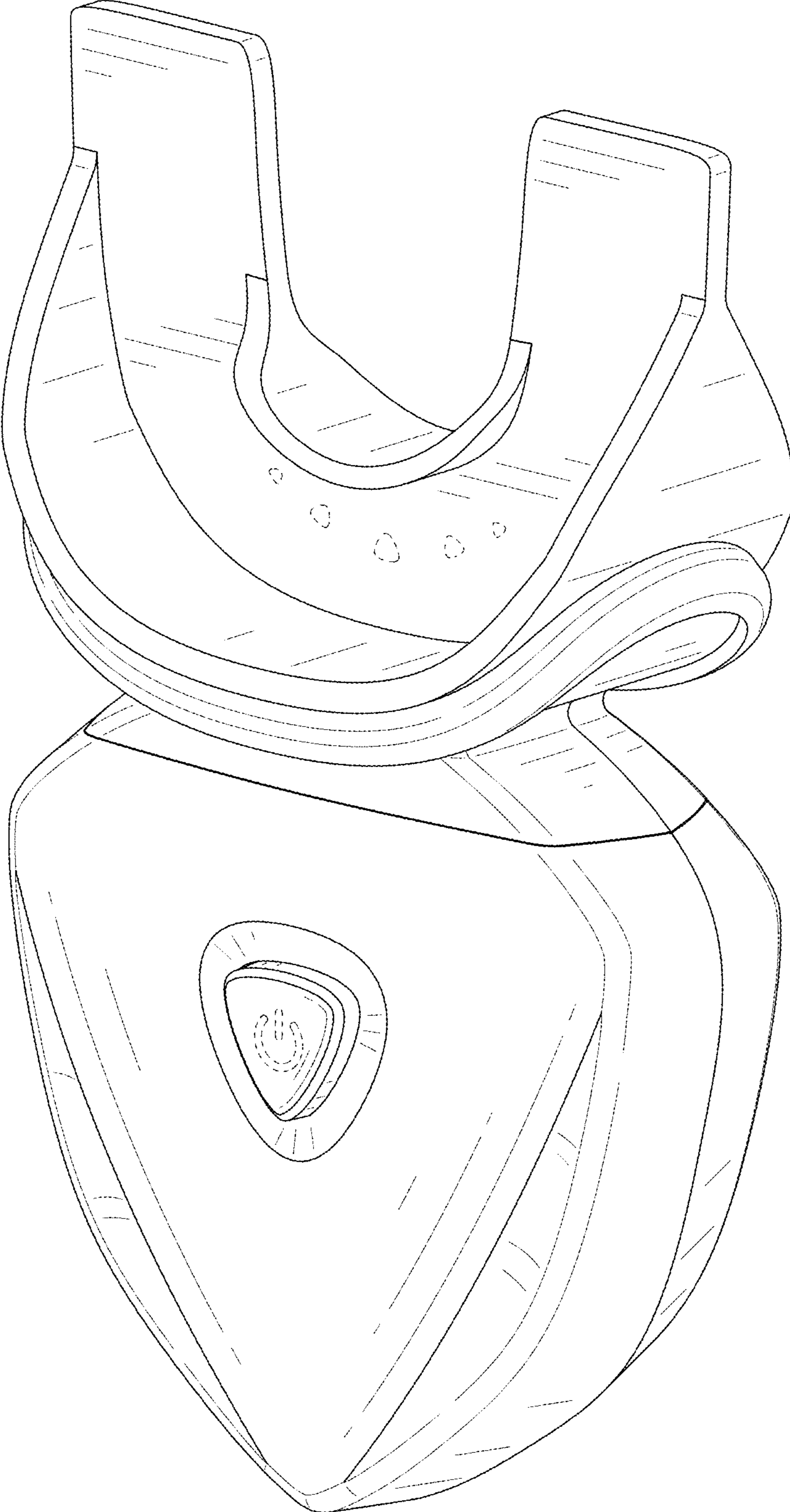


FIG. 1

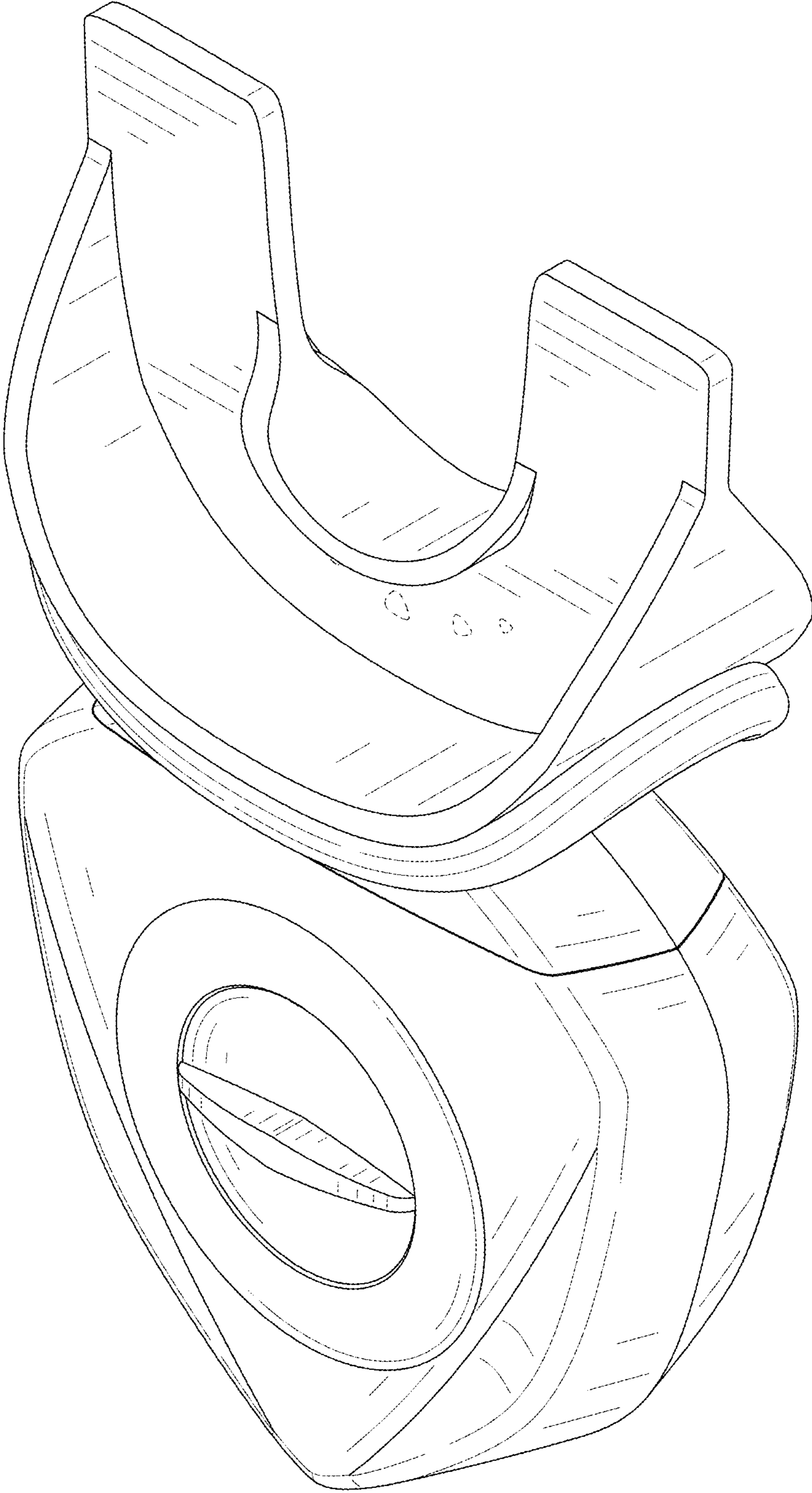


FIG. 2



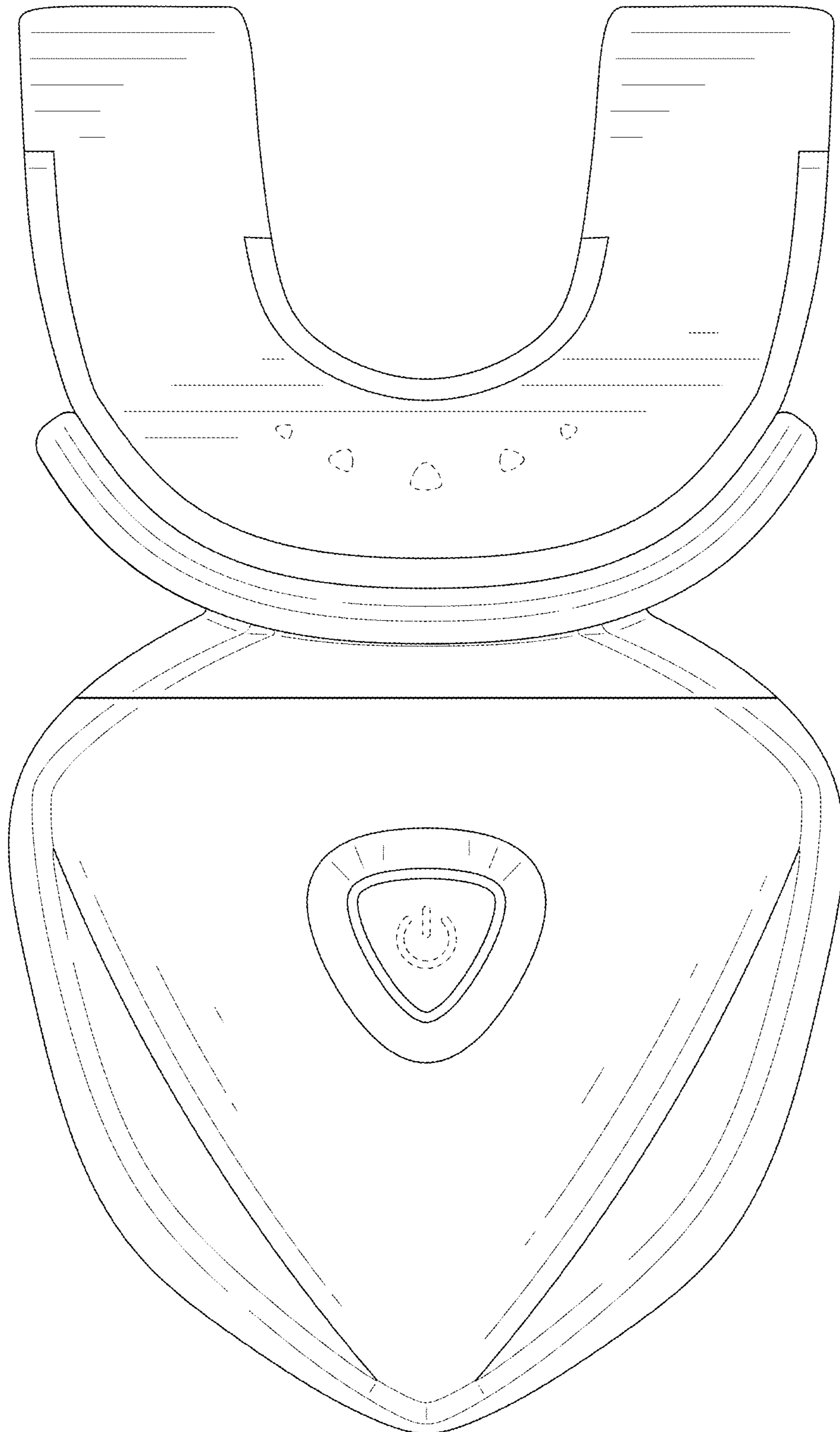


FIG. 3

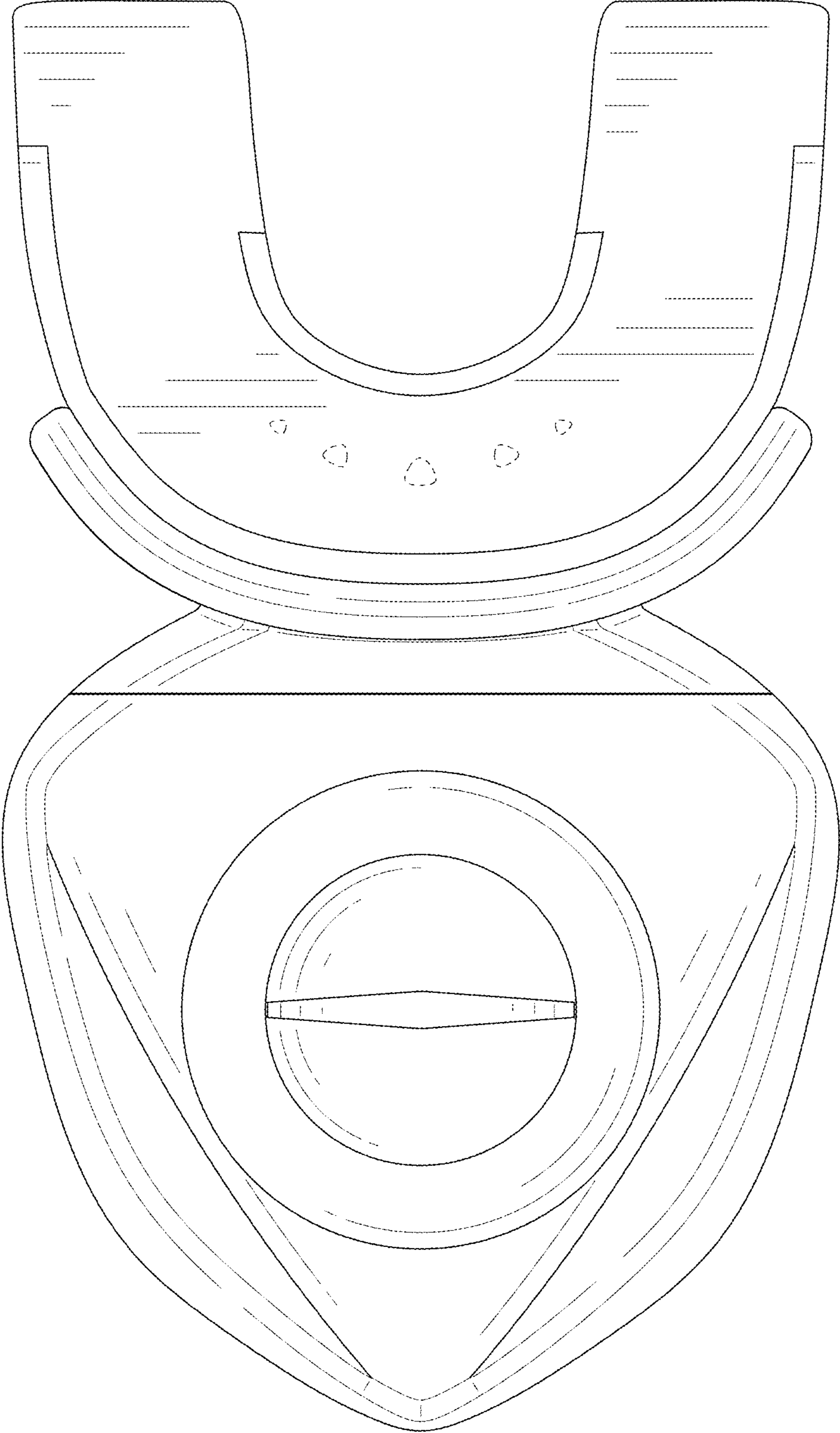


FIG. 4

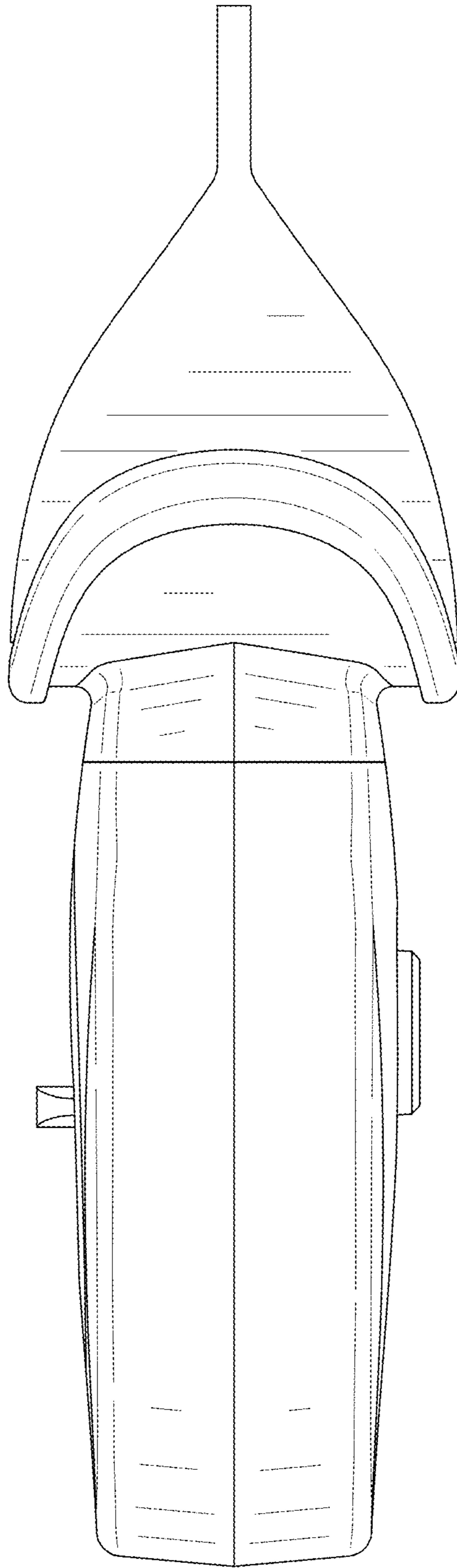


FIG. 5

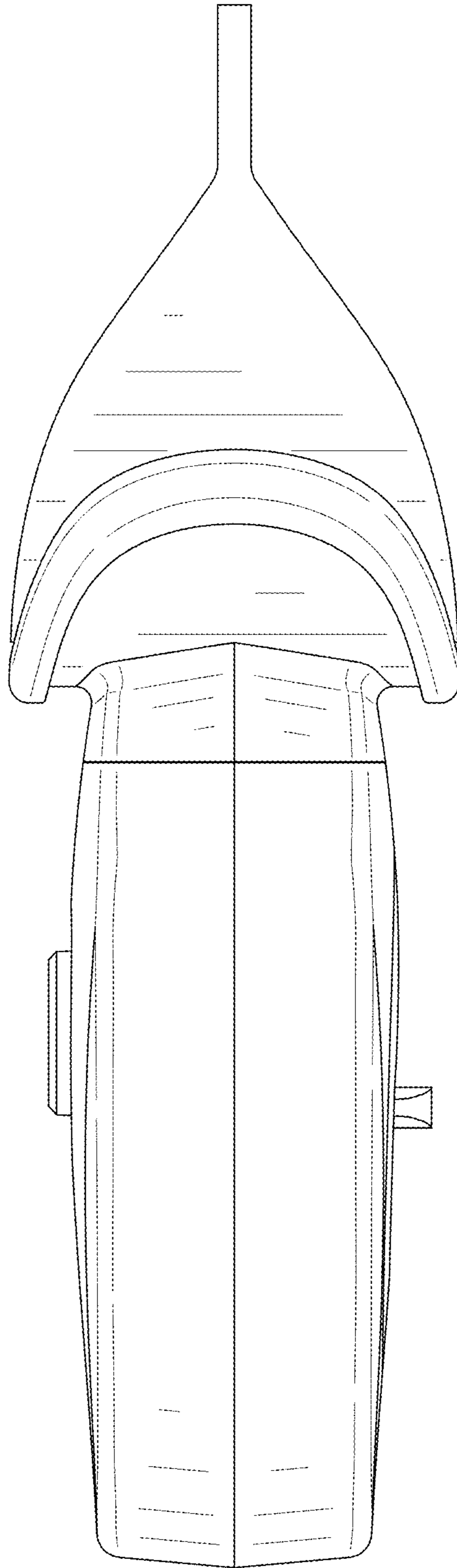


FIG. 6

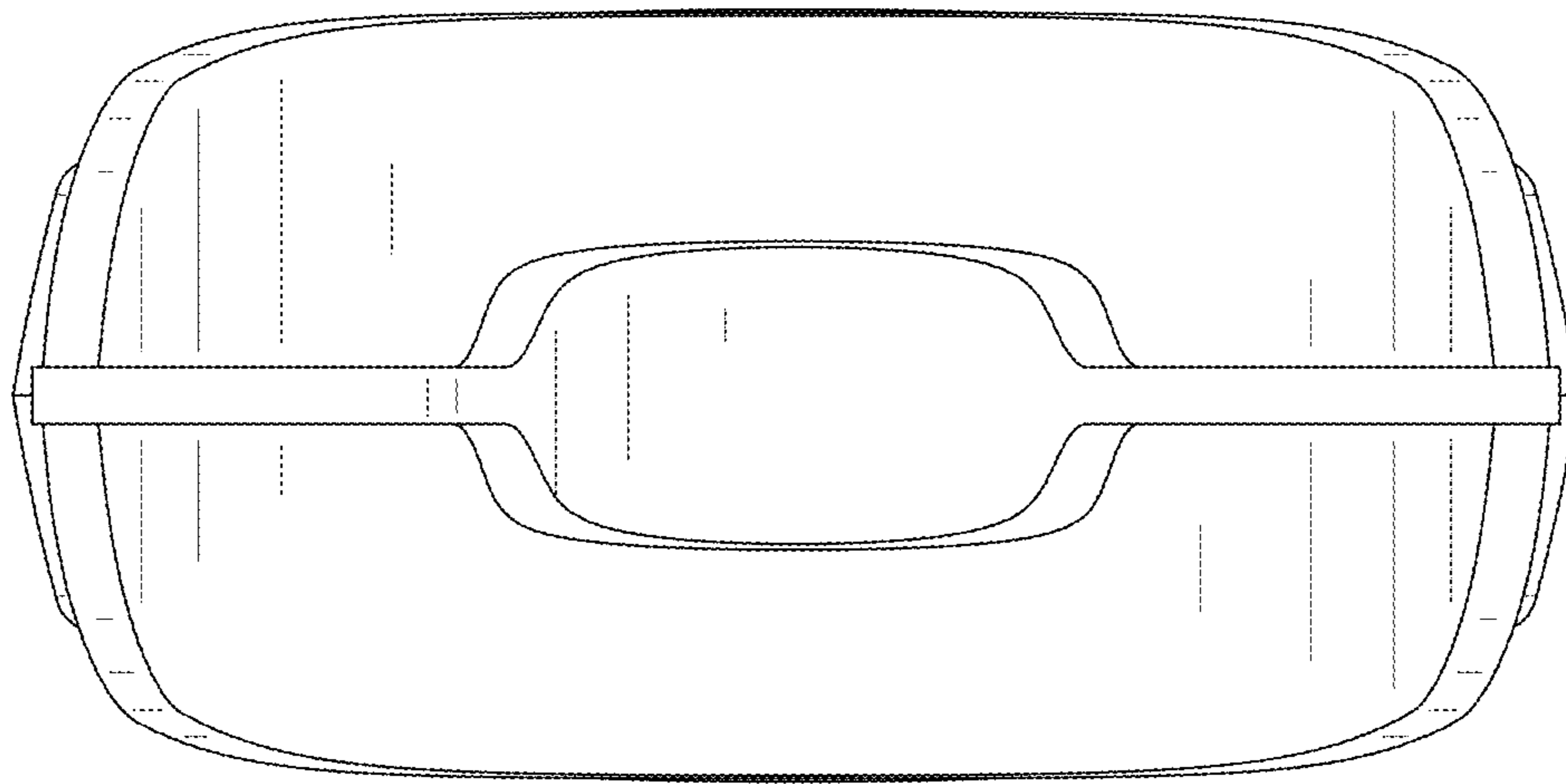


FIG. 7



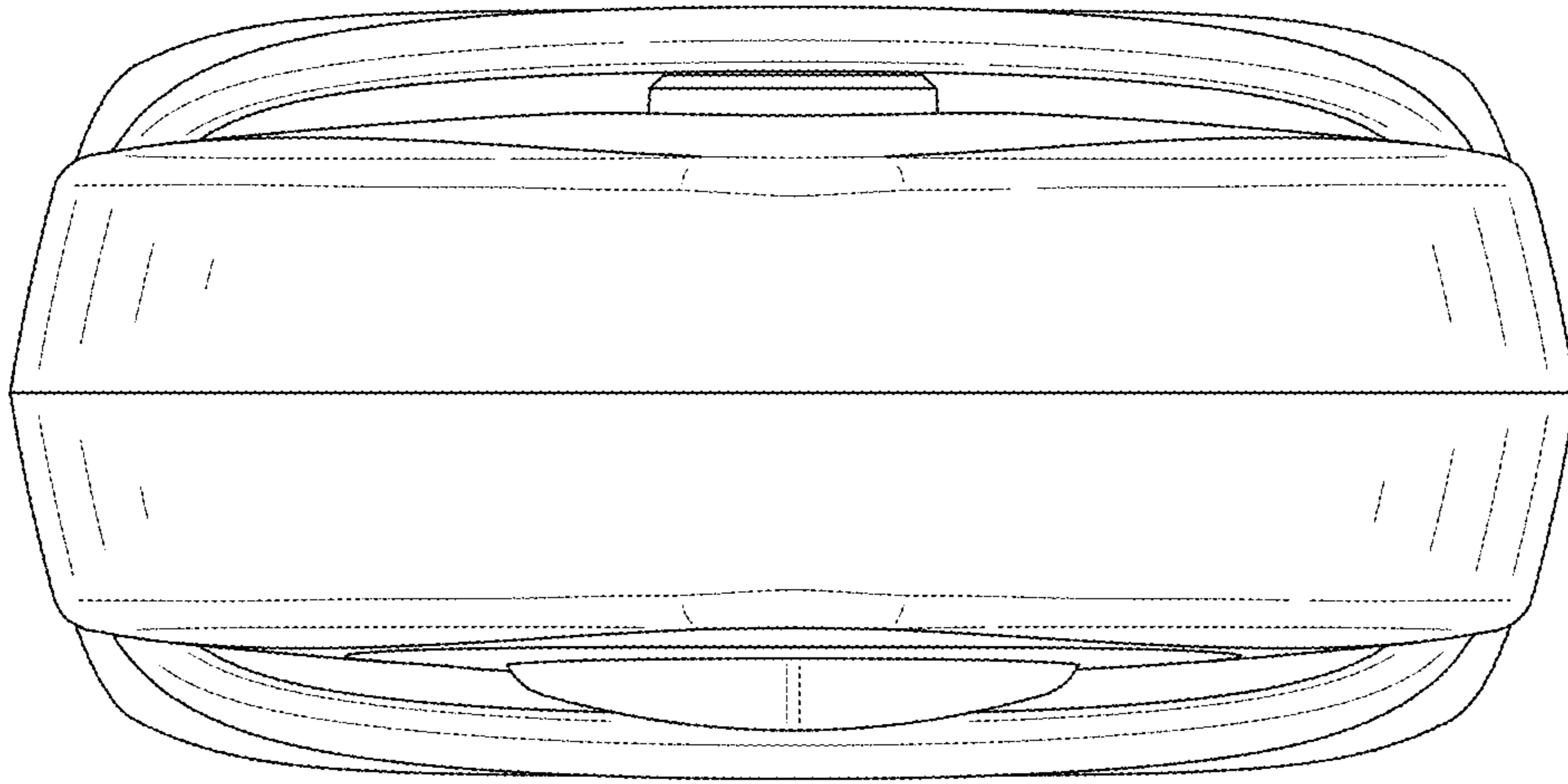


FIG. 8

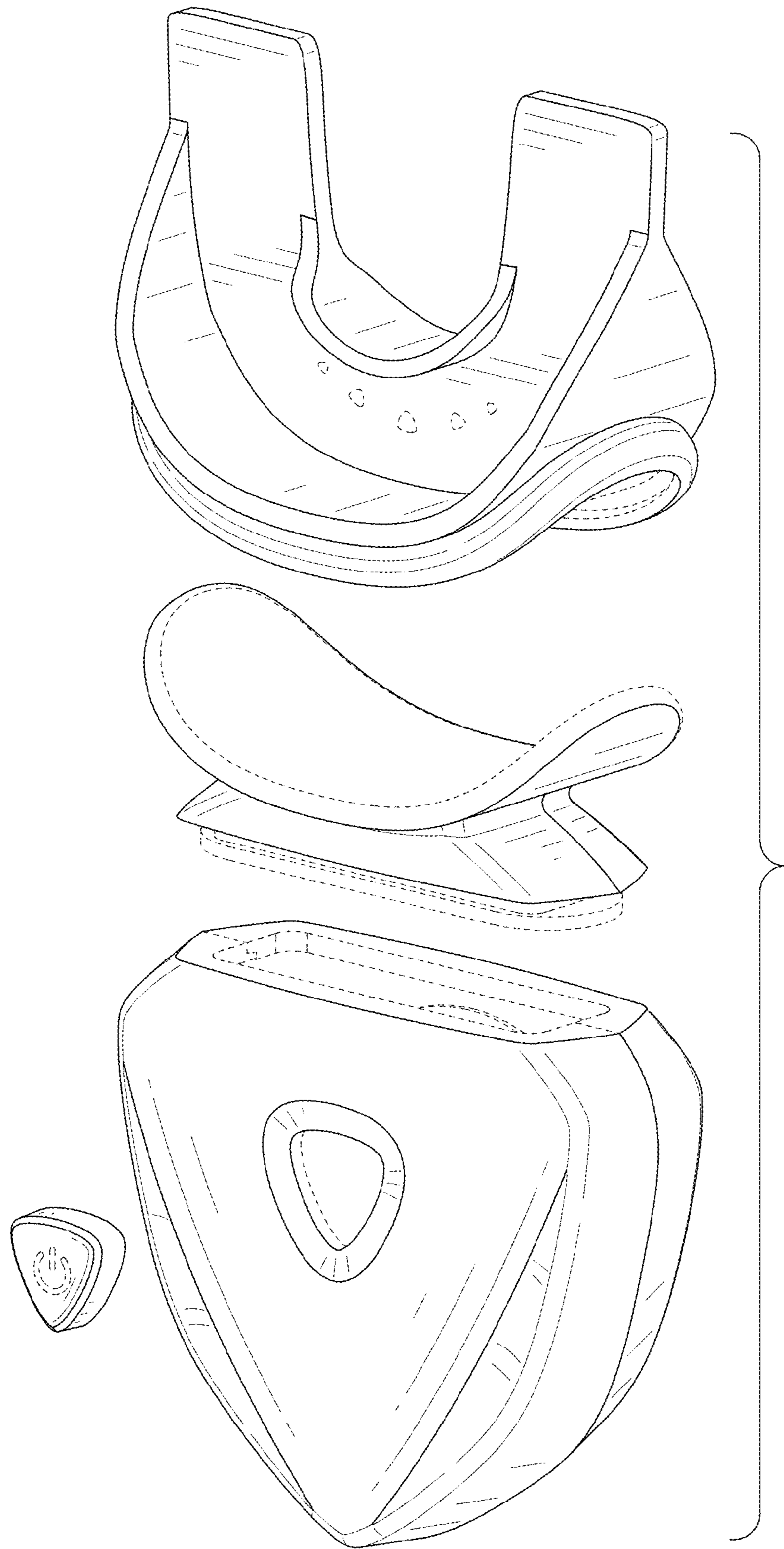


FIG. 9