



US00D895805S

(12) **United States Design Patent** (10) **Patent No.:** **US D895,805 S**  
**Wei** (45) **Date of Patent:** **\*\* Sep. 8, 2020**

(54) **FINGERTIP PULSE OXIMETER**  
(71) Applicant: **Shenzhen Carejoy Technology Co., Ltd.**, Shenzhen (CN)  
(72) Inventor: **Hui Wei**, Shenzhen (CN)  
(\*\*) Term: **15 Years**  
(21) Appl. No.: **29/686,228**  
(22) Filed: **Apr. 3, 2019**  
(51) **LOC (12) Cl.** ..... **24-02**  
(52) **U.S. Cl.**  
USPC ..... **D24/169**; D24/167  
(58) **Field of Classification Search**  
USPC ..... D24/107, 164, 165-169, 186, 187;  
D10/75, 70, 98  
CPC ..... G01N 33/66; G01N 33/49; G01N 33/493;  
A61B 5/0205; A61B 5/02427; A61B  
5/02438; A61B 5/14552; A61B 5/6626;  
A61B 5/6638  
See application file for complete search history.

(56) **References Cited**  
U.S. PATENT DOCUMENTS  
5,792,052 A \* 8/1998 Isaacson ..... A61B 5/02427  
600/323  
D646,391 S \* 10/2011 Ibuki ..... D24/165  
D691,726 S \* 10/2013 Jin ..... D24/167  
D718,455 S \* 11/2014 Maser ..... D24/169  
D830,557 S \* 10/2018 Sebban ..... D24/167

D877,339 S \* 3/2020 Xian ..... D24/165  
2010/0317944 A1\* 12/2010 Wang ..... A61B 5/14552  
600/323  
2019/0090795 A1\* 3/2019 Boller ..... A61B 5/14552

**FOREIGN PATENT DOCUMENTS**

CN 201830045558 \* 8/2018

\* cited by examiner

*Primary Examiner* — Anhdao Doan

(74) *Attorney, Agent, or Firm* — ZANIP

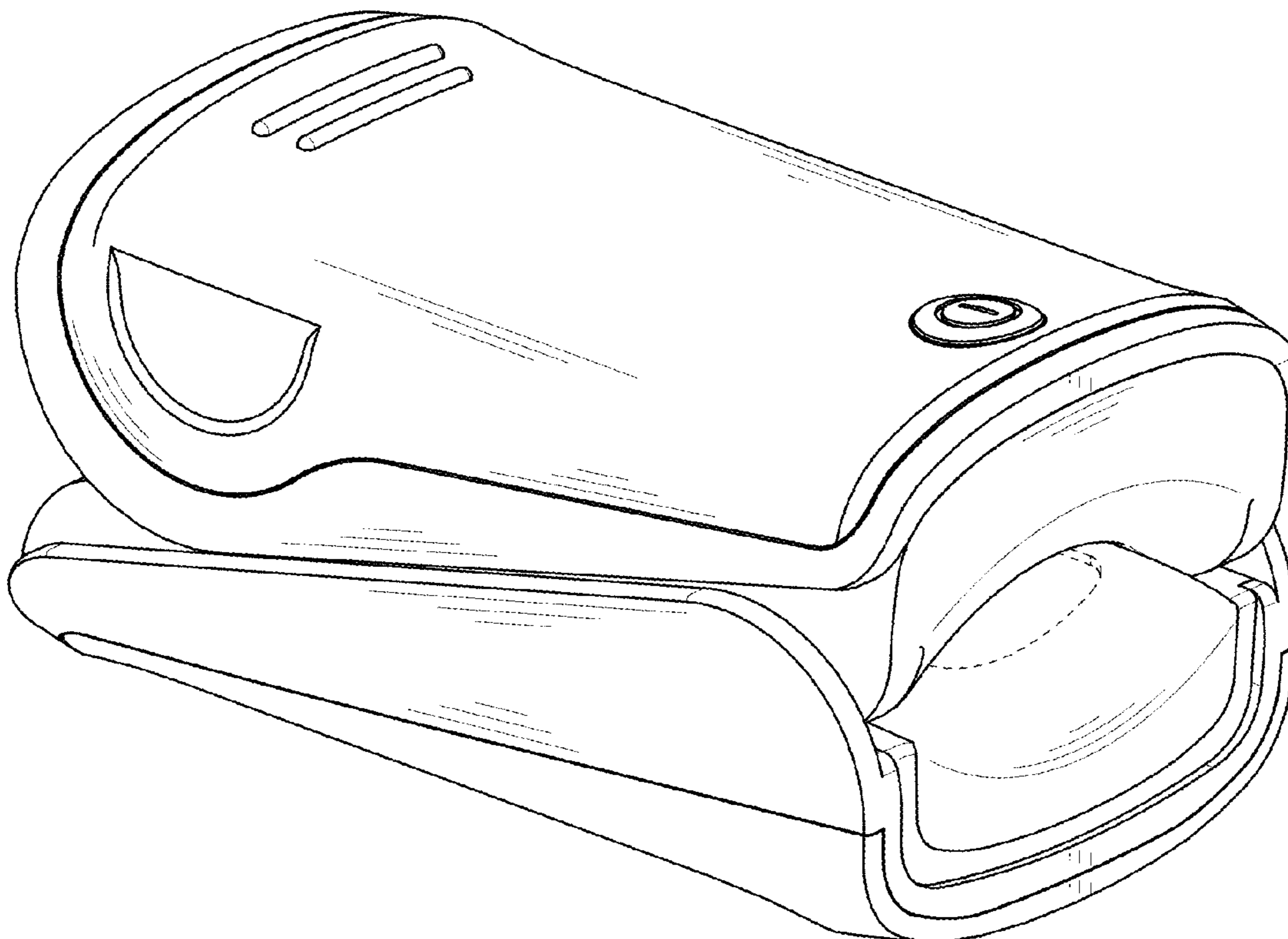
(57) **CLAIM**

The ornamental design for a fingertip pulse oximeter, as shown and described.

**DESCRIPTION**

FIG. 1 is a first perspective view of a fingertip pulse oximeter showing my design;  
FIG. 2 is a second perspective view thereof;  
FIG. 3 is a front view thereof;  
FIG. 4 is a back view thereof;  
FIG. 5 is a left side view thereof;  
FIG. 6 is a right side view thereof;  
FIG. 7 is a top view thereof; and,  
FIG. 8 is a bottom view thereof.  
The broken lines shown in the drawings depict portions of the fingertip pulse oximeter in which the design is embodied that form no part of the claimed design.

**1 Claim, 8 Drawing Sheets**



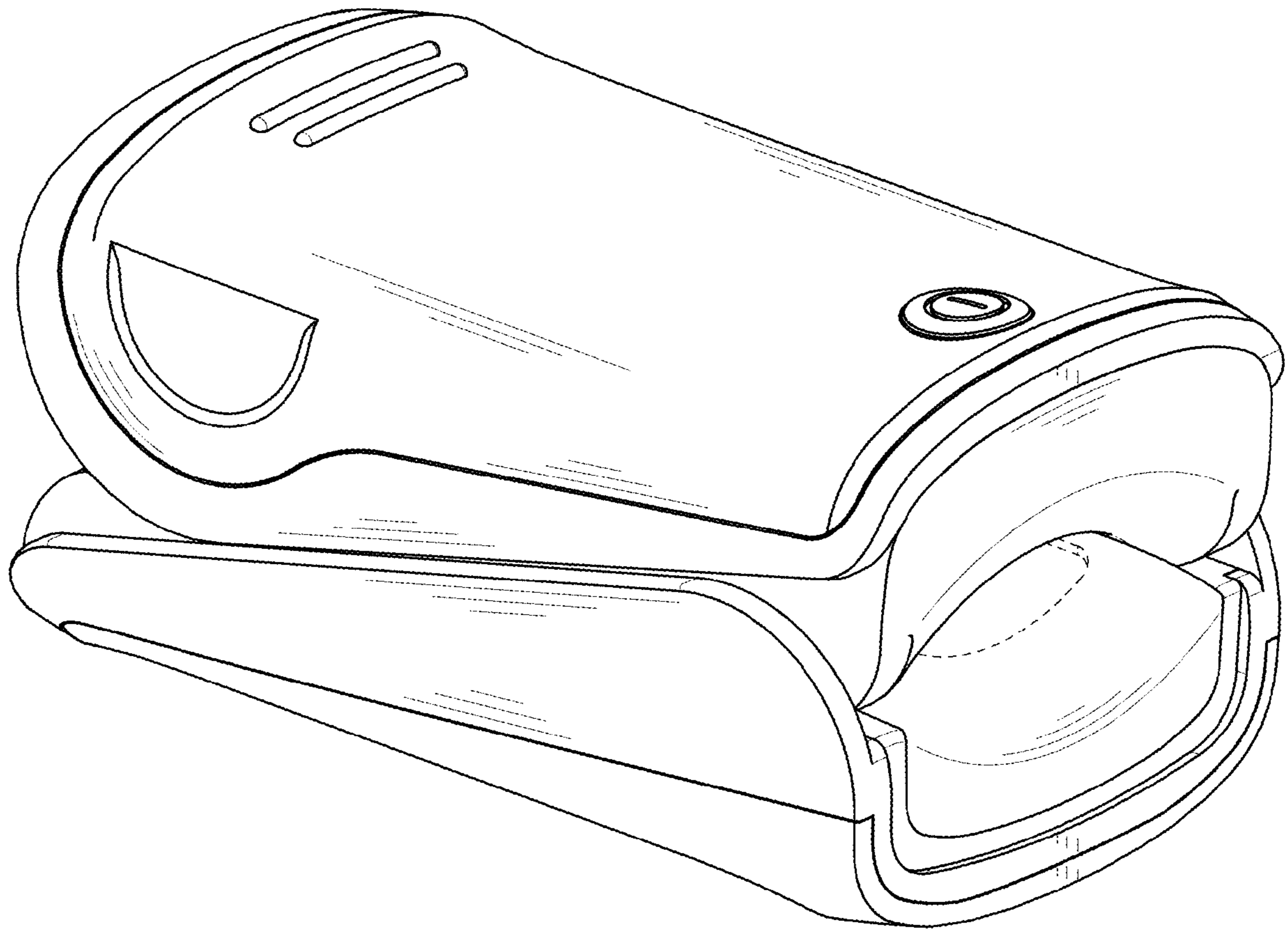


FIG. 1

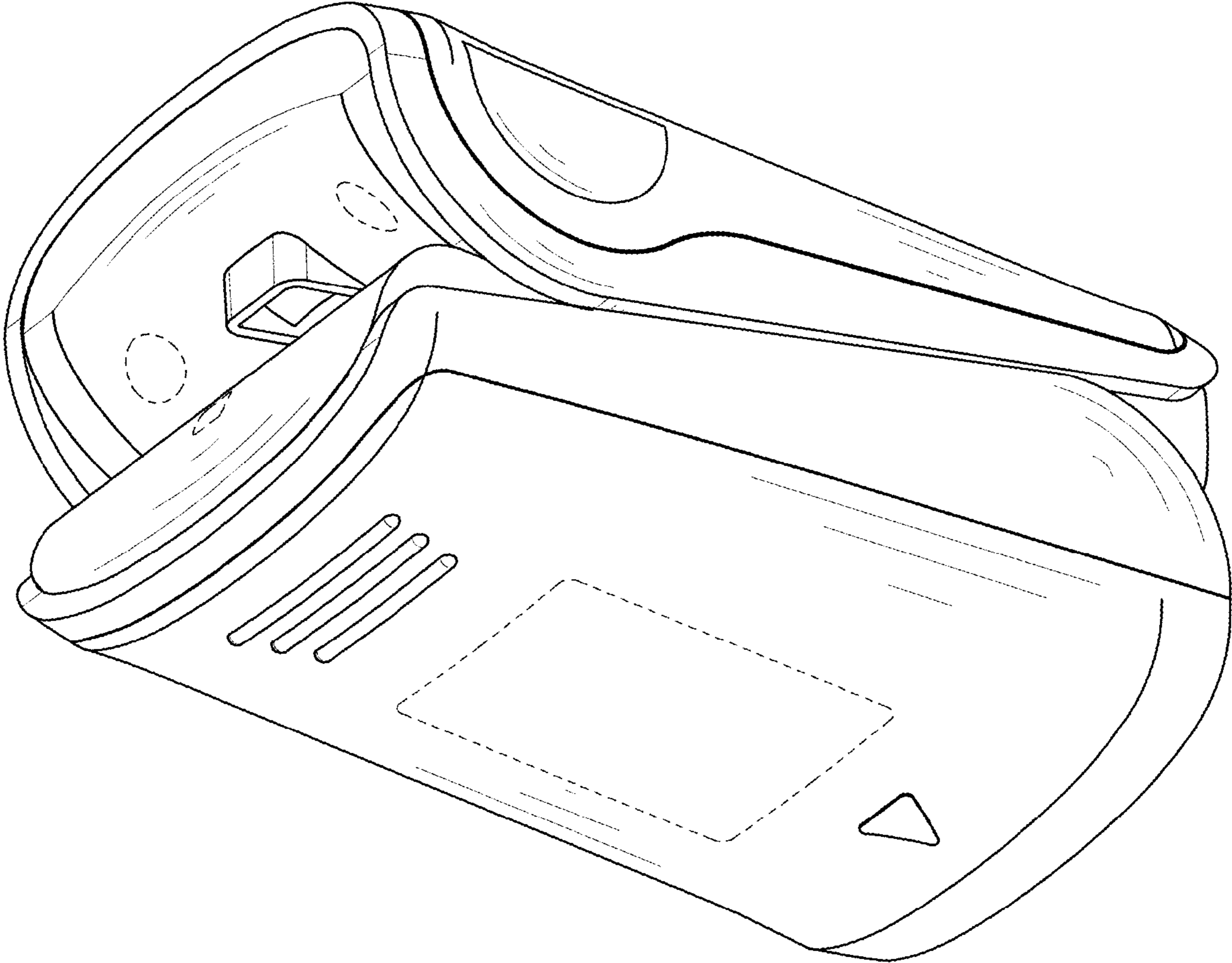


FIG. 2

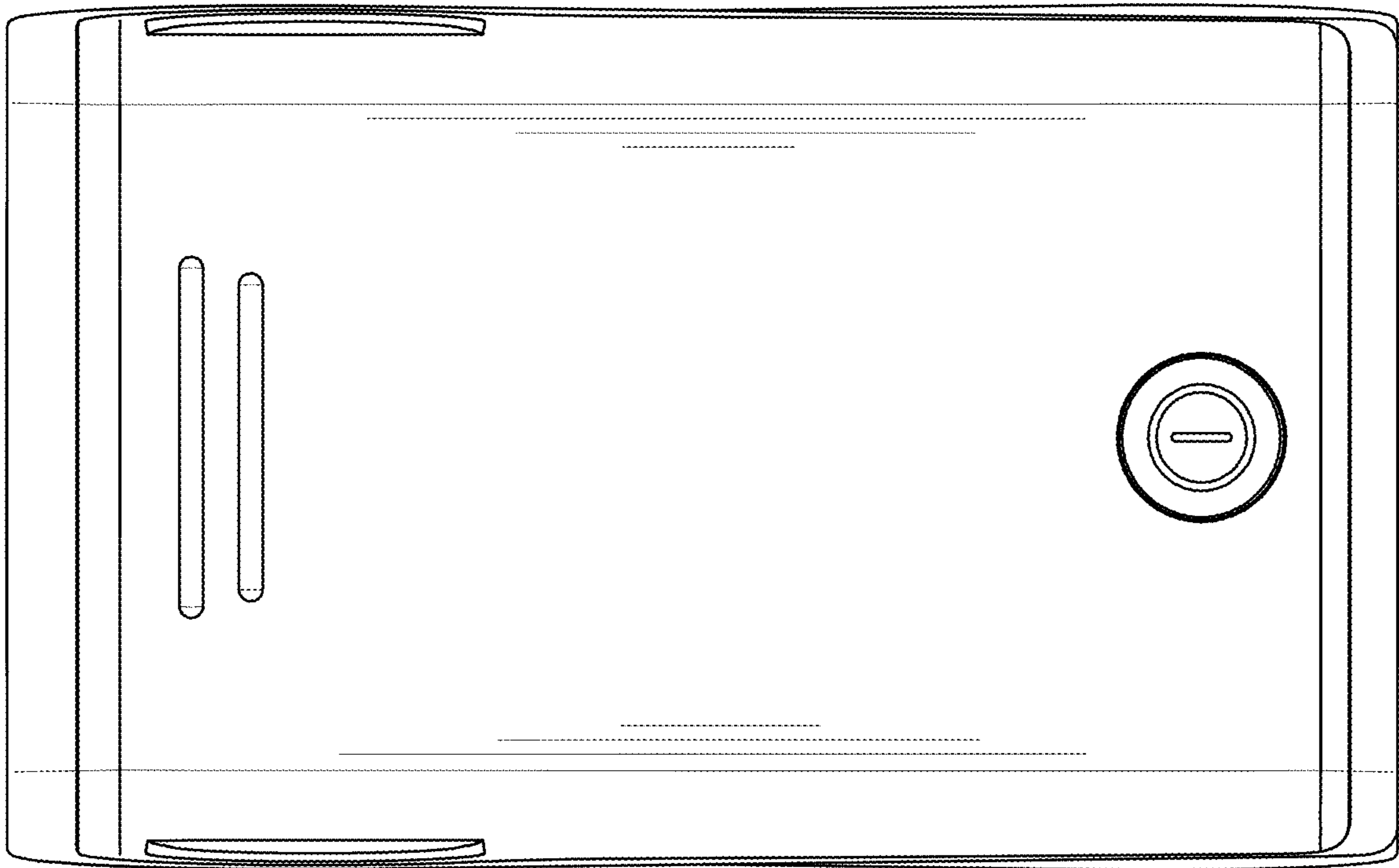


FIG. 3

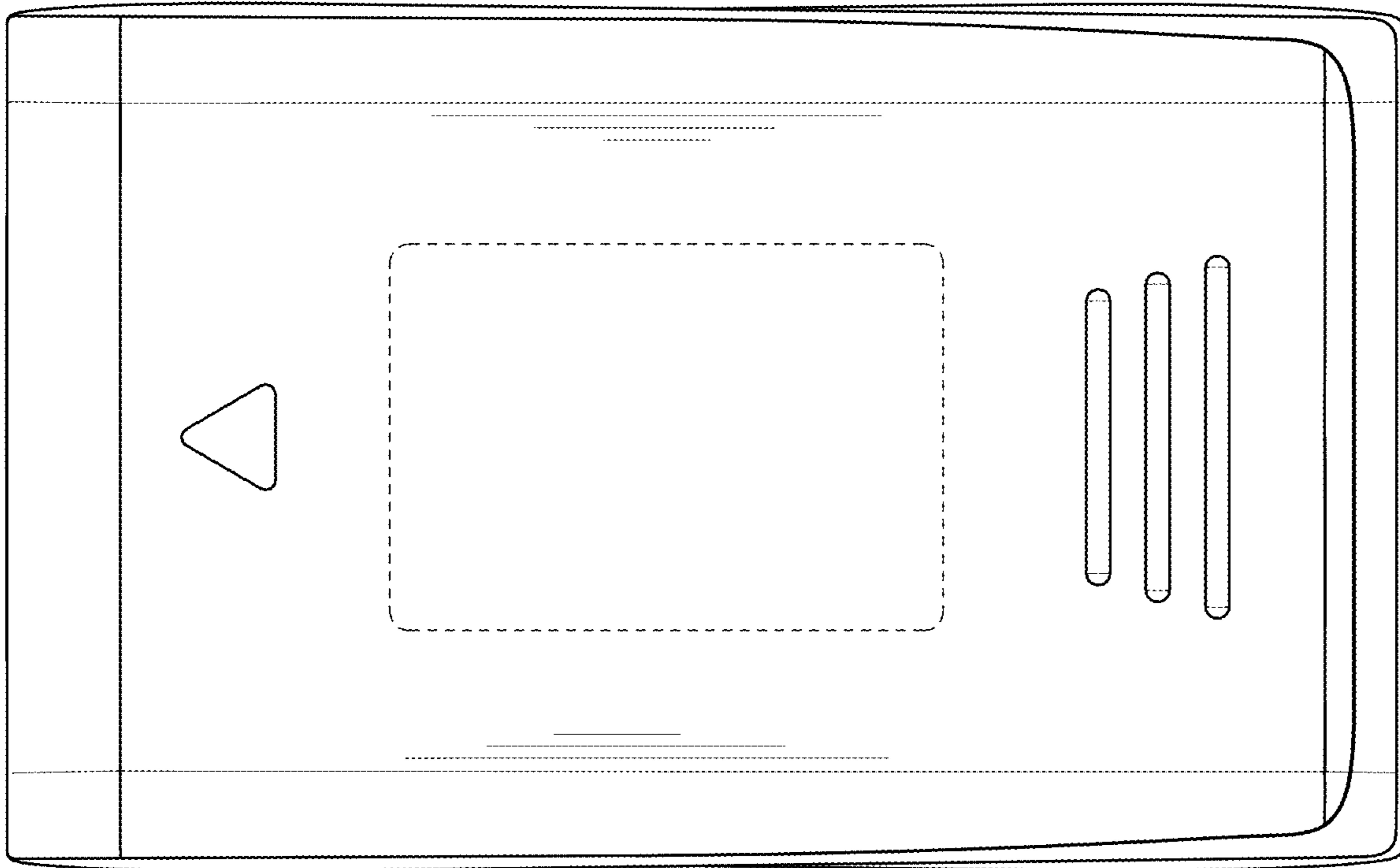


FIG. 4

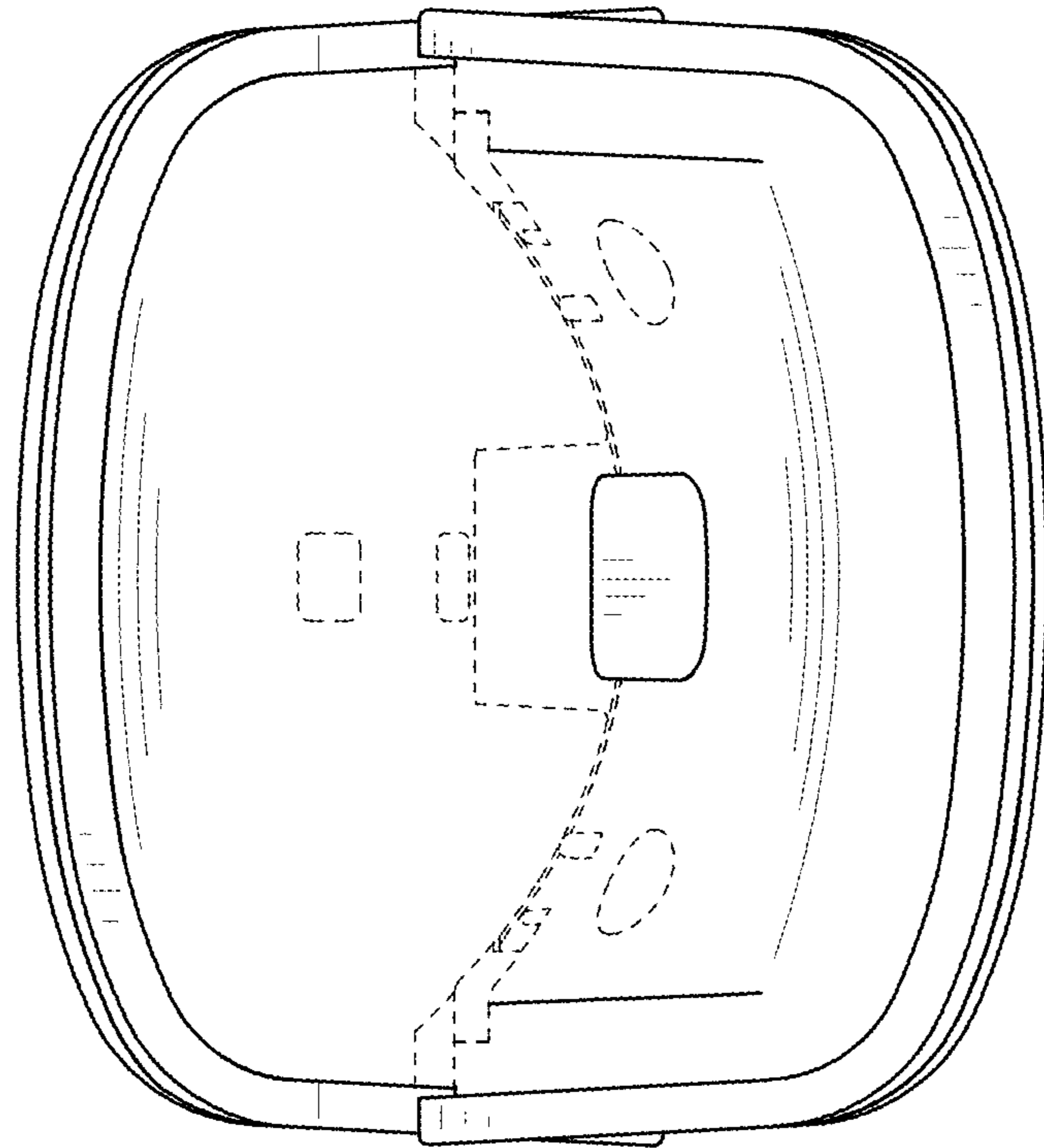


FIG. 5

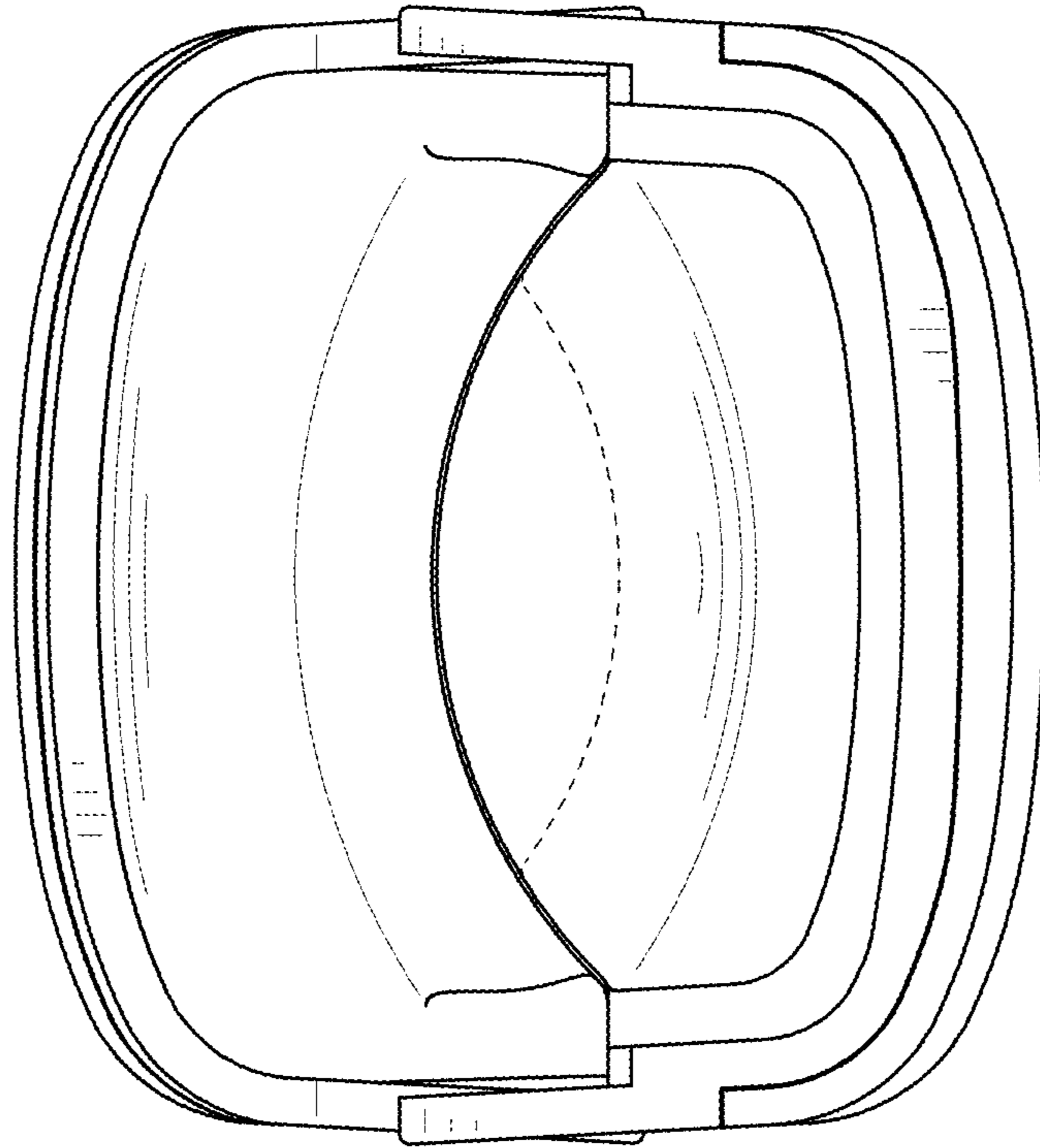


FIG. 6

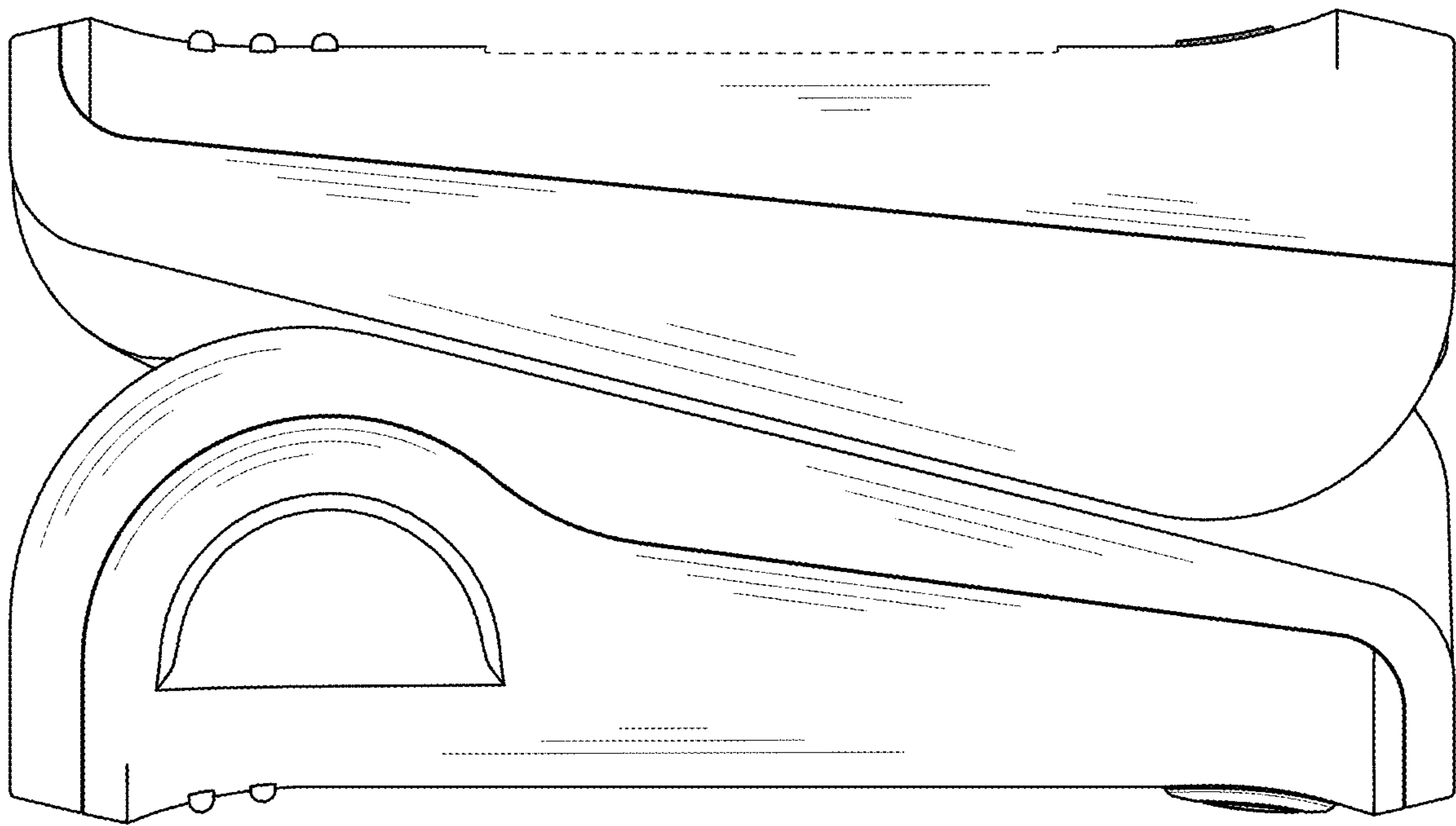


FIG. 7



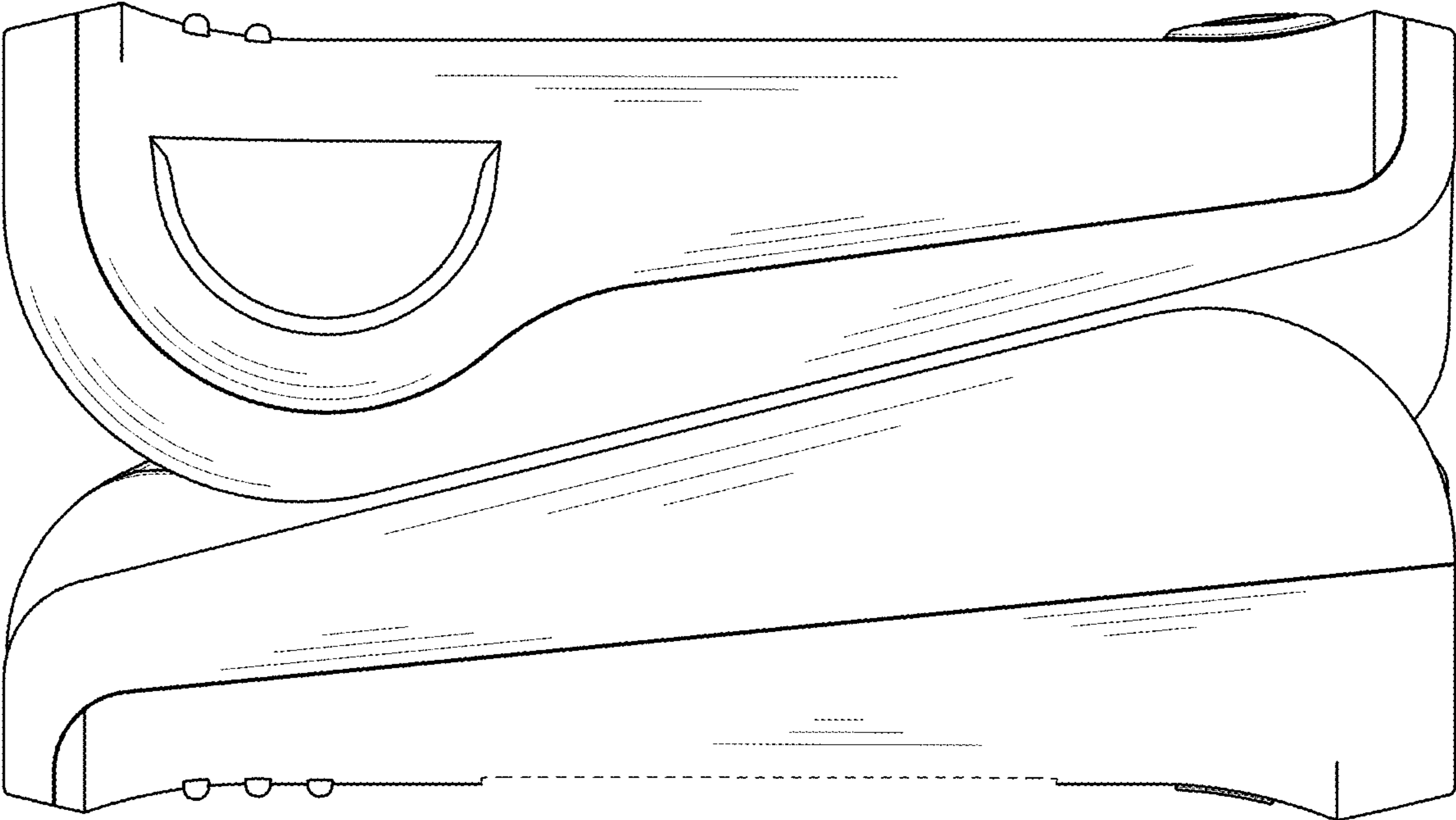


FIG. 8