



US00D895804S

(12) **United States Design Patent** (10) **Patent No.:** **US D895,804 S**
Zhuang et al. (45) **Date of Patent:** **** Sep. 8, 2020**

(54) **COMPUTERIZED TOMOGRAPHY SCANNER**

(71) Applicant: **KONINKLIJKE PHILIPS N.V.**,
Eindhoven (NL)

(72) Inventors: **Yan Zhuang**, Shanghai (CN); **Wee Kar Tan**; **Andrea Feuerabend**, Eindhoven (NL)

(73) Assignee: **KONINKLIJKE PHILIPS N.V.**,
Eindhoven (NL)

(**) Term: **15 Years**

(21) Appl. No.: **35/503,412**

(22) Filed: **Jan. 19, 2017**

(80) **Hague Agreement Data**

Int. Filing Date: **Jan. 19, 2017**
Int. Reg. No.: **DM/094730**
Int. Reg. Date: **Jan. 19, 2017**
Int. Reg. Pub. Date: **Jul. 21, 2017**

(30) **Foreign Application Priority Data**

Aug. 22, 2016 (EM) 003348457-0001

(51) **LOC (12) Cl.** **24-01**

(52) **U.S. Cl.**
USPC **D24/158**

(58) **Field of Classification Search**
USPC D24/185, 186, 160, 159, 158, 161
CPC A61B 6/032
See application file for complete search history.

(56) **References Cited**

U.S. PATENT DOCUMENTS

D270,182 S * 8/1983 Wagner D24/159
D318,726 S * 7/1991 Takekoshi D24/159
D323,711 S * 2/1992 Takekoshi D24/159
D417,734 S * 12/1999 Benders D24/158

D432,655 S * 10/2000 Benders D24/158
D566,843 S * 4/2008 Ogiwara D24/158
D639,950 S * 6/2011 Ramos D24/158
D700,339 S * 2/2014 Tan D24/158
D700,340 S * 2/2014 Tan D24/158
D715,444 S * 10/2014 Zhi D24/159
D725,275 S * 3/2015 Matsumura D24/158
2014/0314197 A1* 10/2014 Watanabe H01J 35/12
378/4

* cited by examiner

Primary Examiner — Manpreet S Matharu

Assistant Examiner — Eliza Z Bennett-Hattan

(57) **CLAIM**

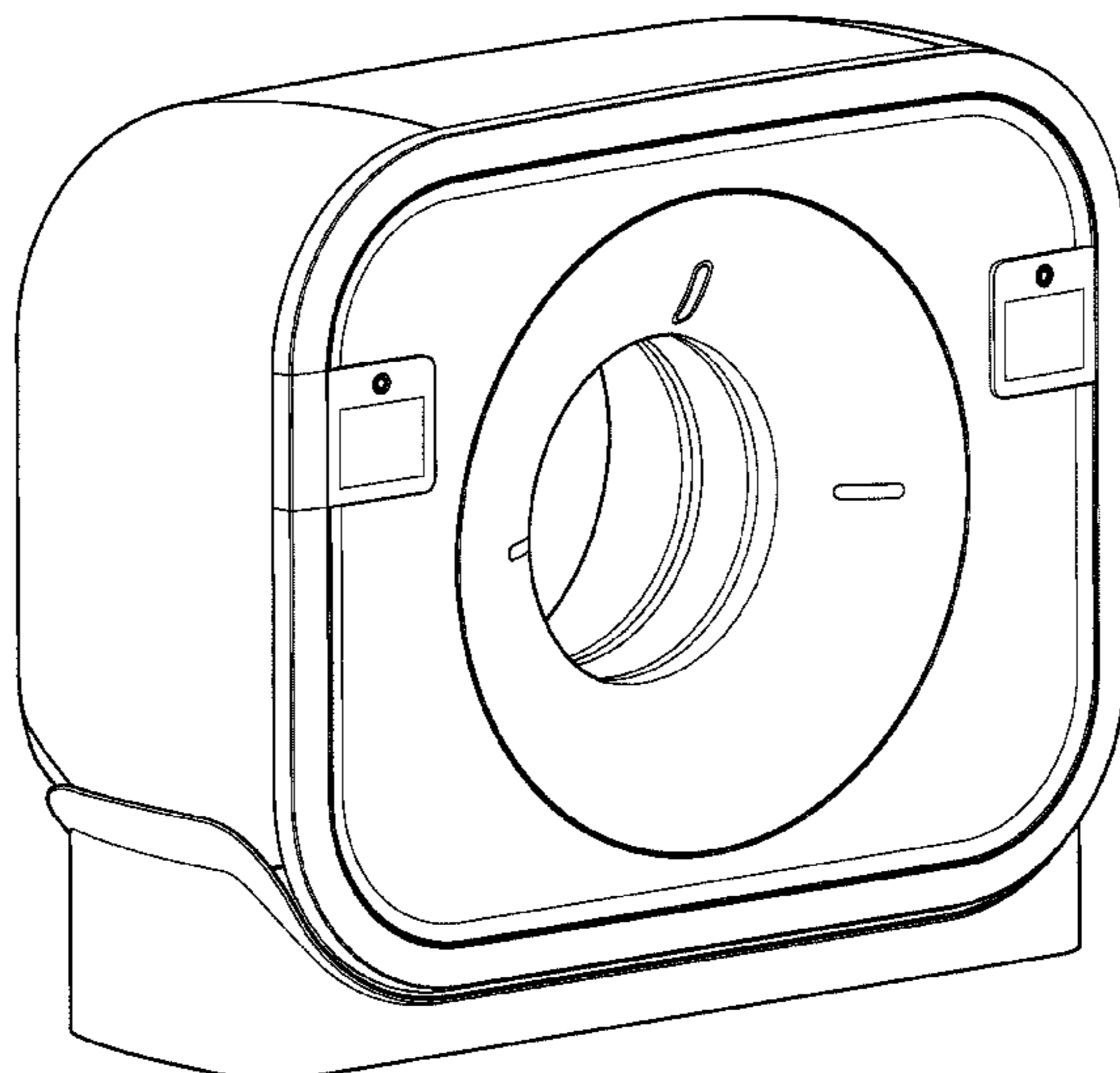
The ornamental design for computerized tomography scanner, as shown and described.

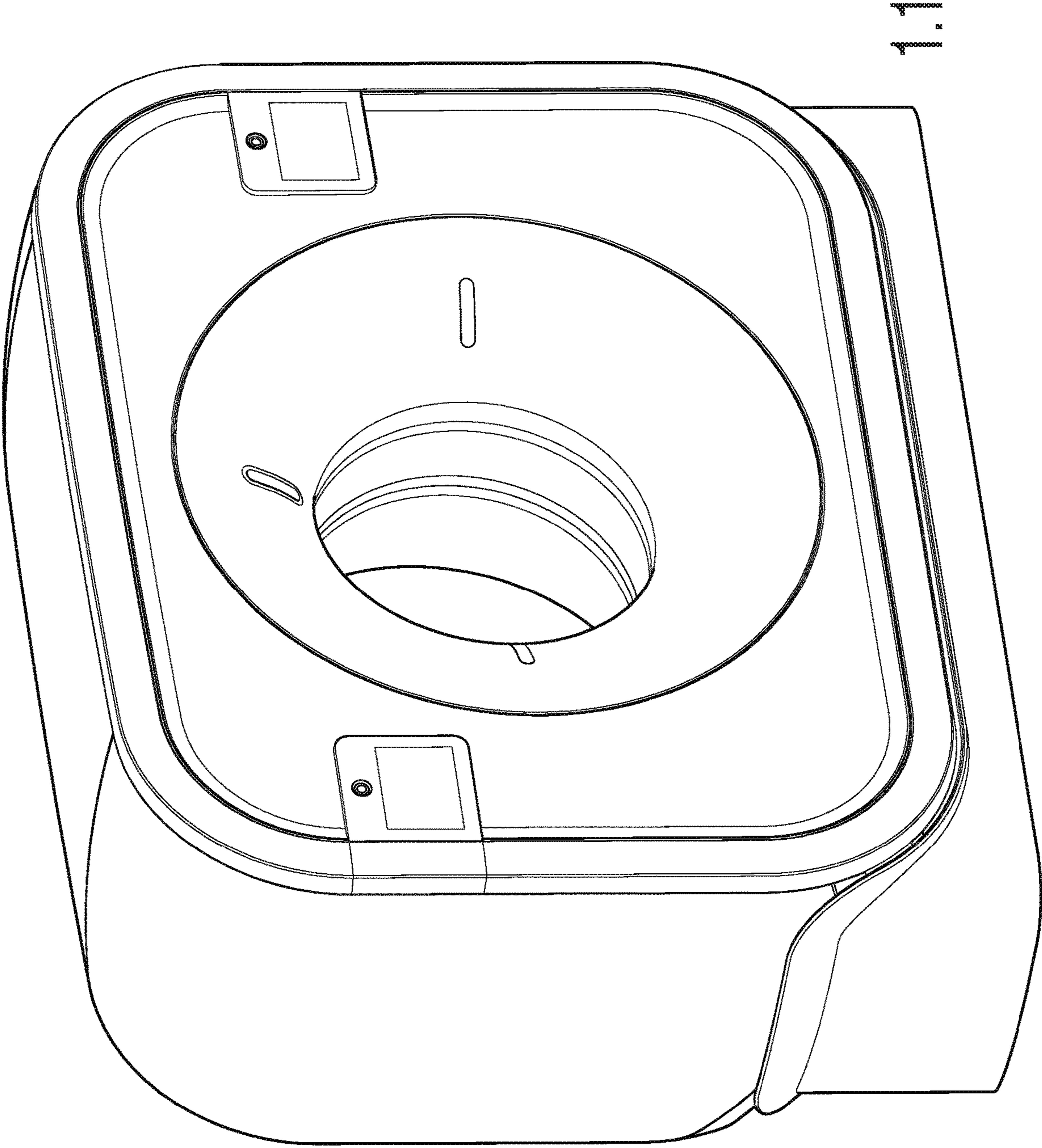
DESCRIPTION

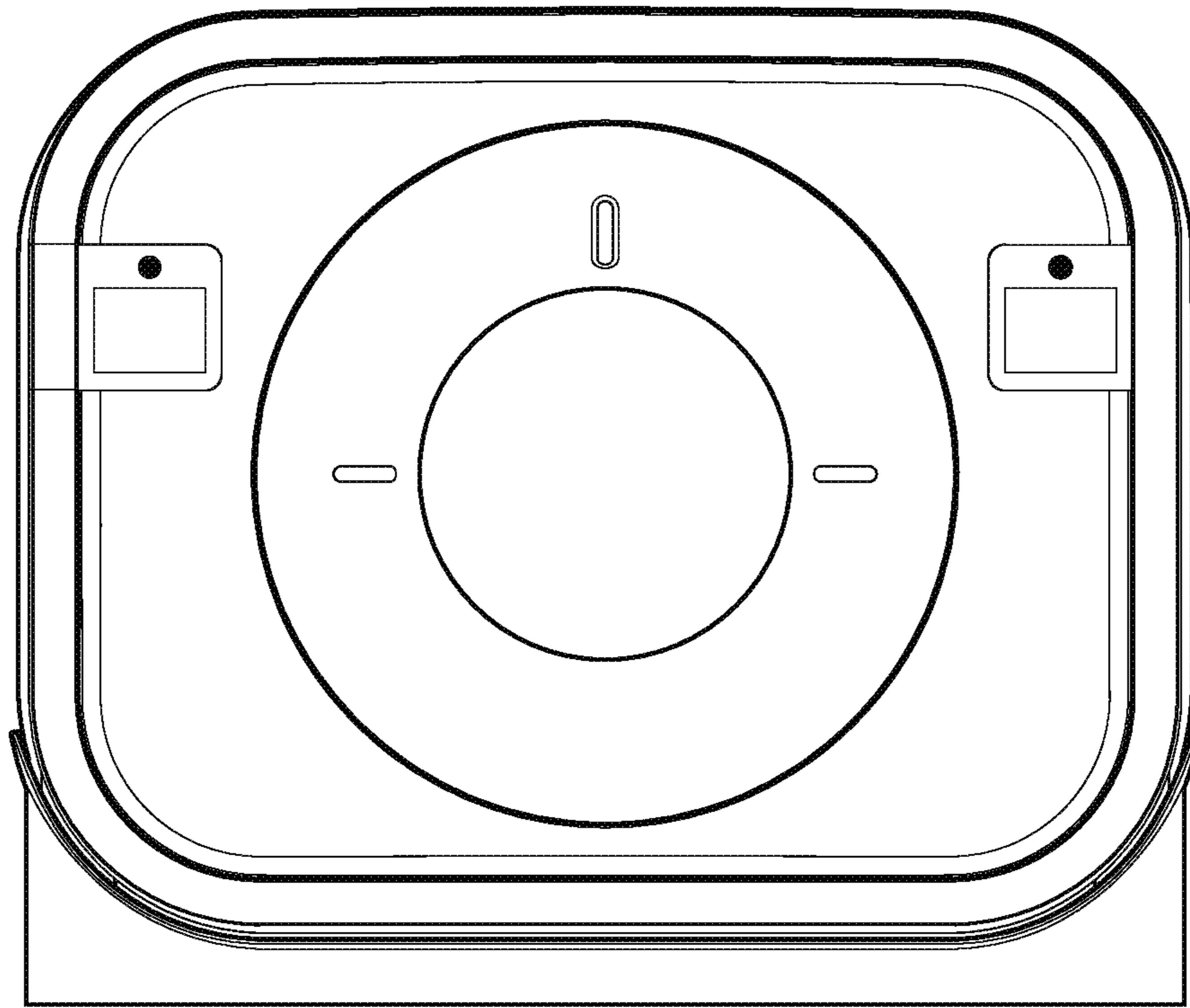
1. Computerized tomography scanner
1.1 is a perspective view showing the computerized tomography scanner of our design;
1.2 is a front elevational view thereof;
1.3 is a rear elevational view thereof;
1.4 is a left side elevational view thereof;
1.5 is a right side elevational view thereof;
1.6 is a top plan view thereof; and
1.7 is a bottom plan view thereof.

The portions of the computerized tomography scanner shown with YELLOW highlighting form no part of the claimed design.

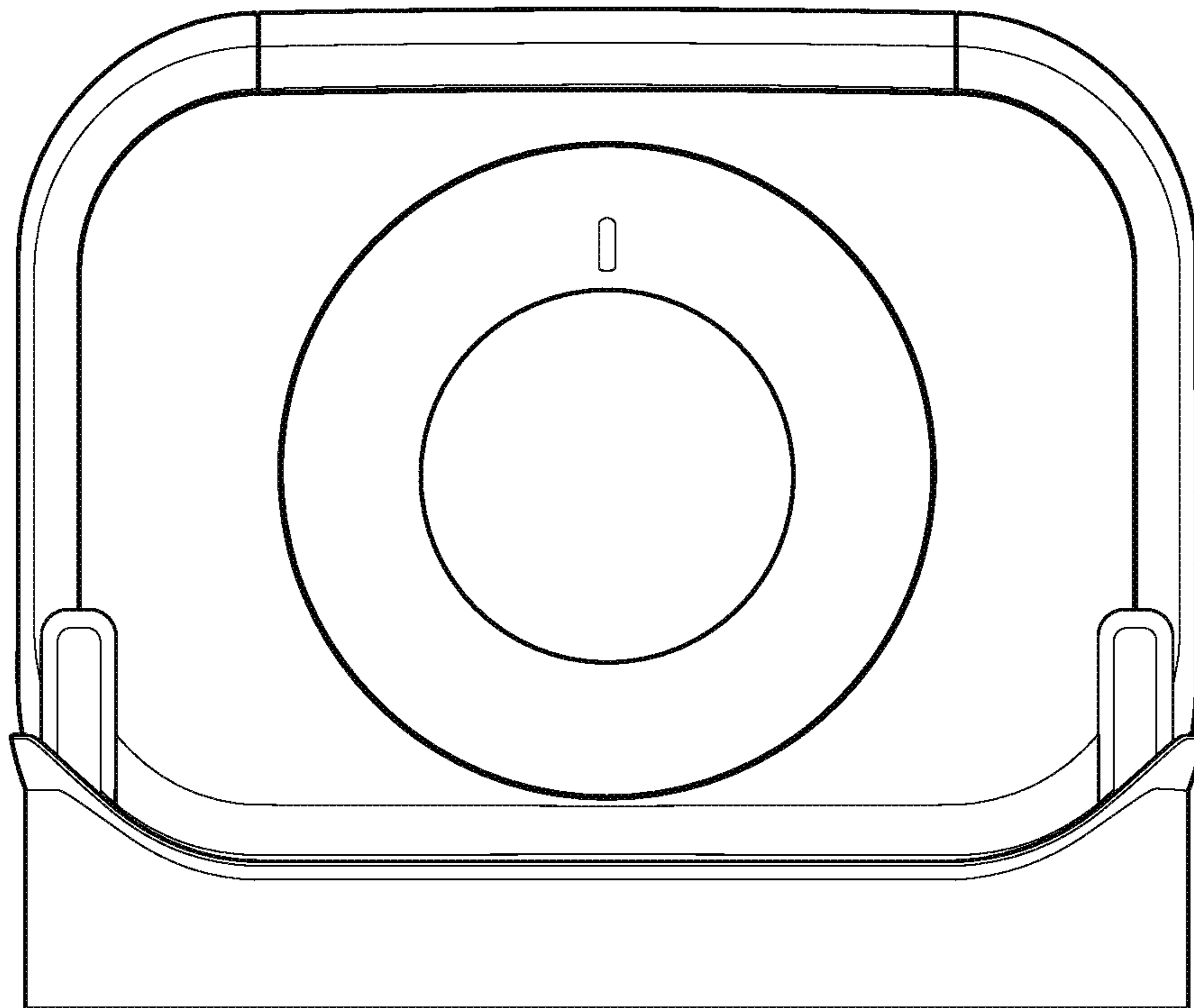
1 Claim, 4 Drawing Sheets



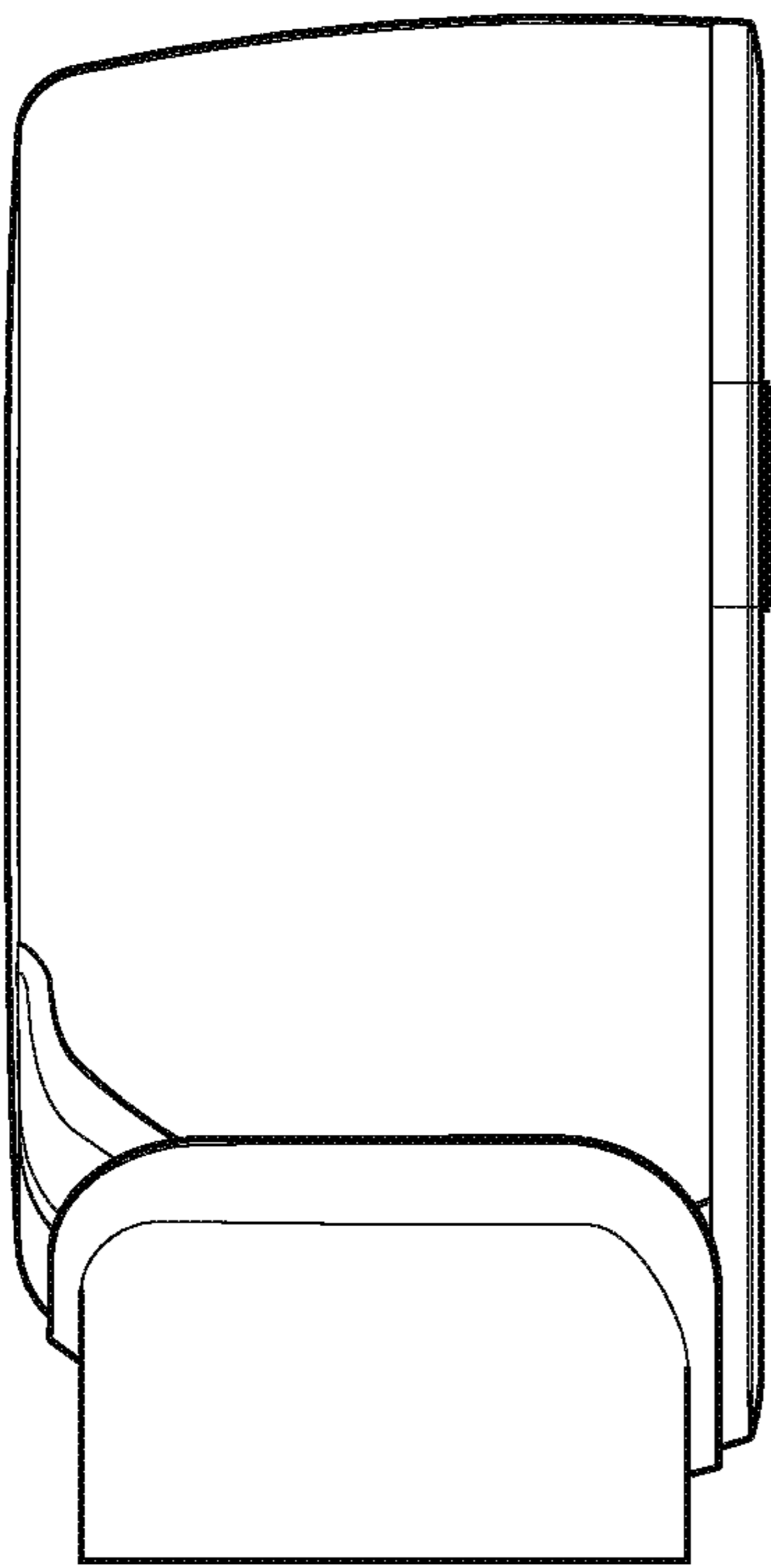




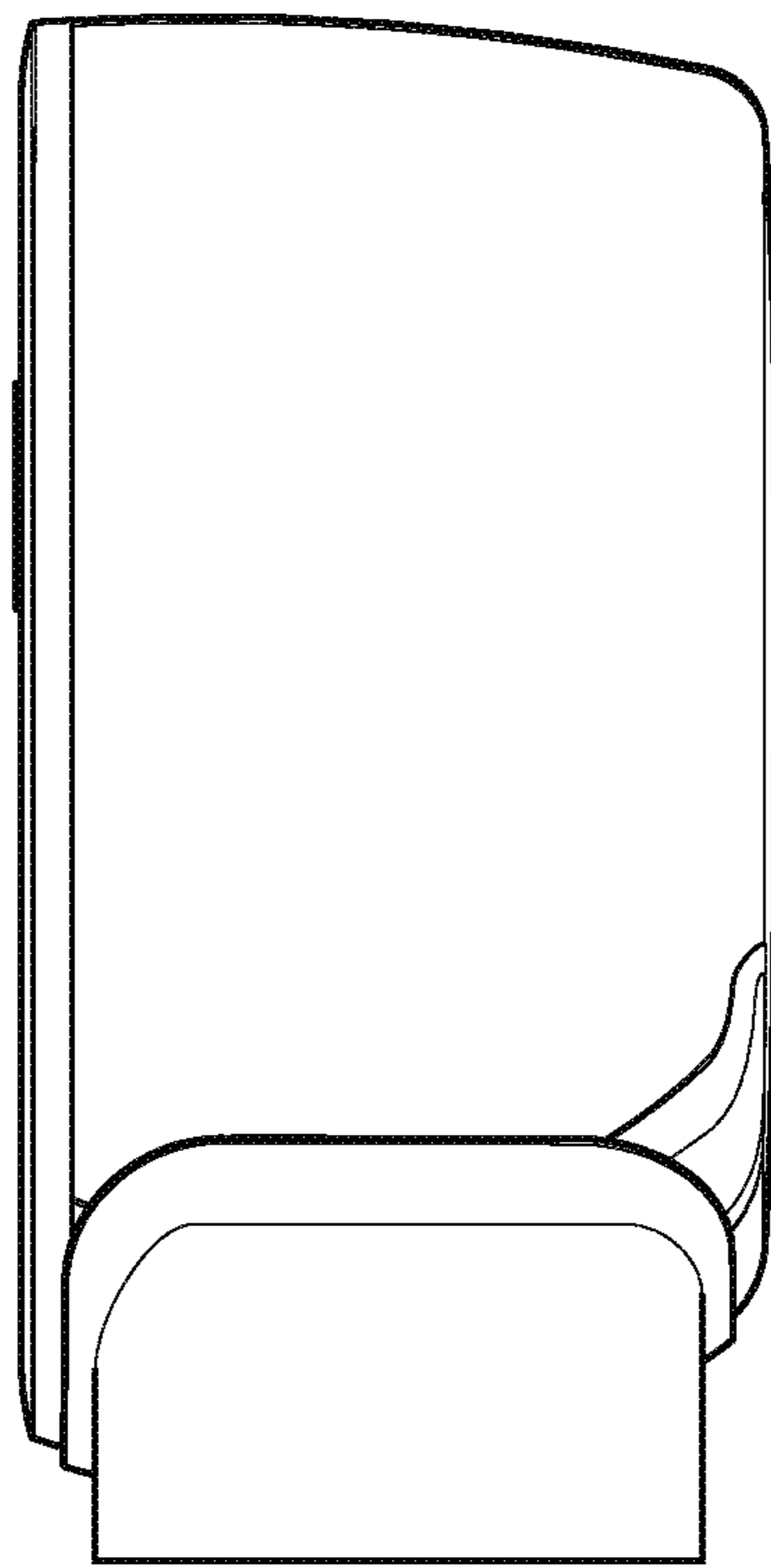
1.2



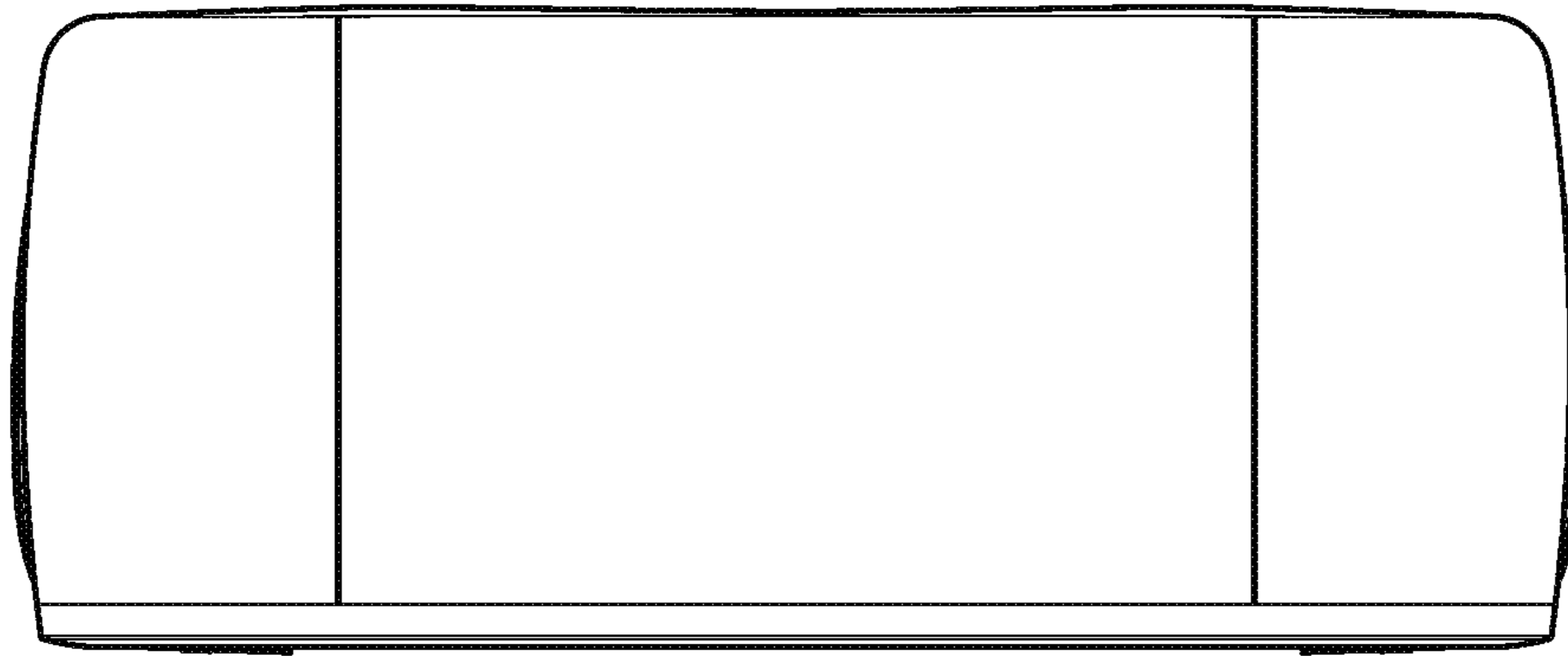
1.3



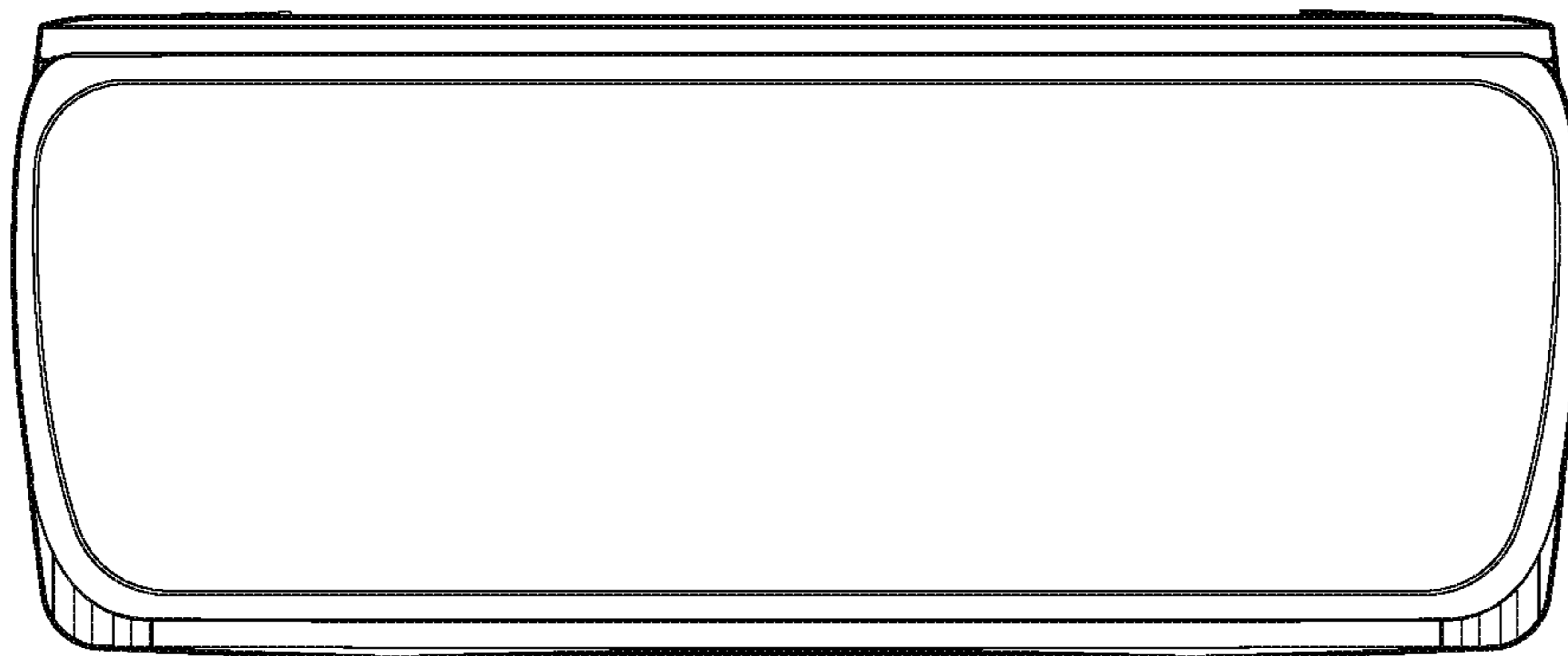
1.4



1.5



1.6



1.7