



US00D895803S

(12) **United States Design Patent**
Nacev et al.

(10) **Patent No.:** **US D895,803 S**
(45) **Date of Patent:** **** Sep. 8, 2020**

(54) **ANALYTICAL DEVICE**
(71) Applicant: **Promaxo, Inc.**, Oakland, CA (US)
(72) Inventors: **Aleksandar Nacev**, San Francisco, CA (US); **Amit Vohra**, Rocklin, CA (US); **Ryan Hilaman**, Oakland, CA (US); **Said Ijanaten**, Bethesda, MD (US)

D665,911 S * 8/2012 Laukkanen D24/158
D726,917 S * 4/2015 Kim D24/158
D742,523 S * 11/2015 Sul D24/158
D757,939 S * 5/2016 Tsujita D24/158
D783,830 S * 4/2017 Baba D24/158
D804,031 S * 11/2017 Hsu D24/158
D817,494 S * 5/2018 Apetauer D24/158
D857,203 S * 8/2019 Kim D24/158
2017/0325763 A1* 11/2017 Hoernig A61B 5/055

(**) Term: **15 Years**

* cited by examiner

(21) Appl. No.: **29/681,014**

Primary Examiner — Anhdao Doan

(22) Filed: **Feb. 21, 2019**

(74) *Attorney, Agent, or Firm* — Haynes and Boone, LLP

(51) **LOC (12) Cl.** **24-01**

(57) **CLAIM**

(52) **U.S. Cl.**

The ornamental design for an analytical device, as shown and described.

USPC **D24/158**

DESCRIPTION

(58) **Field of Classification Search**

USPC D24/107, 158–161, 185, 186, 187, 231
CPC .. A61B 6/03; A61B 6/035; A61B 5/05; A61B 5/055

FIG. 1 is a perspective view of an analytical device of our design;
FIG. 2 is a front view thereof;
FIG. 3 is a back view thereof;
FIG. 4 is a side view thereof;
FIG. 5 is another side view thereof;
FIG. 6 is a top view thereof; and,
FIG. 7 is a bottom view thereof.

See application file for complete search history.

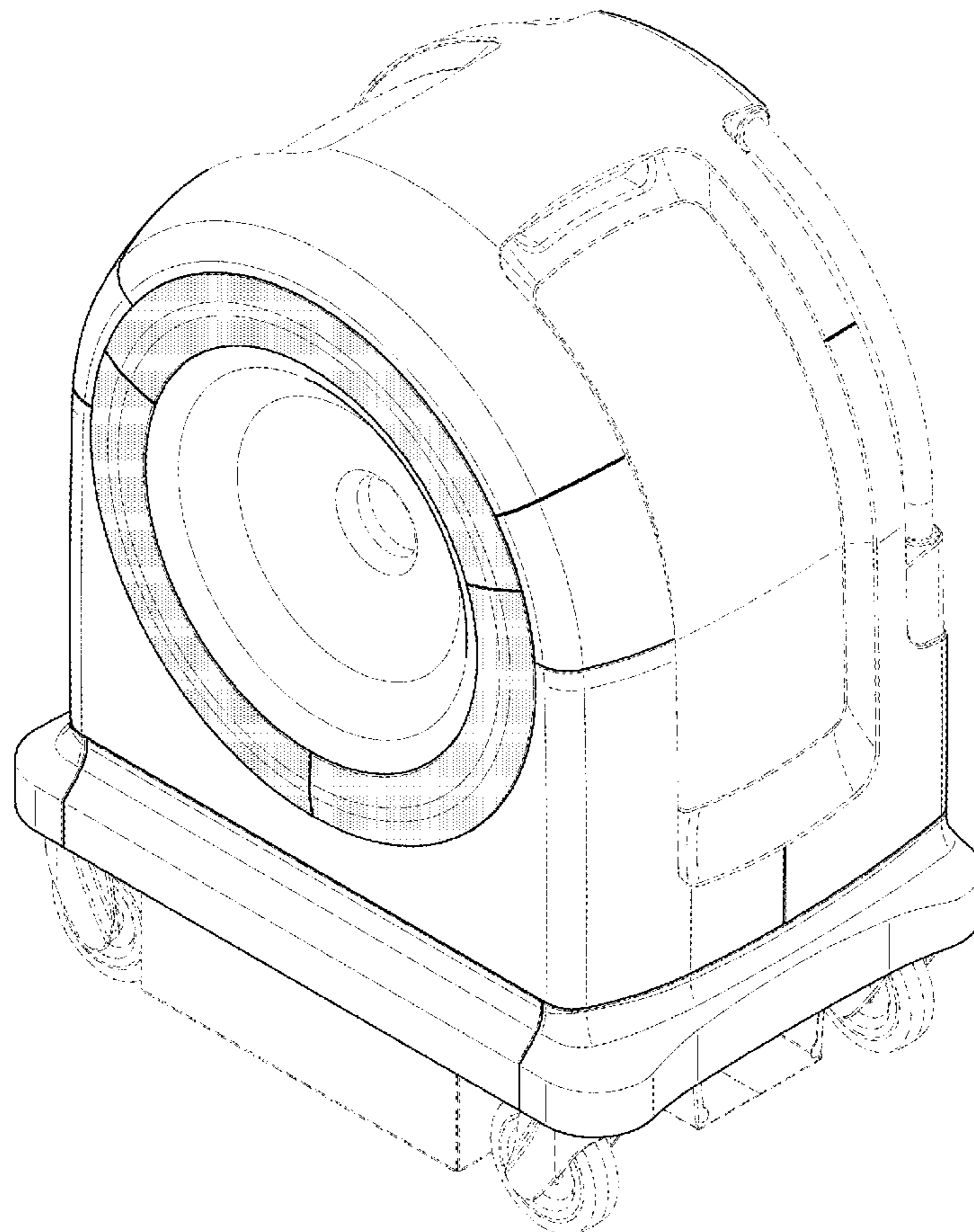
The broken lines illustrate portions of the analytical device that form no part of the claimed design.

(56) **References Cited**

U.S. PATENT DOCUMENTS

D557,418 S * 12/2007 Onuma D24/158
D639,948 S * 6/2011 Personelli D24/158
D658,294 S * 4/2012 Awad D24/158

1 Claim, 7 Drawing Sheets



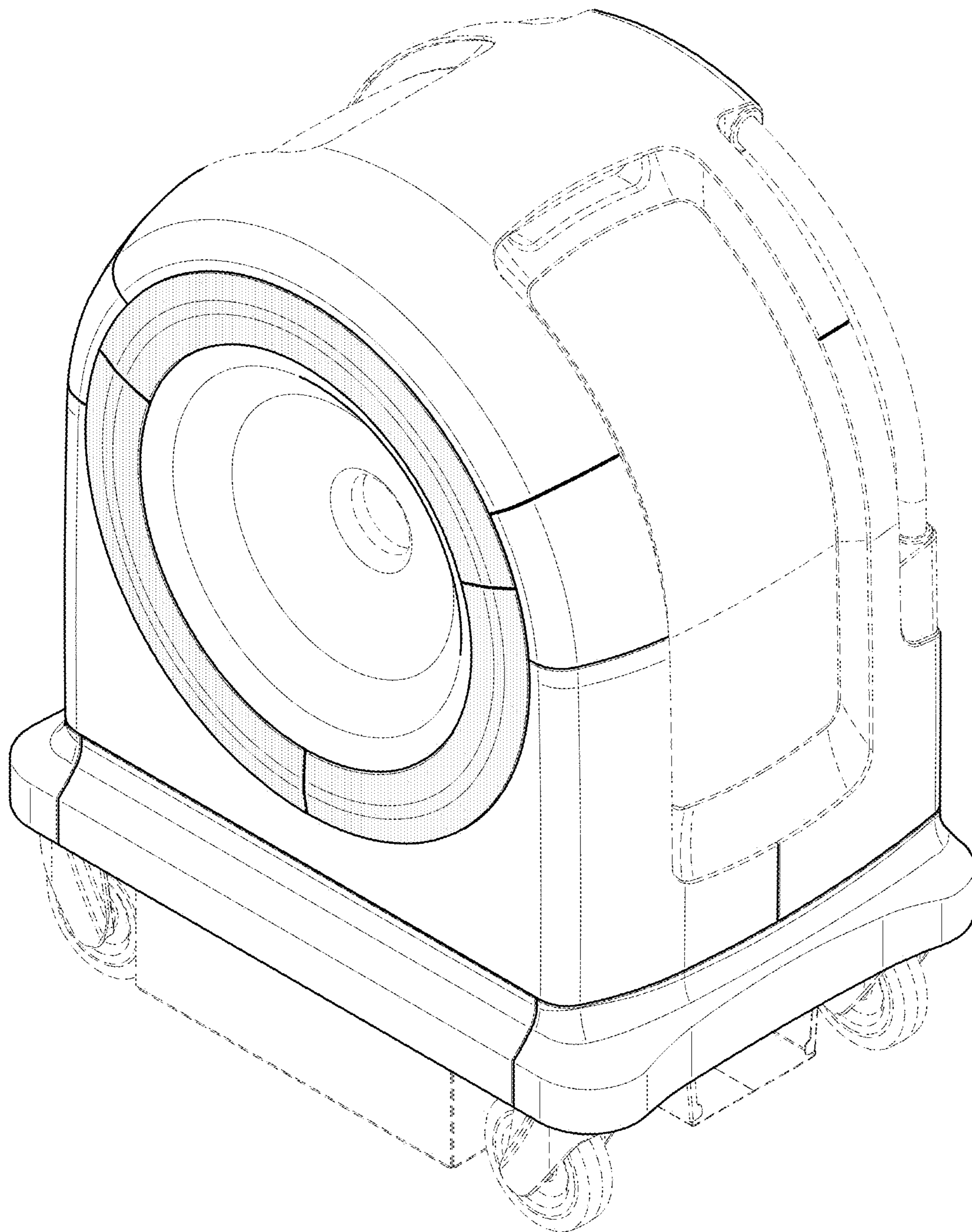


FIG. 1

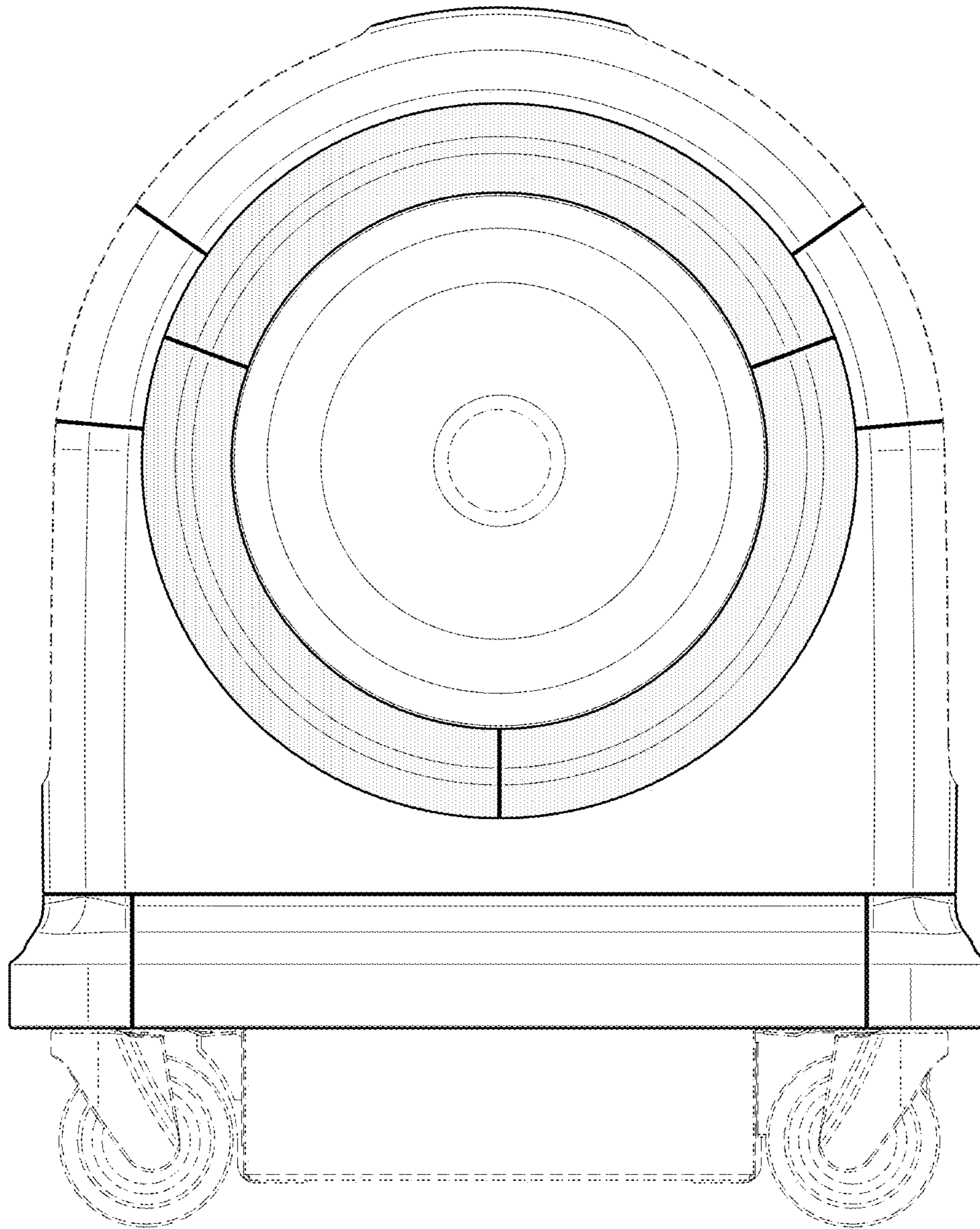


FIG. 2

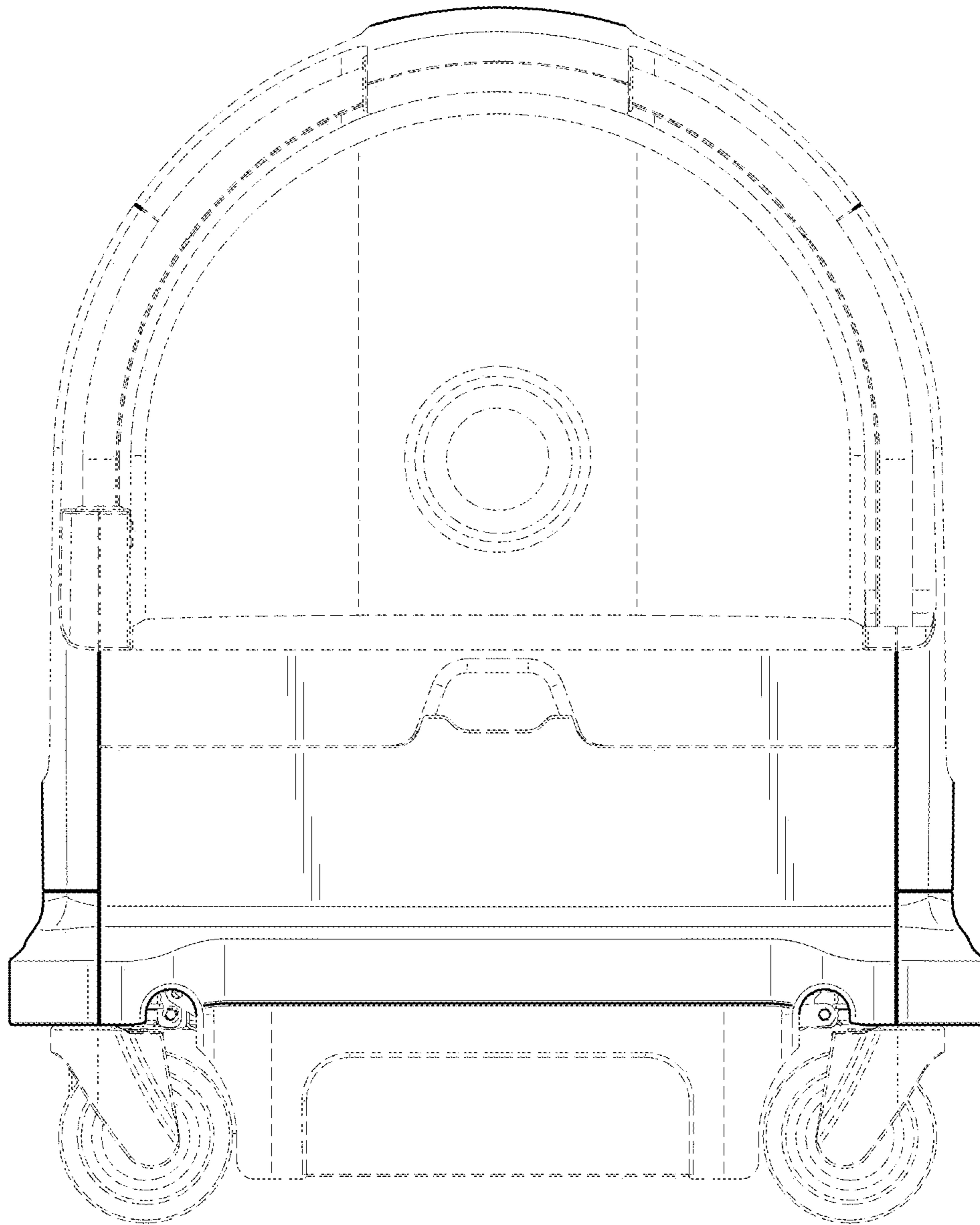


FIG. 3

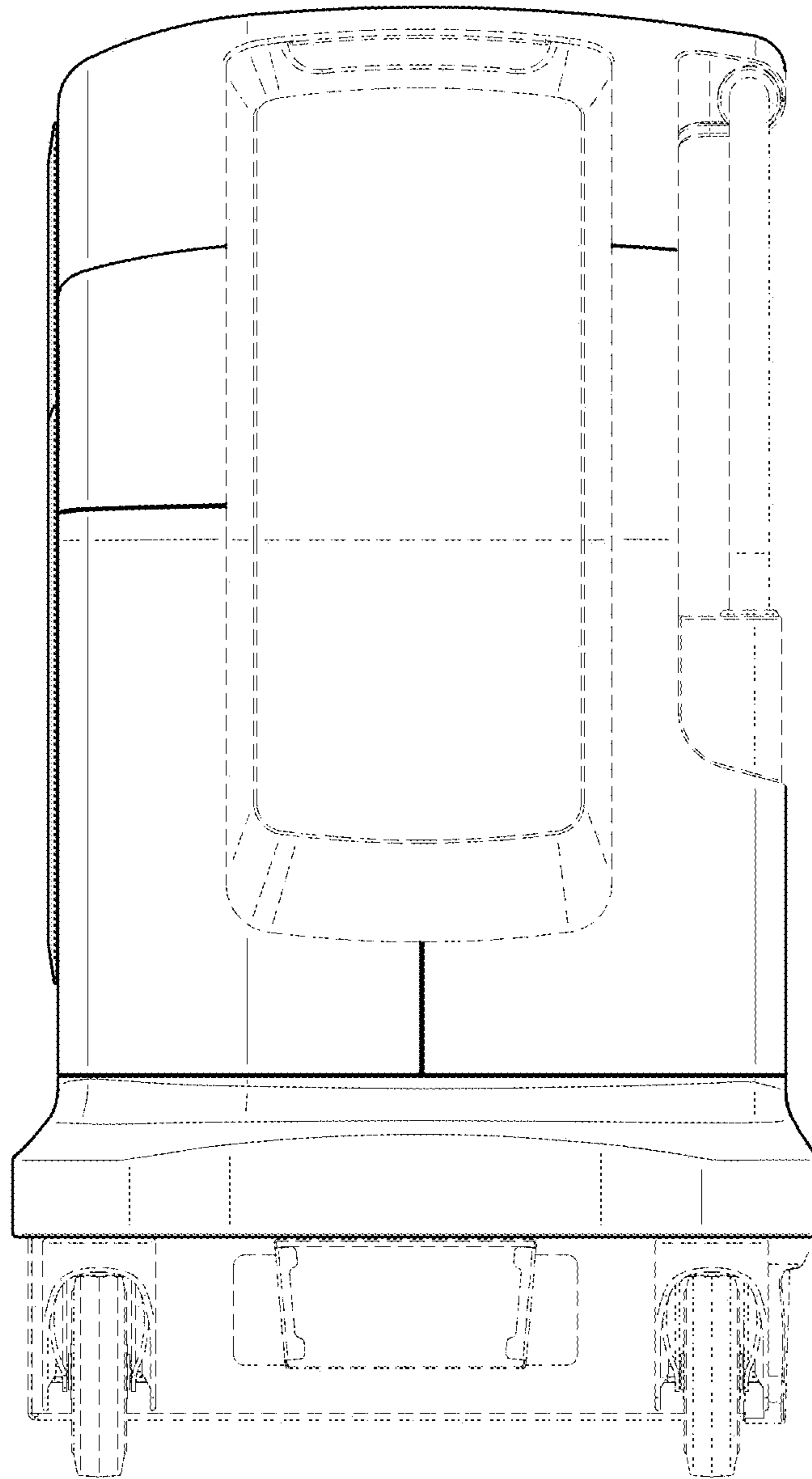


FIG. 4

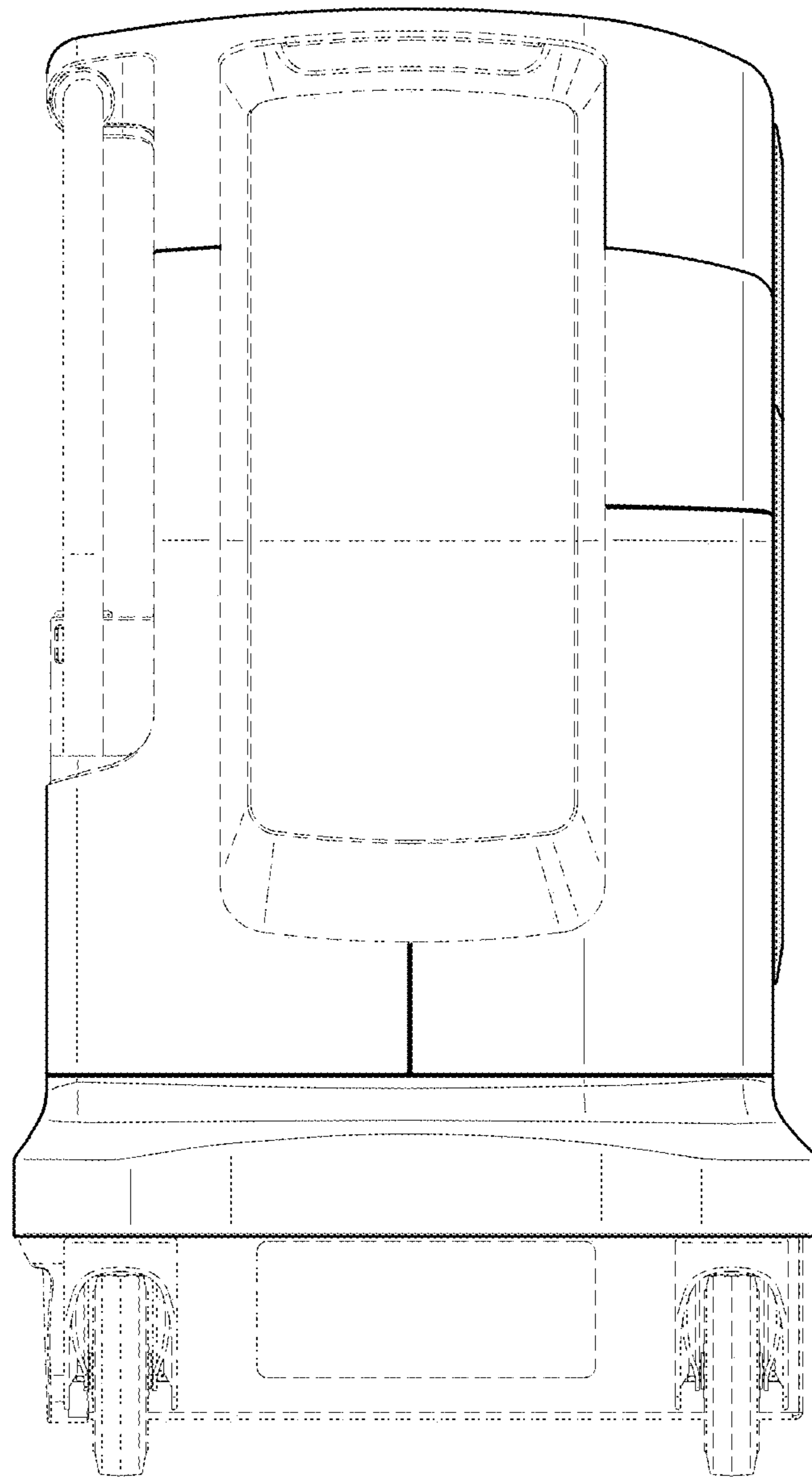


FIG. 5

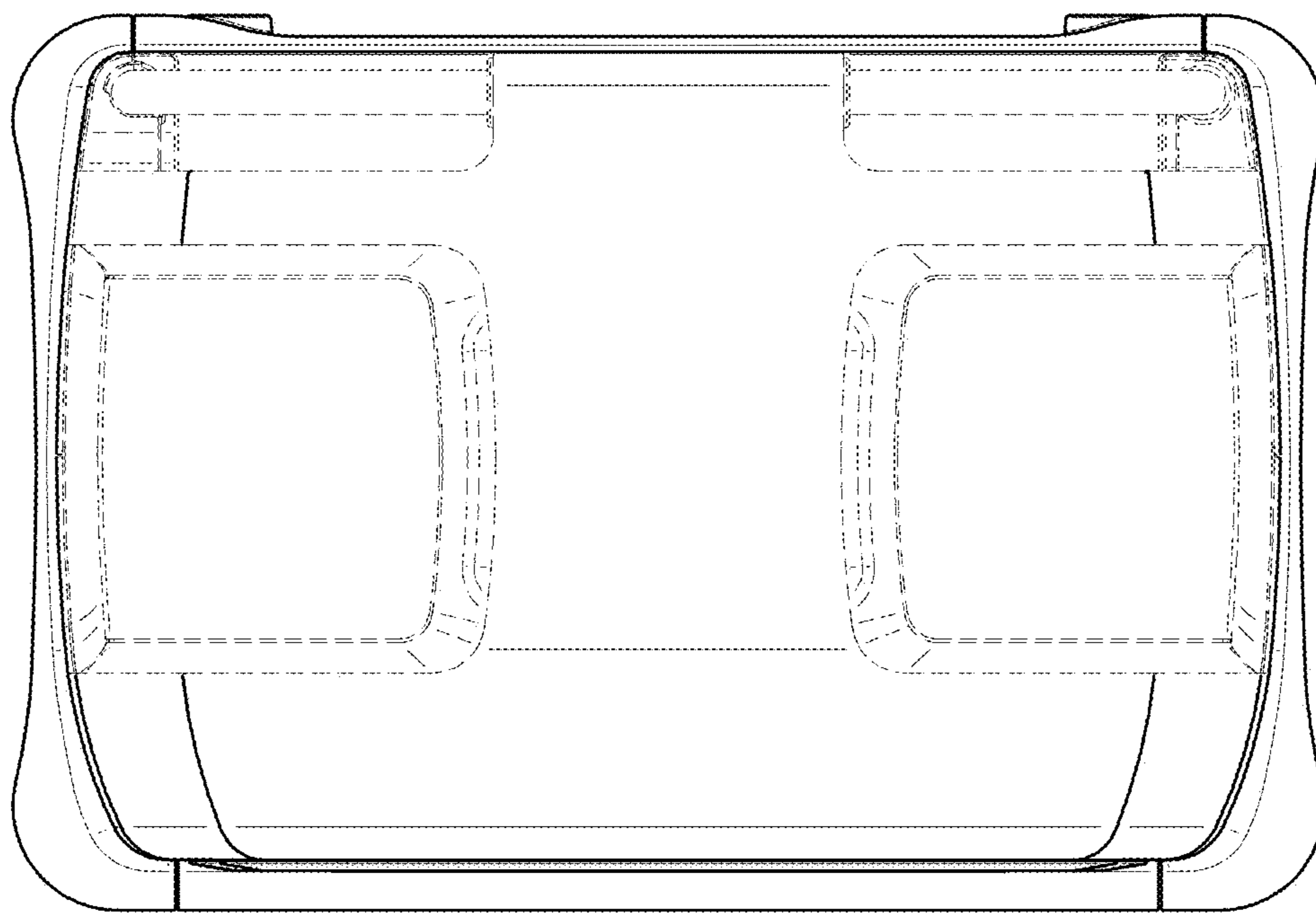


FIG. 6

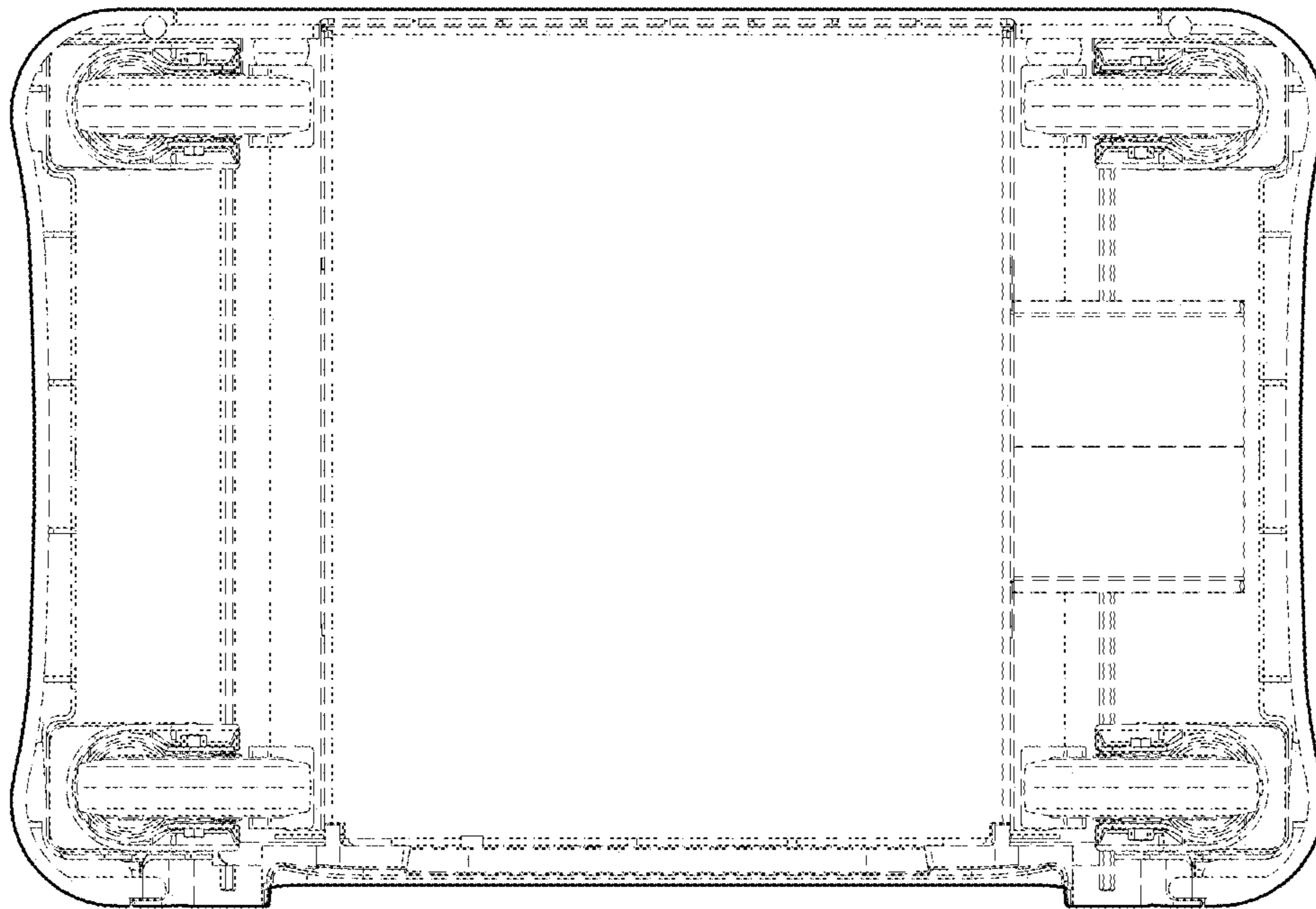


FIG. 7