



US00D895802S

(12) **United States Design Patent** (10) **Patent No.:** **US D895,802 S**  
**Roth** (45) **Date of Patent:** **\*\* Sep. 8, 2020**

(54) **MEDICAL IMAGING SYSTEM**  
(71) Applicant: **Siemens Healthcare GmbH**, Erlangen (DE)  
(72) Inventor: **Nadja Roth**, Bamberg (DE)  
(73) Assignee: **Siemens Healthcare GmbH**, Erlangen (DE)  
(\*\*) Term: **15 Years**  
(21) Appl. No.: **29/678,873**  
(22) Filed: **Jan. 31, 2019**

(30) **Foreign Application Priority Data**  
Aug. 1, 2018 (EM) ..... 005520608  
(51) **LOC (12) Cl.** ..... **24-01**  
(52) **U.S. Cl.**  
USPC ..... **D24/158**  
(58) **Field of Classification Search**  
USPC ..... D24/107, 158-161, 185, 186, 187, 231  
CPC .. A61B 5/05; A61B 5/055; A61B 6/03; A61B 6/035; A61B 6/4405; A61B 6/4411; A61B 6/4435; A61B 6/4441; A61B 6/4447  
See application file for complete search history.

(56) **References Cited**  
**U.S. PATENT DOCUMENTS**  
6,382,833 B2 \* 5/2002 Leandersson ..... A61B 6/4441 378/196  
D553,748 S \* 10/2007 Ogiwara ..... D24/158  
D558,877 S \* 1/2008 Ogiwara ..... D24/158  
D735,863 S 8/2015 Doerre et al.  
D736,387 S 8/2015 Dorre et al.  
D746,986 S \* 1/2016 Marteau ..... D24/159  
D748,264 S 1/2016 Dorre et al.

D748,794 S 2/2016 Dorre et al.  
D748,795 S 2/2016 Dorre et al.  
D748,800 S \* 2/2016 Ohmukai ..... D24/158  
D796,043 S \* 8/2017 Boehner ..... D24/158  
\* cited by examiner

*Primary Examiner* — Anhdao Doan  
(74) *Attorney, Agent, or Firm* — Schiff Hardin LLP

(57) **CLAIM**  
The ornamental design for a medical imaging system, as shown and described.

**DESCRIPTION**

The patent or application file contains at least one drawing executed in color. Copies of this patent or patent application publication with color drawing(s) will be provided by the Office upon request and payment of the necessary fee.  
FIG. 1 is a front view of an embodiment of a medical imaging system showing our new design;  
FIG. 2 is a back elevational view thereof;  
FIG. 3 is a top plan view thereof;  
FIG. 4 is a bottom plan view thereof;  
FIG. 5 is a right side elevational view thereof;  
FIG. 6 is a left side elevational view thereof; and  
FIG. 7 is a perspective view taken generally from the upper, front, right-hand side thereof.  
FIG. 8 is a front view of another embodiment of a medical imaging system showing our new design;  
FIG. 9 is a back elevational view thereof;  
FIG. 10 is a top plan view thereof;  
FIG. 11 is a bottom plan view thereof;  
FIG. 12 is a right side elevational view thereof;  
FIG. 13 is a left side elevational view thereof; and,  
FIG. 14 is a perspective view taken generally from the upper, front, left-hand side thereof.

**1 Claim, 14 Drawing Sheets**  
**(6 of 14 Drawing Sheet(s) Filed in Color)**

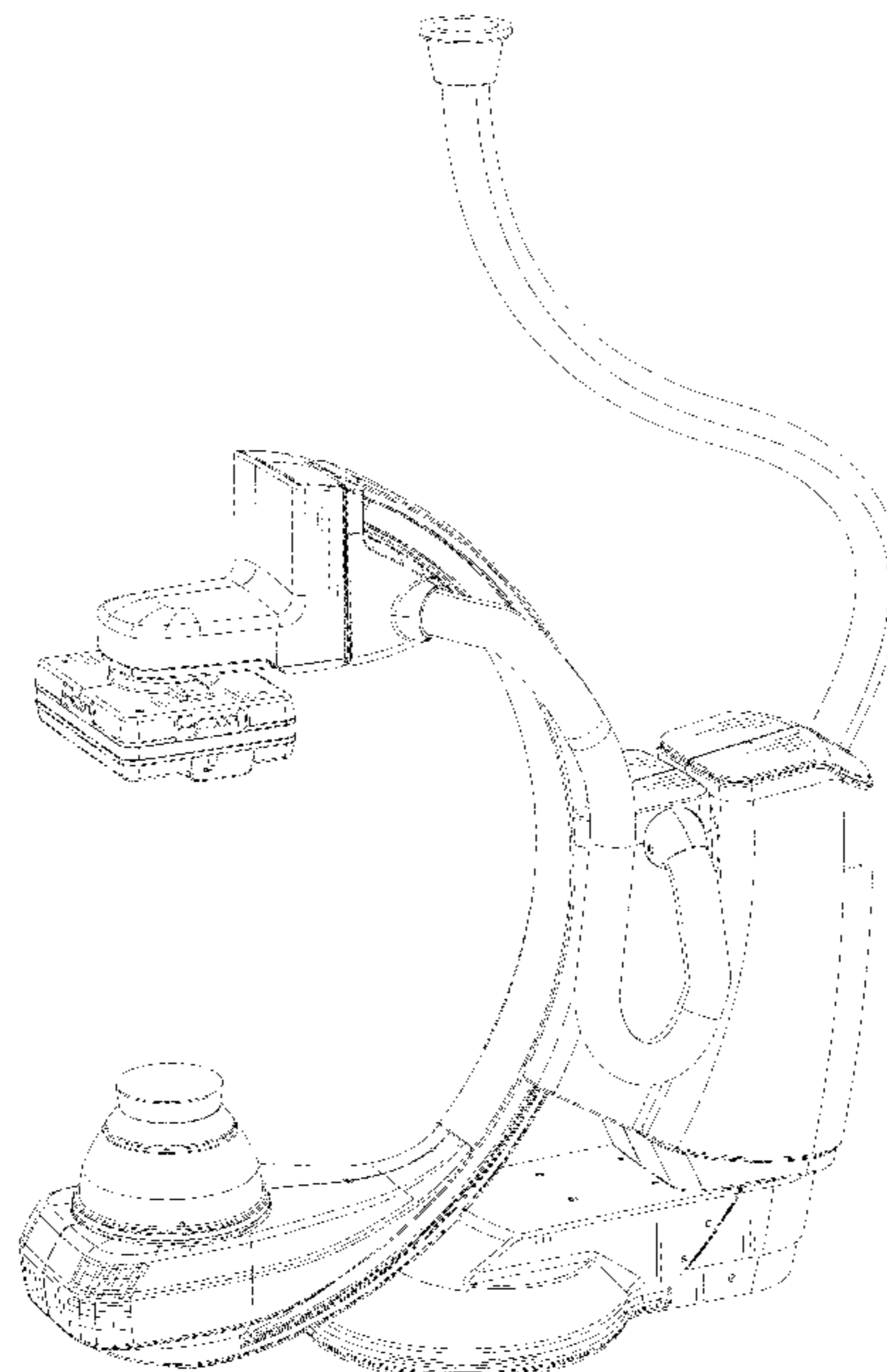


FIG. 1

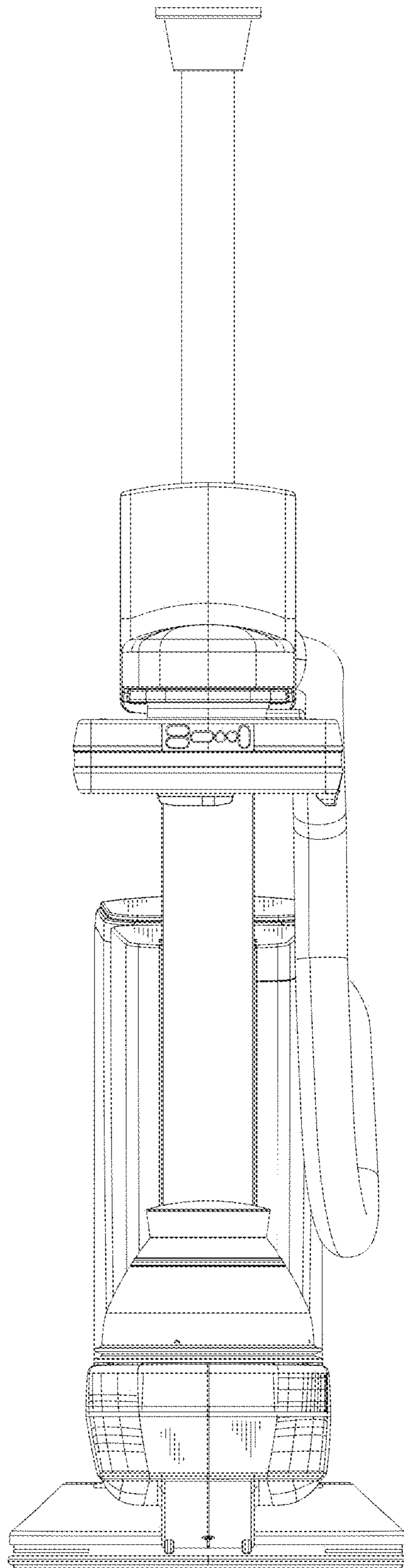


FIG. 2

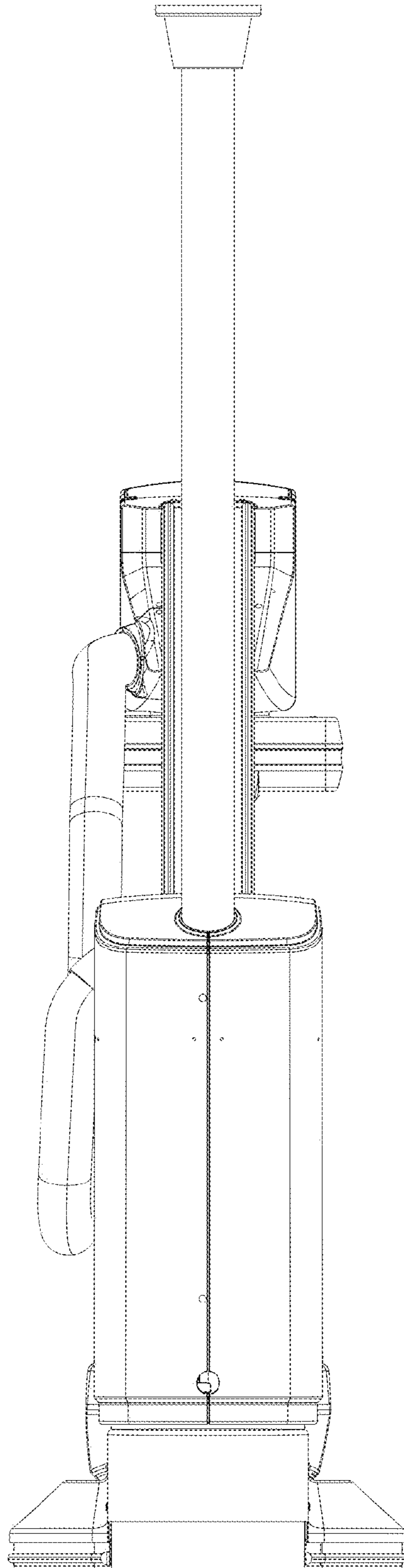


FIG. 3

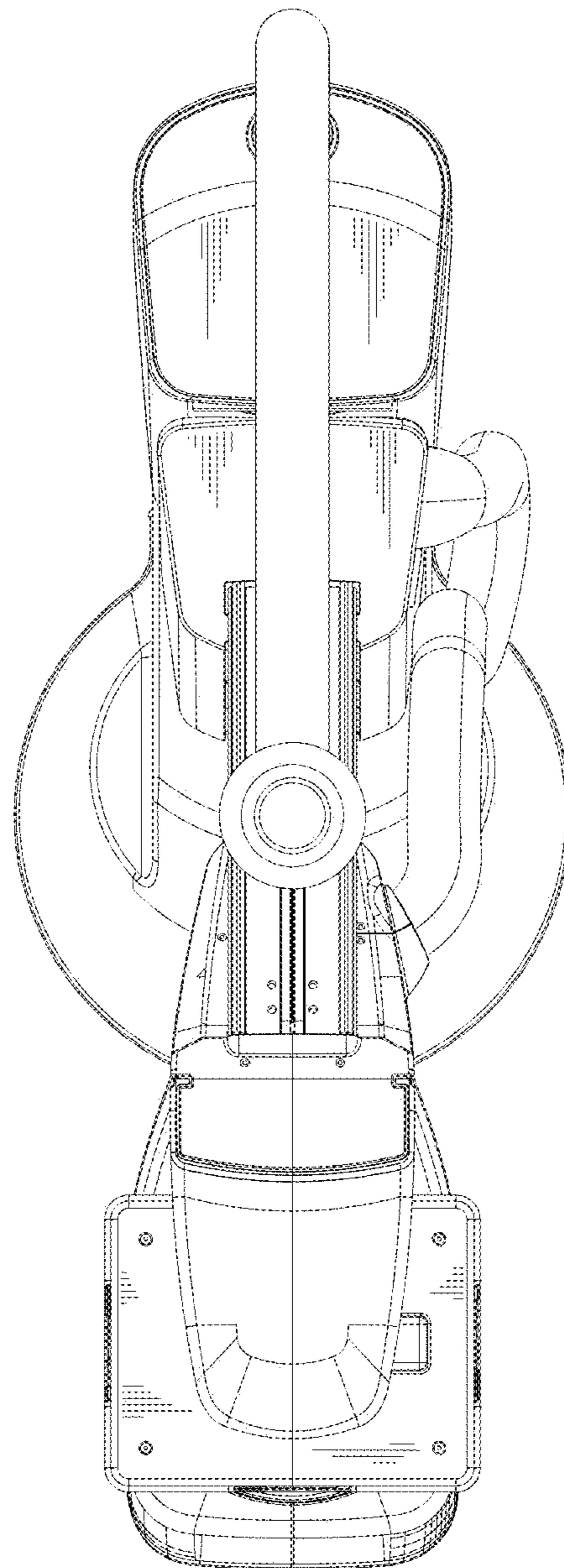


FIG. 4

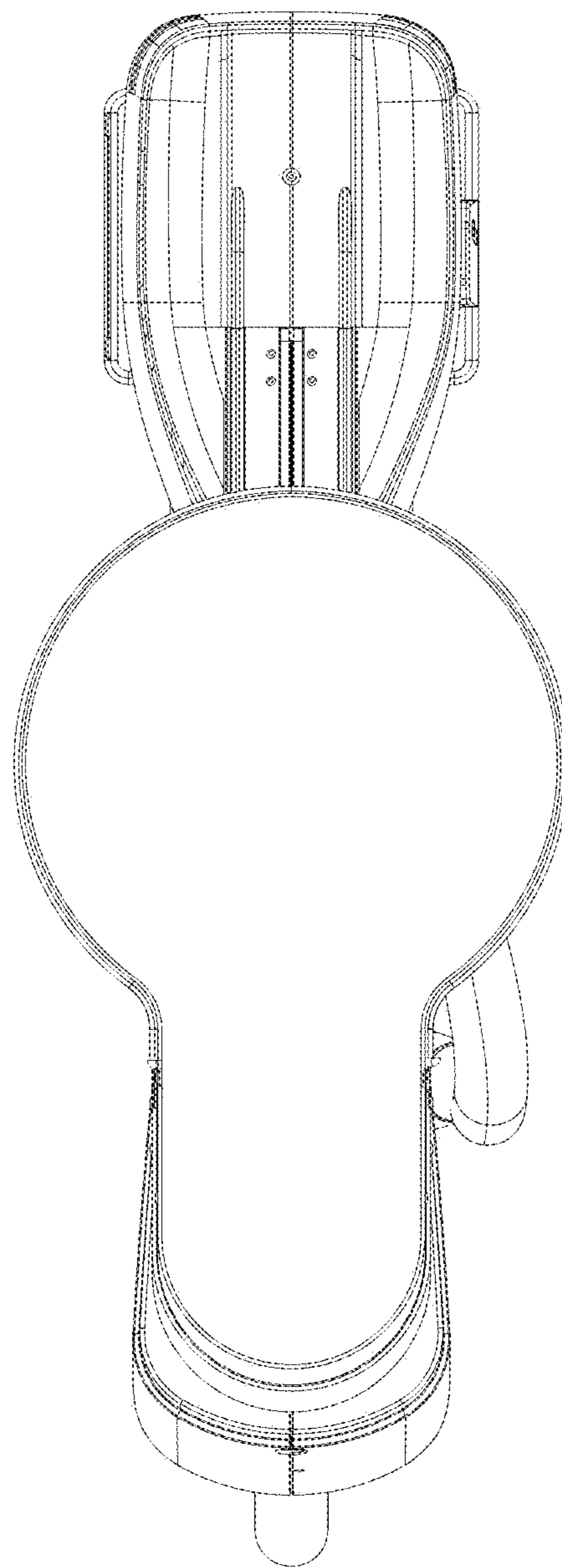


FIG. 5

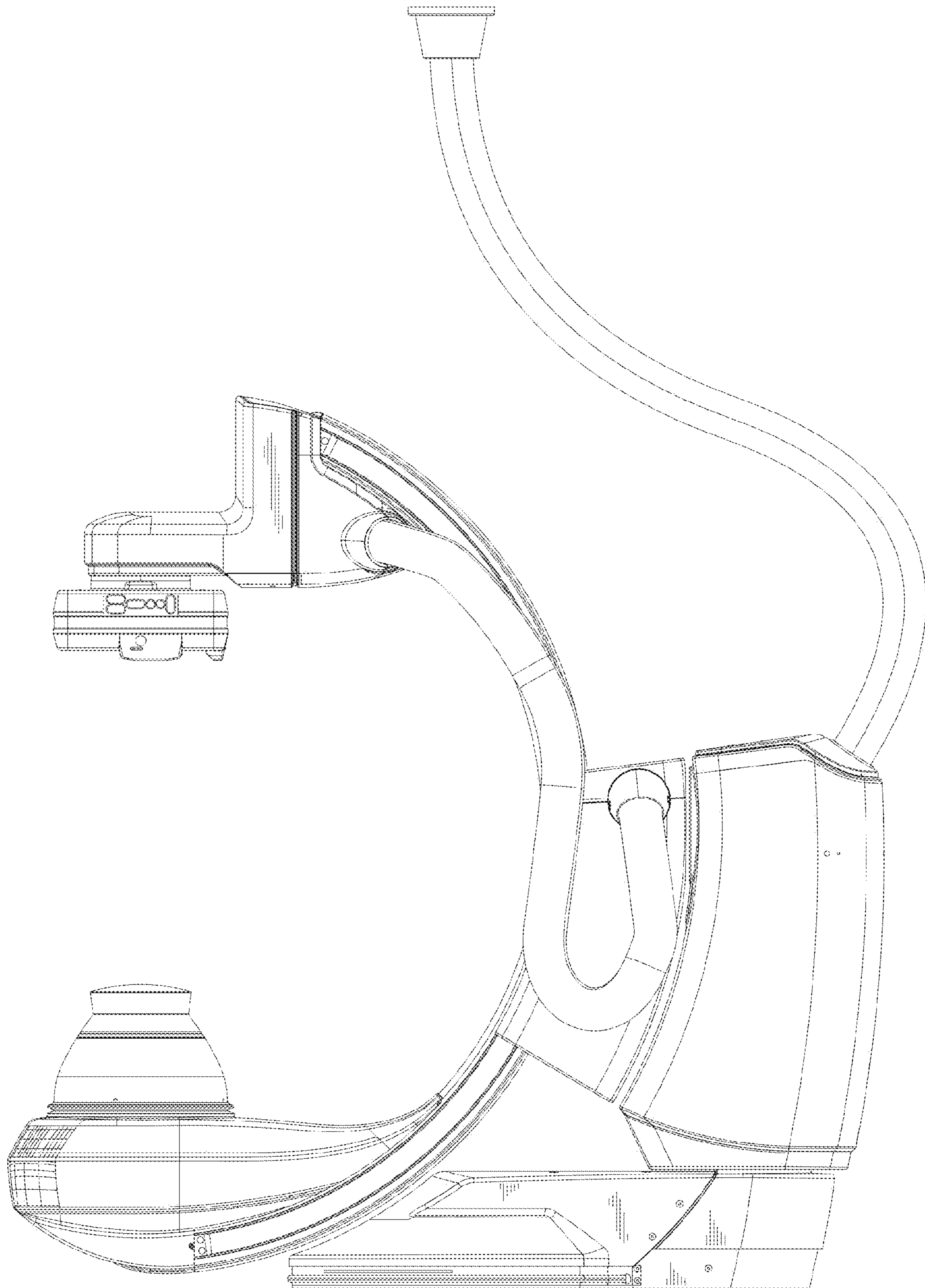


FIG. 6

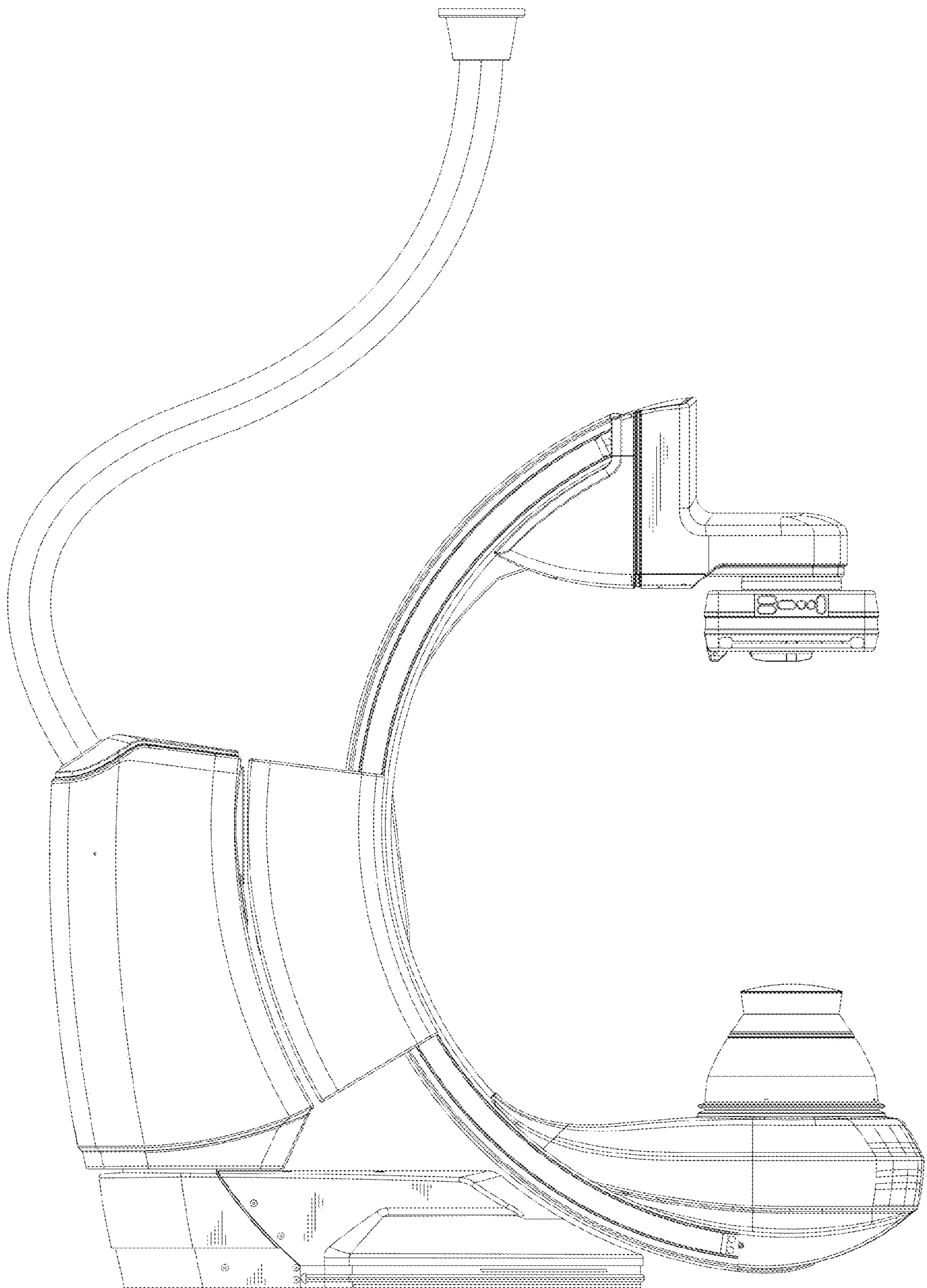


FIG. 7

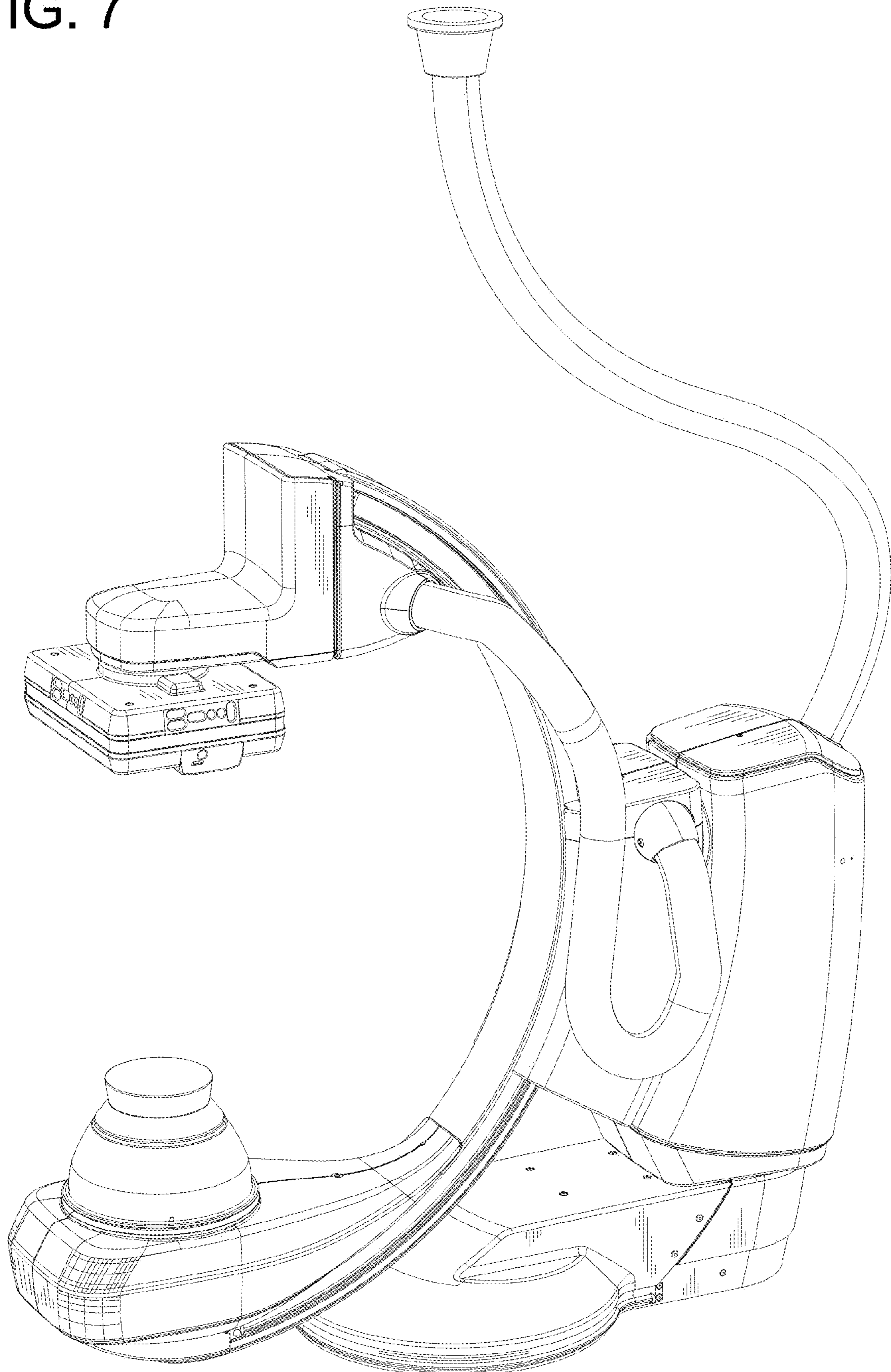




FIG. 8

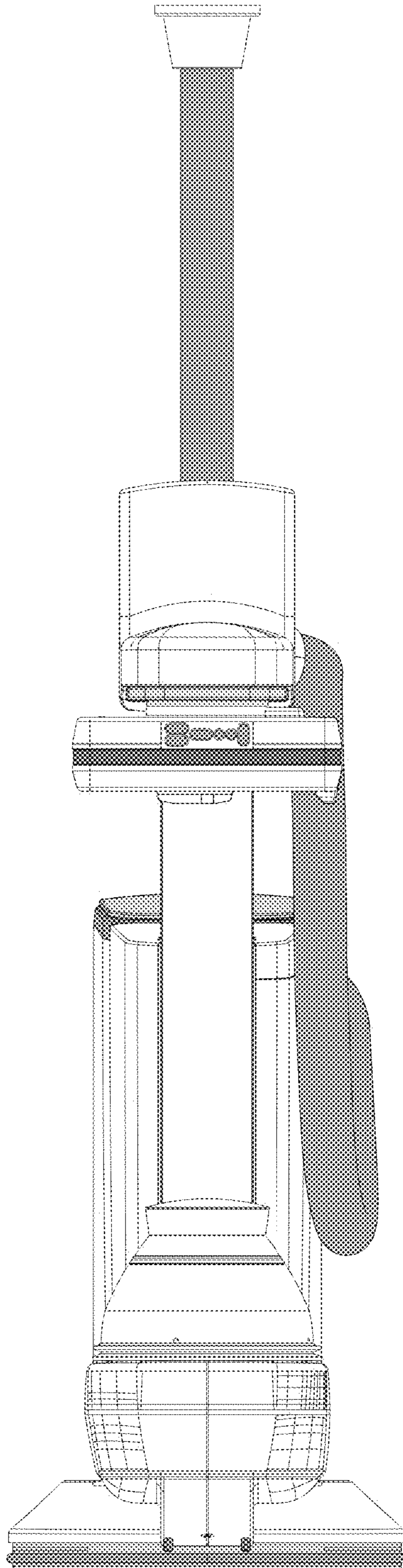


FIG. 9

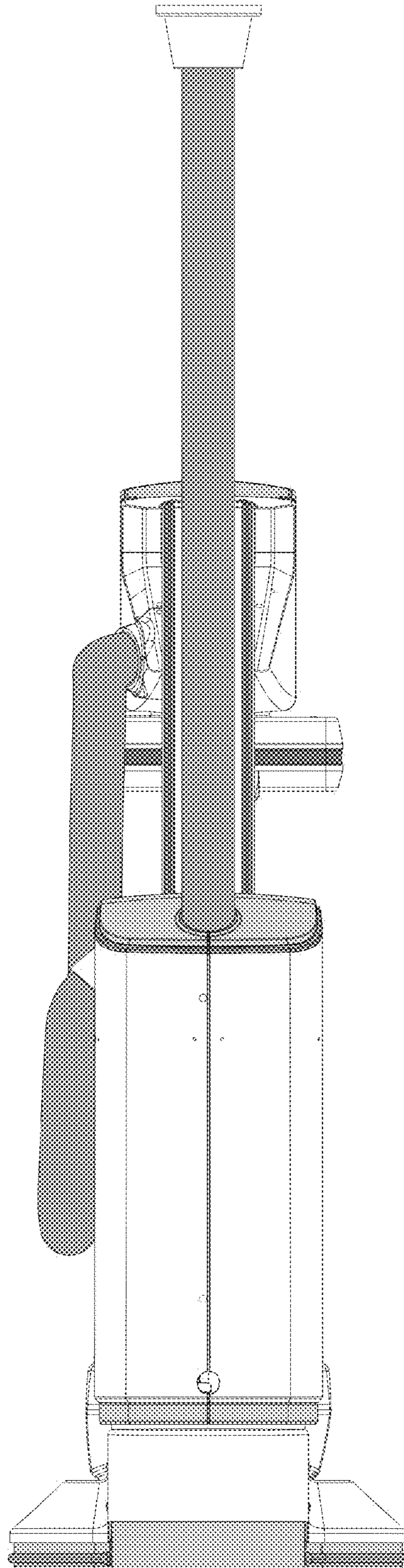


FIG. 10

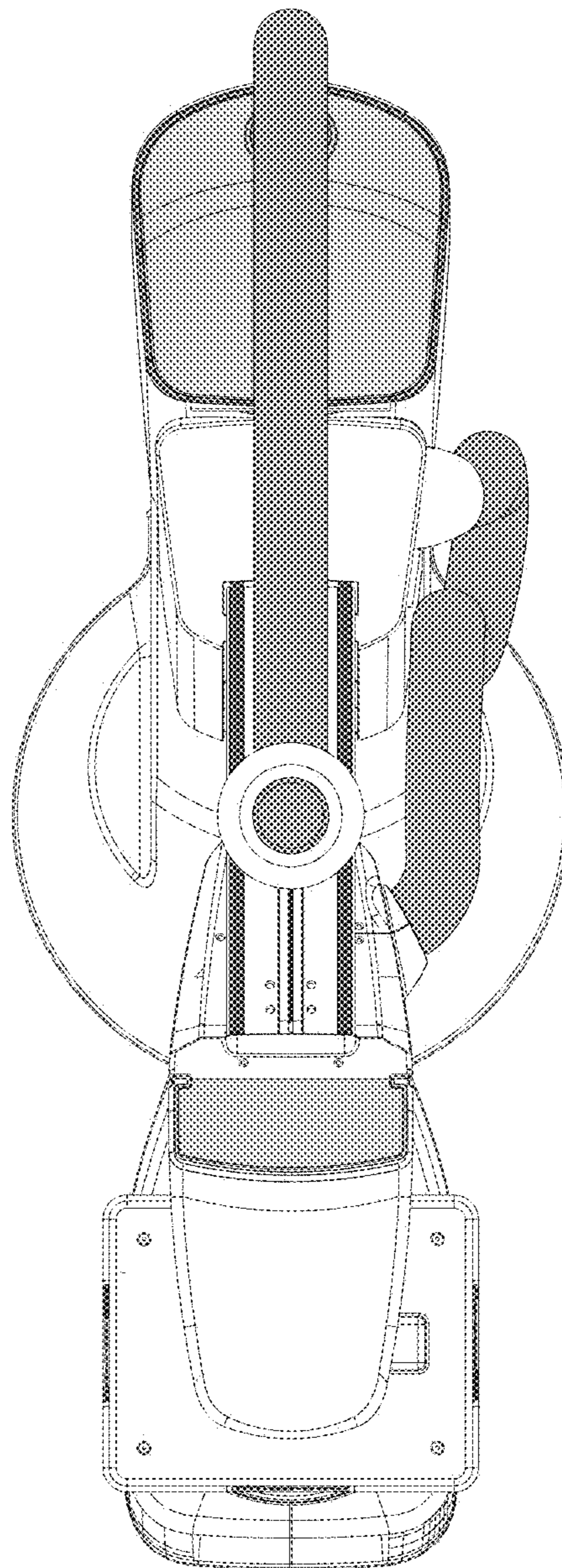


FIG. 11

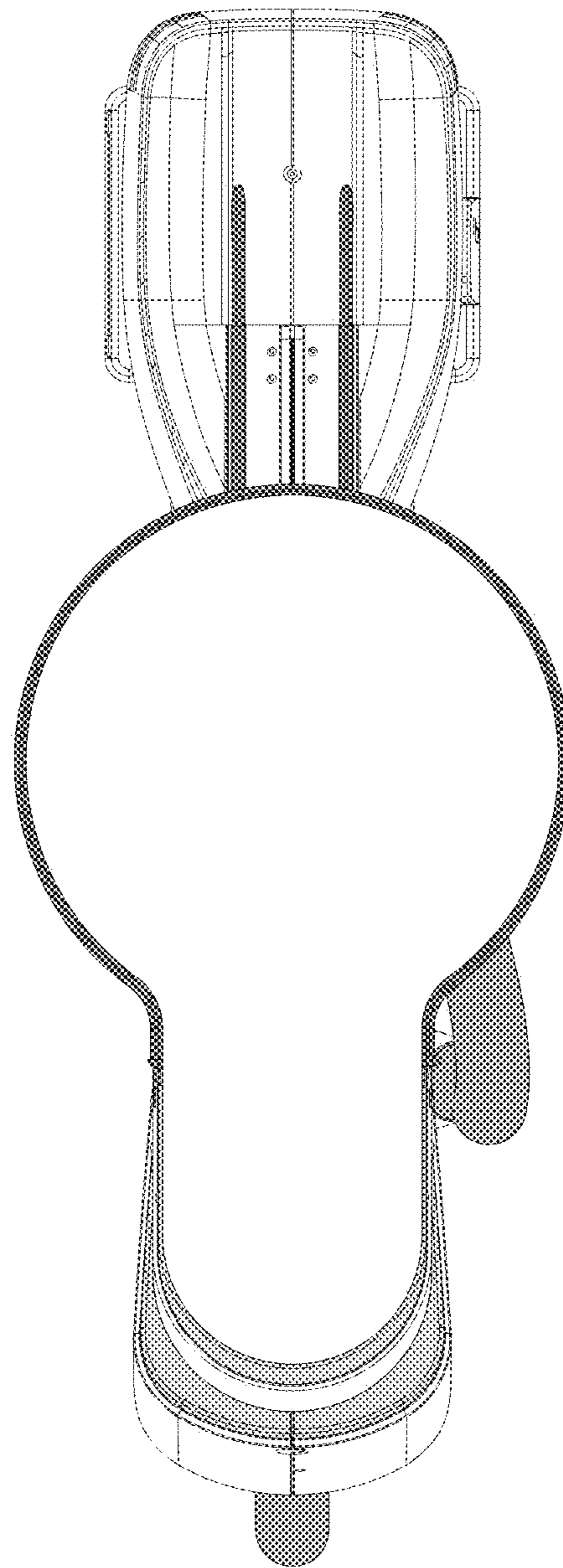


FIG. 12

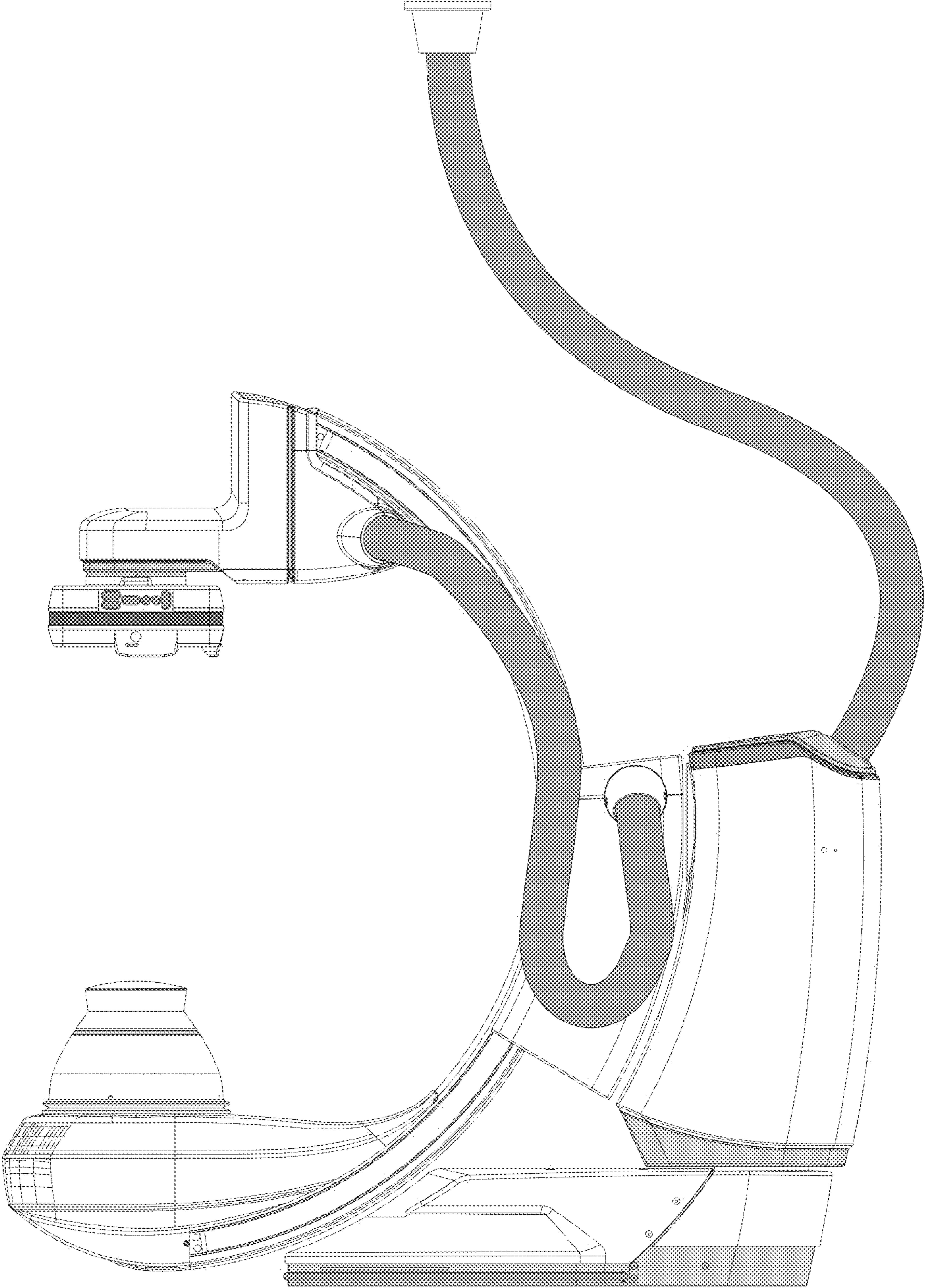


FIG. 13

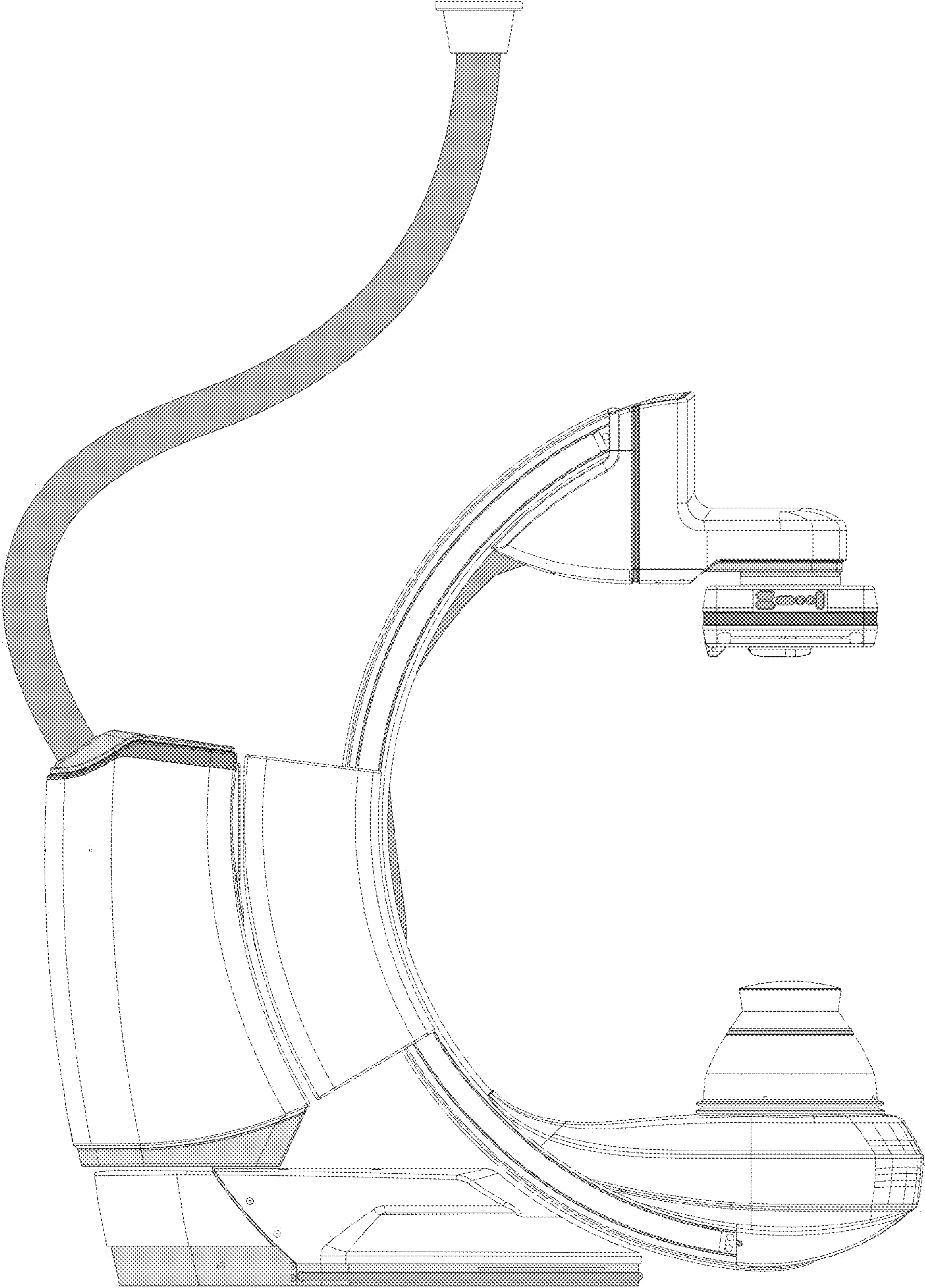


FIG. 14

