



US00D895799S

(12) **United States Design Patent** (10) **Patent No.:** **US D895,799 S**  
**Newman et al.** (45) **Date of Patent:** **\*\* Sep. 8, 2020**

(54) **MENSTRUAL CUP WITH EXTENDED GRIP RINGS**

D766,427 S \* 9/2016 Kurov ..... D24/121  
D832,438 S \* 10/2018 Brockway ..... D24/141  
D836,196 S \* 12/2018 Ahn ..... D24/141  
D841,808 S \* 2/2019 Drach ..... D24/141  
2006/0058761 A1 3/2006 Kudo et al.  
2008/0160856 A1 7/2008 Chen et al.

(71) Applicant: **LYV Life, Inc.**, San Francisco, CA (US)

(Continued)

(72) Inventors: **Morgen Newman**, San Francisco, CA (US); **Molly Hayward**, San Francisco, CA (US); **Emma Sandrolini**, San Francisco, CA (US)

FOREIGN PATENT DOCUMENTS

CN 201822974 U 5/2011  
CN 105559976 A 5/2016  
JP 2017093950 A 6/2017

(73) Assignee: **LYV LIFE, INC.**, San Francisco, CA (US)

OTHER PUBLICATIONS

(\*\*) Term: **15 Years**

Co-pending U.S. Appl. No. 29/682,142, filed Mar. 1, 2019.

(21) Appl. No.: **29/682,149**

(Continued)

(22) Filed: **Mar. 1, 2019**

*Primary Examiner* — Wan Laymon

(51) **LOC (12) Cl.** ..... **24-02**

*Assistant Examiner* — Clint A Samuel

(52) **U.S. Cl.**  
USPC ..... **D24/141**

(74) *Attorney, Agent, or Firm* — Wilson Sonsini Goodrich & Rosati

(58) **Field of Classification Search**  
USPC ..... D24/107, 121, 124, 125, 141, 200, 215;  
D7/700; 604/328, 329, 330  
CPC .... A61F 5/455; A61F 5/4553; A61F 13/2045;  
A61F 6/06; A61F 6/08; A61F 6/12; A61F  
2/04; A61F 2/005; A61F 2/0009; A61F  
2/0027; A61F 2/0036; A61F 2/0045;  
A61B 1/303; A61H 21/00; A61H 19/00;  
A61H 19/40; A61H 19/44; A61J 1/00;  
A61J 1/05

See application file for complete search history.

(57) **CLAIM**

The ornamental design for a menstrual cup with extended grip rings, as shown and described.

**DESCRIPTION**

FIG. 1 is a top perspective view of the menstrual cup with extended grip rings, as seen from the top, front, and side; FIG. 2 is a front elevation view thereof; FIG. 3 is a rear elevation view thereof; FIG. 4 is a right side elevation view thereof; FIG. 5 is a left side elevation view thereof; FIG. 6 is a top plan view thereof; and, FIG. 7 is a bottom plan view thereof.

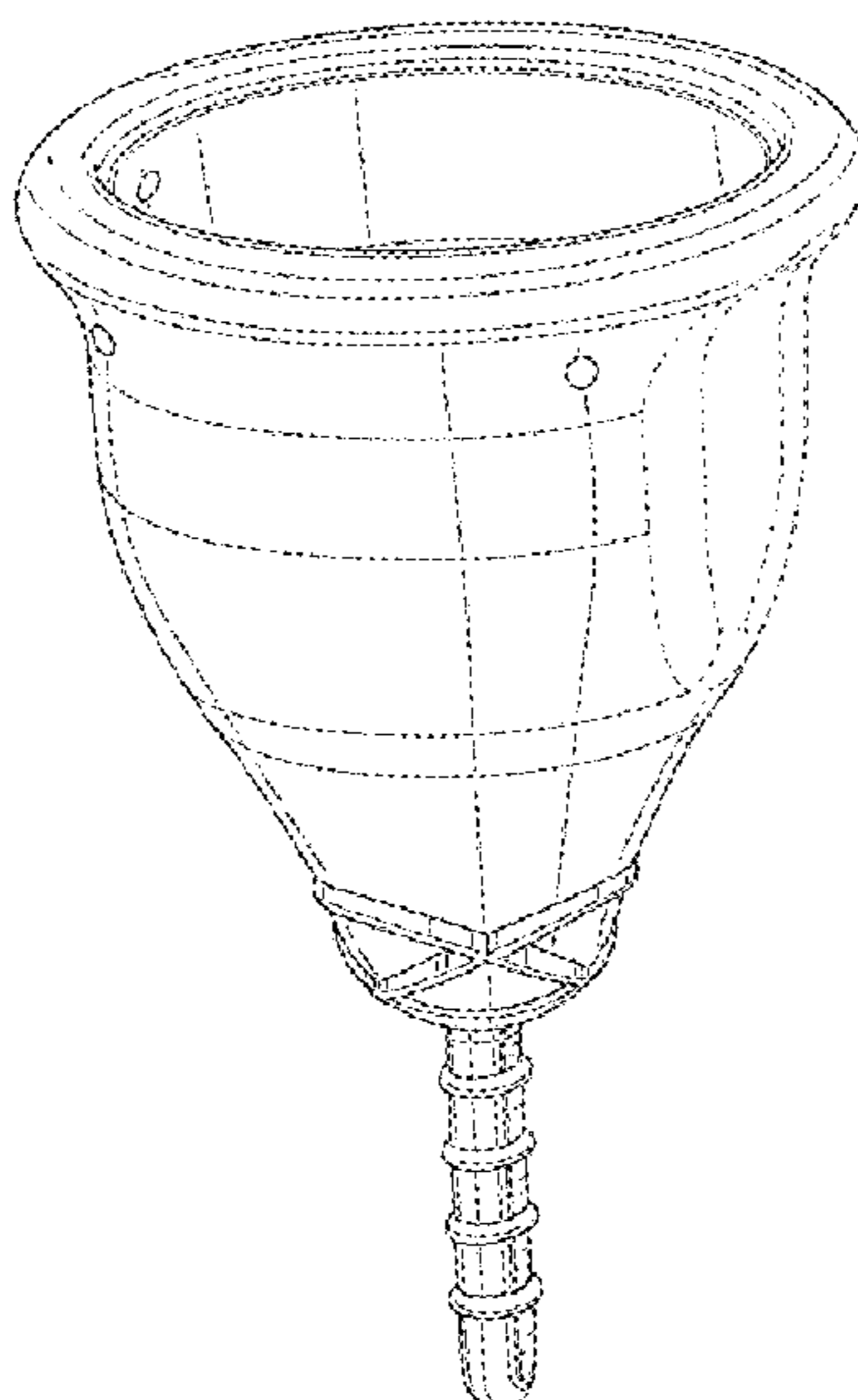
The broken line depiction of a menstrual cup with extended grip rings is included for the purpose of illustrating environmental structure and forms no part of the claimed design.

(56) **References Cited**

U.S. PATENT DOCUMENTS

3,404,682 A \* 10/1968 Waldron ..... A61F 6/12  
604/330  
D323,212 S \* 1/1992 Crawford ..... D24/121  
5,397,316 A 3/1995 Lavon et al.  
5,520,674 A 5/1996 Lavon et al.

**1 Claim, 6 Drawing Sheets**



(56)

**References Cited**

U.S. PATENT DOCUMENTS

2010/0280474 A1 11/2010 Bruzadin et al.  
2015/0080837 A1 3/2015 Rosati et al.

OTHER PUBLICATIONS

Co-pending U.S. Appl. No. 29/682,143, filed Mar. 1, 2019.  
Co-pending U.S. Appl. No. 29/682,145, filed Mar. 1, 2019.  
Co-pending U.S. Appl. No. 29/682,148, filed Mar. 1, 2019.  
PCT/US2018/066316 International Search Report and Written Opinion dated Mar. 14, 2019.  
PCT/US2020/023175 International Search Report and Written Opinion dated Jun. 12, 2020.

\* cited by examiner

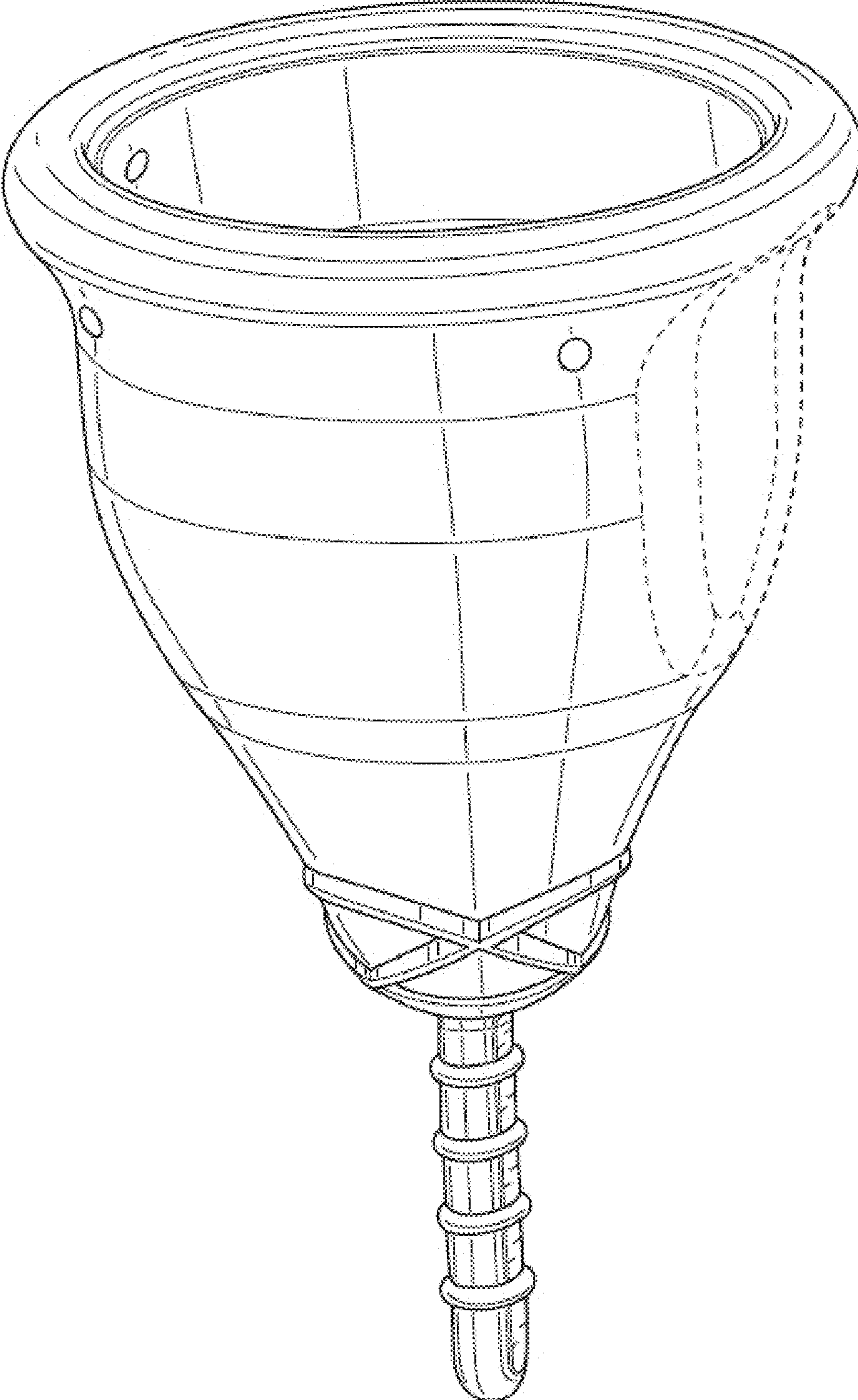


FIG. 1

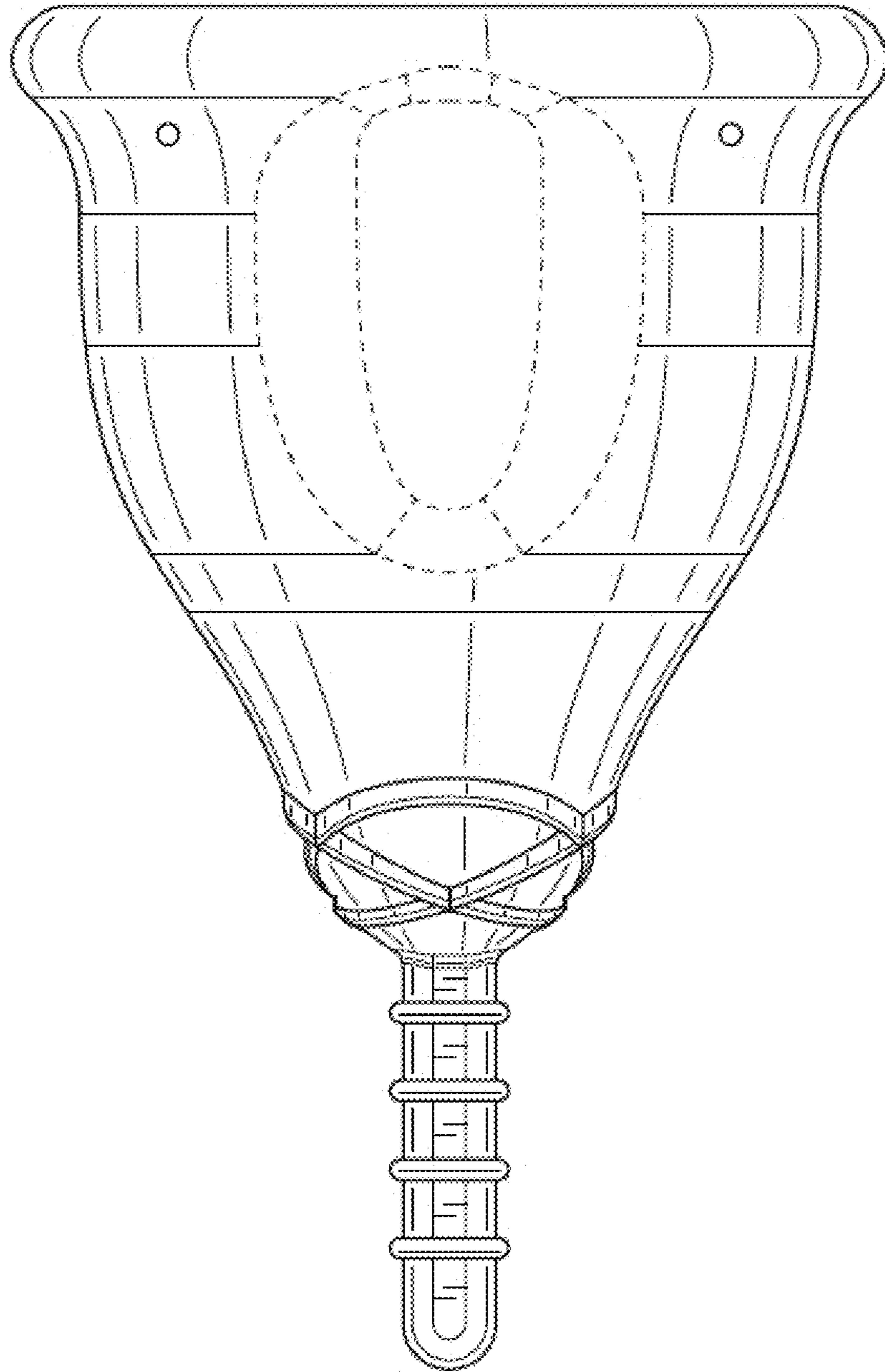


FIG. 2



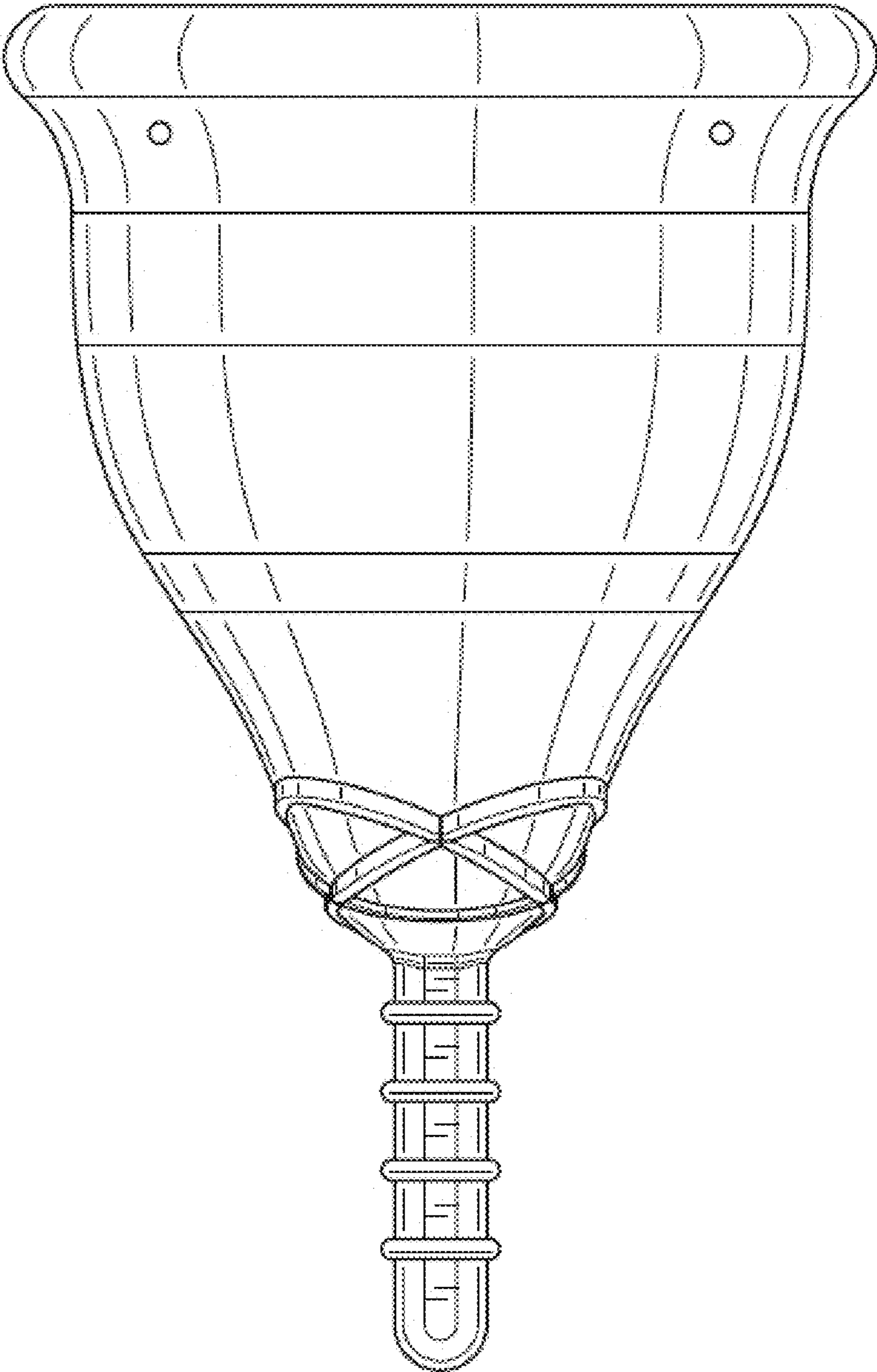


FIG. 3

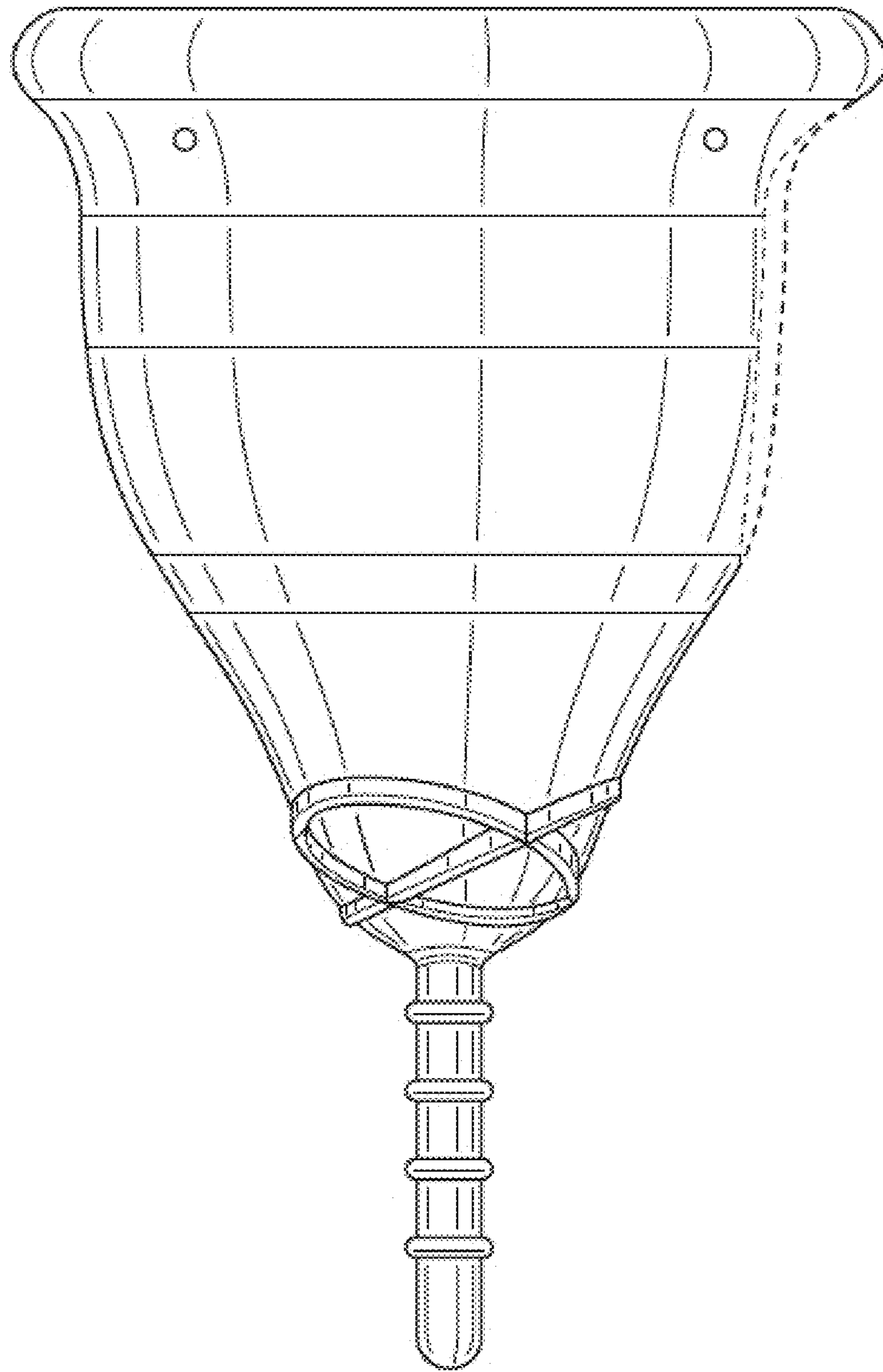


FIG. 4

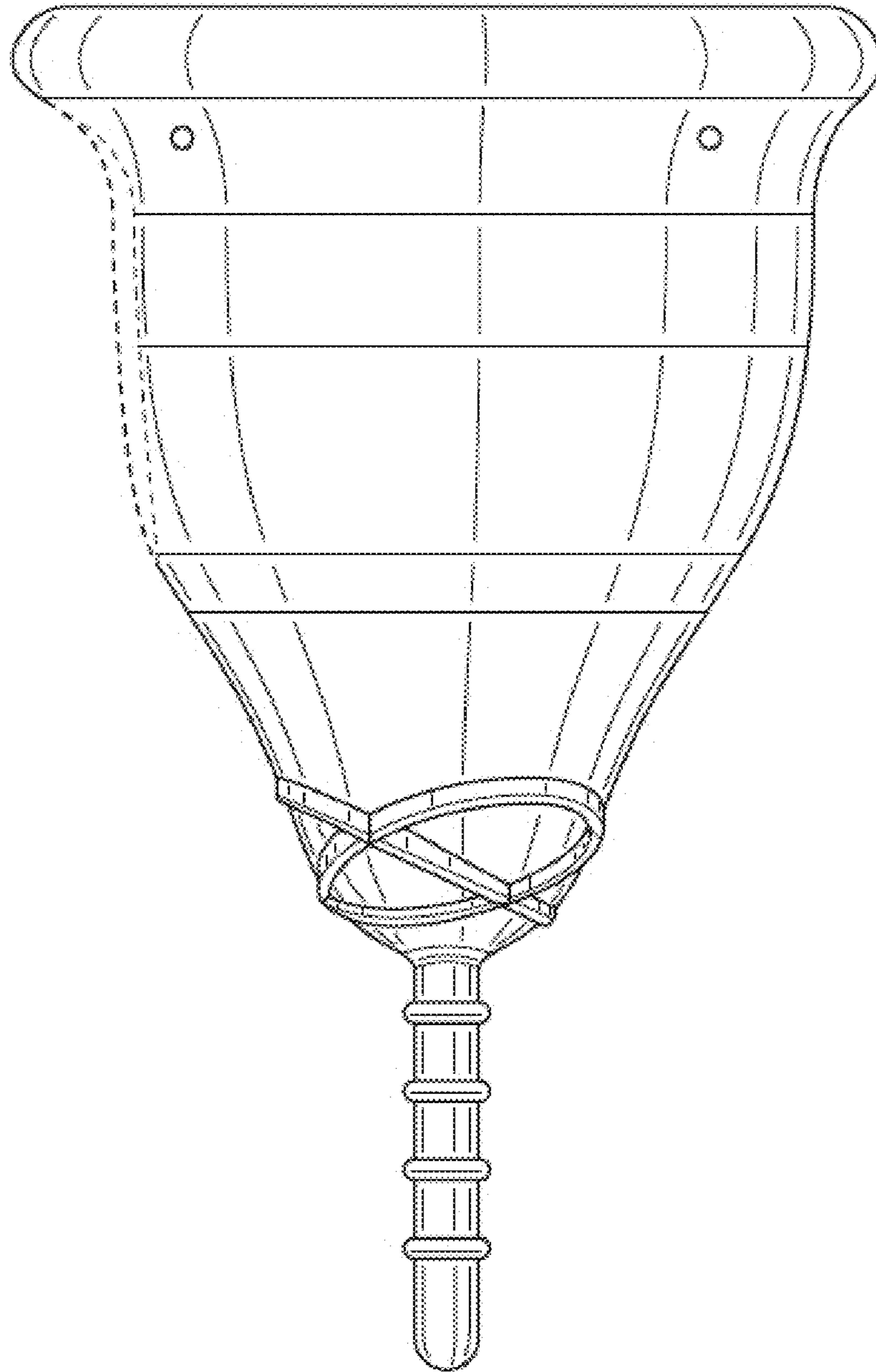


FIG. 5

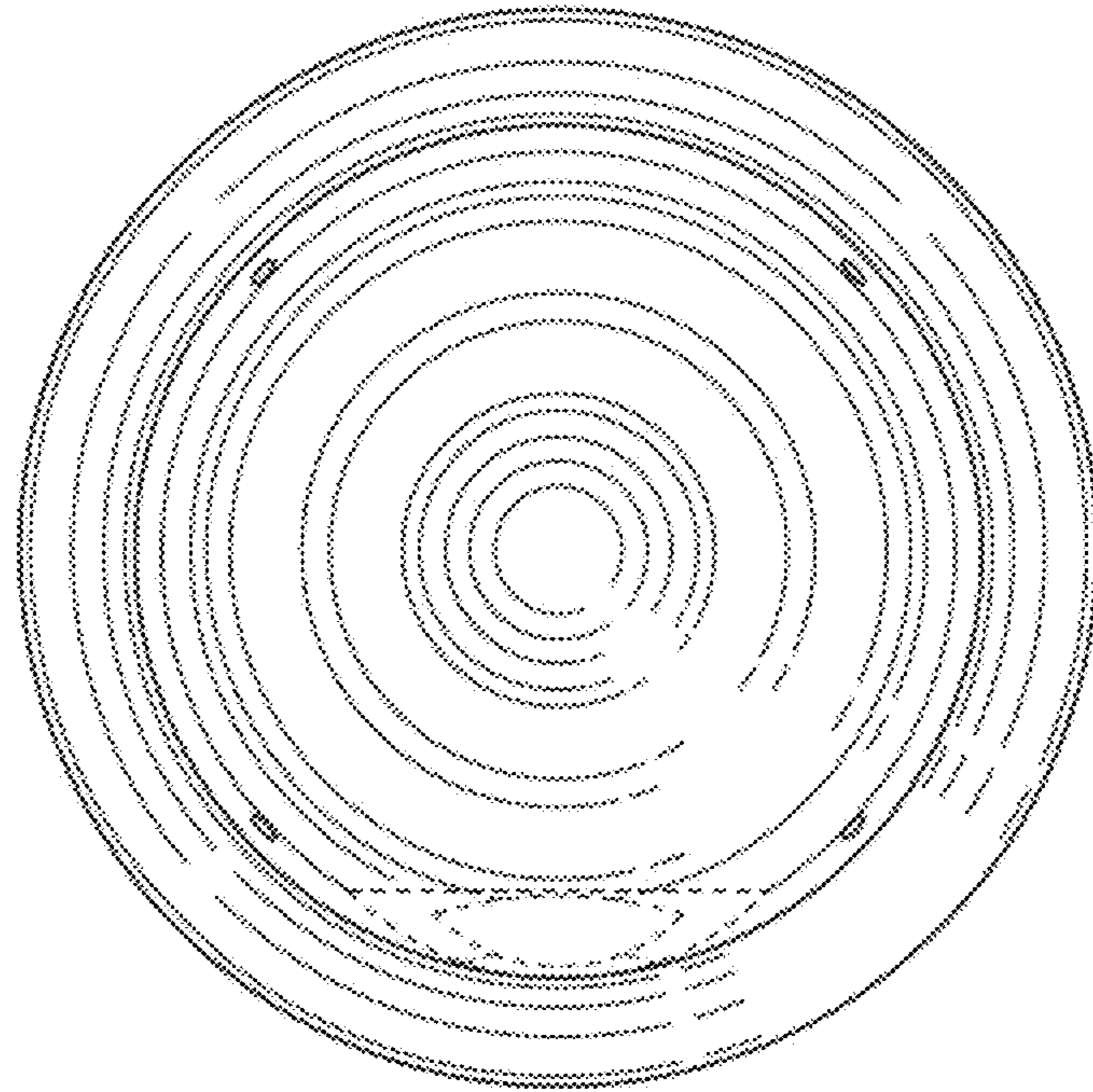


FIG. 6

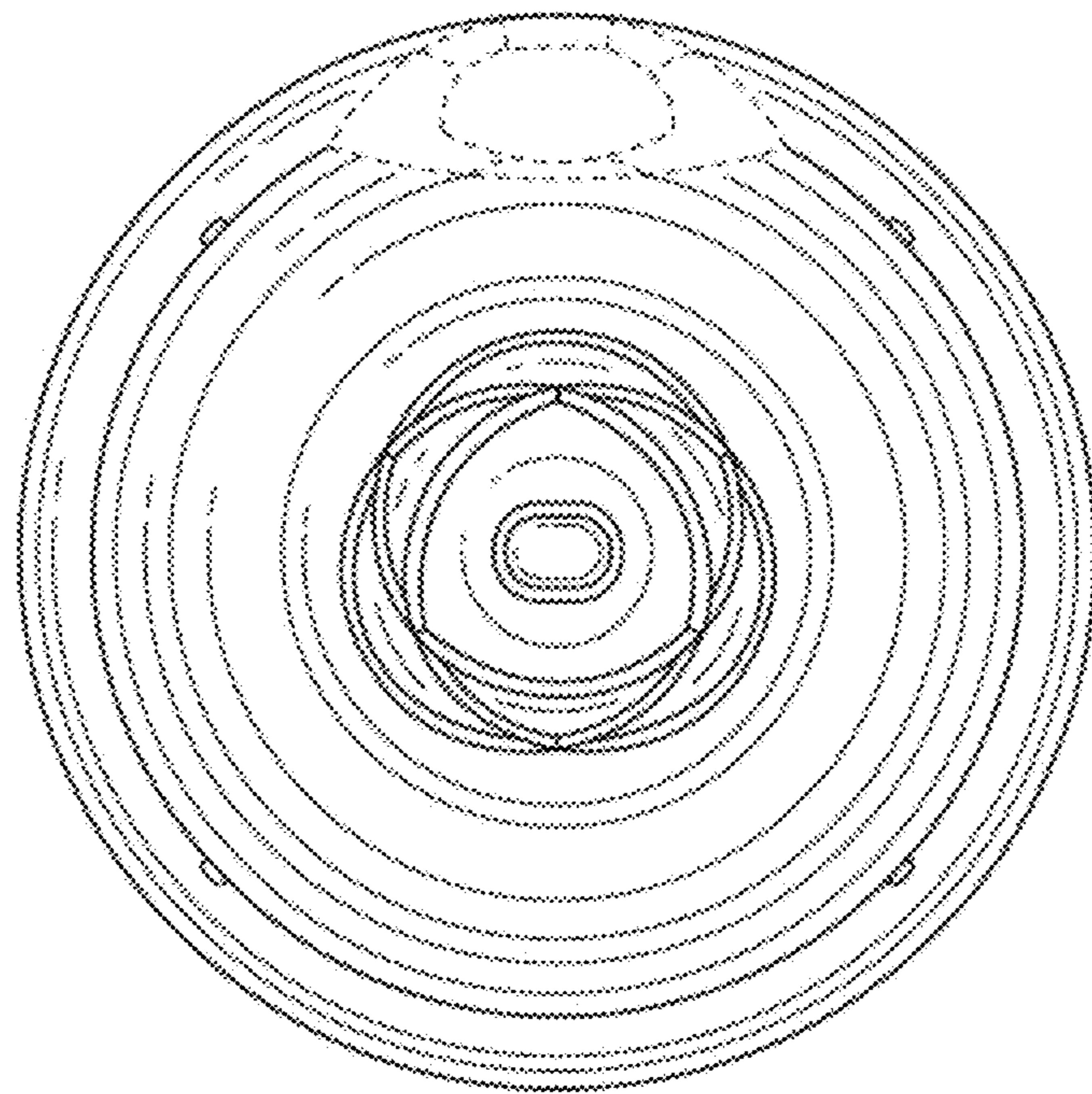


FIG. 7