



US00D895798S

(12) **United States Design Patent** (10) **Patent No.:** **US D895,798 S**
Newman et al. (45) **Date of Patent:** **** Sep. 8, 2020**

(54) **MENSTRUAL CUP WITH GRIP RINGS**
(71) Applicant: **LYV Life, Inc.**, San Francisco, CA (US)
(72) Inventors: **Morgen Newman**, San Francisco, CA (US); **Molly Hayward**, San Francisco, CA (US); **Emma Sandrolini**, San Francisco, CA (US)
(73) Assignee: **LYV LIFE, INC.**, San Francisco, CA (US)

D832,438 S * 10/2018 Brockway D24/141
D836,196 S * 12/2018 Ahn D24/141
D841,808 S * 2/2019 Drach D24/141
2006/0058761 A1 3/2006 Kudo et al.
2008/0160856 A1 7/2008 Chen et al.
2010/0280474 A1 11/2010 Bruzadin et al.
2015/0080837 A1 3/2015 Rosati et al.

FOREIGN PATENT DOCUMENTS

CN 201822974 U 5/2011
CN 105559976 A 5/2016
JP 2017093950 A 6/2017

OTHER PUBLICATIONS

Co-pending U.S. Appl. No. 29/682,142, filed Mar. 1, 2019.
(Continued)

Primary Examiner — Wan Laymon
Assistant Examiner — Clint A Samuel
(74) *Attorney, Agent, or Firm* — Wilson Sonsini Goodrich & Rosati

(**) Term: **15 Years**
(21) Appl. No.: **29/682,148**
(22) Filed: **Mar. 1, 2019**
(51) **LOC (12) Cl.** **24-02**
(52) **U.S. Cl.**
USPC **D24/141**
(58) **Field of Classification Search**
USPC D24/107, 121, 124, 125, 141, 200, 215;
D7/700; 604/328, 329, 330
CPC A61F 5/455; A61F 5/4553; A61F 13/2045;
A61F 6/06; A61F 6/08; A61F 6/12; A61F
2/04; A61F 2/005; A61F 2/0009; A61F
2/0027; A61F 2/0036; A61F 2/0045;
A61B 1/303; A61H 21/00; A61H 19/00;
A61H 19/40; A61H 19/44; A61J 1/00;
A61J 1/05
See application file for complete search history.

(57) **CLAIM**

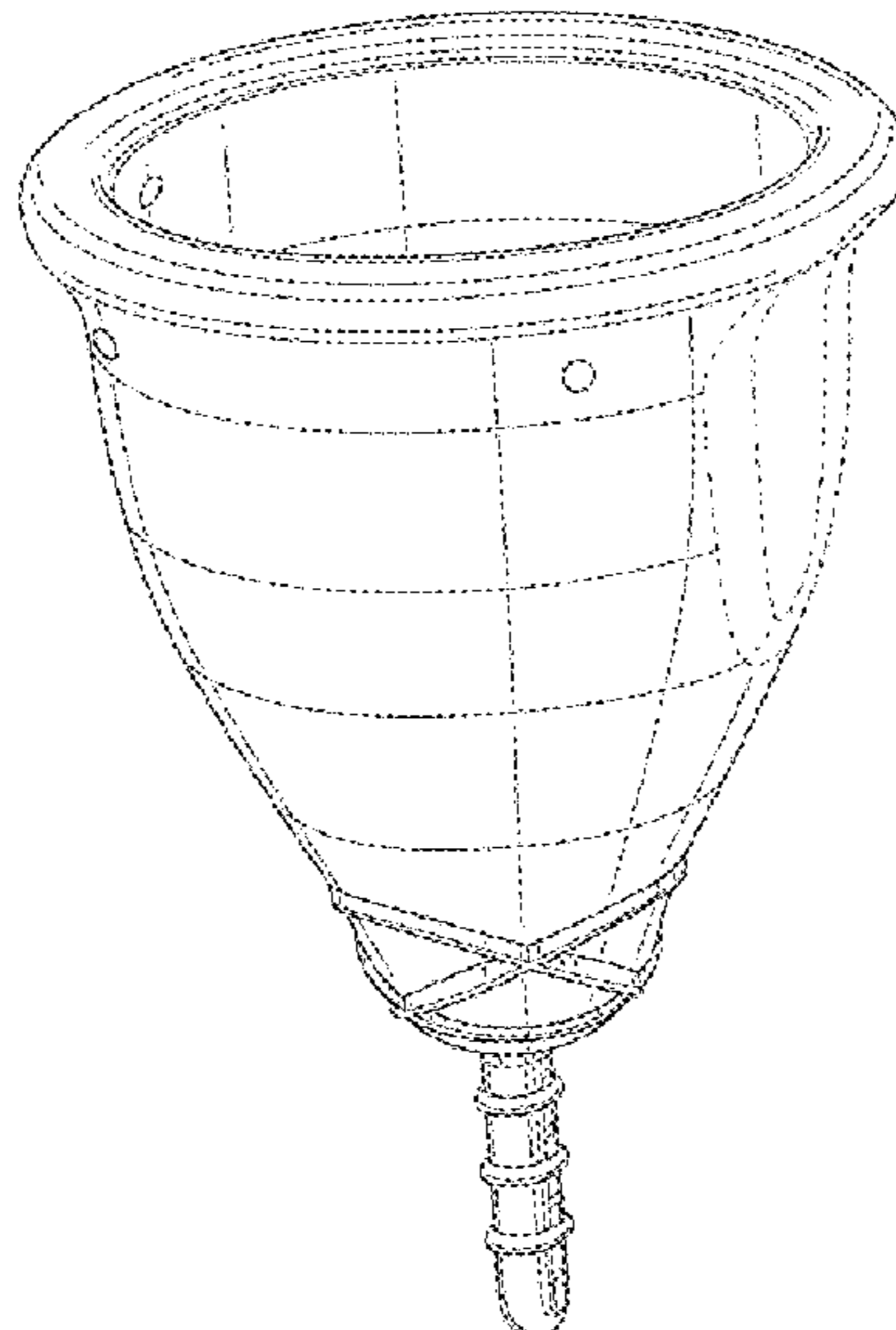
The ornamental design for a menstrual cup with grip rings, as shown and described.

DESCRIPTION

FIG. 1 is a top perspective view of the menstrual cup with grip rings, as seen from the top, front, and side; FIG. 2 is a front elevation view thereof; FIG. 3 is a rear elevation view thereof; FIG. 4 is a right side elevation view thereof; FIG. 5 is a left side elevation view thereof; FIG. 6 is a top plan view thereof; and, FIG. 7 is a bottom plan view thereof. The broken line depiction of a menstrual cup with grip rings is included for the purpose of illustrating environmental structure and forms no part of the claimed design.

(56) **References Cited**
U.S. PATENT DOCUMENTS
3,404,682 A * 10/1968 Waldron A61F 6/12
604/330
D323,212 S * 1/1992 Crawford D24/121
5,397,316 A 3/1995 Lavon et al.
5,520,674 A 5/1996 Lavon et al.
D766,427 S * 9/2016 Kurov D24/121

1 Claim, 6 Drawing Sheets



(56)

References Cited

OTHER PUBLICATIONS

Co-pending U.S. Appl. No. 29/682,143, filed Mar. 1, 2019.
Co-pending U.S. Appl. No. 29/682,145, filed Mar. 1, 2019.
Co-pending U.S. Appl. No. 29/682,149, filed Mar. 1, 2019.
PCT/US2018/066316 International Search Report and Written Opinion dated Mar. 14, 2019.
PCT/US2020/023175 International Search Report and Written Opinion dated Jun. 12, 2020.

* cited by examiner

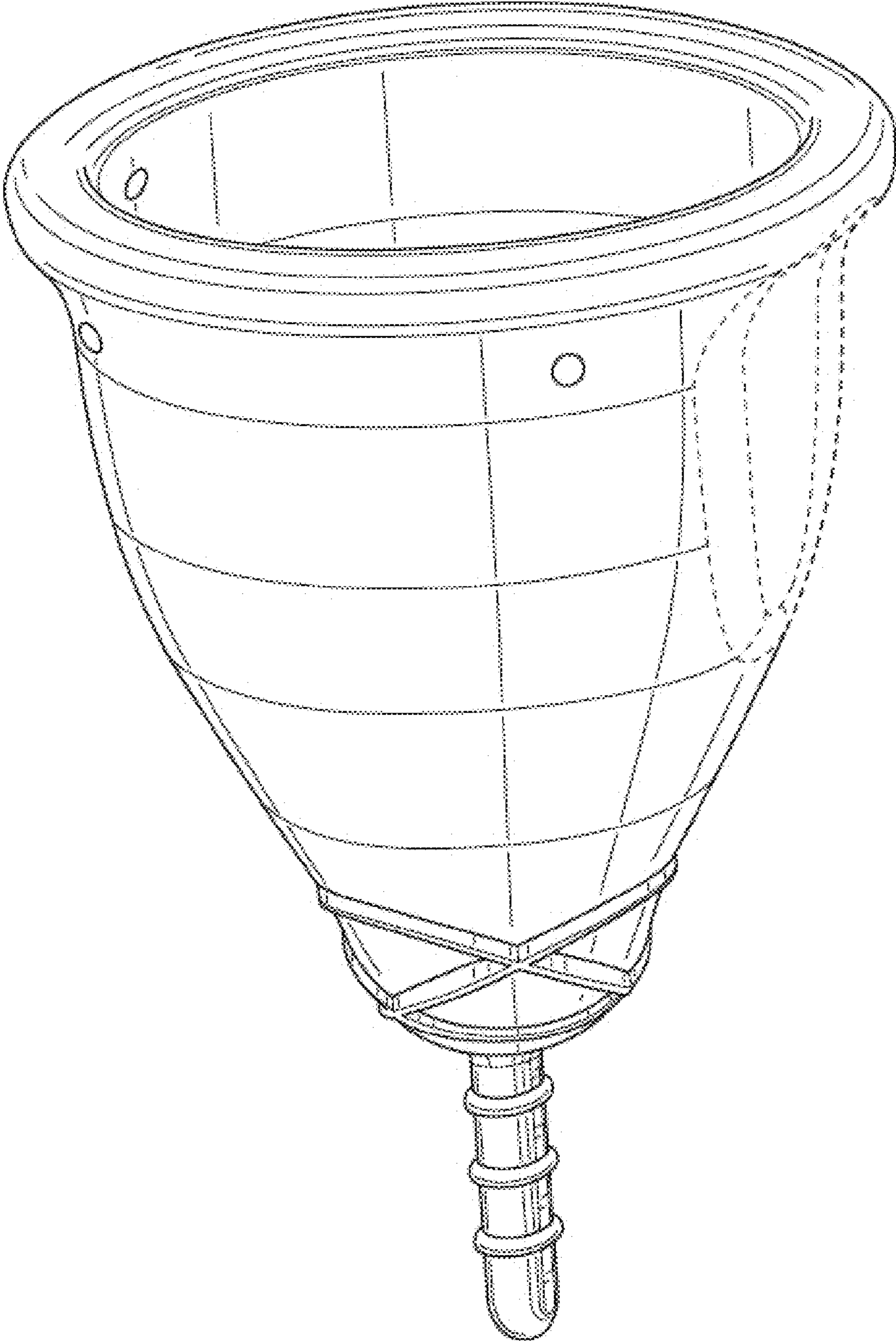


FIG. 1

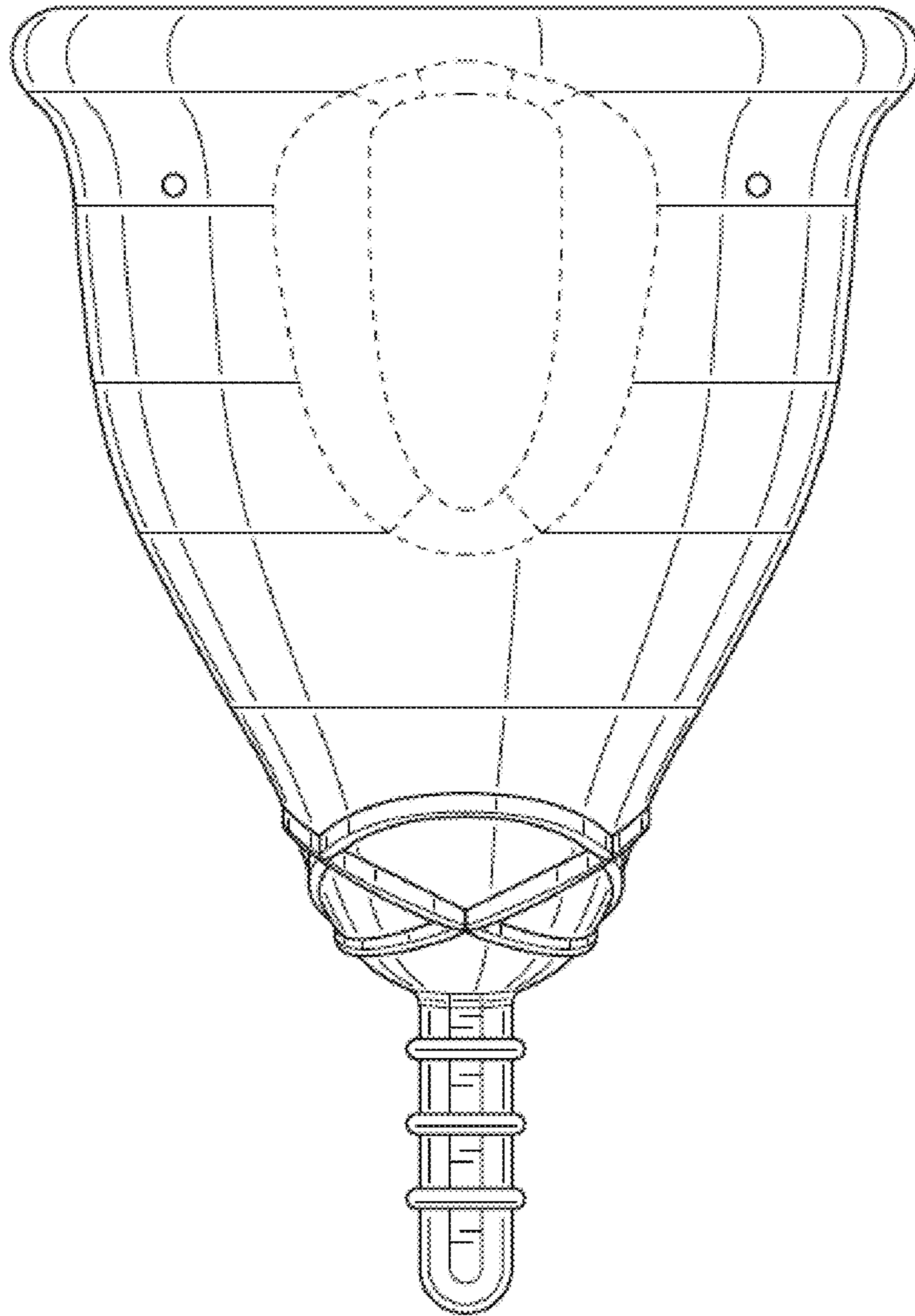


FIG. 2

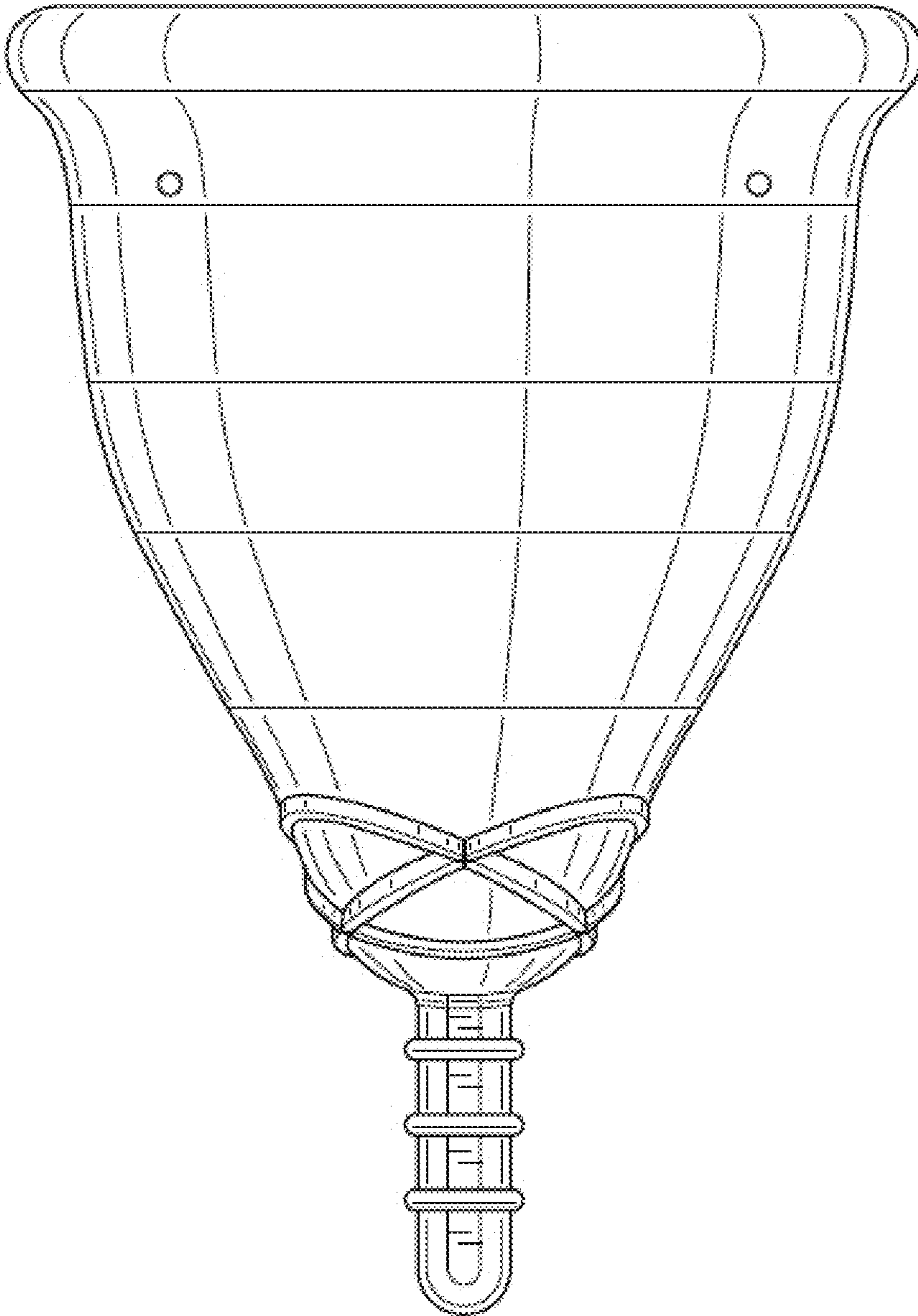


FIG. 3

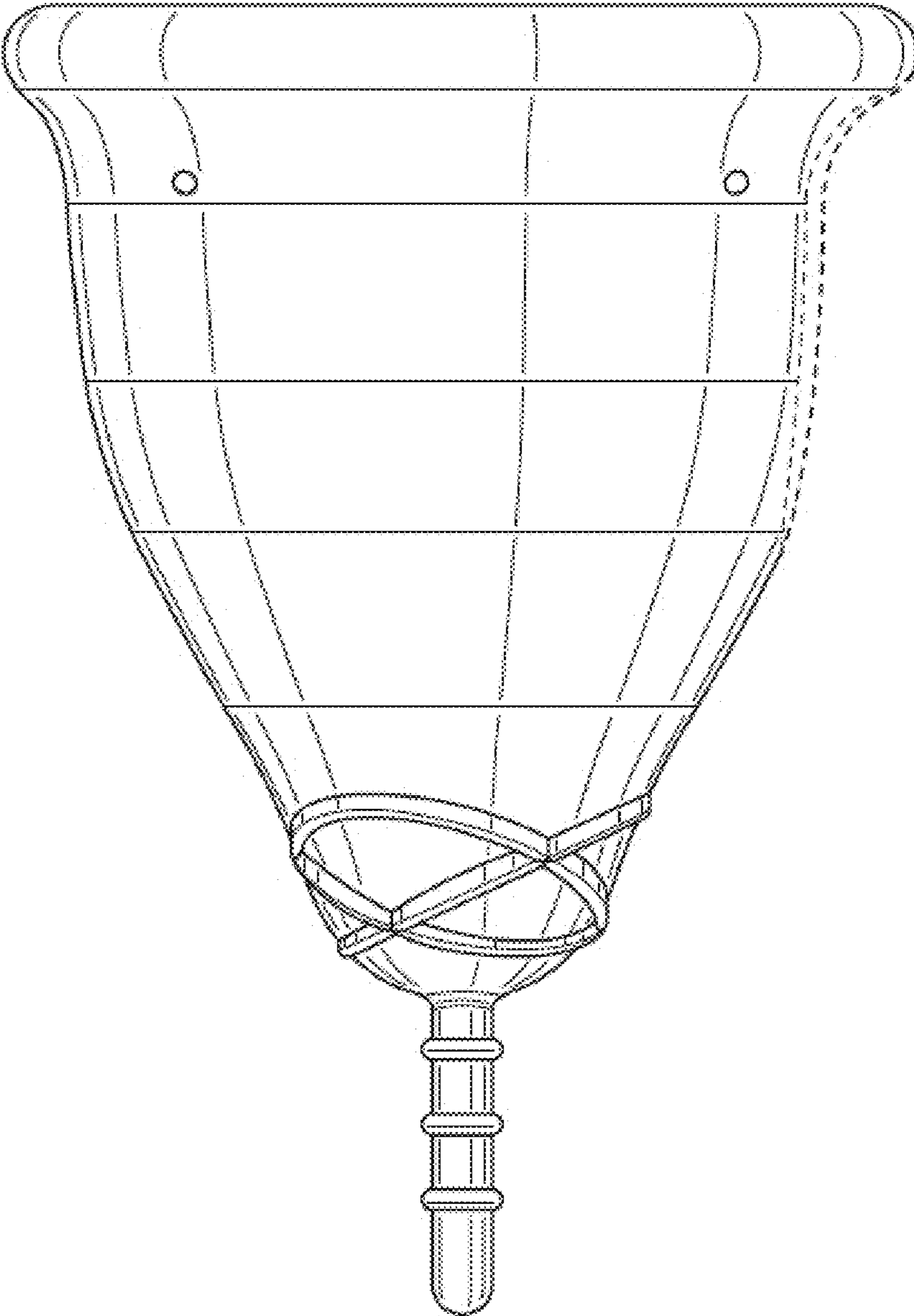


FIG. 4

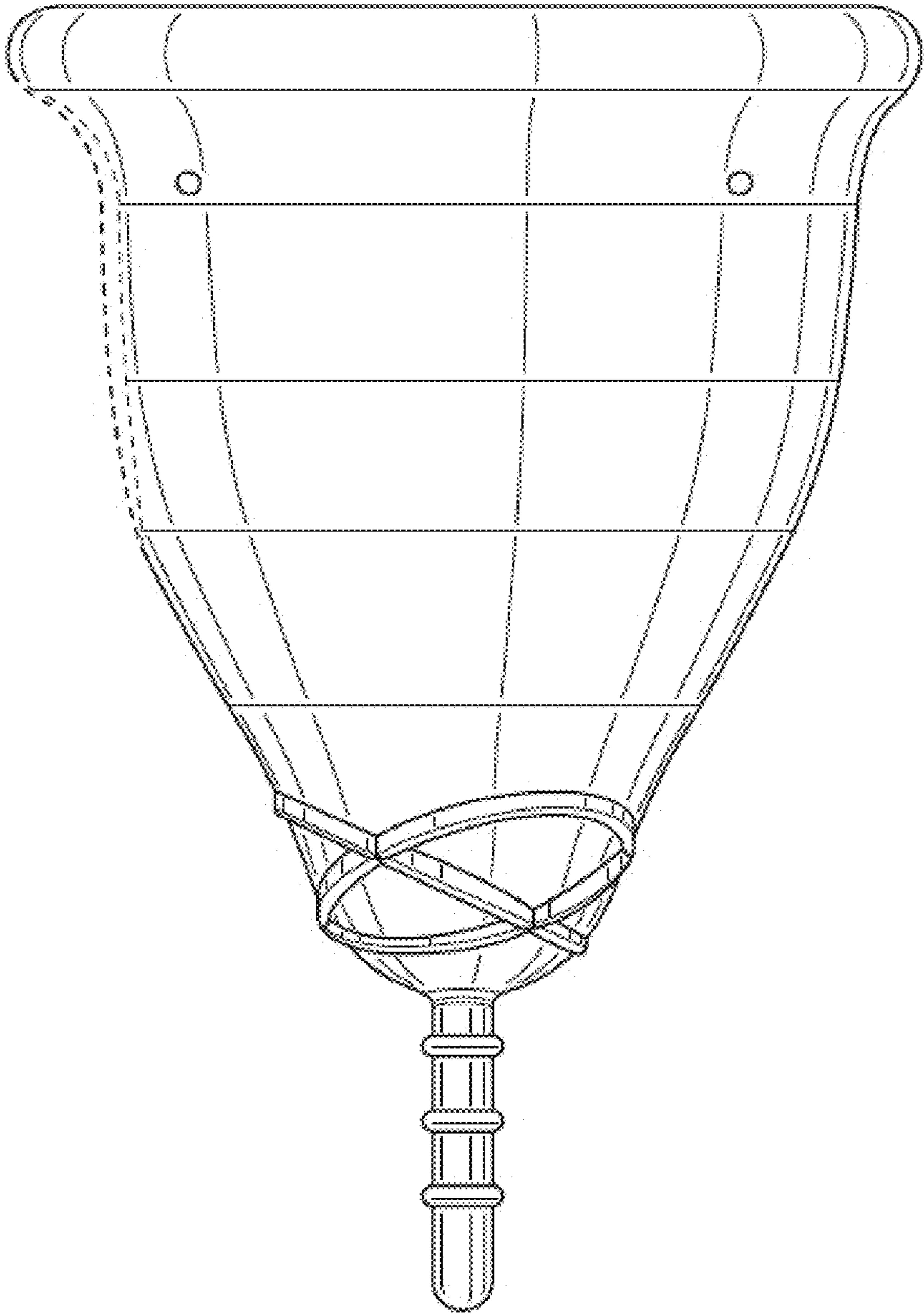


FIG. 5

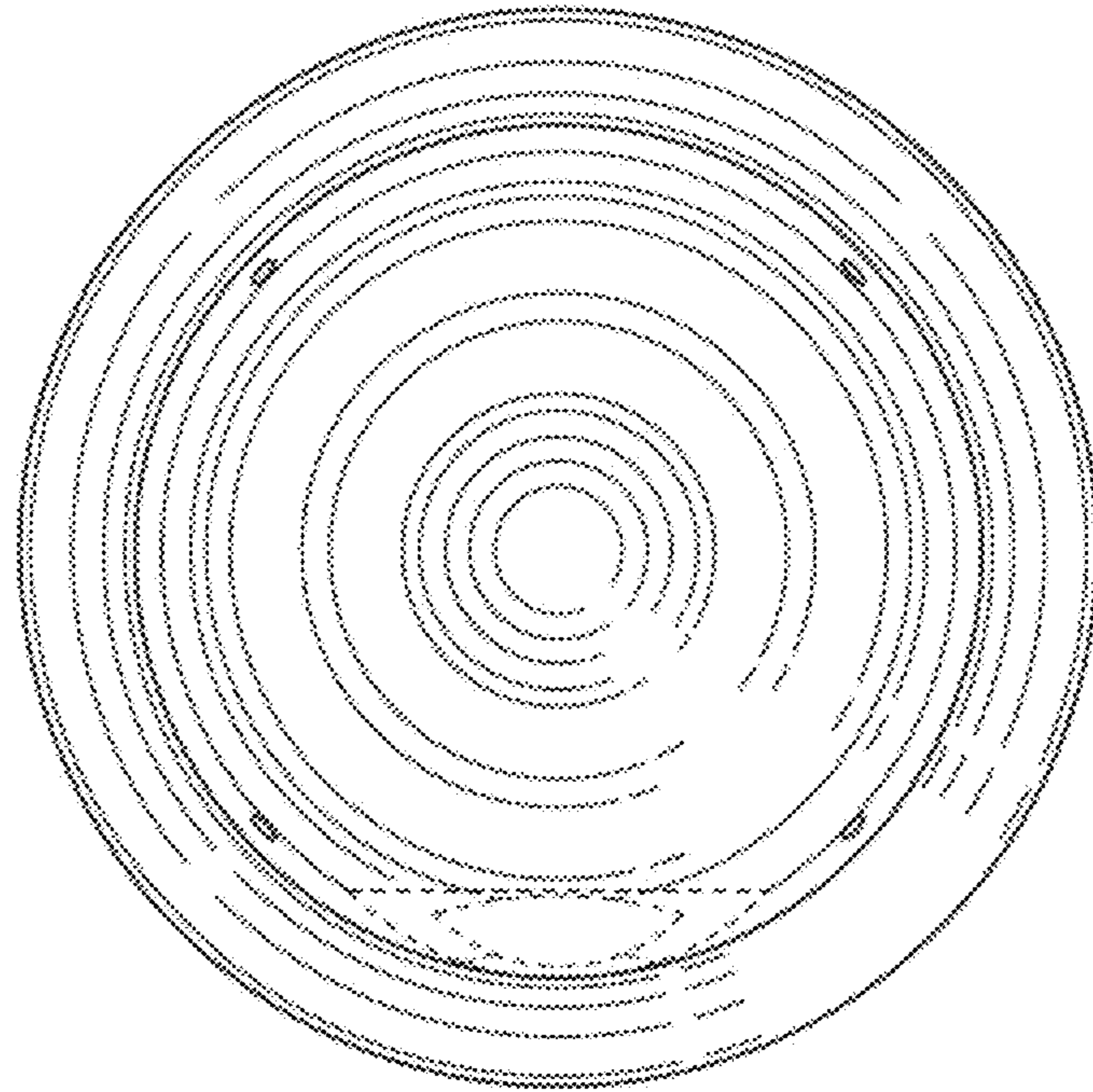


FIG. 6

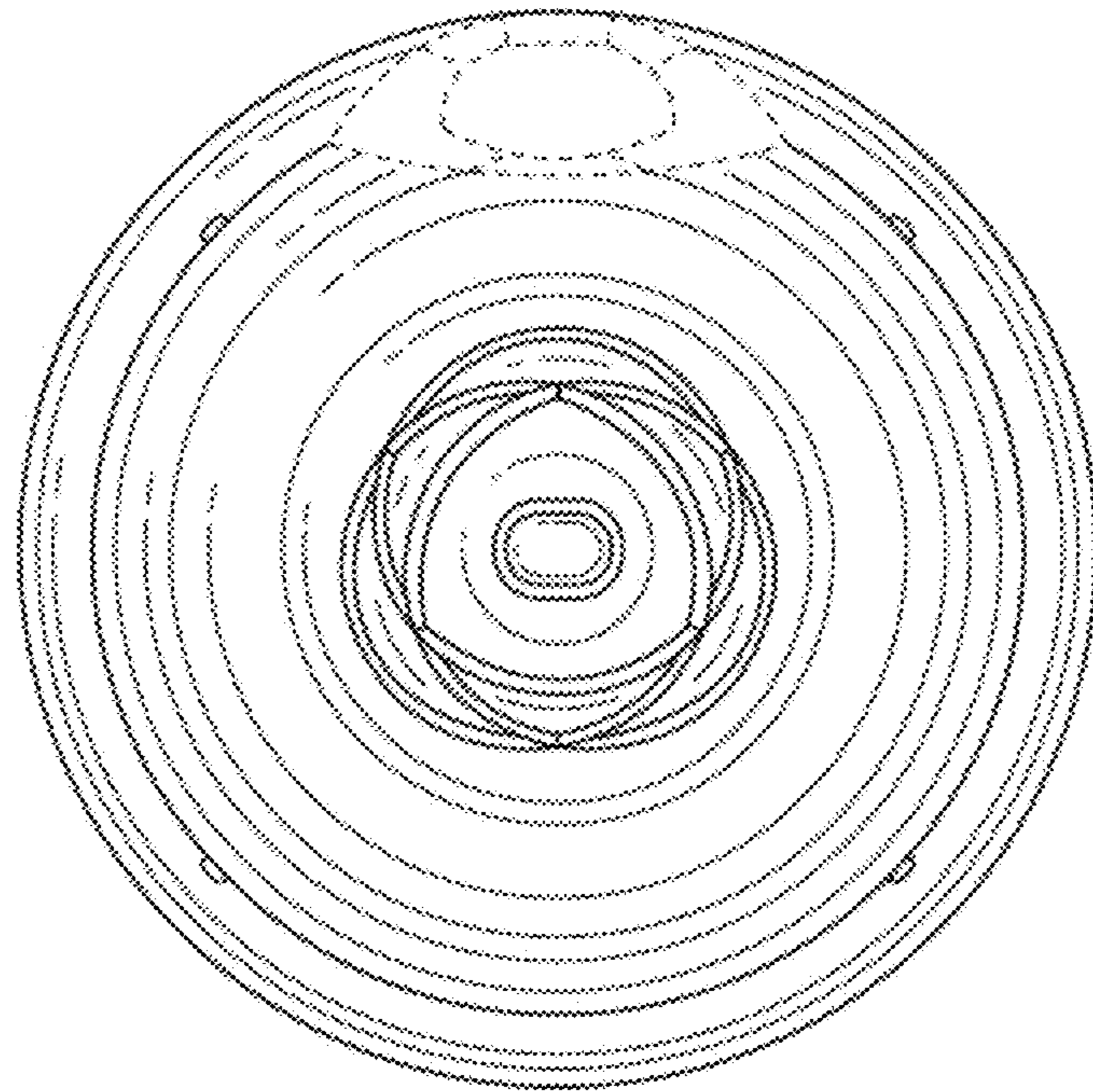


FIG. 7