



US00D895796S

(12) **United States Design Patent** (10) **Patent No.:** **US D895,796 S**
Washington (45) **Date of Patent:** **** Sep. 8, 2020**

(54) **URINE SPECIMEN CUP HOLDER**

(71) Applicant: **Charles M. Washington**, Roscoe, IL (US)

(72) Inventor: **Charles M. Washington**, Roscoe, IL (US)

(**) Term: **15 Years**

(21) Appl. No.: **29/664,576**

(22) Filed: **Sep. 26, 2018**

(51) **LOC (12) Cl.** **24-04**

(52) **U.S. Cl.**
USPC **D24/128; D24/122**

(58) **Field of Classification Search**
USPC D24/128, 127, 122, 224; 604/329, 322;
600/573, 574; D23/303, 302, 295;
141/372; 4/144.1, 144.2, 144.3, 144.4,
4/445
CPC . A61B 10/007; A61B 5/00; B25J 1/04; Y10T
16/4707

See application file for complete search history.

(56) **References Cited**

U.S. PATENT DOCUMENTS

D248,494 S	7/1978	Nakao et al.	
D291,650 S *	9/1987	Monzen	D24/128
D302,777 S	8/1989	Hiscott et al.	
D306,648 S *	3/1990	Jones	D24/128
5,058,787 A *	10/1991	Chou	B60N 3/103 224/482
5,084,177 A	1/1992	Keene	
D335,180 S *	4/1993	Jones	D24/128
5,202,094 A *	4/1993	Jones	A47G 23/0216 16/111.1
D335,708 S *	5/1993	Jones	D24/128
D340,768 S	10/1993	Jabour	
D345,796 S *	4/1994	Pernicka	D24/133
D357,066 S	4/1995	Jones et al.	
5,422,076 A	6/1995	Jones	

D364,458 S *	11/1995	Jones	D24/128
5,492,220 A *	2/1996	Estay	A61B 90/50 206/363
D379,655 S	6/1997	Savignac	
D398,993 S	9/1998	Jones	
D399,007 S *	9/1998	Jones	D24/122
D404,487 S *	1/1999	Bertella	D24/147
D408,913 S *	4/1999	Jones	D24/227
D433,274 S	11/2000	Babayan	
D449,685 S *	10/2001	Morrison	D24/128
D456,898 S	5/2002	Yang	
6,719,951 B1	4/2004	Griffith	
D504,056 S	4/2005	Craig et al.	

(Continued)

Primary Examiner — Nathan M Johnston

(74) *Attorney, Agent, or Firm* — Reinhart Boerner Van Deuren P.C.

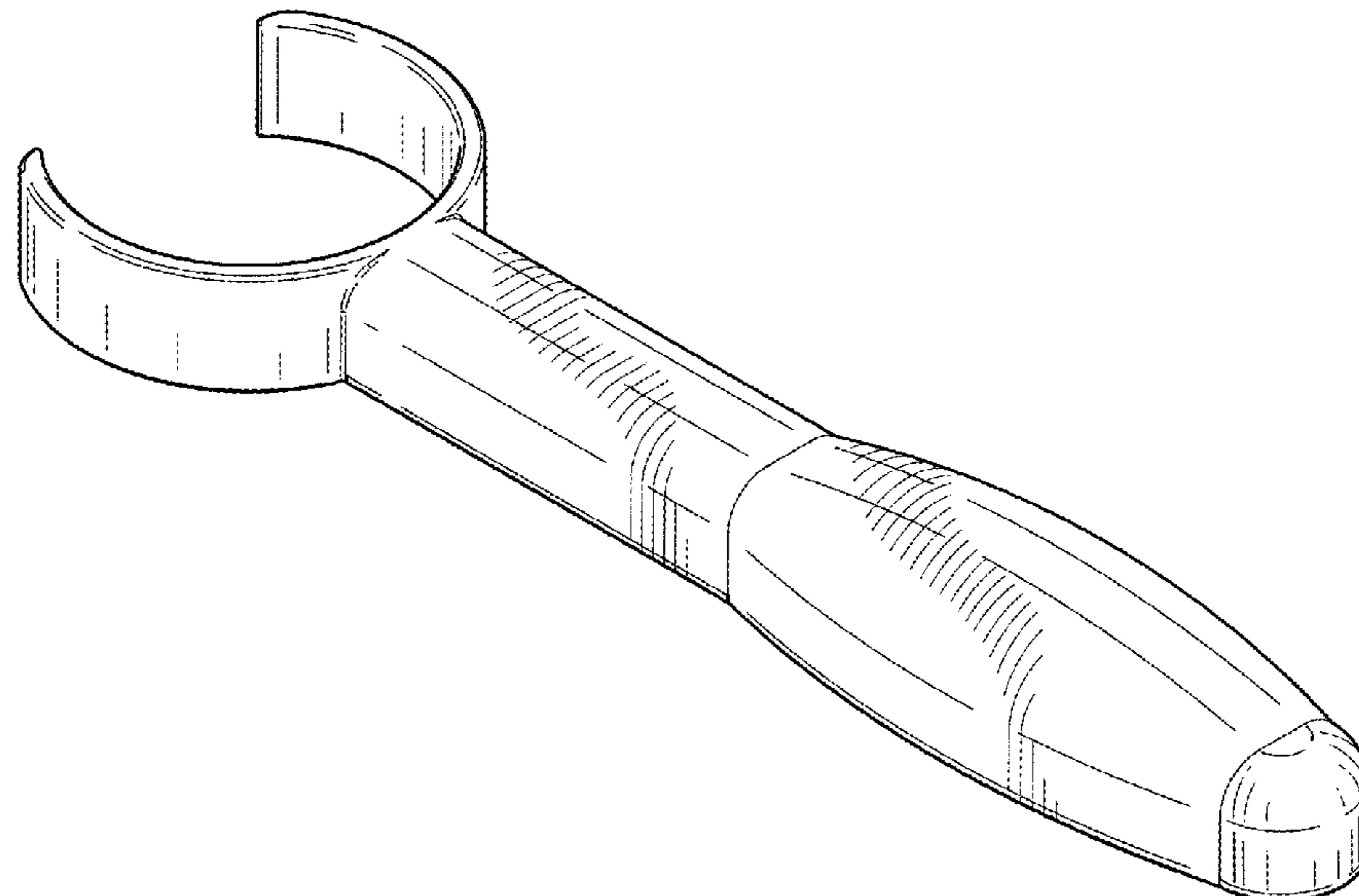
(57) **CLAIM**

I claim the ornamental design for the urine specimen cup holder, as shown and described.

DESCRIPTION

FIG. 1 is a perspective view of a urine specimen cup holder showing my new design;
 FIG. 2 is another perspective view of the urine specimen cup holder of FIG. 1;
 FIG. 3 is an end view of the urine specimen cup holder of FIG. 1;
 FIG. 4 is a top view of the urine specimen cup holder of FIG. 1;
 FIG. 5 is side view of the urine specimen cup holder of FIG. 1;
 FIG. 6 is another side view of the urine specimen cup holder of FIG. 1;
 FIG. 7 is a bottom view of the urine specimen cup holder of FIG. 1; and,
 FIG. 8 is another end view of the urine specimen cup holder of FIG. 1.

1 Claim, 3 Drawing Sheets



(56)

References Cited

U.S. PATENT DOCUMENTS

6,973,678	B2 *	12/2005	Jones	A61B 10/0096 4/144.1
D567,368	S	4/2008	Guptill	
D579,557	S	10/2008	Washington	
D593,206	S *	5/2009	Kopoian	D24/227
D654,598	S *	2/2012	Hooper	D24/227
D662,792	S *	7/2012	Stewart	D7/688
D669,169	S	10/2012	Washington et al.	
D729,929	S *	5/2015	McBride	D24/108
D745,145	S *	12/2015	Bivens	D24/128
D749,728	S *	2/2016	Brannon	D24/140
D762,848	S *	8/2016	Coroneo	D24/112
D773,657	S *	12/2016	Meloff	D24/128
D837,039	S *	1/2019	Angus	D8/356
2008/0140032	A1 *	6/2008	O'Malley	A61B 10/007 604/322
2009/0118642	A1	5/2009	Washington	
2014/0180245	A1 *	6/2014	Wong	A61M 5/31536 604/506
2015/0297194	A1 *	10/2015	Meloff	A61B 10/007 600/573

* cited by examiner

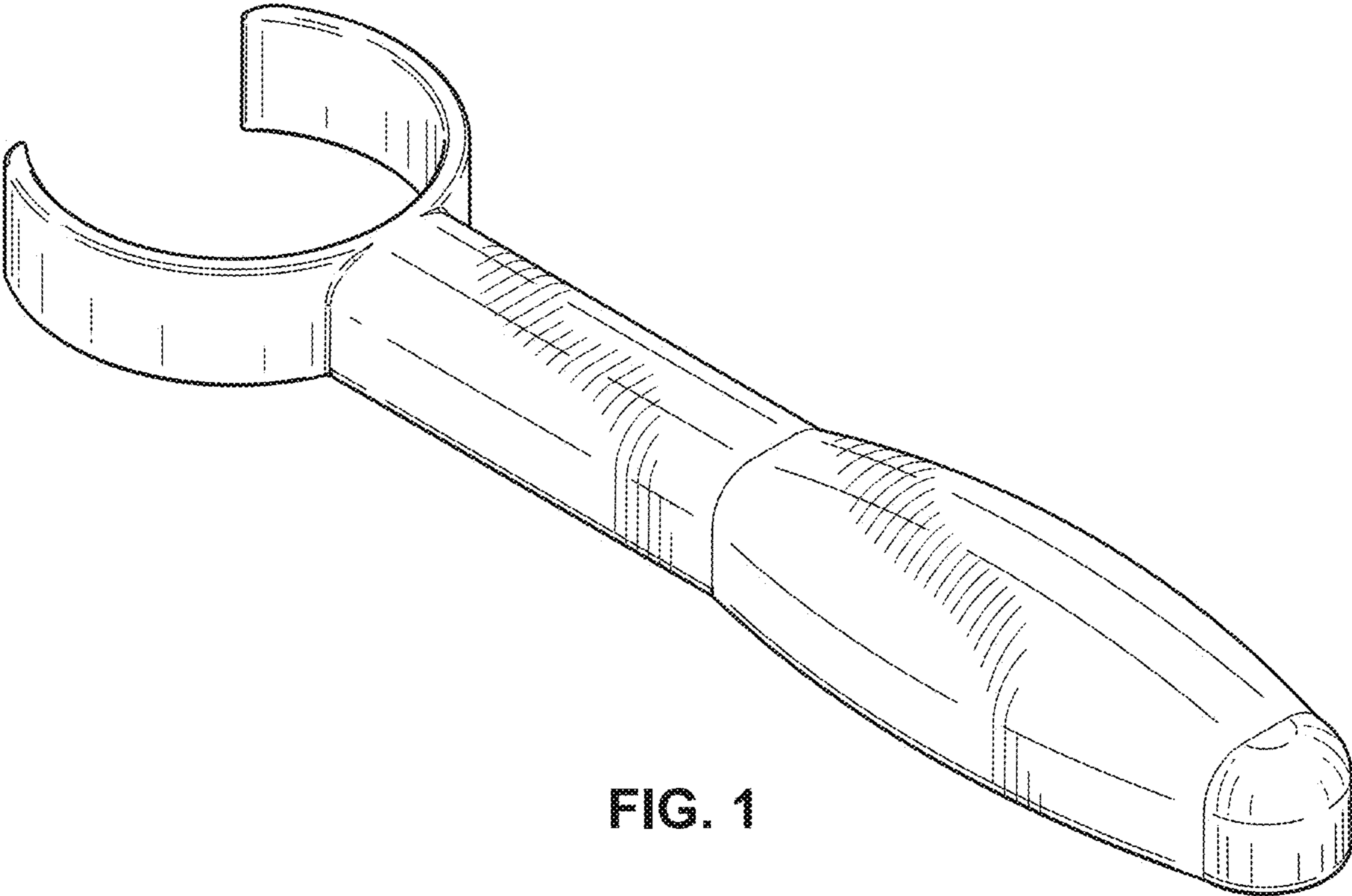


FIG. 1

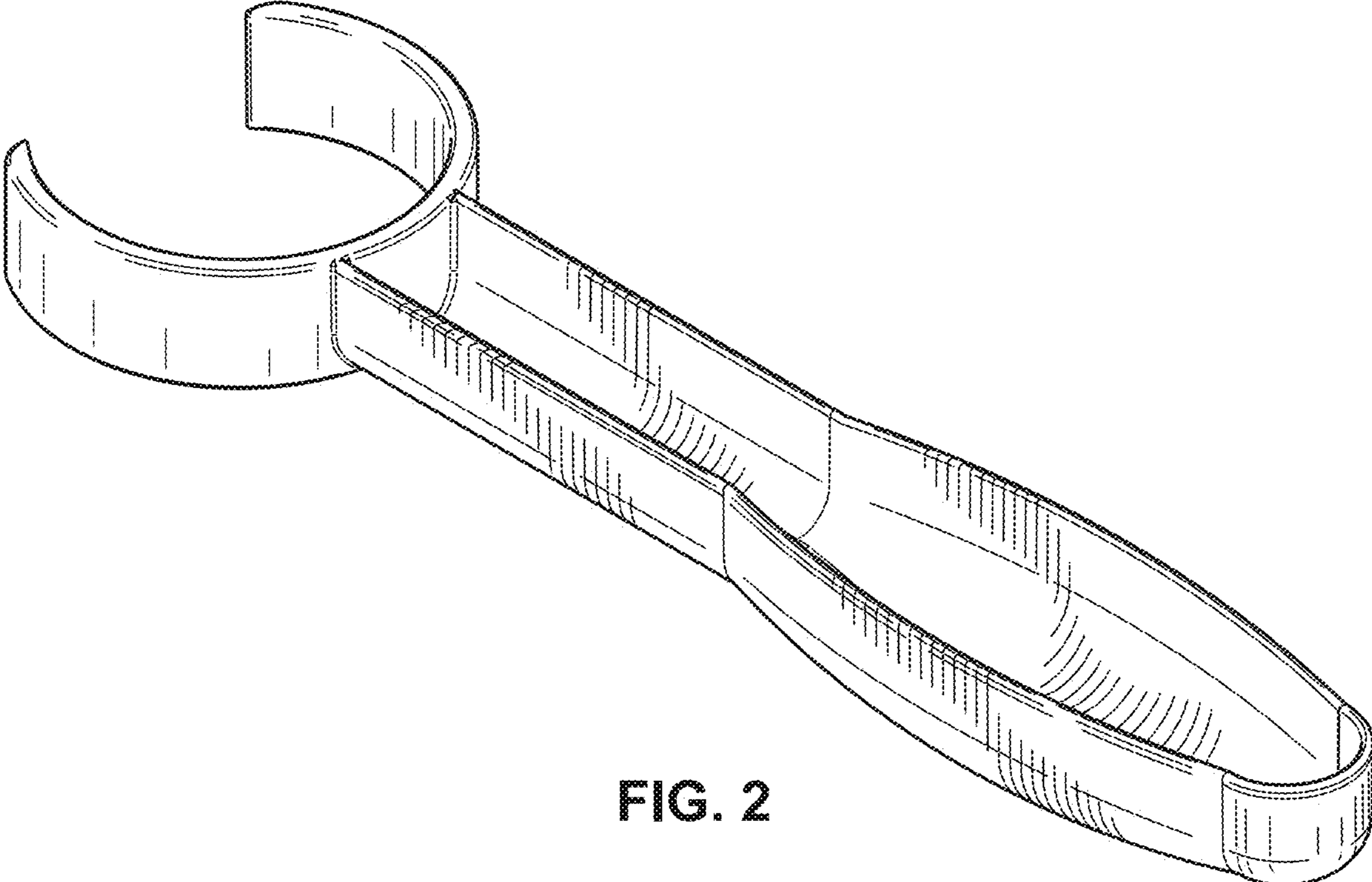
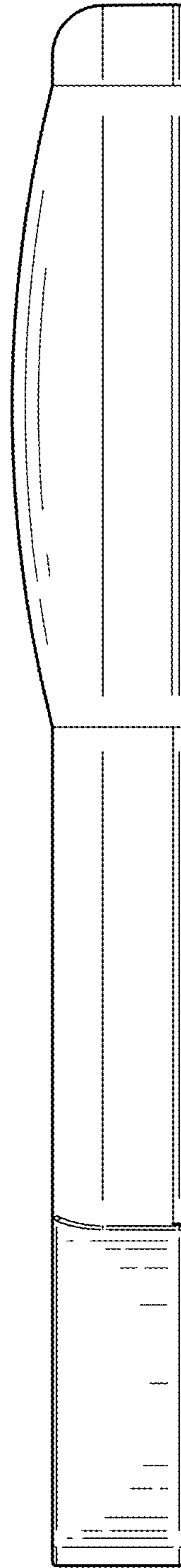
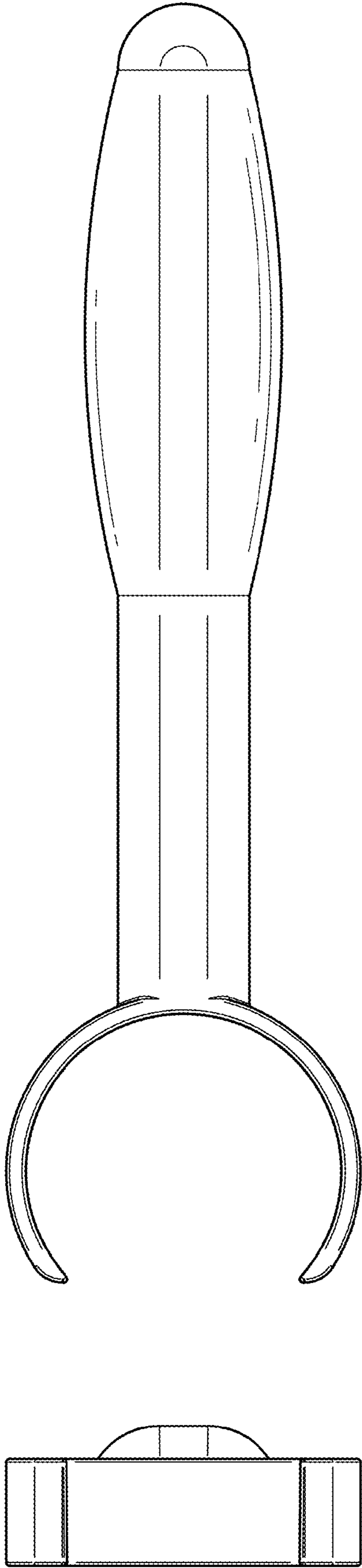


FIG. 2



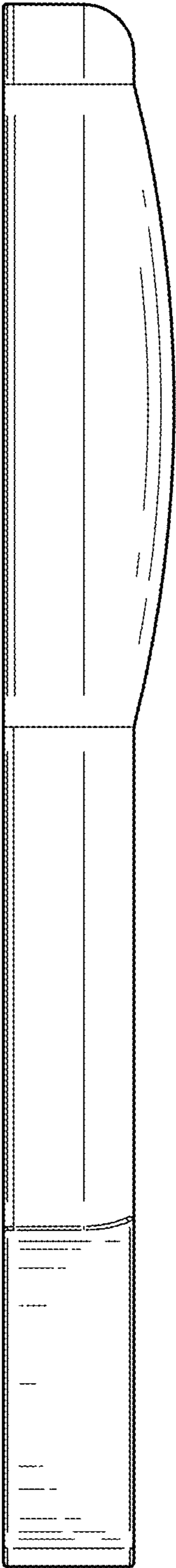


FIG. 6

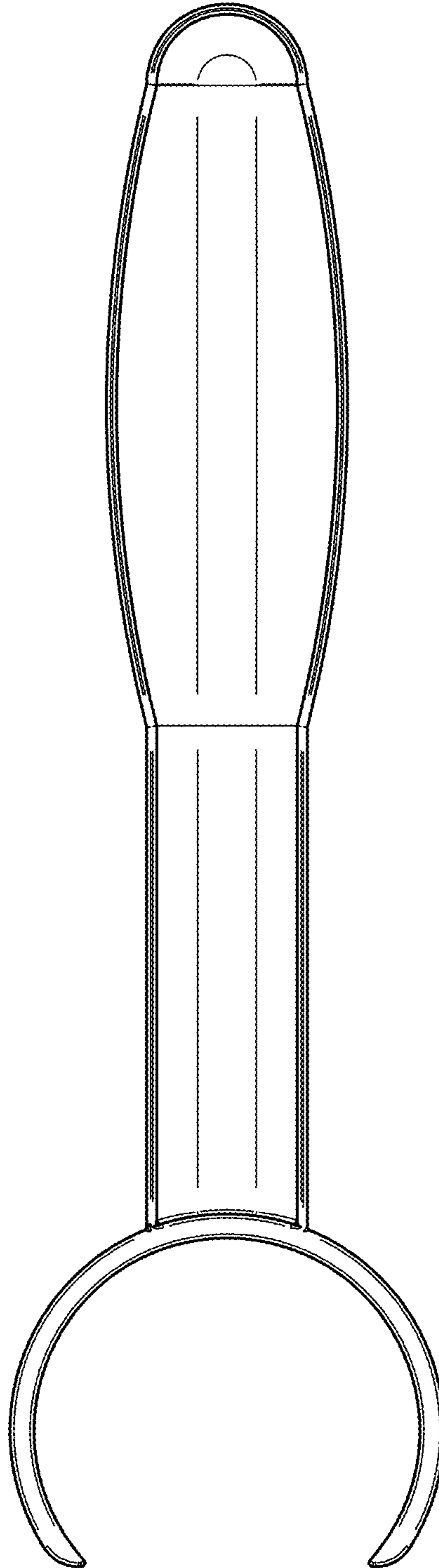


FIG. 7

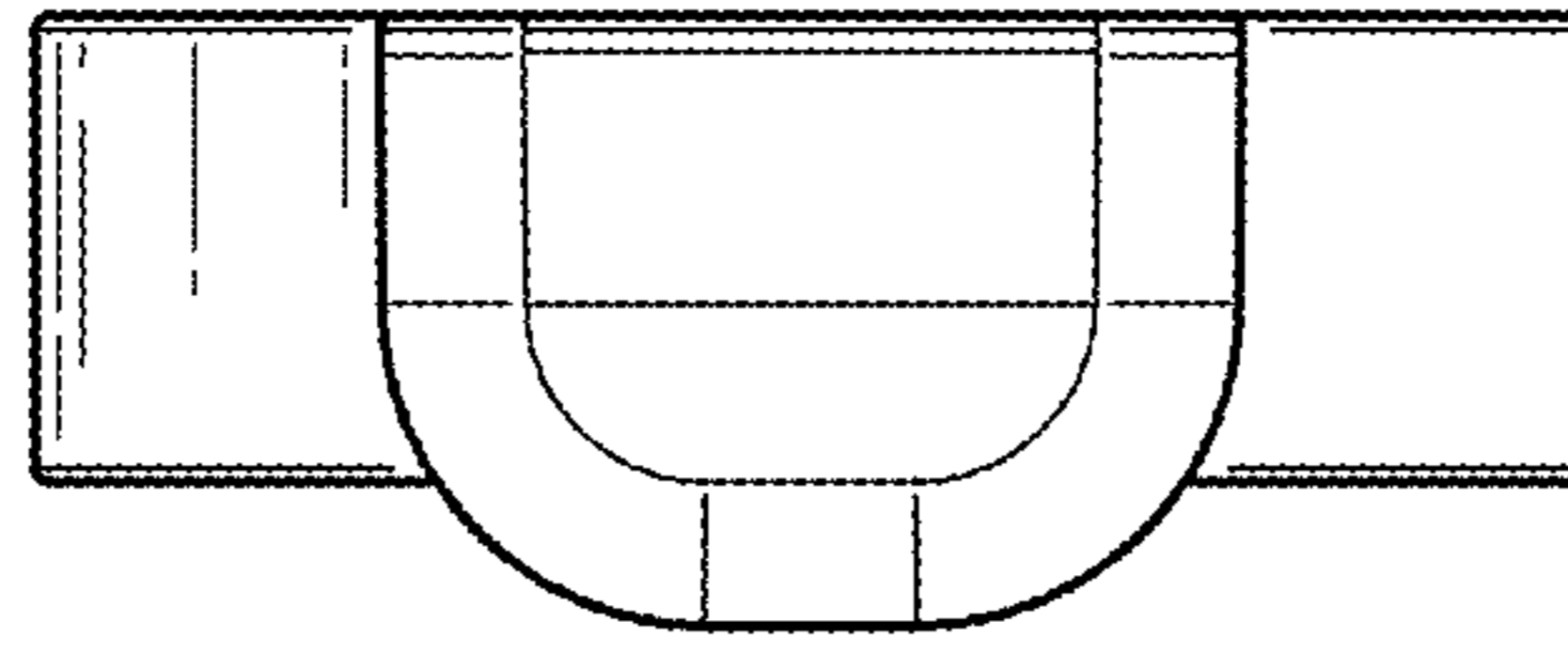


FIG. 8