



US00D895795S

(12) **United States Design Patent** (10) **Patent No.:** **US D895,795 S**  
**Castrogiovanni** (45) **Date of Patent:** **\*\* Sep. 8, 2020**

(54) **DISPOSABLE ABSORBENT PANTS WITH CONTAINMENT SYSTEM**

D228,034 S *	7/1973	Krusko	.....	D24/126
D693,922 S *	11/2013	Frias	.....	D24/126
D772,404 S *	11/2016	Meske	.....	D24/125
D779,660 S *	2/2017	Fites	.....	D24/126
D792,967 S *	7/2017	Moritani	.....	D24/126

(71) Applicant: **Nicole Castrogiovanni**, Los Angeles, CA (US)

\* cited by examiner

(72) Inventor: **Nicole Castrogiovanni**, Los Angeles, CA (US)

*Primary Examiner* — Eliza Z Bennett-Hattan

(\*\*) Term: **15 Years**

(57) **CLAIM**

(21) Appl. No.: **35/506,709**

The ornamental design for disposable absorbent pants with containment system, as shown and described.

(22) Filed: **Aug. 22, 2018**

**DESCRIPTION**

(80) **Hague Agreement Data**

Int. Filing Date: **Aug. 22, 2018**

Int. Reg. No.: **DM/200654**

Int. Reg. Date: **Aug. 22, 2018**

Int. Reg. Pub. Date: **May 3, 2019**

1. Disposable absorbent pants with containment system

(51) **LOC (12) Cl.** ..... **24-02**

**1.1** Is a perspective view of a disposable absorbent pants with containment system;

(52) **U.S. Cl.**  
USPC ..... **D24/125**

**1.2** is a cross-sectional view of the disposable absorbent pants with containment system of **1.1** taken along the line **2-2**;

(58) **Field of Classification Search**  
USPC ..... D24/125, 126  
CPC ..... A61F 13/49; A61F 13/4942; A61F 13/565  
See application file for complete search history.

**1.3** is a top plan view of the disposable absorbent pants with containment system of **1.1**; the broken line box with a curvy line and the number **4** shown in the view **1.3**, indicate an enlarged portion of the design;

(56) **References Cited**

U.S. PATENT DOCUMENTS

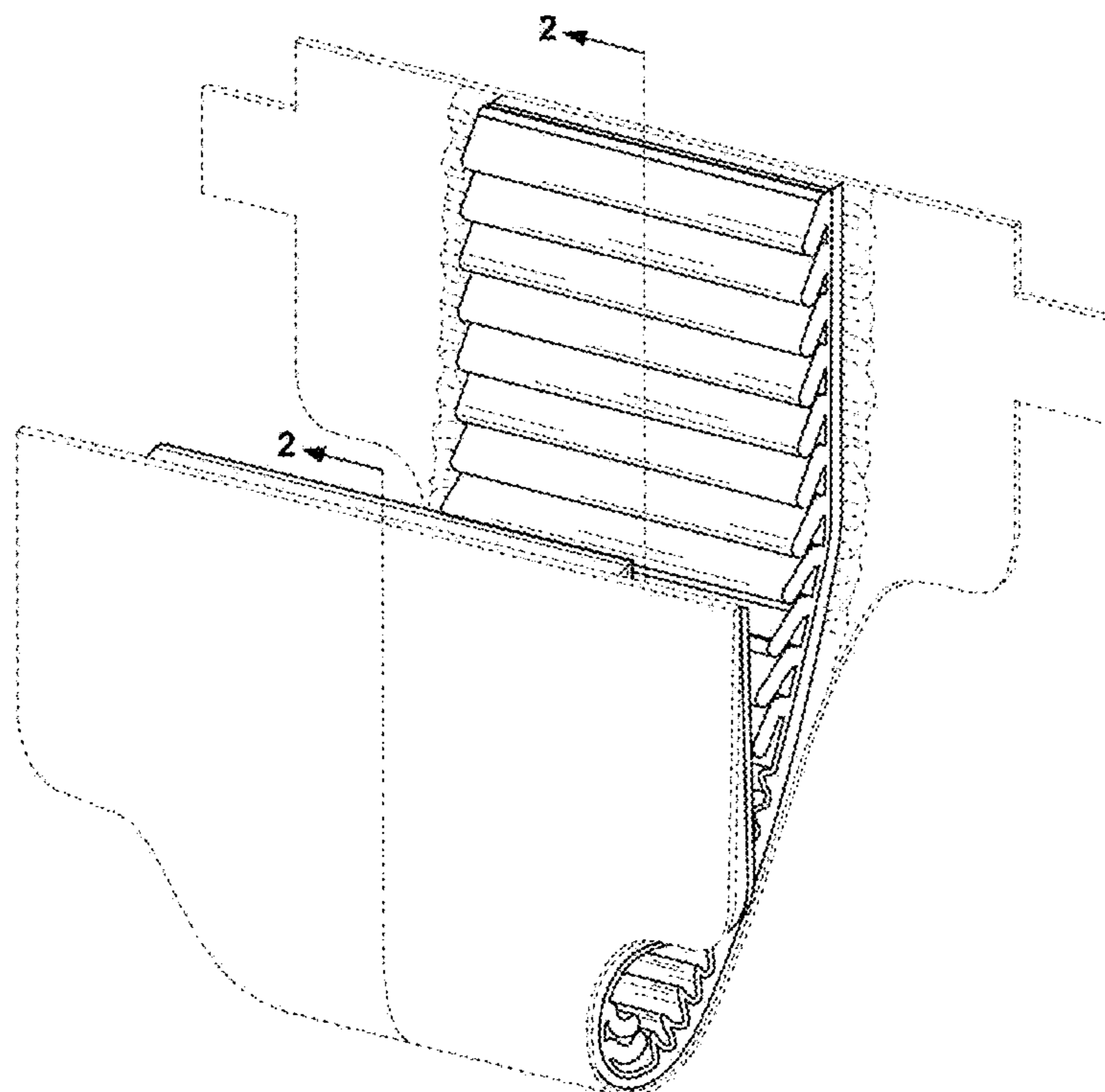
3,344,789 A *	10/1967	Arnold	.....	B01J 20/2805
				604/368
D222,632 S *	11/1971	Krusko	.....	D24/126

**1.4** is an enlarged view of the portion of the disposable absorbent pants with containment system marked **4** in **1.3**;

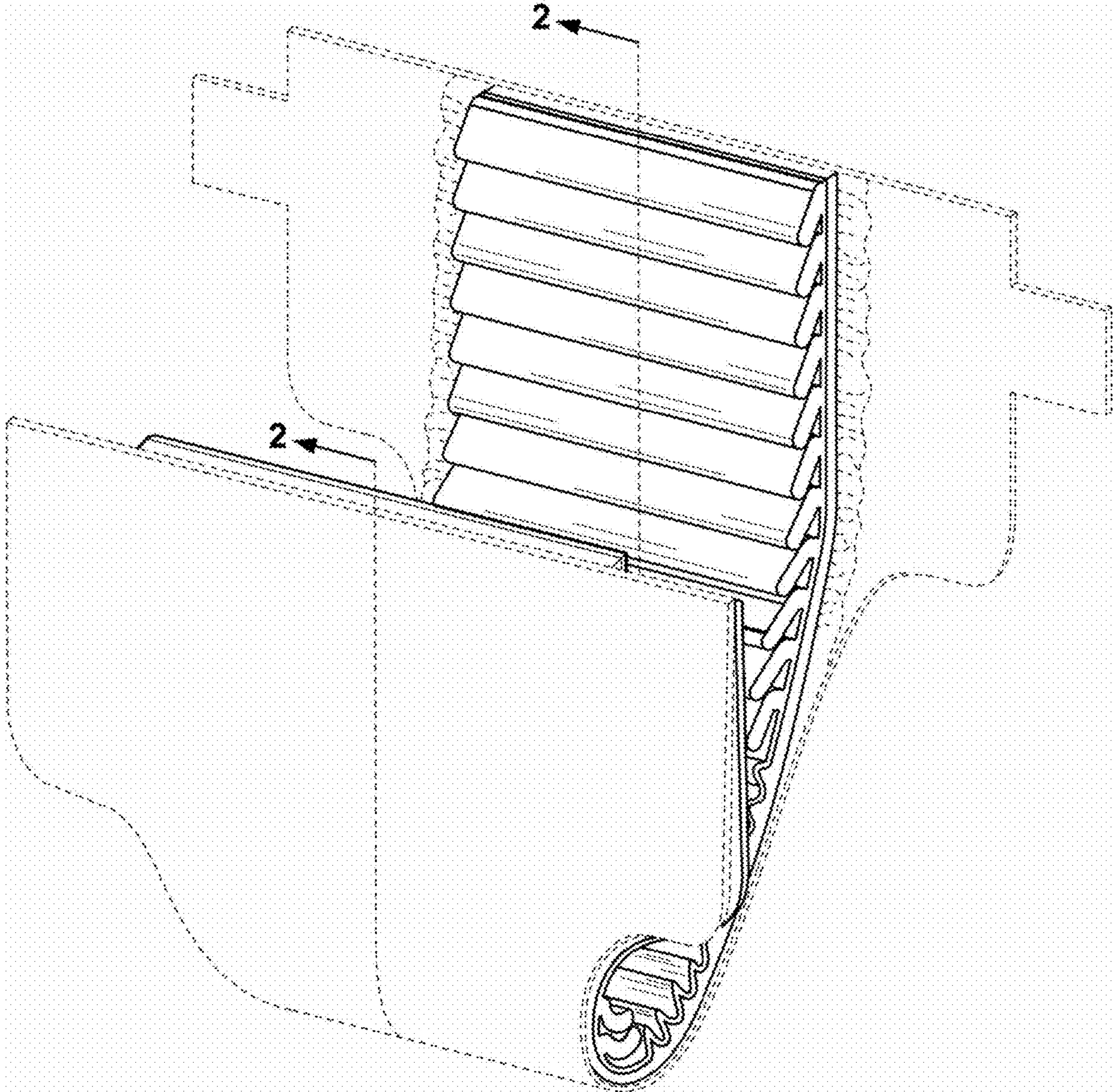
**1.5** is a cross-sectional view of the disposable absorbent pants with containment system taken along the line **5-5** in **1.4**;

The broken lines in the reproductions depict environmental subject matter and form no part of the claimed design.

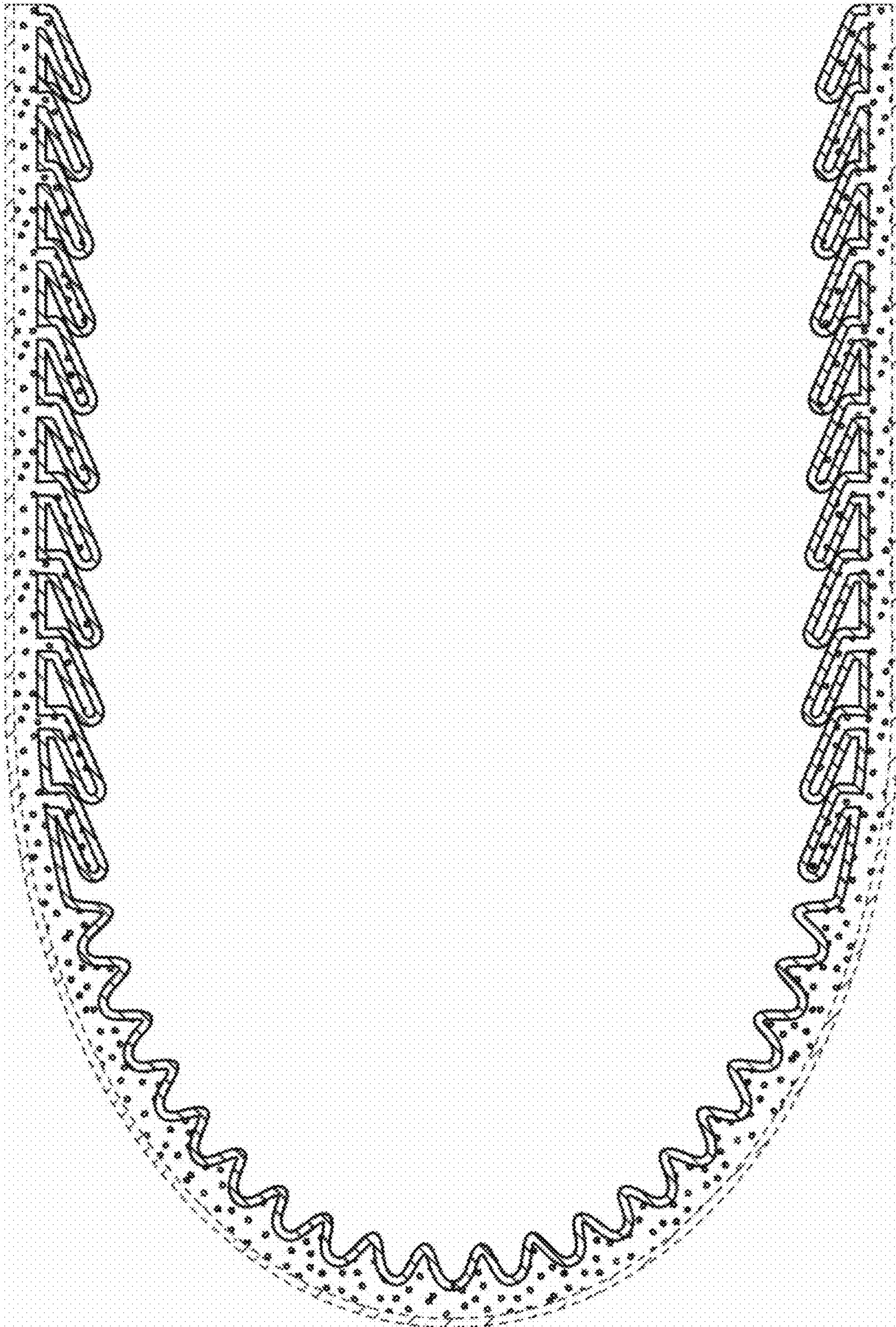
**1 Claim, 5 Drawing Sheets**



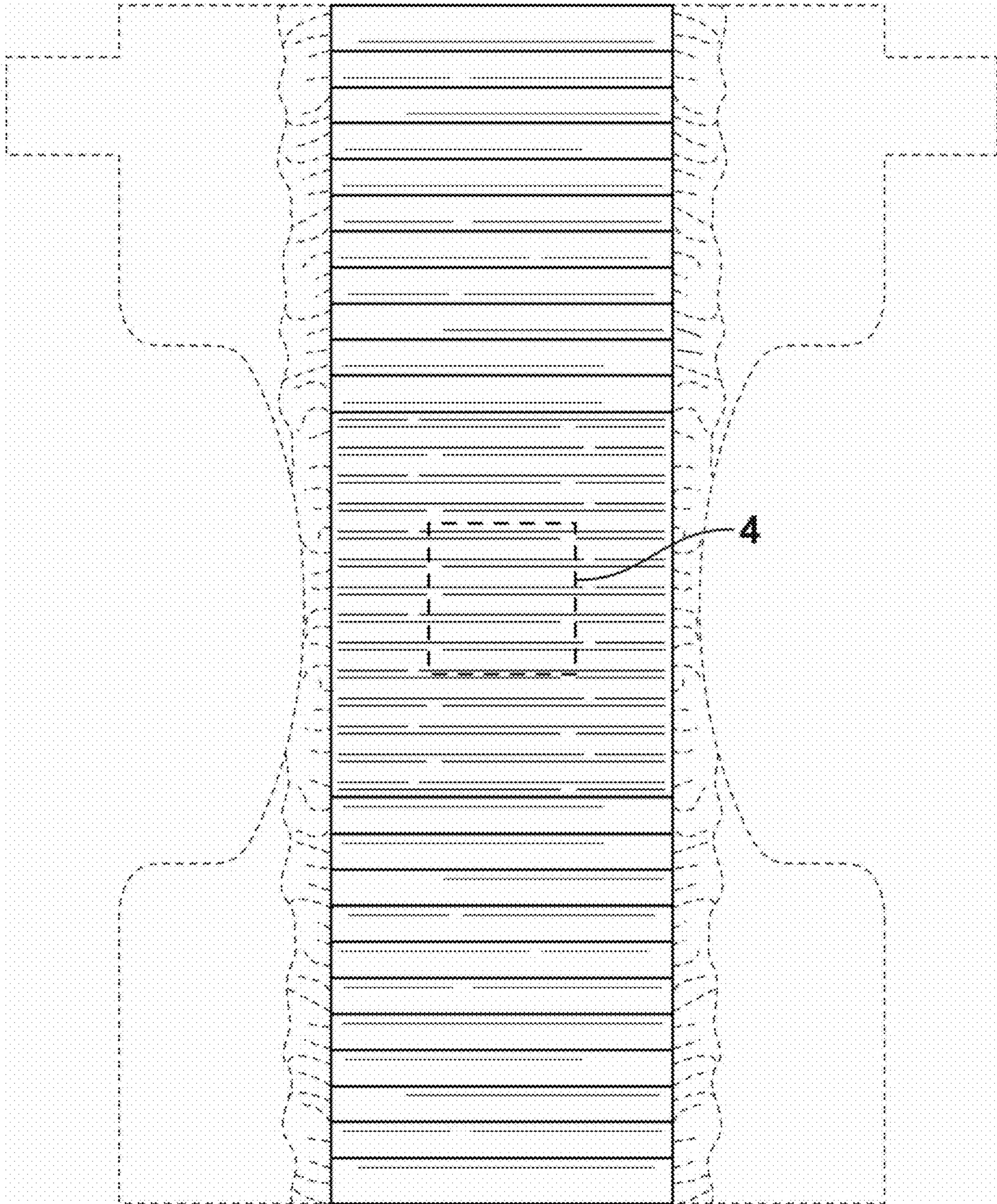
1.1



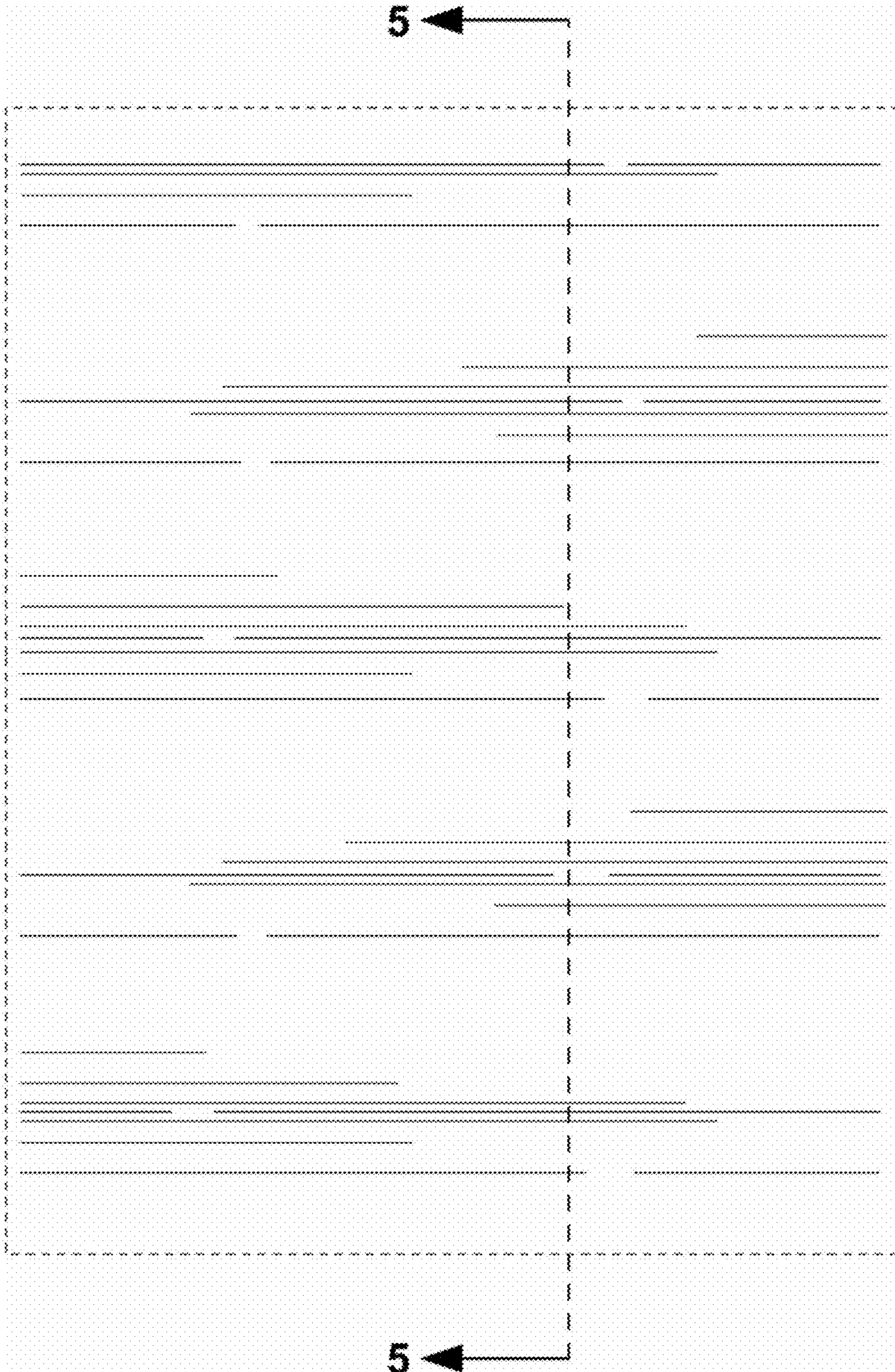
1.2



1.3



1.4



1.5

