



US00D895794S

(12) **United States Design Patent** (10) **Patent No.:** **US D895,794 S**
Combs et al. (45) **Date of Patent:** **** Sep. 8, 2020**

(54) **BOTTLE**

(71) Applicant: **Gen-Probe Incorporated**, San Diego, CA (US)

(72) Inventors: **David H. Combs**, San Diego, CA (US);
Ayra Baker, Escondido, CA (US);
David A. Buse, San Diego, CA (US)

(73) Assignee: **Gen-Probe Incorporated**, San Diego, CA (US)

(**) Term: **15 Years**

(21) Appl. No.: **29/690,020**

(22) Filed: **May 3, 2019**

(51) **LOC (12) Cl.** **24-04**

(52) **U.S. Cl.**
USPC **D24/121**; D9/453; D9/454; D9/524;
D9/528

(58) **Field of Classification Search**

USPC D9/434–435, 453–454, 516, 520,
D9/522–524, 528, 530–531, 543, 571,
D9/575, 682, 685, 715, 719, 742;
D6/545; D23/202, 225; D24/117,
D24/121–122, 131, 169, 224; D32/15,
D32/17, 25, 45, 50–51
CPC B65D 1/00; B65D 1/02; B65D 1/0223;
B65D 1/023; B65D 1/40; B65D 23/00;
B65D 23/10; B65D 23/102; B65D 25/00;
B65D 25/28; B65D 25/2882; B65D
25/2888; B65D 25/2894; B65D 25/2897;
B65D 2501/00; B65D 2501/0009; B65D
2501/0081; B05B 11/0037; A61M
1/0001; A61M 1/0005; A61M 1/0007
See application file for complete search history.

(56) **References Cited**

U.S. PATENT DOCUMENTS

D213,763 S * 4/1969 Plummer D9/531
D230,708 S * 3/1974 Hutter D9/528

D318,228 S * 7/1991 Schlesselman D9/531
D325,257 S * 4/1992 Andersen D24/169
D325,258 S * 4/1992 Andersen D24/169
D325,259 S * 4/1992 Andersen D24/169
D332,544 S * 1/1993 Steiner D6/545
D338,406 S * 8/1993 Bennebroek D9/523
D470,056 S * 2/2003 Schlueter D9/531
D578,889 S * 10/2008 Sadiq D9/453
D607,335 S * 1/2010 Bates D9/531
D609,773 S * 2/2010 Abernethy D23/202
D611,827 S * 3/2010 Bates D9/531
D652,479 S * 1/2012 Theiss D23/202
D674,277 S * 1/2013 Hanson D9/446
D763,690 S * 8/2016 Greenfield D9/453
D804,313 S * 12/2017 Reches D9/522
D858,290 S * 9/2019 Hentges D9/528
D872,577 S * 1/2020 Kim D9/453

OTHER PUBLICATIONS

Notice of Allowance dated May 19, 2020 issued in U.S. Appl. No. 26/690,019, (9 pages).

* cited by examiner

Primary Examiner — Dana Meyrow

(74) *Attorney, Agent, or Firm* — Rothwell, Figg, Ernst & Manbeck, P.C.; Charles B. Cappellari, Esq.

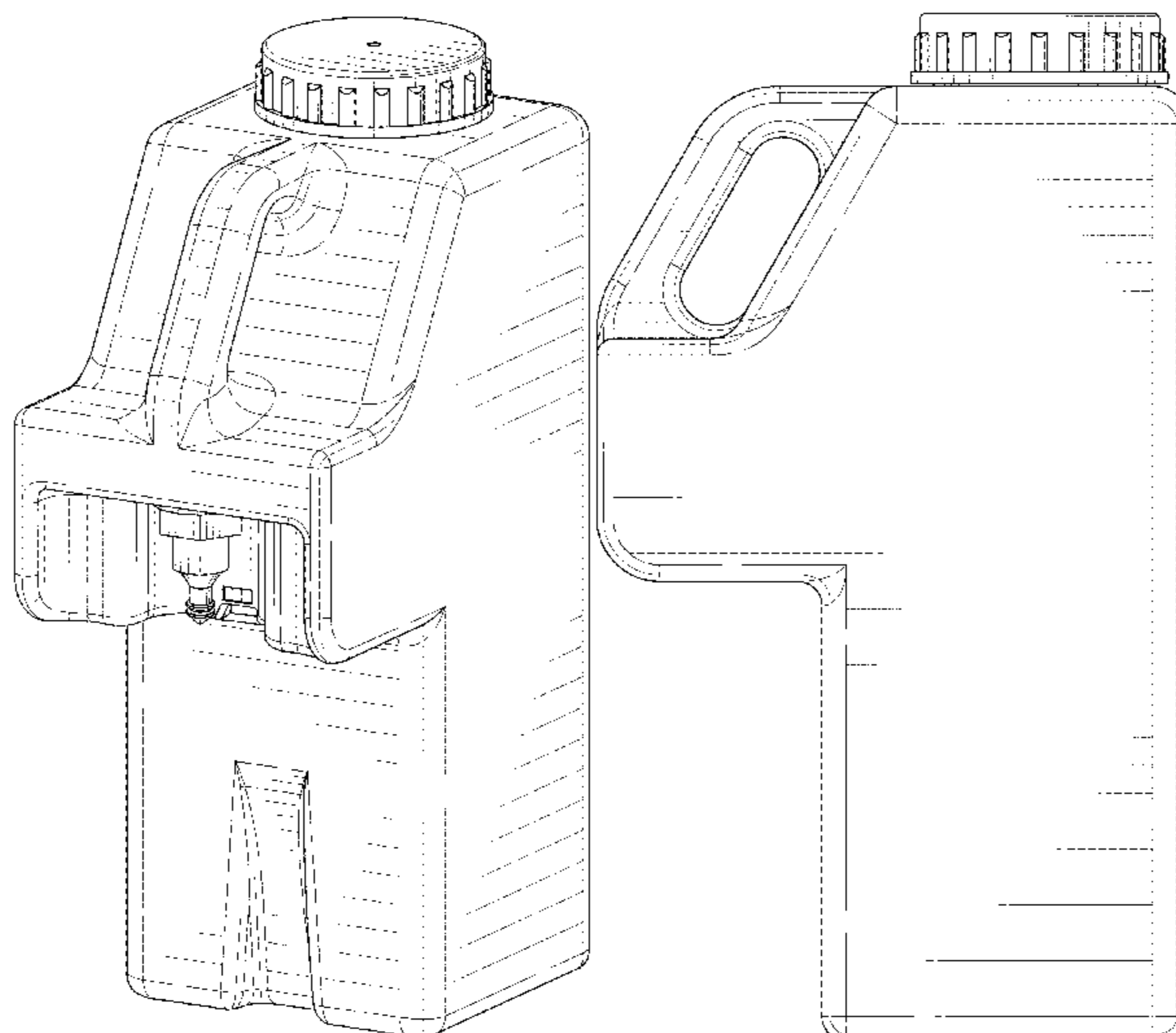
(57) **CLAIM**

The ornamental design for a bottle, as shown and described.

DESCRIPTION

FIG. 1 shows a top perspective view of the bottle.
FIG. 2 shows a front elevation view thereof.
FIG. 3 shows a back elevation view thereof.
FIG. 4 shows a left-side elevation view thereof.
FIG. 5 shows a right-side elevation view thereof.
FIG. 6 shows a top plan view thereof.
FIG. 7 shows a bottom plan view thereof; and,
FIG. 8 shows a bottom perspective view thereof.

1 Claim, 8 Drawing Sheets



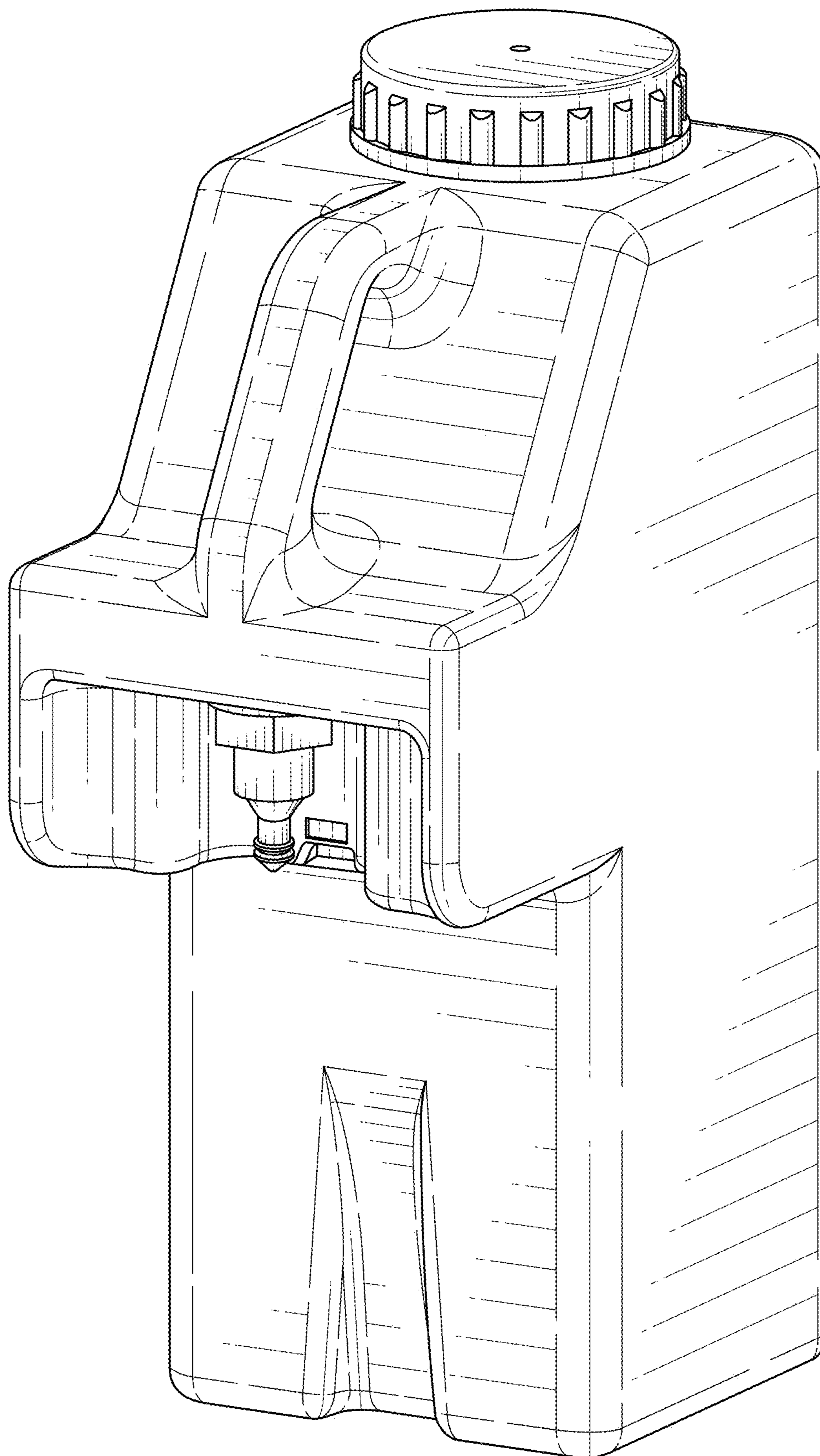


FIG. 1

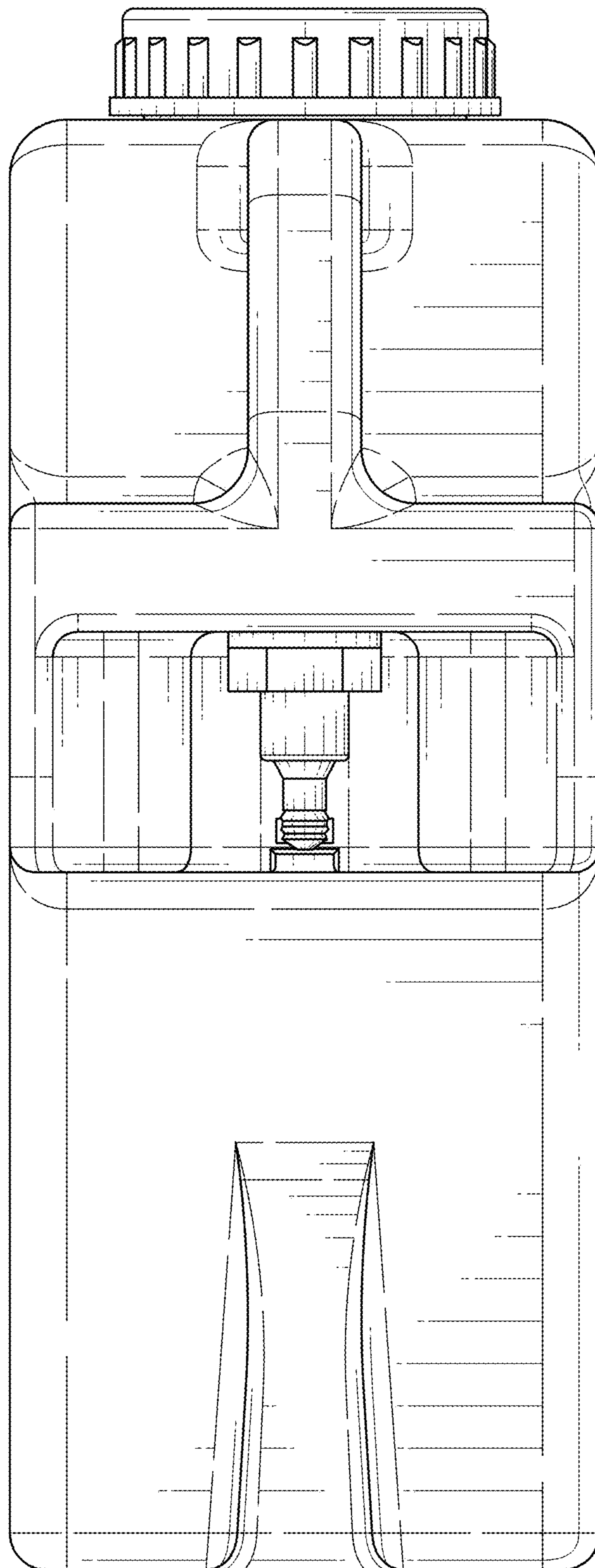


FIG. 2

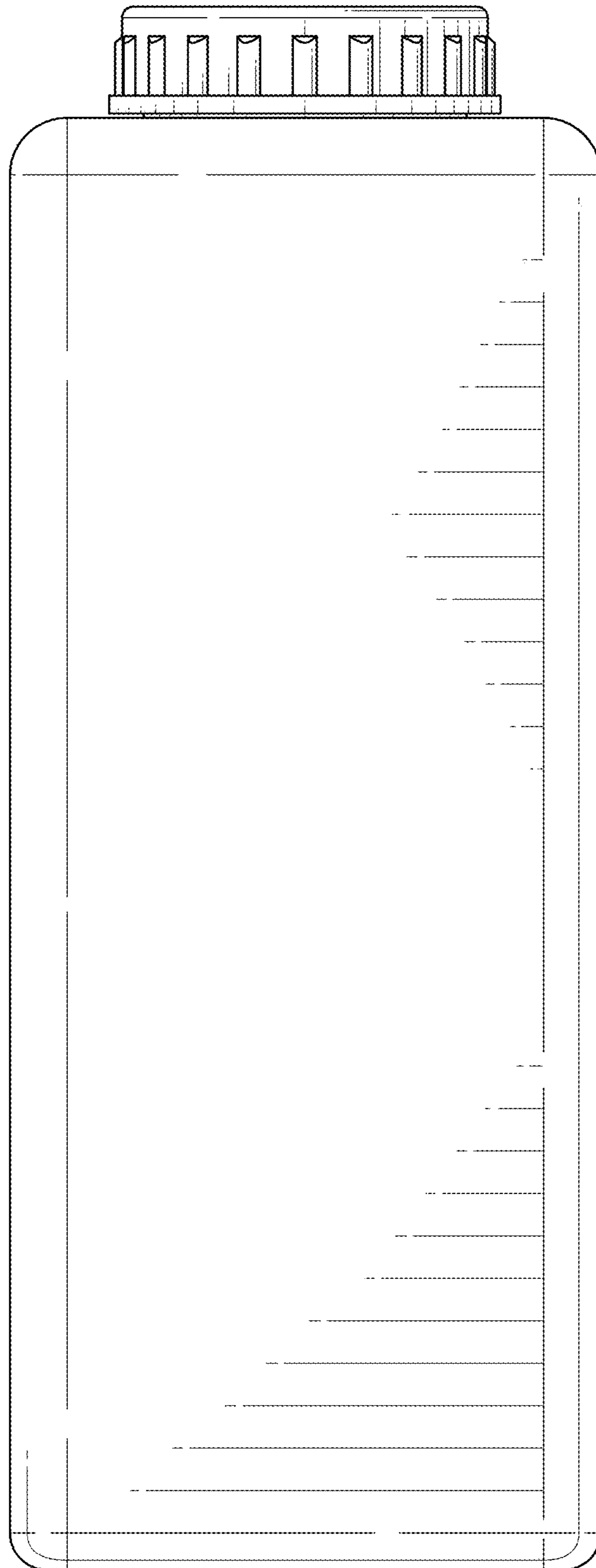


FIG. 3

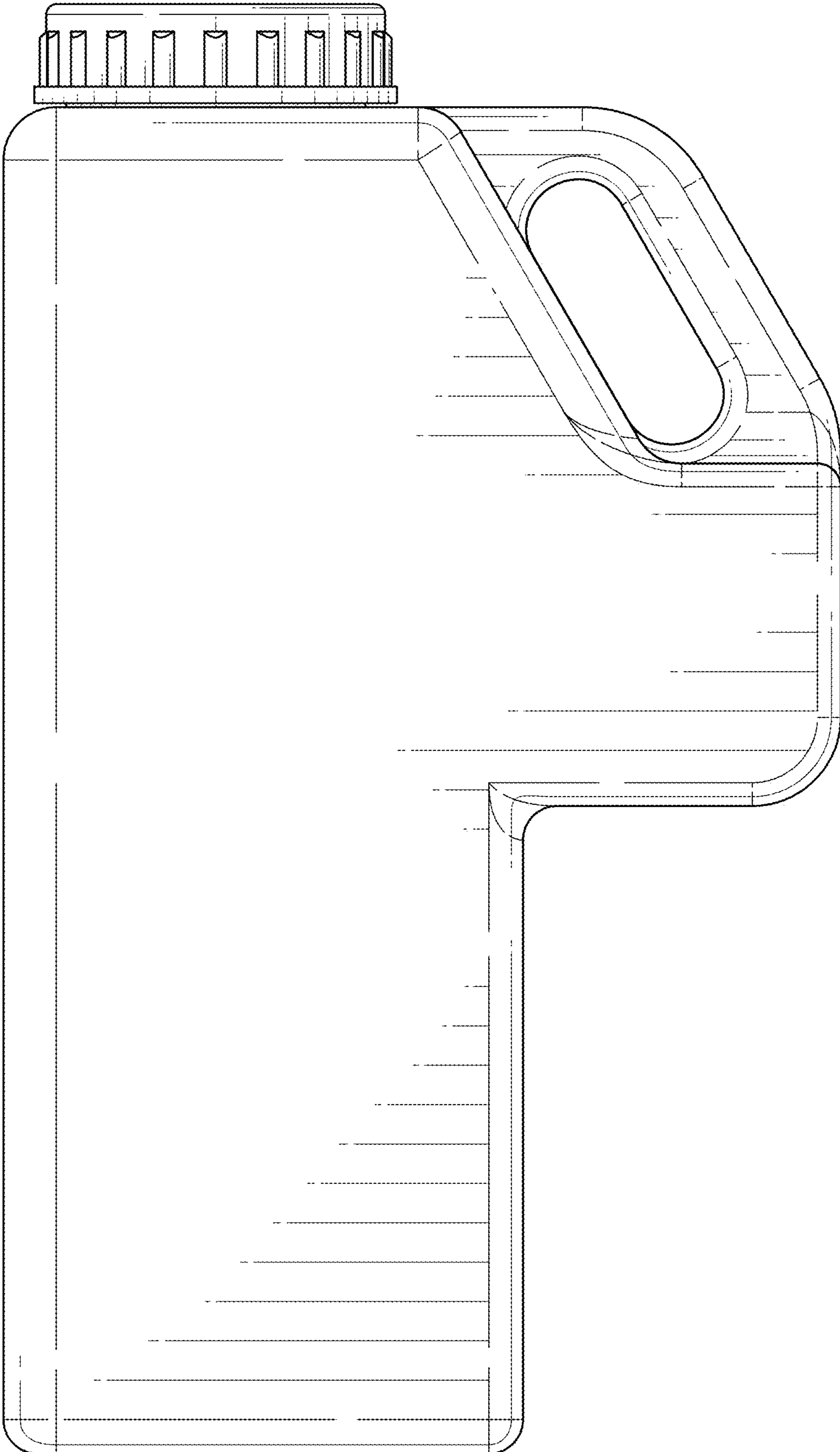


FIG. 4

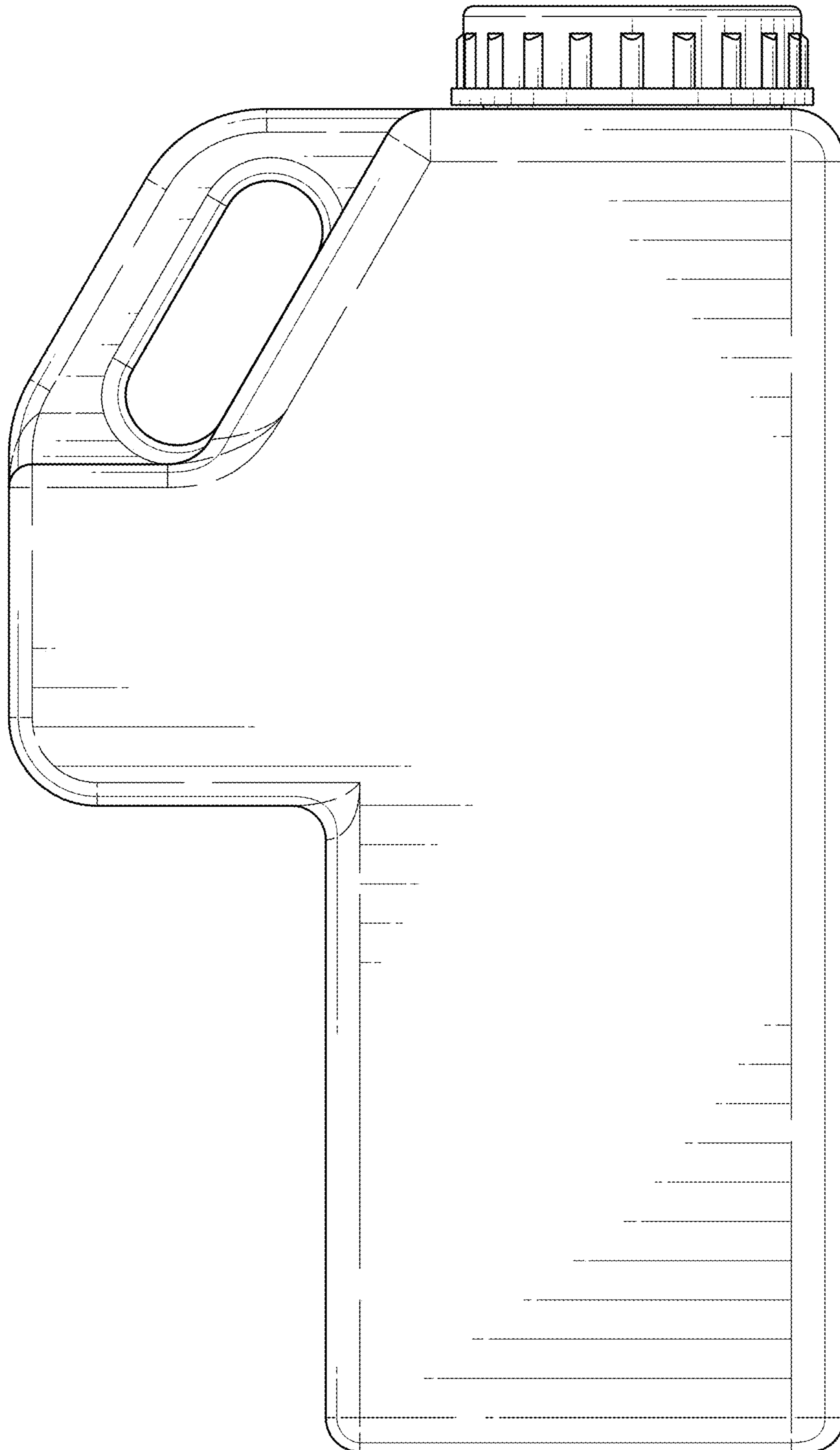


FIG. 5

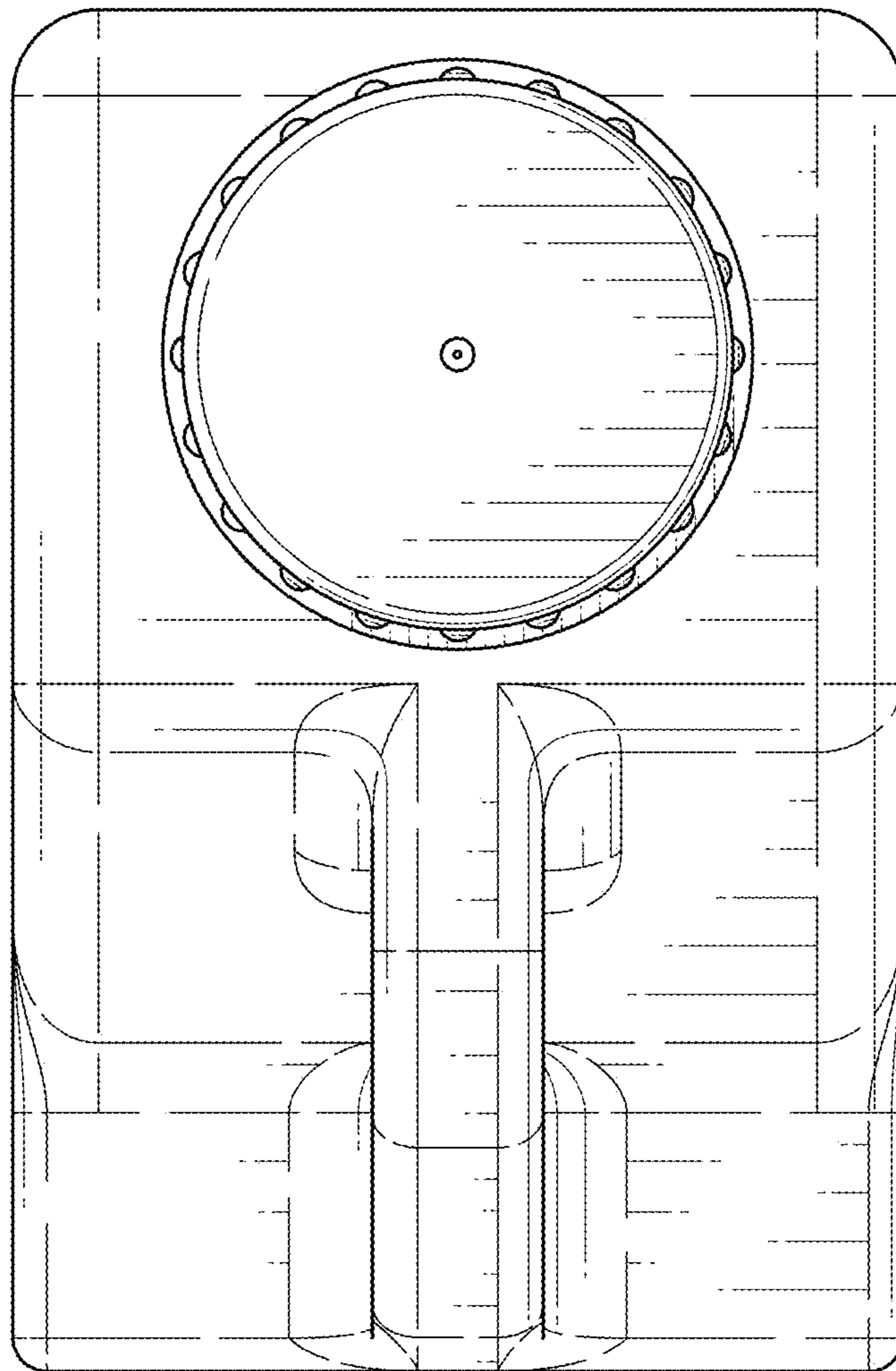


FIG. 6

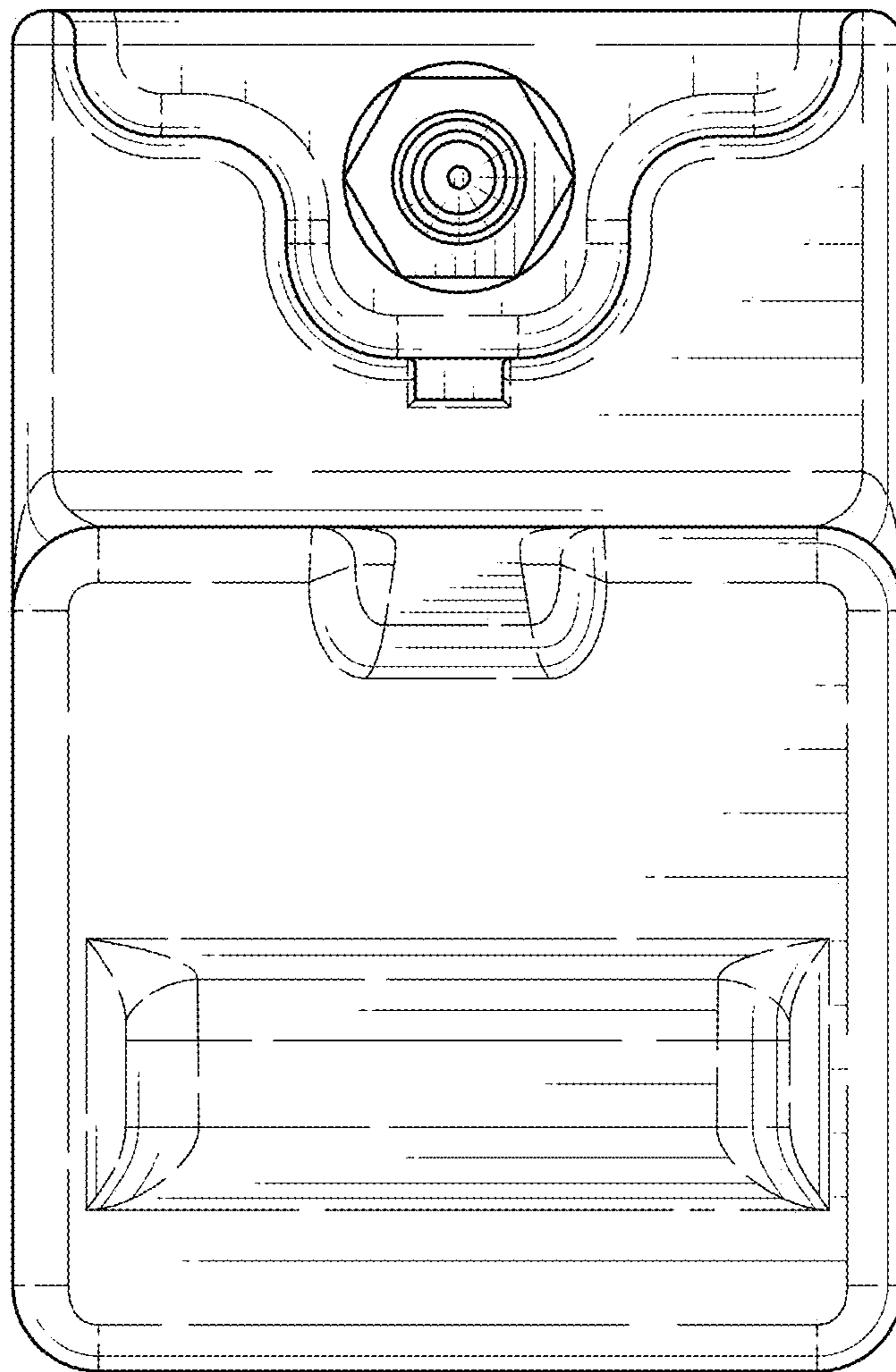


FIG. 7

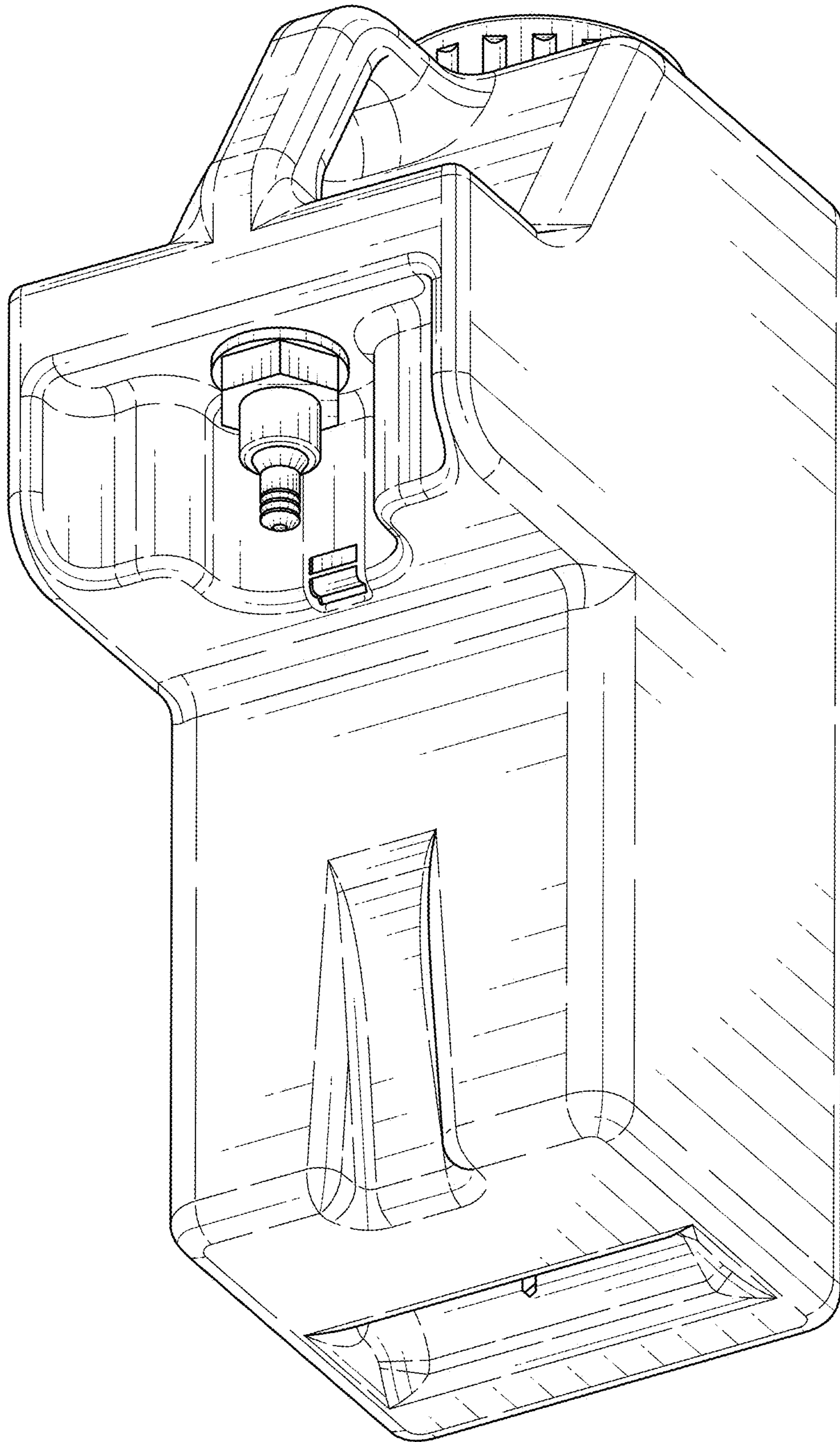


FIG. 8