



US00D895793S

(12) **United States Design Patent** (10) **Patent No.:** **US D895,793 S**
Ferrier et al. (45) **Date of Patent:** **** Sep. 8, 2020**

(54) **ENTERAL SYRINGE**
(71) Applicant: **Becton, Dickinson and Company,**
Franklin Lakes, NJ (US)
(72) Inventors: **Erik Ferrier,** Cranford, NJ (US);
Lokesh Ramamurthy, Chennai (IN)
(73) Assignee: **Becton, Dickinson and Company,**
Franklin Lakes, NJ (US)
(**) Term: **15 Years**
(21) Appl. No.: **29/695,581**
(22) Filed: **Jun. 20, 2019**
(51) **LOC (12) Cl.** **24-02**
(52) **U.S. Cl.**
USPC **D24/114**
(58) **Field of Classification Search**
USPC D24/112–114, 108, 133, 130, 127, 186;
606/181, 185; 604/264, 272, 187, 181,
604/184, 227
CPC A61M 5/178; A61M 3/00; A61M 5/20;
A61M 5/31; A61M 5/3146; A61M
5/3129; A61M 5/3148; A61M 5/315
See application file for complete search history.

D765,837 S * 9/2016 Lev D24/129
D767,124 S * 9/2016 Lev D24/129
D785,162 S * 4/2017 Swisher D24/114
9,656,022 B1 5/2017 Russo
D861,161 S * 9/2019 Schuessler D24/129
(Continued)

FOREIGN PATENT DOCUMENTS

EP 2583715 A1 4/2013
JP 2014514051 A 6/2014
(Continued)

OTHER PUBLICATIONS

PCT International Search Report and Written Opinion in PCT/
US2017/055023 dated Dec. 19, 2017, 16 pages.
(Continued)

Primary Examiner — David G Muller
(74) *Attorney, Agent, or Firm* — Servilla Whitney LLC

(57) **CLAIM**

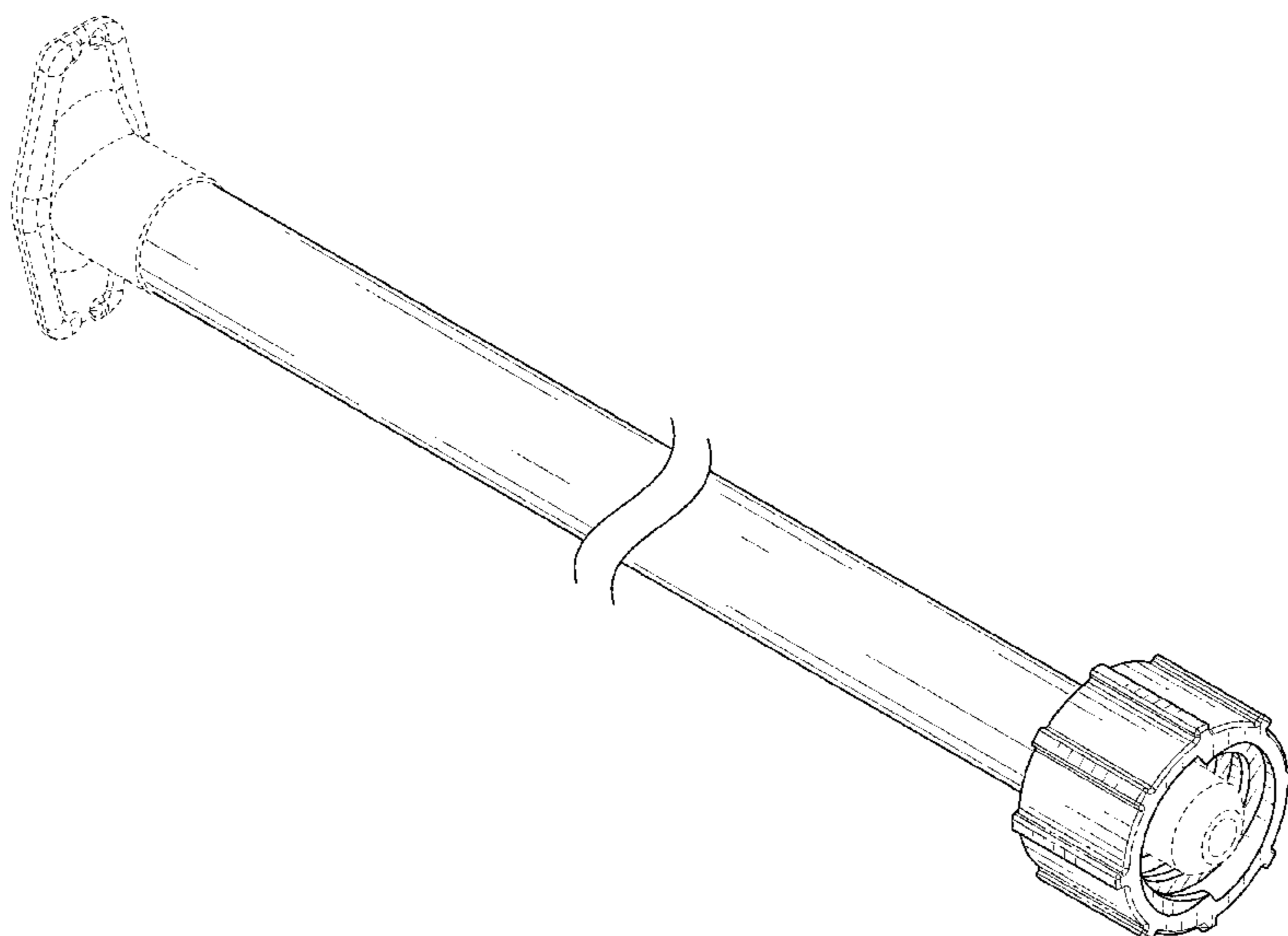
The ornamental design for an enteral syringe, substantially
as shown and described.

DESCRIPTION

FIG. 1 is a top-front isometric view of an enteral syringe;
FIG. 2 is a front view of the enteral syringe of FIG. 1;
FIG. 3 is a rear view of the enteral syringe of FIG. 1;
FIG. 4 is a left side view of the enteral syringe of FIG. 1;
FIG. 5 is right side view of the enteral syringe of FIG. 1;
FIG. 6 is a top view of the enteral syringe of FIG. 1; and,
FIG. 7 is a bottom view of the enteral syringe of FIG. 1.
The syringe is shown with a symbolic break in its length.
The appearance of any portion of the article between the
break lines forms no part of the claimed design.
The broken line showing of parts of the drawings is included
for the purpose of illustrating use and environment and
forms no part of the claimed design.

1 Claim, 4 Drawing Sheets

(56) **References Cited**
U.S. PATENT DOCUMENTS
4,390,017 A 6/1983 Harrison et al.
5,609,584 A 3/1997 Gettig et al.
6,183,421 B1 2/2001 Bobo
6,500,153 B1 12/2002 Sheppard et al.
6,599,269 B1 7/2003 Lewandowski et al.
7,066,914 B2 6/2006 Andersen
7,955,317 B2 6/2011 Fournie
8,292,875 B2 10/2012 Kennard
D710,499 S * 8/2014 Kawamura D24/130
D711,530 S * 8/2014 Gleason, Jr. D24/112
D714,935 S * 10/2014 Nishioka D24/130
8,888,758 B2 11/2014 Mansour et al.



(56)

References Cited

U.S. PATENT DOCUMENTS

2006/0047251 A1 3/2006 Bickford Smith et al.
 2008/0140020 A1 6/2008 Shirley
 2010/0022966 A1 1/2010 Kennard
 2011/0046568 A1 2/2011 Enns
 2012/0022457 A1 1/2012 Silver
 2012/0078214 A1* 3/2012 Finke A61J 1/2089
 604/411
 2012/0150129 A1* 6/2012 Jin A61M 39/10
 604/240
 2013/0030379 A1 1/2013 Ingram et al.
 2013/0090606 A1 4/2013 Shams
 2013/0158560 A1* 6/2013 Gleason A61B 17/8811
 606/94
 2013/0226100 A1* 8/2013 Lev A61J 1/2096
 604/246
 2013/0237904 A1* 9/2013 Deneburg A61M 5/3294
 604/86
 2013/0270819 A1* 10/2013 Amborn A61M 39/10
 285/328
 2016/0067471 A1 3/2016 Ingram et al.

2016/0106928 A1 4/2016 Davis et al.
 2016/0159635 A1 6/2016 Davis et al.
 2016/0279032 A1 9/2016 David et al.
 2017/0173321 A1 6/2017 Davis et al.

FOREIGN PATENT DOCUMENTS

WO 2012134513 A1 10/2012
 WO 2015146831 A1 10/2015
 WO 2018067629 A1 4/2018
 WO 2018067929 A1 4/2018

OTHER PUBLICATIONS

Non-Final Office Action in U.S. Appl. No. 29/695,580 dated Oct. 4, 2019, 8 pages.
 Non-Final Office Action in U.S. Appl. No. 15/286,655 dated Mar. 27, 2020, 15 pages.
 Non-Final Office Action in U.S. Appl. No. 29/695,580 dated Apr. 10, 2020, 8 pages.

* cited by examiner

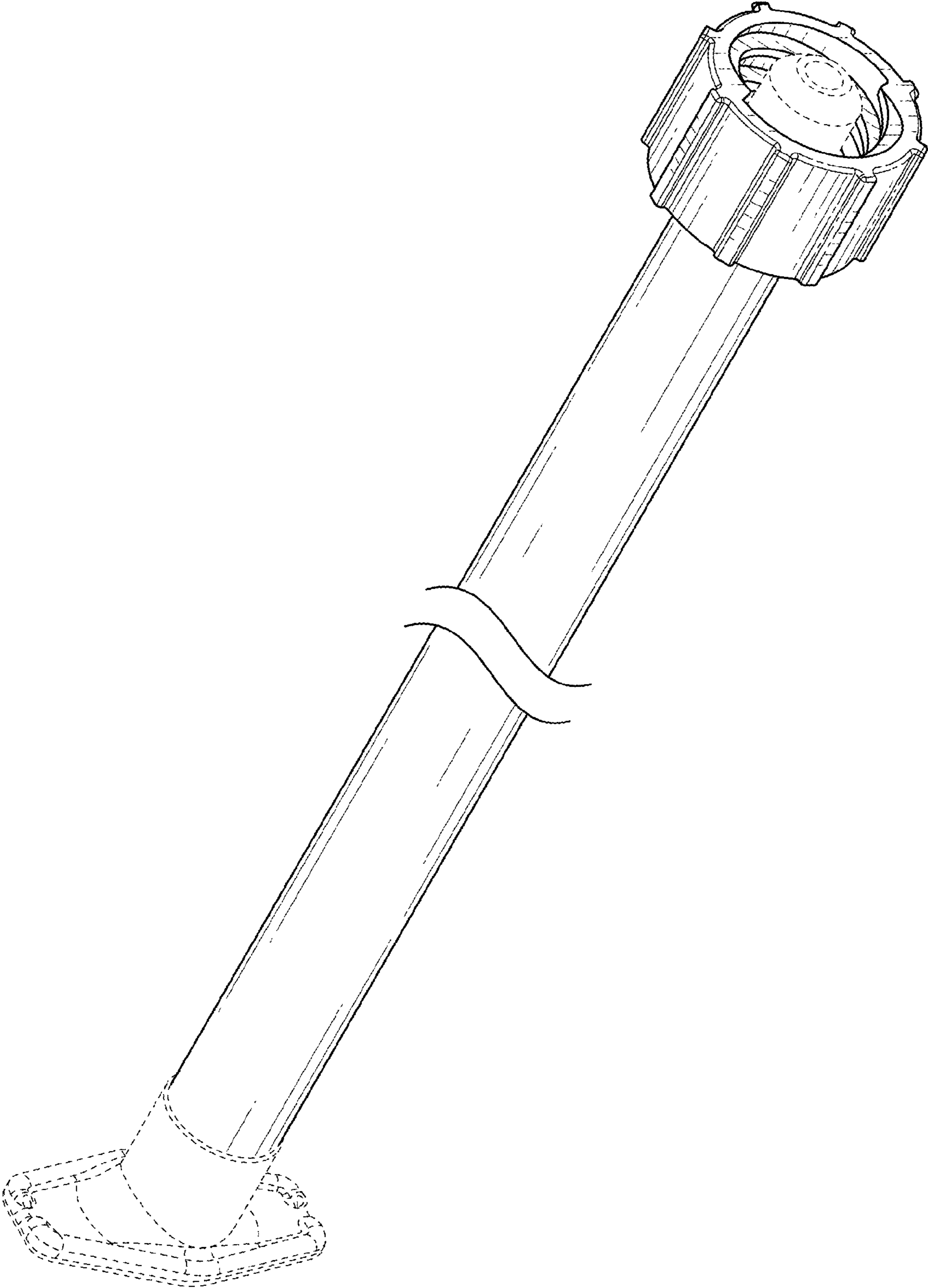


FIG. 1

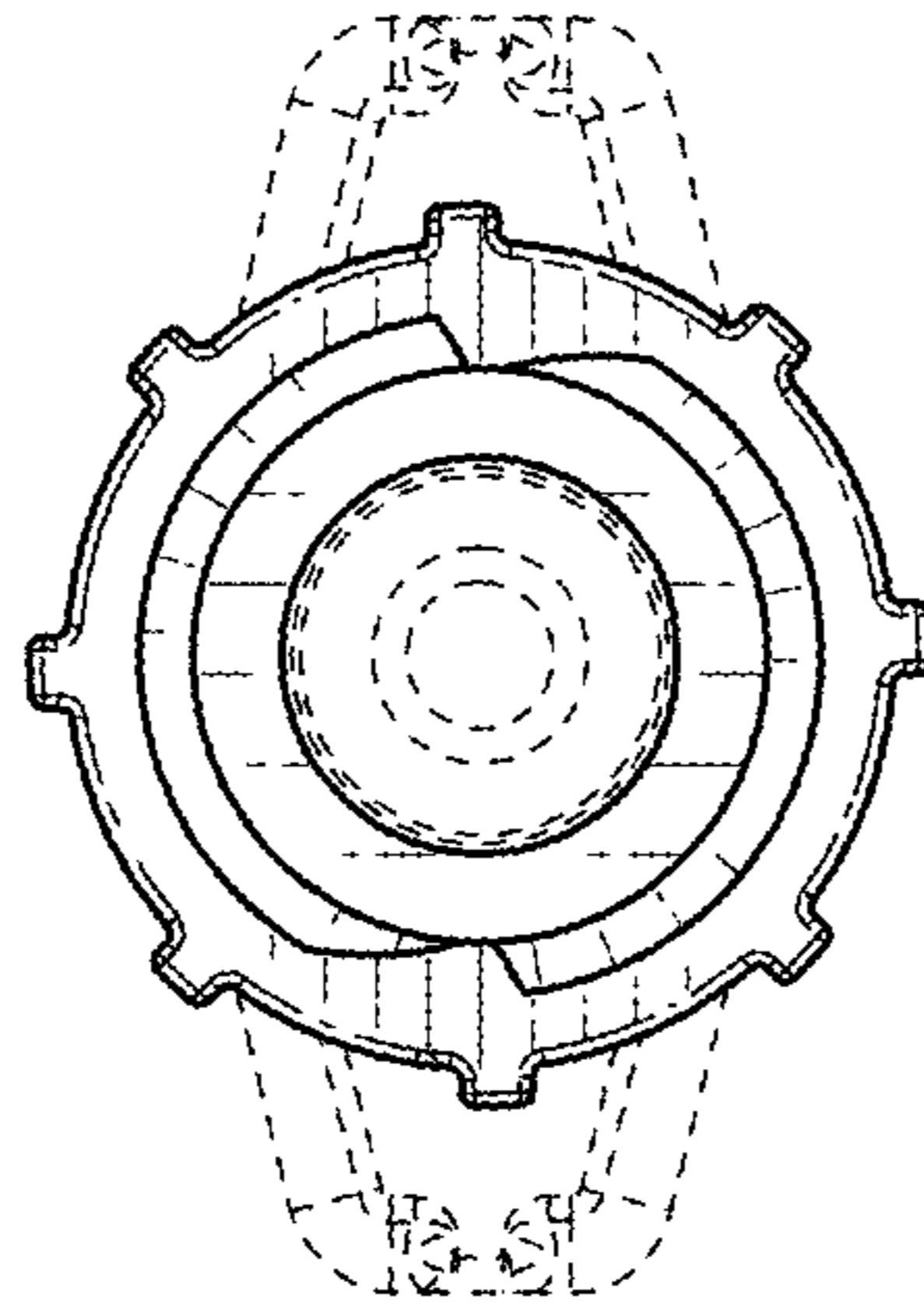


FIG. 2

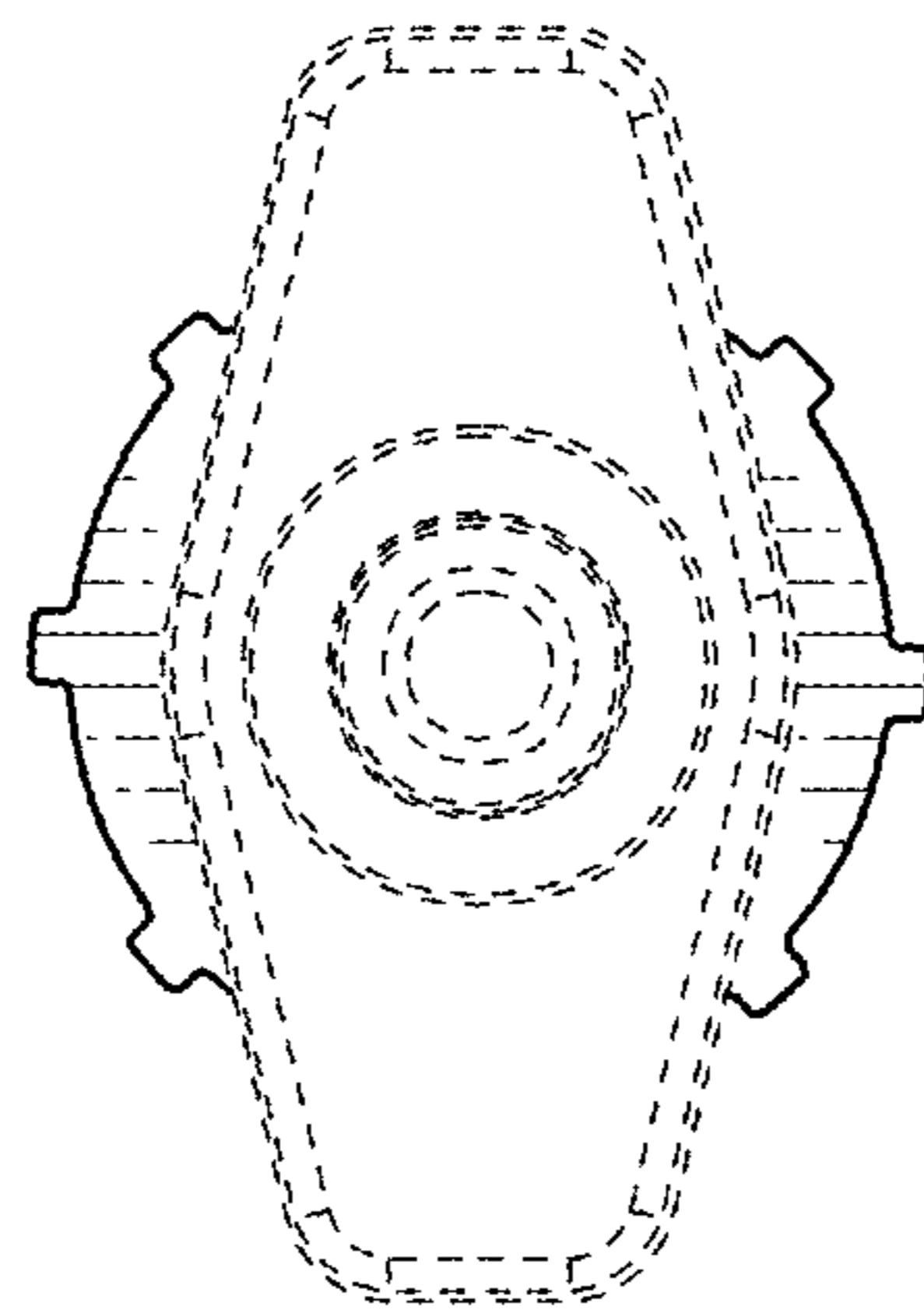


FIG. 3

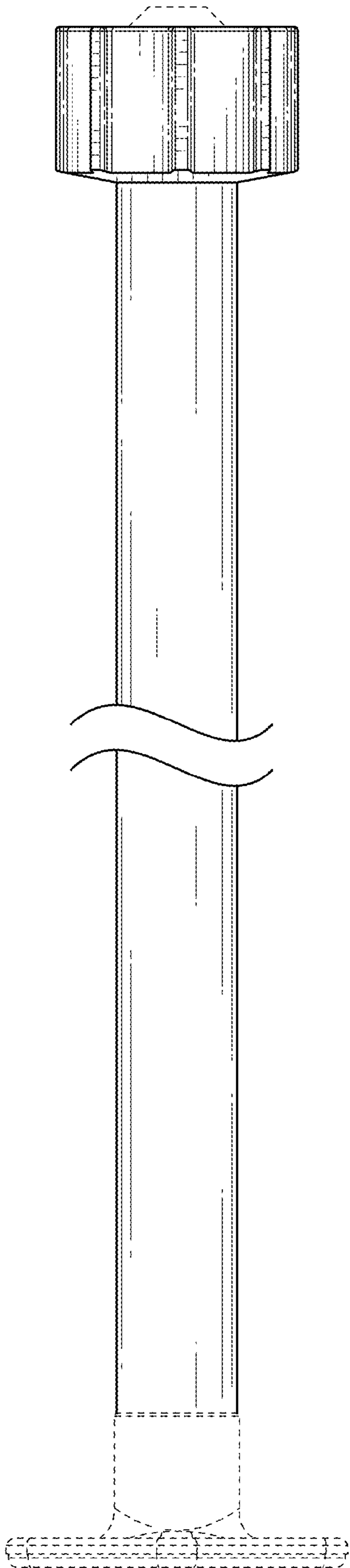


FIG. 4

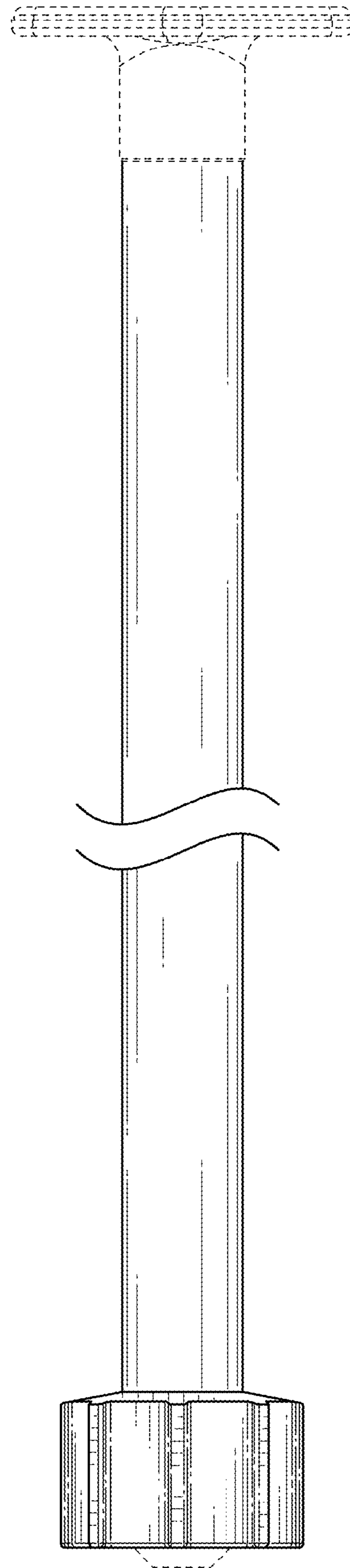


FIG. 5

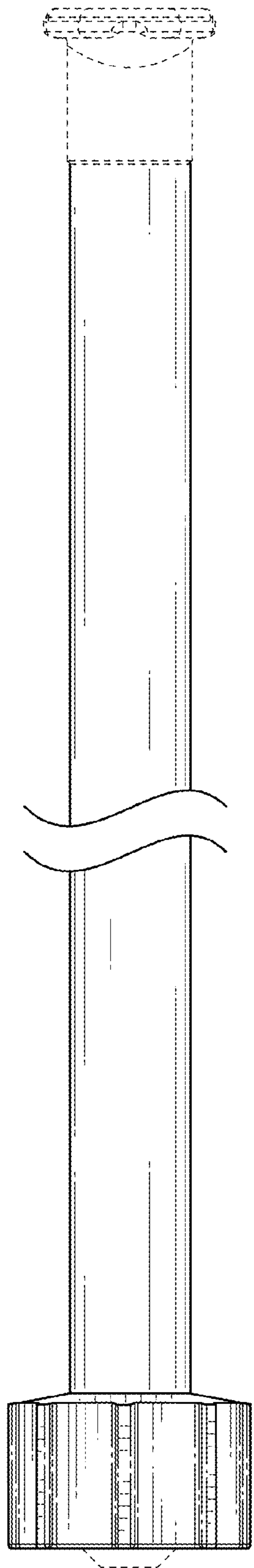


FIG. 6

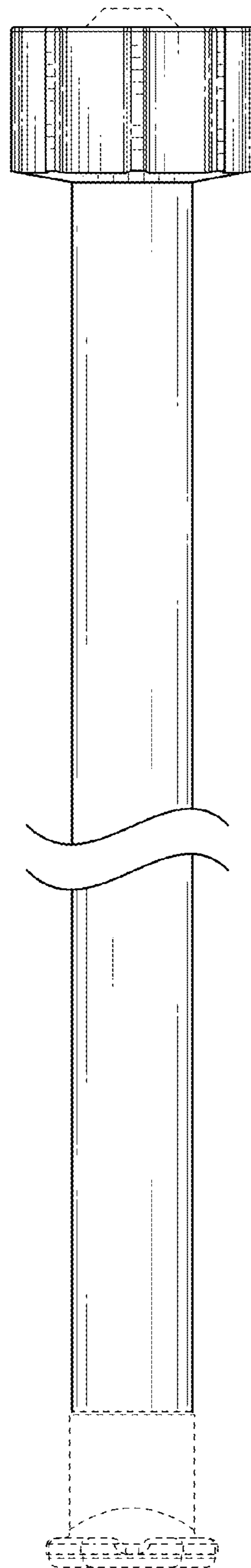


FIG. 7