



US00D895791S

(12) **United States Design Patent** (10) **Patent No.:** **US D895,791 S**
Yuan et al. (45) **Date of Patent:** **** Sep. 8, 2020**

(54) **ORAL IRRIGATOR**
(71) Applicant: **XIAMEN JIEBOYA TECHNOLOGY CO, LTD.**, Fujian (CN)
(72) Inventors: **Mu Yuan**, Fujian (CN); **Zhenlin Jiang**, Fujian (CN)
(73) Assignee: **XIAMEN JIEBOYA TECHNOLOGY CO, LTD.**, Fujian (CN)
(**) Term: **15 Years**
(21) Appl. No.: **29/691,549**
(22) Filed: **May 16, 2019**

D806,228 S * 12/2017 Yan D24/111
D806,229 S * 12/2017 Uchida D24/111
D815,274 S * 4/2018 Ladwig D24/111
D819,196 S * 5/2018 Kim D24/111
D881,383 S * 4/2020 Chen D24/111
D888,935 S * 6/2020 Fang D24/111
D888,936 S * 6/2020 Bondurant D24/111

(Continued)

FOREIGN PATENT DOCUMENTS

EM 005246824-0002 * 5/2018
EM 003710508-0001 * 3/2019

(Continued)

OTHER PUBLICATIONS

Jiehao Battery Water Flosser. Jieboya.com. Date accessed: May 5, 2020. Retrieved from Internet: www.jieboya.com/en/pd.jsp?id=23 (Year: 2020).*

Primary Examiner — Lilyana Bekic
(74) *Attorney, Agent, or Firm* — JCIP Global Inc.

(30) **Foreign Application Priority Data**
Dec. 17, 2018 (CN) 2018 3 0732037
(51) **LOC (12) Cl.** **24-02**
(52) **U.S. Cl.**
USPC **D24/111**
(58) **Field of Classification Search**
USPC D24/108, 111–115, 117, 152, 176;
D4/100, 101, 102, 104, 109
CPC A61C 17/20; A61C 17/00; A61C 17/005;
A61C 17/02; A61C 17/0202; A61C
17/0205; A61C 17/0211; A61C 17/36;
A61C 17/028; A61C 17/22; A61C
17/222; A61C 17/225; A61C 17/28
See application file for complete search history.

(57) **CLAIM**

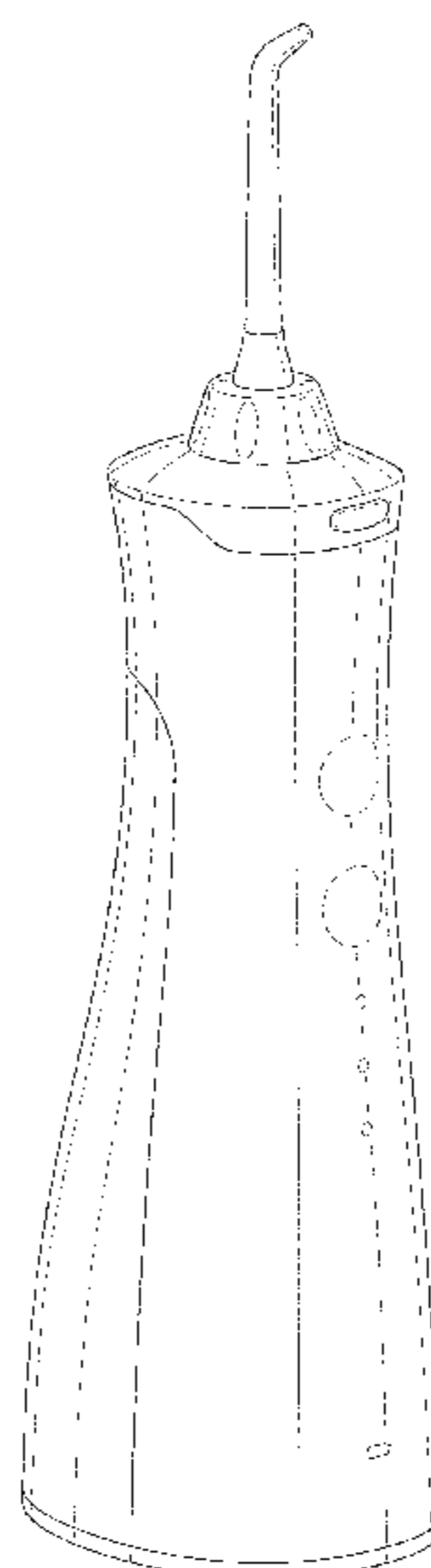
The ornamental design for an oral irrigator, as shown and described.

DESCRIPTION

FIG. 1 is a perspective view of the oral irrigator showing our new design;
FIG. 2 is a front view thereof;
FIG. 3 is a rear view thereof;
FIG. 4 is a left view thereof;
FIG. 5 is a right view thereof;
FIG. 6 is a top view thereof;
FIG. 7 is a bottom view thereof; and,
FIG. 8 is an enlarged view of portion 8 of FIG. 4.
The broken lines shown in the views depict portions of the oral irrigator that form no part of the claimed design.

(56) **References Cited**
U.S. PATENT DOCUMENTS
D486,573 S * 2/2004 Callaghan D24/111
D548,334 S * 8/2007 Izumi D24/111
D694,398 S * 11/2013 Taylor D24/108
D747,464 S * 1/2016 Taylor A61C 17/0202
D24/111
D780,908 S * 3/2017 Ladwig D24/111
D804,016 S * 11/2017 Ladwig D24/111

1 Claim, 7 Drawing Sheets



(56)

References Cited

U.S. PATENT DOCUMENTS

2004/0209222 A1* 10/2004 Snyder A61C 17/0202
433/80
2008/0008979 A1* 1/2008 Thomas A61C 17/0205
433/80
2016/0151133 A1* 6/2016 Luetngen F04B 19/22
433/80
2017/0318951 A1* 11/2017 Taghvai A46B 13/02
2019/0201175 A1* 7/2019 Li A61C 17/0202
2020/0214814 A1* 7/2020 Yuan A61C 1/0015

FOREIGN PATENT DOCUMENTS

EM 005835139-0001 * 3/2019
EM 001472724-0001 * 7/2019

* cited by examiner

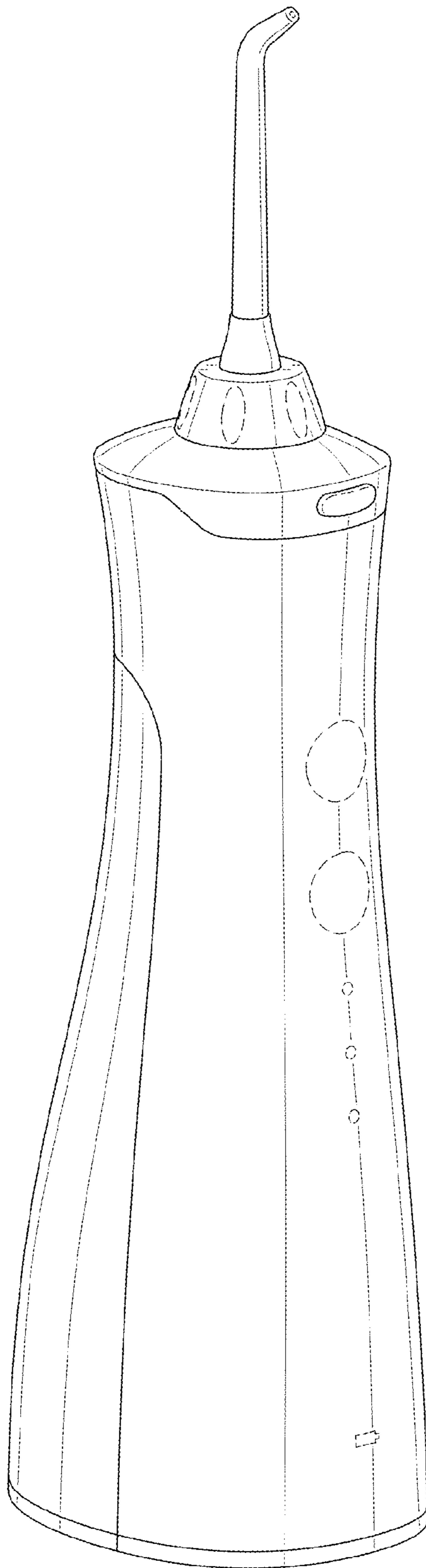


FIG. 1

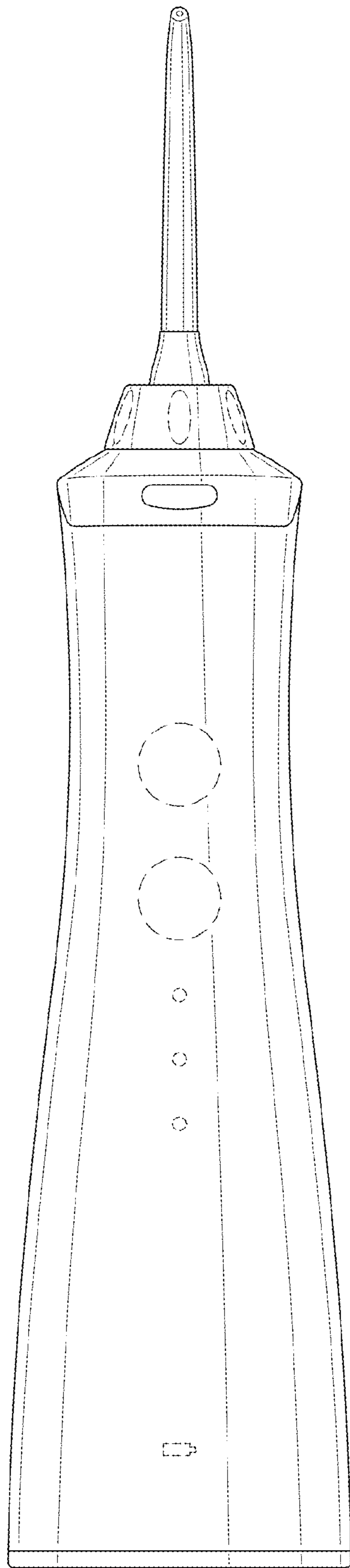


FIG. 2

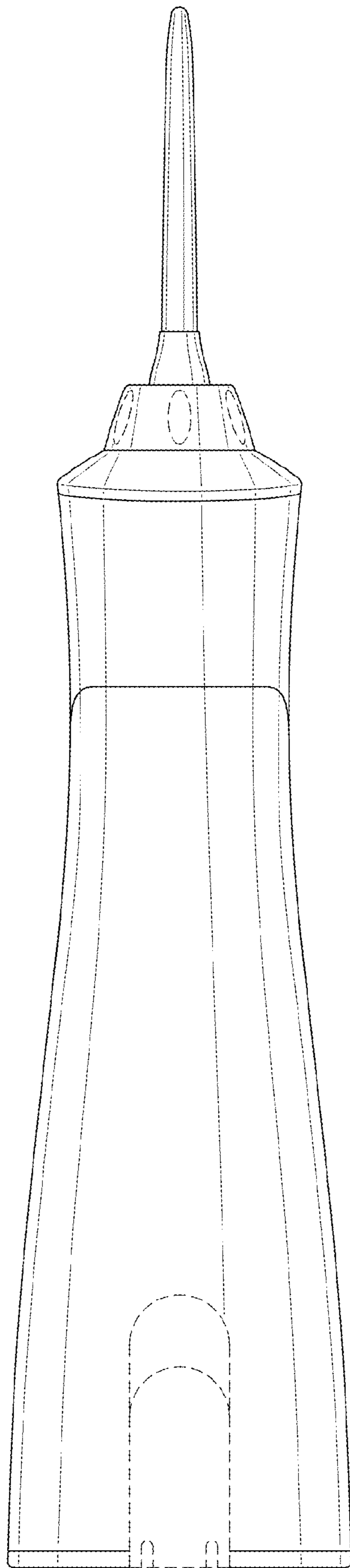


FIG. 3

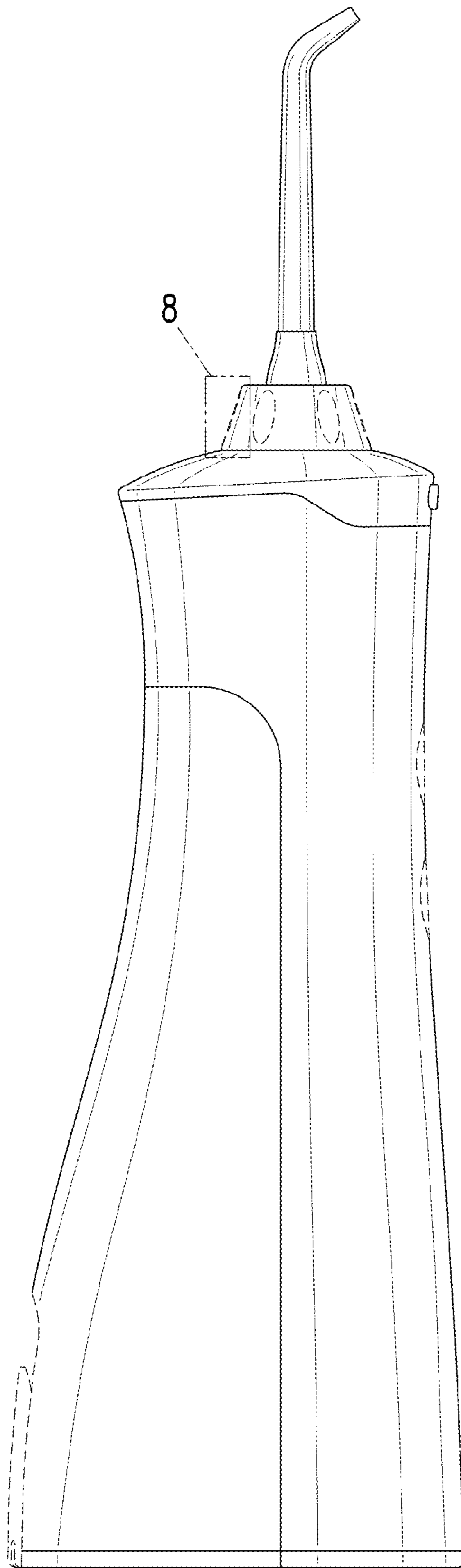


FIG. 4

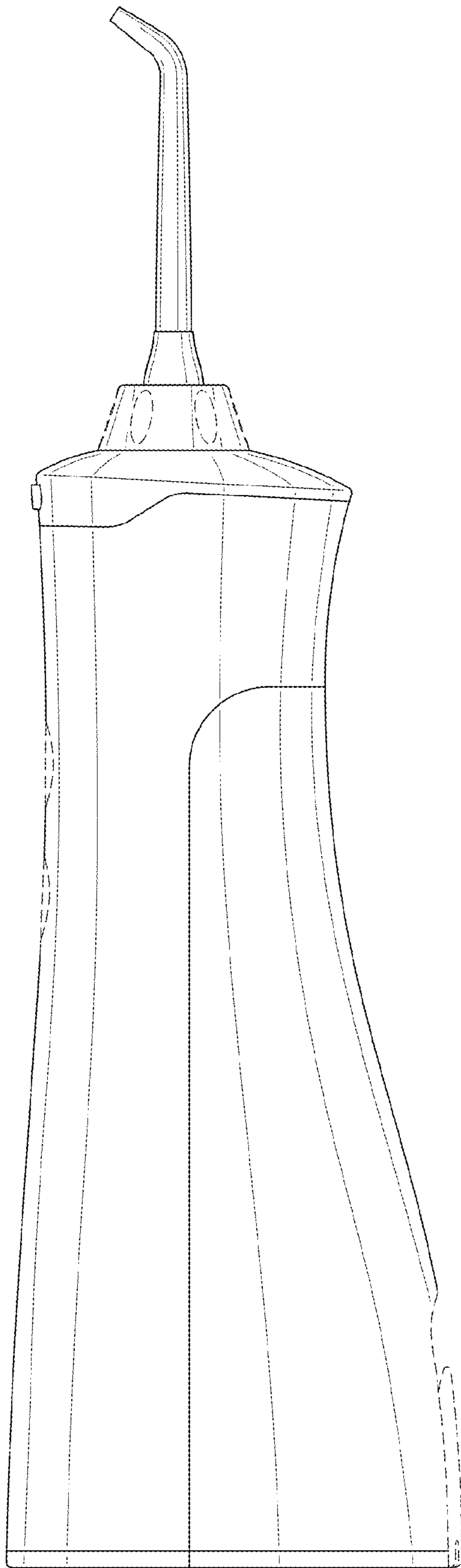


FIG. 5

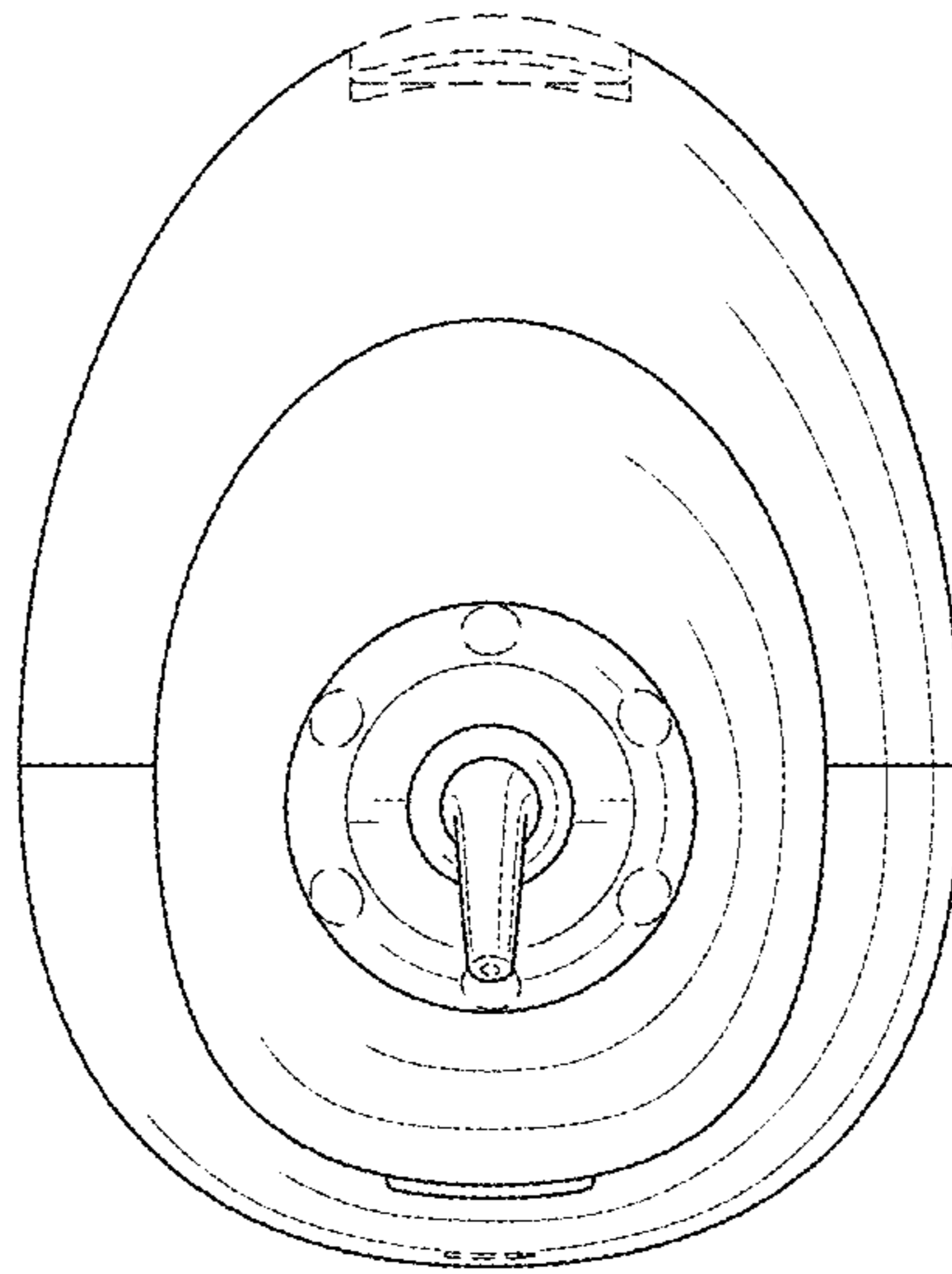


FIG. 6

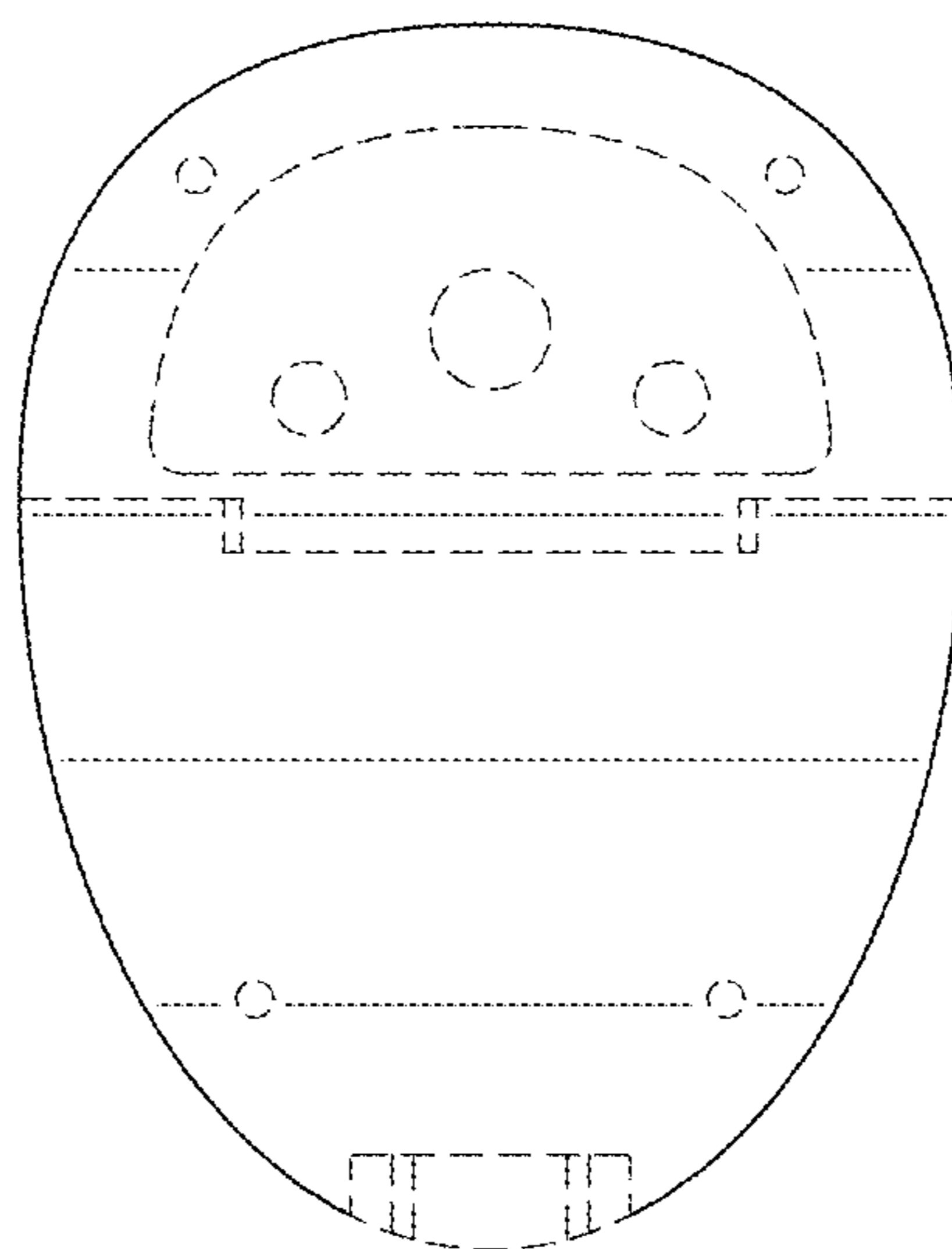


FIG. 7

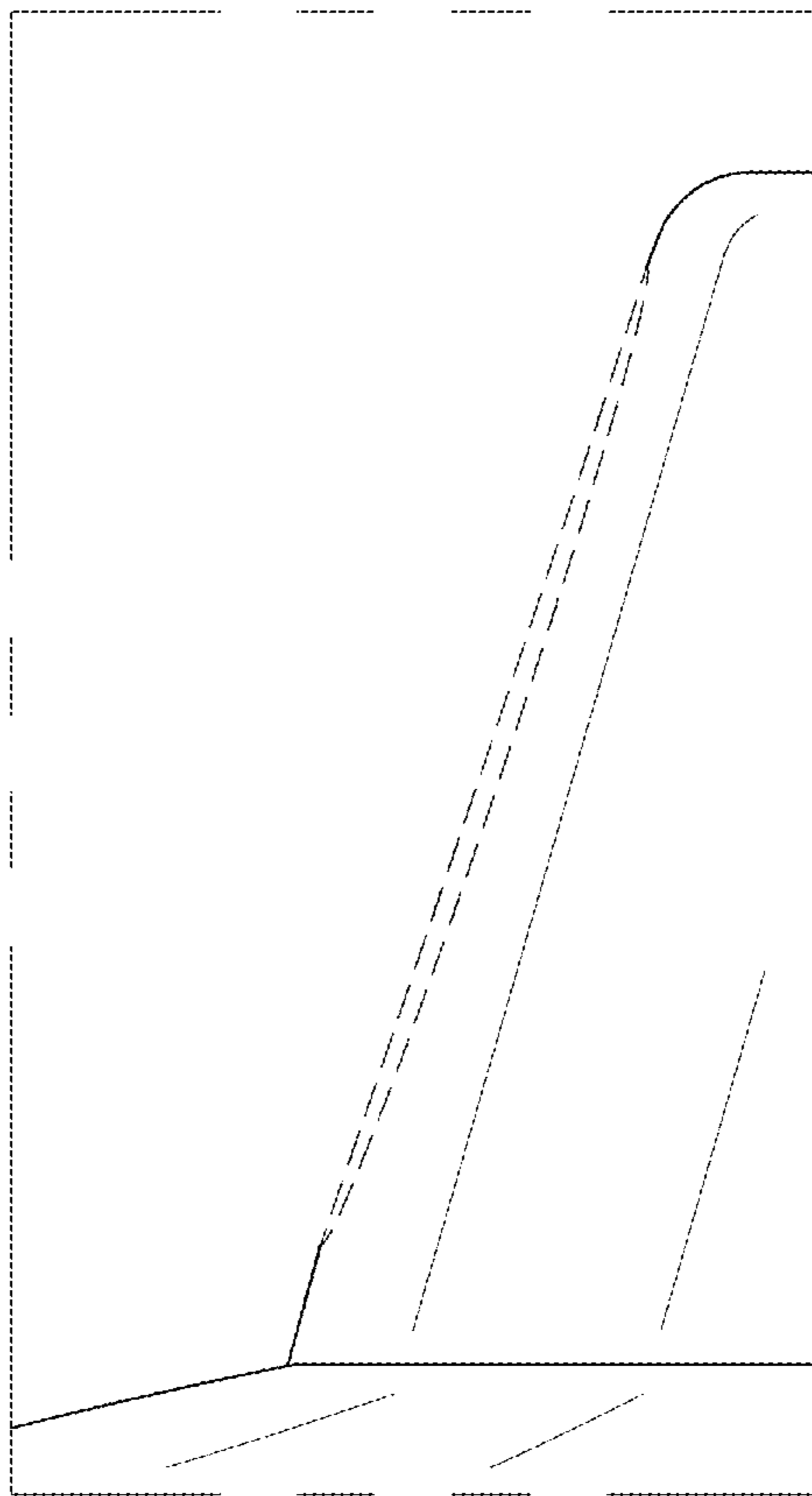


FIG. 8