



US00D895788S

(12) **United States Design Patent** (10) **Patent No.:** **US D895,788 S**  
**Barkai et al.** (45) **Date of Patent:** **\*\* Sep. 8, 2020**

(54) **PATIENT CIRCUIT FOR GAS DELIVERY**

(71) Applicant: **INOVYTEC MEDICAL SOLUTIONS LTD.**, Hod Hasharon (IL)

(72) Inventors: **Nir Barkai**, Kfar Saba (IL); **Mark Shahar**, Tel Aviv (IL)

(73) Assignee: **INOVYTEC MEDICAL SOLUTIONS LTD.**, Hod Hasharon (IL)

(\*\*) Term: **15 Years**

(21) Appl. No.: **29/656,687**

(22) Filed: **Jul. 16, 2018**

(30) **Foreign Application Priority Data**

Jan. 30, 2018 (IL) ..... 61573

(51) **LOC (12) Cl.** ..... **24-02**

(52) **U.S. Cl.**  
USPC ..... **D24/110; D24/164**

(58) **Field of Classification Search**  
USPC ..... D24/107-108, 127, 129, 110, 110.5,  
D24/110.6, 164

CPC ..... A61M 2016/0027; A61M 16/16; A61M  
16/0051; A61M 2016/0039; A61M 16/06;  
A61M 2205/502; A61M 16/024

See application file for complete search history.

(56) **References Cited**

**U.S. PATENT DOCUMENTS**

- 4,534,542 A \* 8/1985 Russo ..... A61M 1/0047  
137/843
- D692,128 S \* 10/2013 Miller ..... D24/110.6
- D693,001 S \* 11/2013 Winter ..... D24/110.6
- D745,140 S \* 12/2015 Wheeler ..... D24/110
- D753,268 S \* 4/2016 Nishimura ..... D23/233
- D776,278 S \* 1/2017 Newman ..... D24/164
- D797,935 S \* 9/2017 Newman ..... D24/164

- D807,995 S \* 1/2018 Maeckelberghe ..... D23/358
- D823,472 S \* 7/2018 Newman ..... D24/164
- D861,863 S \* 10/2019 Leonard ..... D24/127
- D867,913 S \* 11/2019 Hietala ..... D10/96
- D874,645 S \* 2/2020 McCool ..... D24/110
- D875,945 S \* 2/2020 Brose ..... D24/164
- 2009/0241948 A1 \* 10/2009 Clancy ..... A61M 15/0085  
128/203.14

(Continued)

**FOREIGN PATENT DOCUMENTS**

JP D1623148 \* 1/2019

**OTHER PUBLICATIONS**

Ventway Sparrow User Manual. InovyTec. Date published: May 2019. Retrieved from Internet: <https://www.inovytec.com/wp-content/uploads/2018/11/Ventway-Sparrow-IFU-VWSP-500-03-October-2018.pdf> (Year: 2019).\*

*Primary Examiner* — Lilyana Bekic

(74) *Attorney, Agent, or Firm* — Roach, Brown, McCarthy & Gruber, P.C.; Kevin D. McCarthy

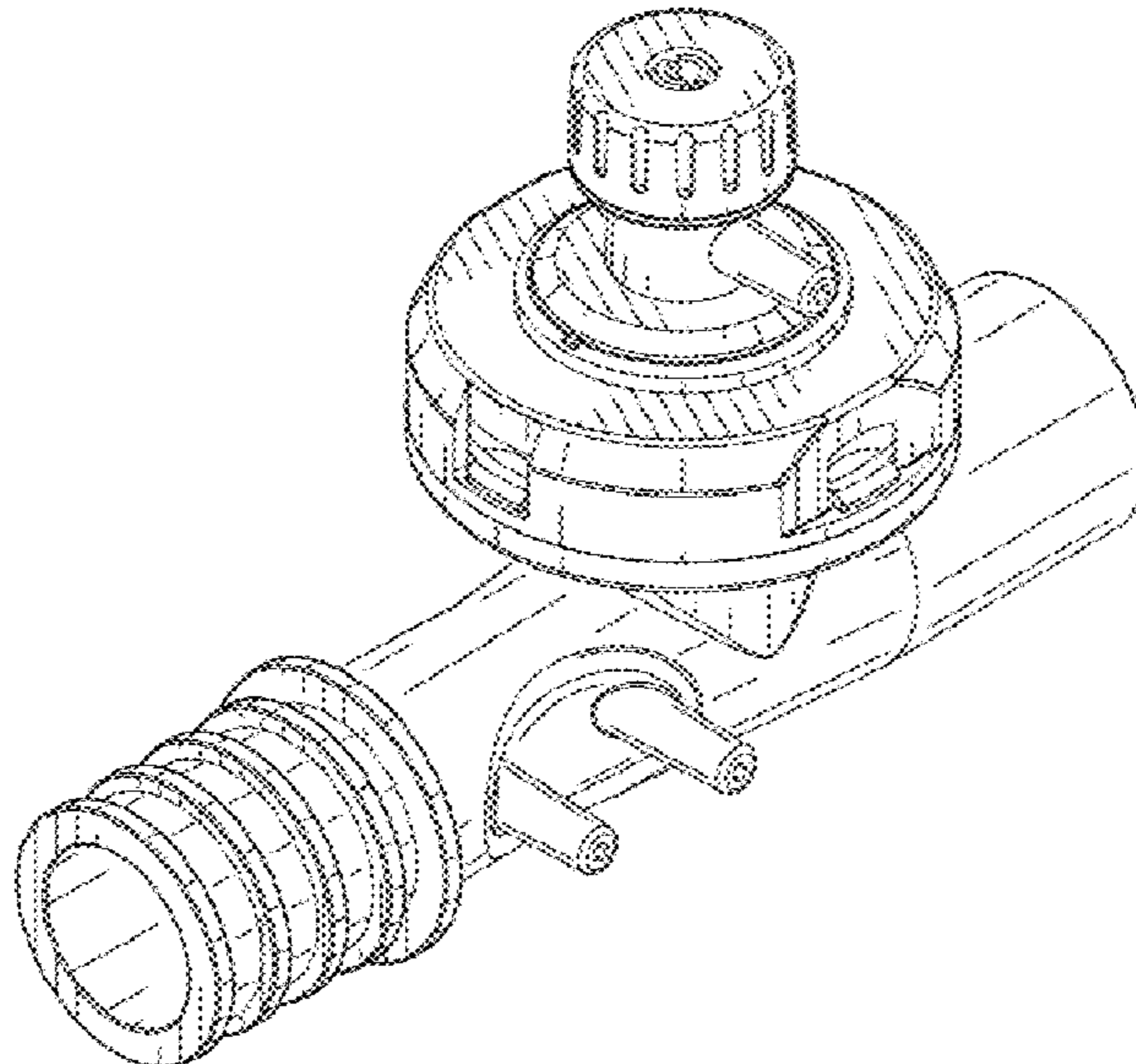
(57) **CLAIM**

The ornamental design for a patient circuit for gas delivery, as shown and described.

**DESCRIPTION**

FIG. 1 is an isometric view of a patient circuit for gas delivery showing our new design; FIG. 2 is a front view of FIG. 1; FIG. 3 is a back view of FIG. 1; FIG. 4 is a right side view of FIG. 1; FIG. 5 is a left side view of FIG. 1; FIG. 6 is a top view of FIG. 1; and, FIG. 7 is a bottom view of FIG. 1. The portions of the patient circuit for gas delivery shown in broken lines that form no part of the claimed design.

**1 Claim, 7 Drawing Sheets**



(56)

**References Cited**

U.S. PATENT DOCUMENTS

2010/0126502 A1\* 5/2010 Fink ..... A61M 16/0057  
128/200.21  
2013/0333701 A1\* 12/2013 Herron ..... A61M 16/0875  
128/203.27  
2015/0128944 A1\* 5/2015 Buechi ..... A61M 16/16  
128/203.27  
2015/0306332 A1\* 10/2015 Bafle ..... A61M 15/08  
128/202.27  
2017/0100556 A1\* 4/2017 Munkelt ..... A61M 16/0808  
2018/0050227 A1\* 2/2018 Brose ..... A62B 9/003

\* cited by examiner

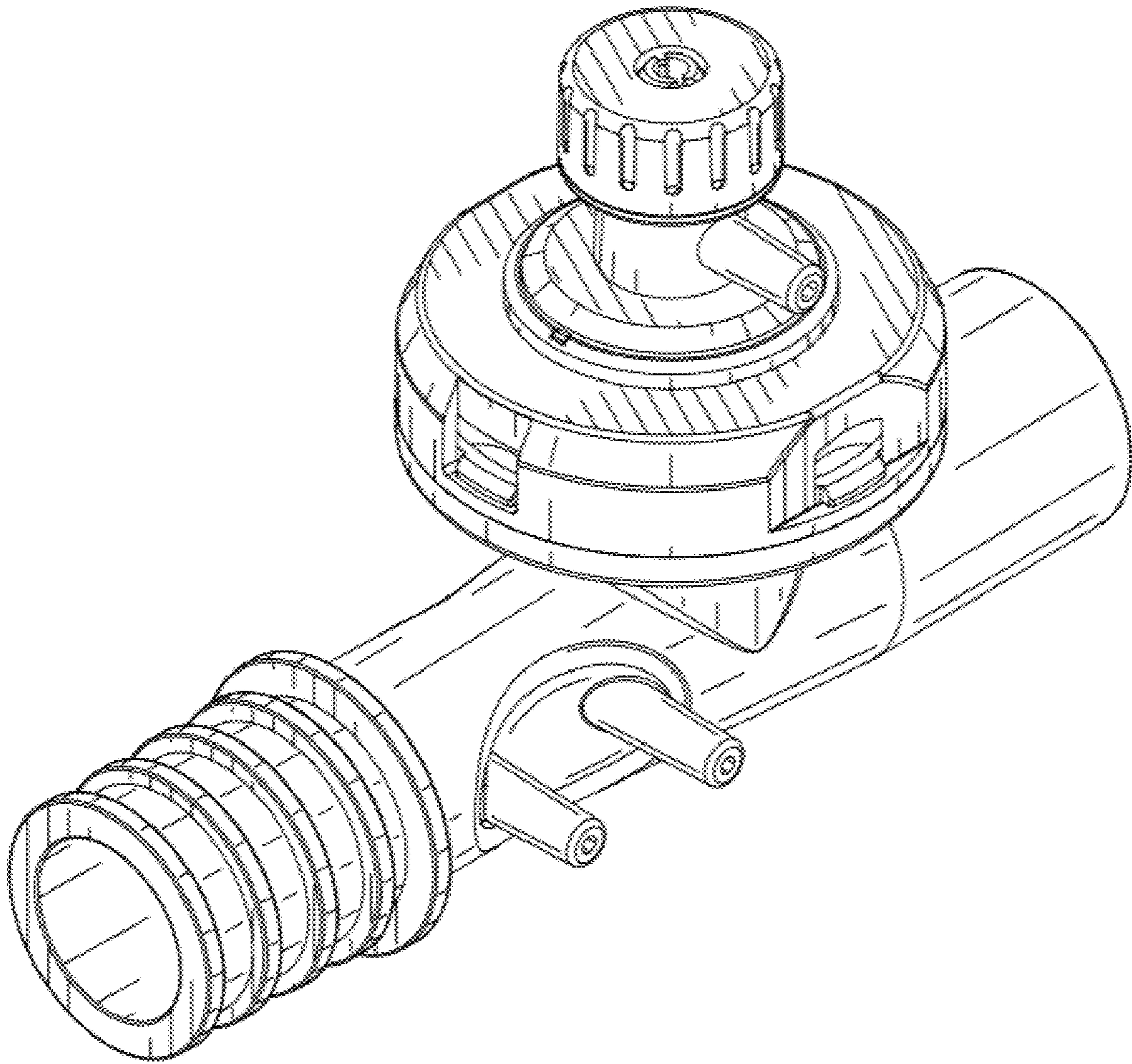


Figure 1

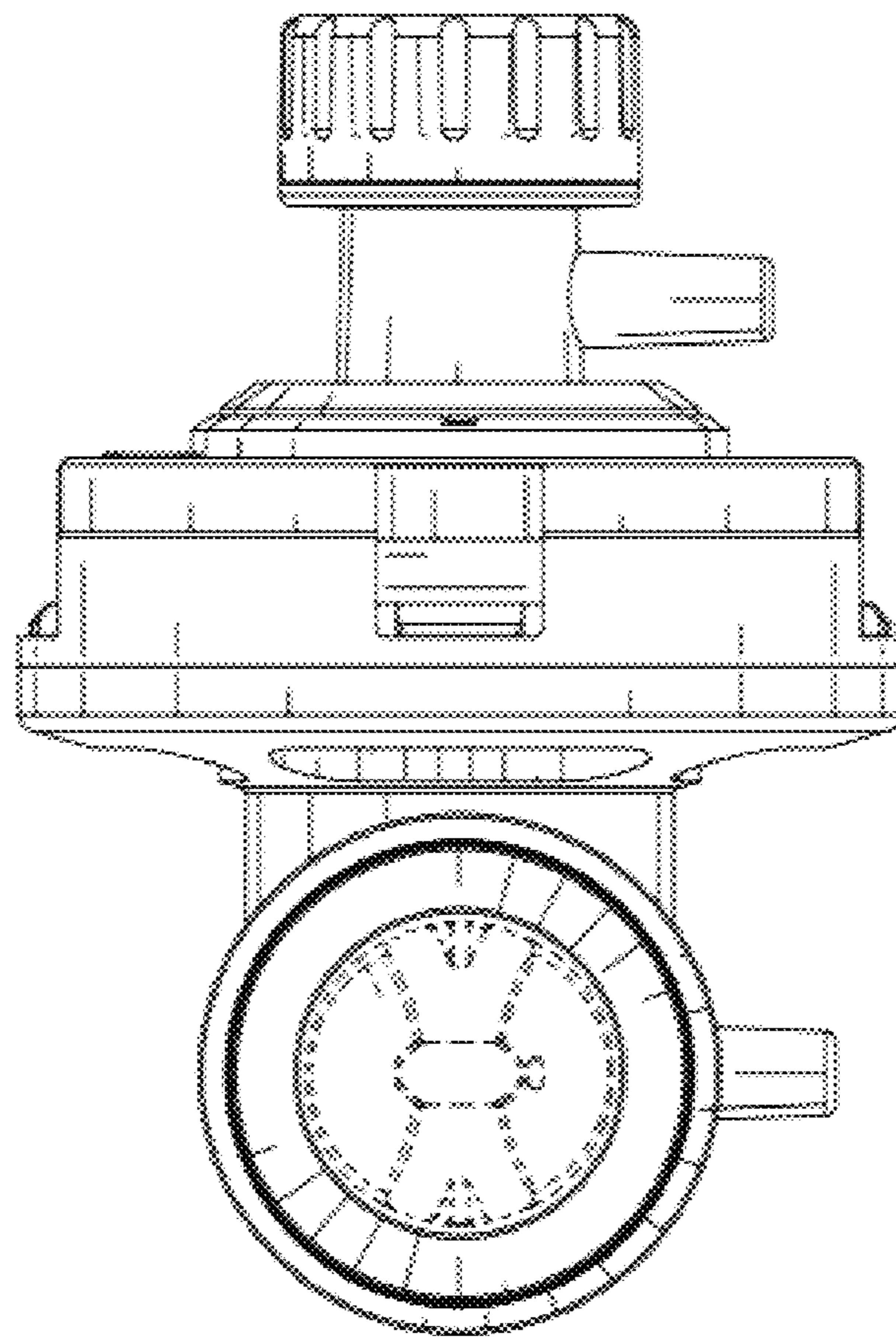


Figure 2

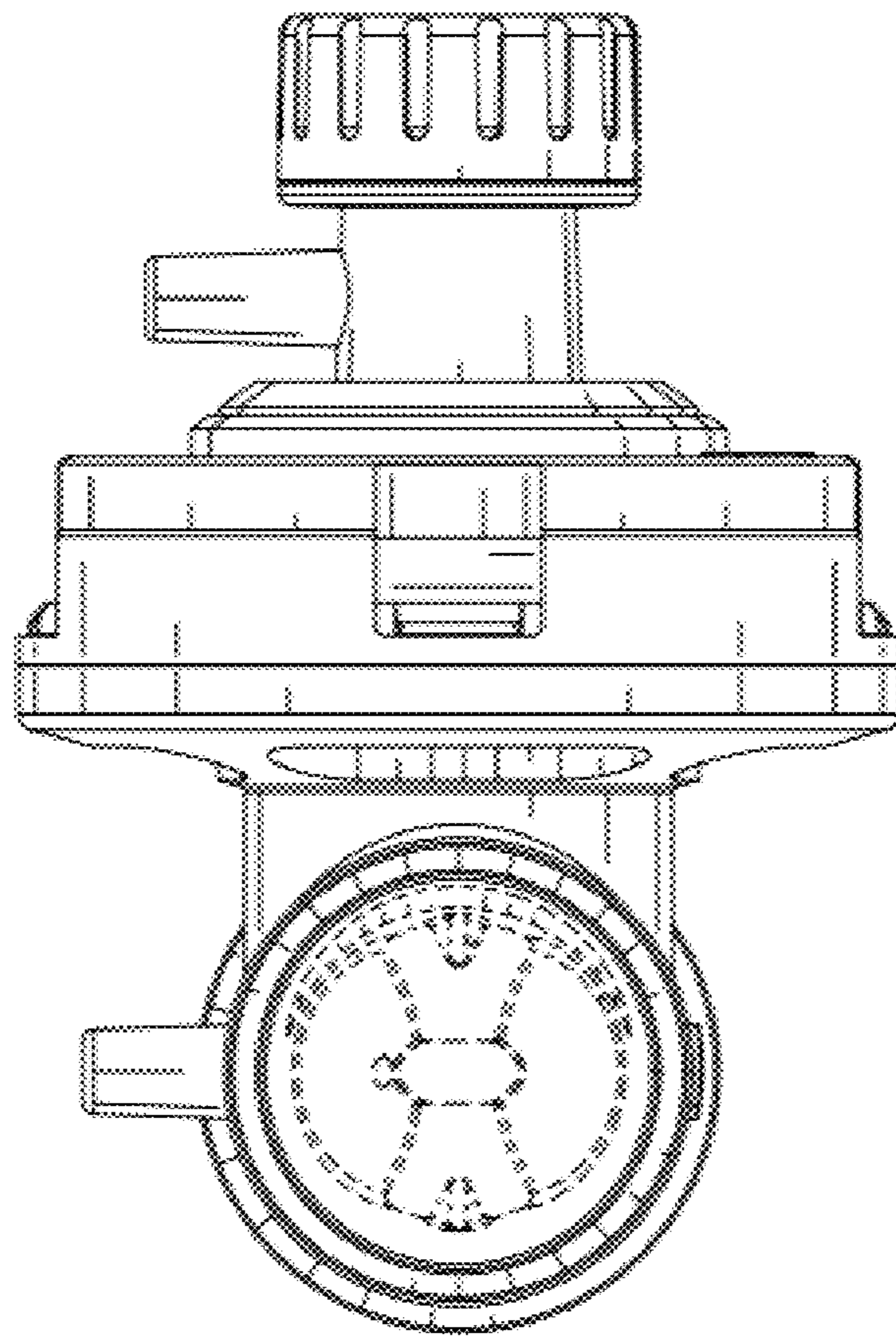


Figure 3

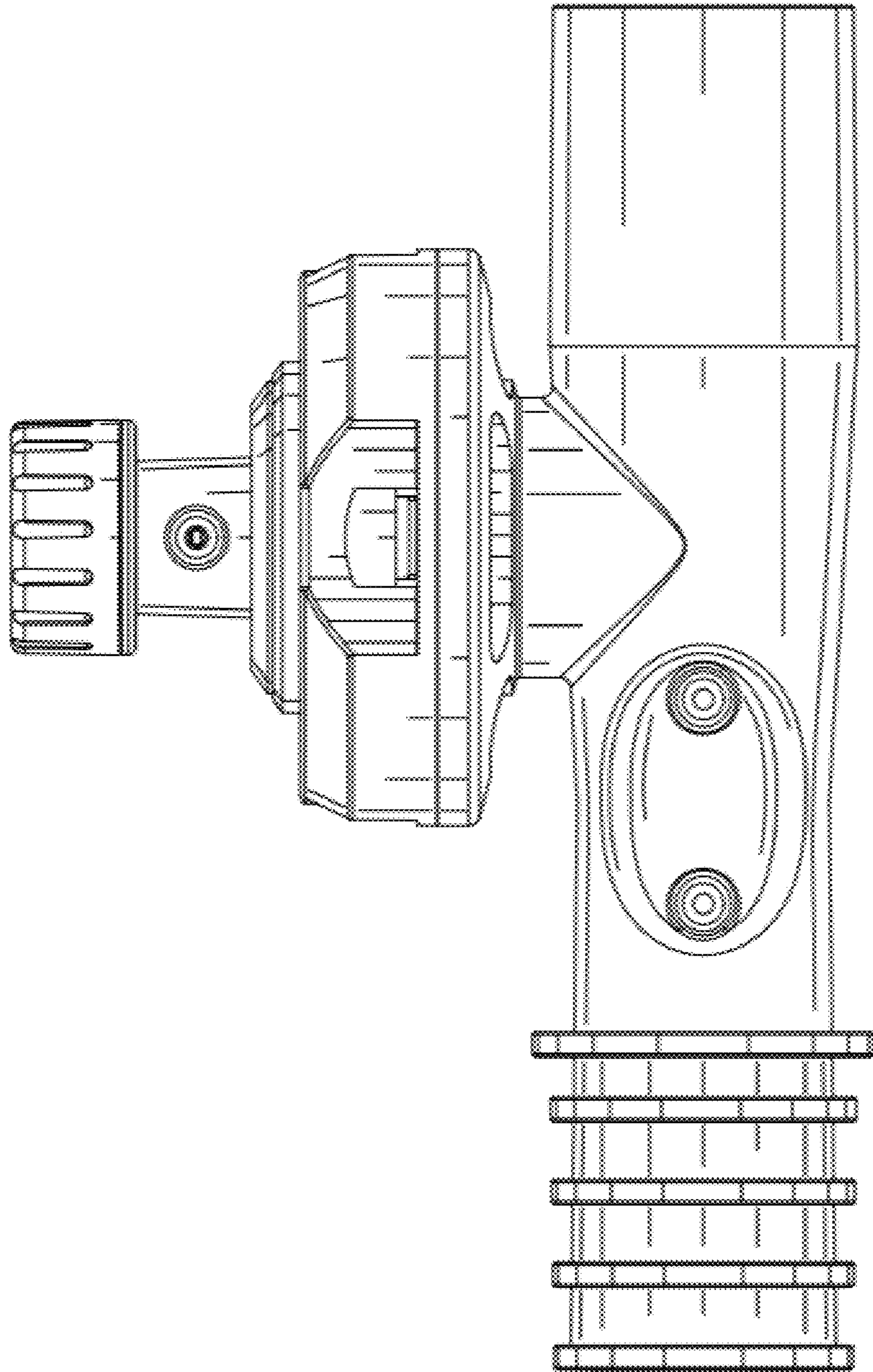


Figure 4

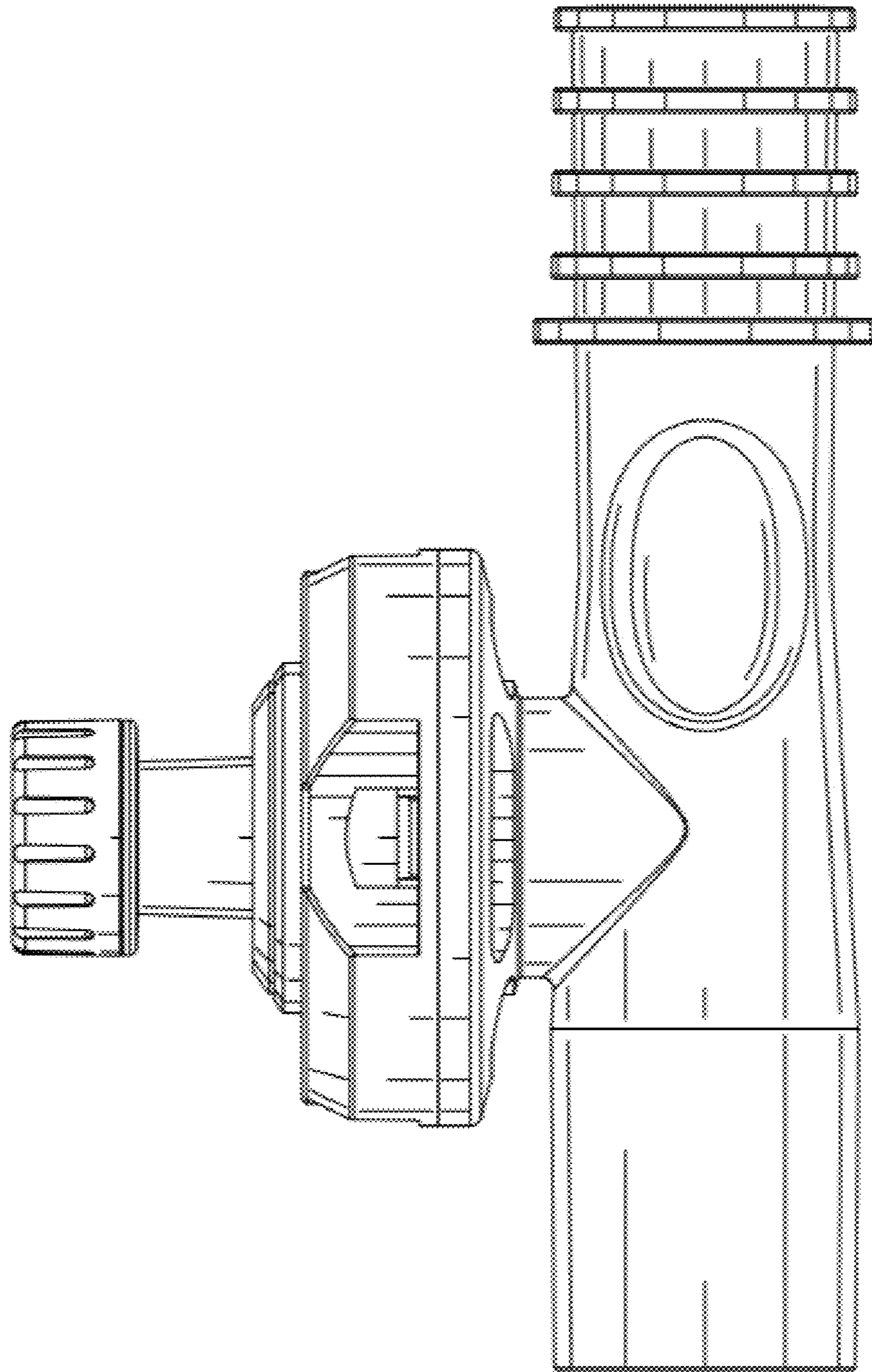


Figure 5

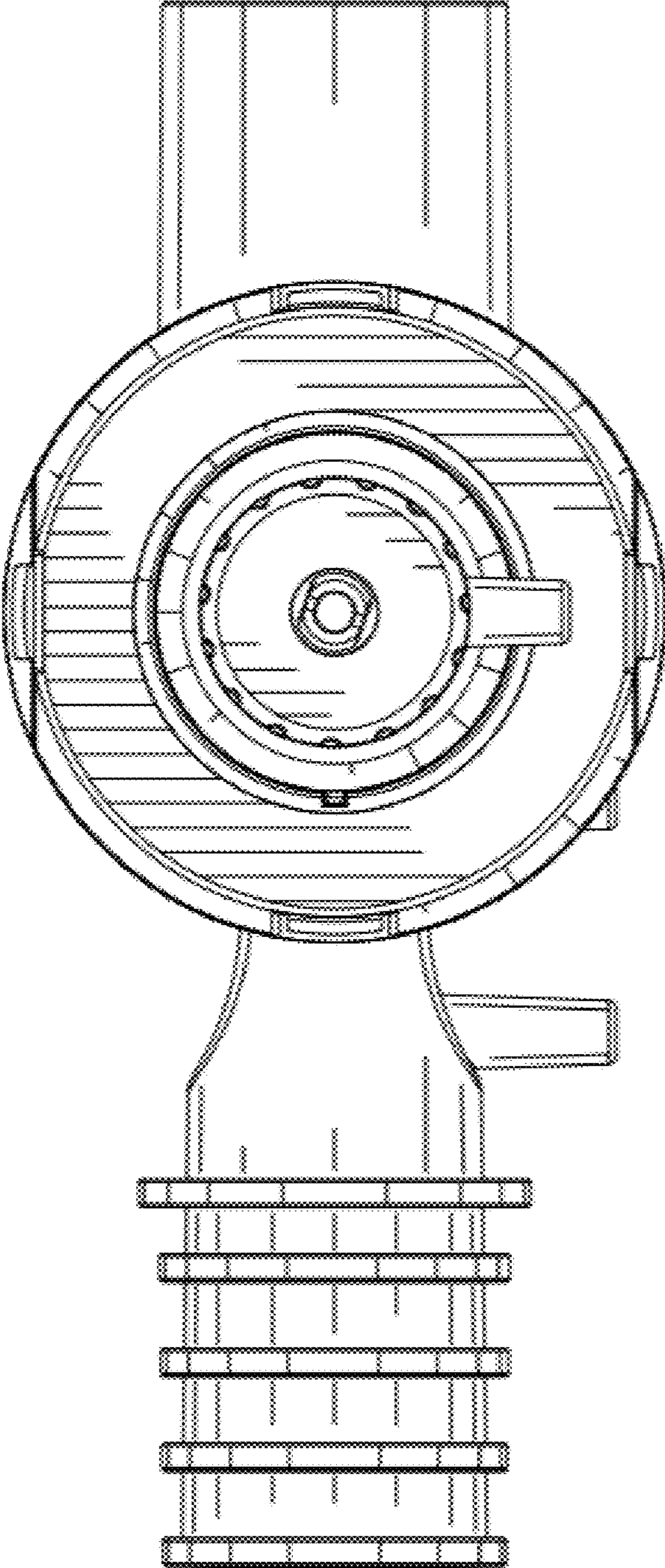


Figure 6



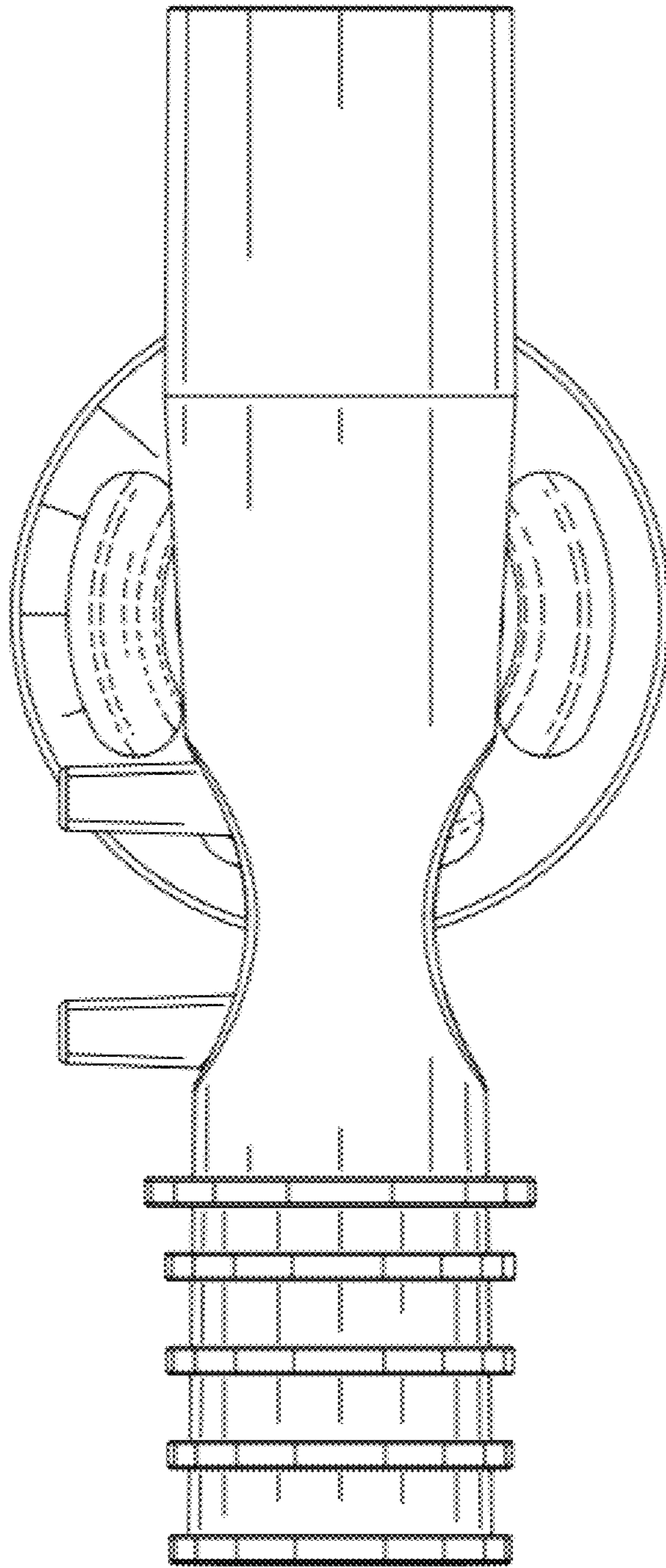


Figure 7