



US00D895786S

(12) **United States Design Patent**
McRoberts

(10) **Patent No.:** **US D895,786 S**

(45) **Date of Patent:** **** Sep. 8, 2020**

(54) **CEILING FAN MOTOR HOUSING**

(71) Applicant: **HUNTER FAN COMPANY**,
Memphis, TN (US)

(72) Inventor: **Claire Bernice McRoberts**, Memphis,
TN (US)

(73) Assignee: **Hunter Fan Company**, Memphis, TN
(US)

(**) Term: **15 Years**

(21) Appl. No.: **29/696,732**

(22) Filed: **Jul. 1, 2019**

Related U.S. Application Data

(60) Continuation of application No. 29/623,072, filed on
Oct. 23, 2017, now Pat. No. Des. 858,836, which is a
division of application No. 29/557,281, filed on Mar.
8, 2016, now Pat. No. Des. 807,488.

(51) **LOC (12) Cl.** **23-03**

(52) **U.S. Cl.**
USPC **D23/411**

(58) **Field of Classification Search**
USPC D23/335-337, 355, 370-385, 411-414;
D26/59, 67, 72, 80-89, 92, 104-105, 110,
D26/113, 118-119, 128-137;
D9/500-505
CPC F04D 25/088; F21V 33/0096
See application file for complete search history.

(56) **References Cited**

U.S. PATENT DOCUMENTS

D246,796 S 12/1977 Laymon et al.
4,073,598 A 2/1978 Mizutani et al.
D307,642 S 5/1990 DiCola
5,151,011 A 9/1992 Rezek
D420,120 S 2/2000 Evans
D427,353 S 6/2000 Ewing et al.

D483,847 S 12/2003 Tai
D519,625 S 4/2006 Young
D524,439 S 7/2006 Lung
D530,004 S 10/2006 Curtin
D536,438 S 2/2007 Curtin
D541,403 S 4/2007 Lee
D556,939 S 12/2007 Gajewski
D557,787 S 12/2007 Gajewski
D565,221 S 3/2008 Pan
D571,035 S * 6/2008 Yu D26/89
(Continued)

OTHER PUBLICATIONS

<http://ceilingfans.emerson.com/shop/en/fan/fans-s-emerson-fans/emerson-fans-browse-all/cornerstone-fan-cf1orb>, Cornerstone, CF1ORB, accessed Mar. 8, 2016.

(Continued)

Primary Examiner — Cathron C Brooks

Assistant Examiner — Sharon S Oum

(74) *Attorney, Agent, or Firm* — McGarry Bair PC

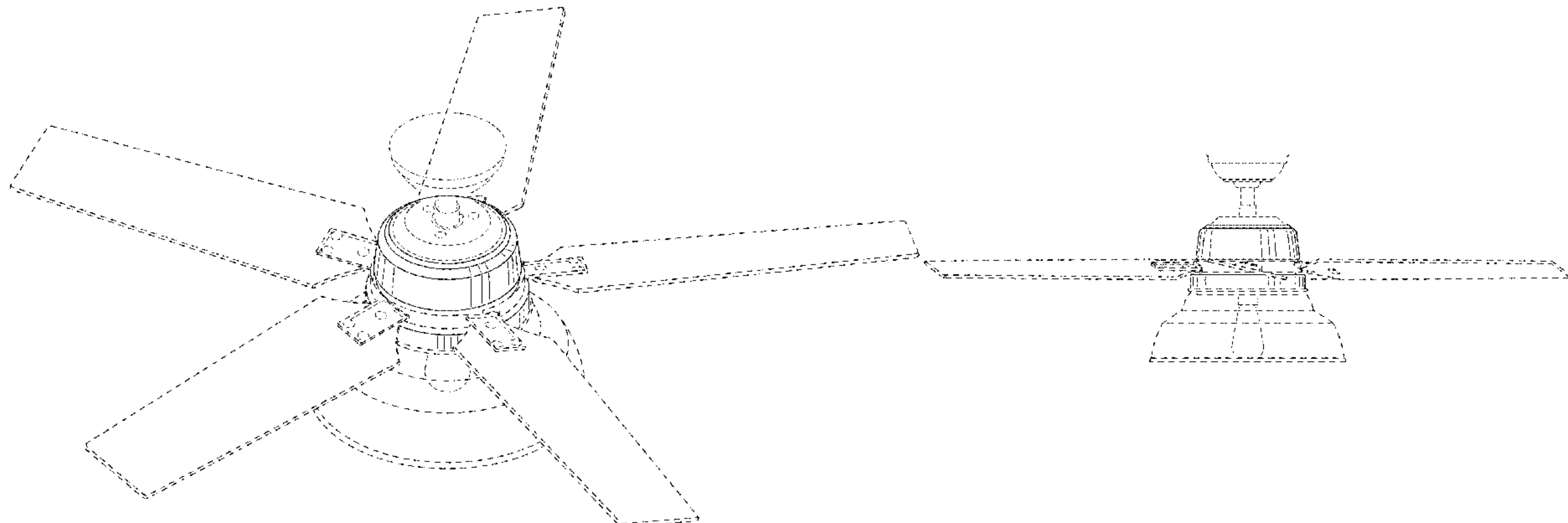
(57) **CLAIM**

The ornamental design for a ceiling fan motor housing, as shown and described.

DESCRIPTION

FIG. 1 is a top perspective view of a ceiling fan motor housing in the environment of a ceiling fan, showing my new design;
FIG. 2 is a bottom perspective view thereof;
FIG. 3 is a top view thereof;
FIG. 4 is a bottom view thereof;
FIG. 5 is a front side view thereof;
FIG. 6 is a rear side view thereof;
FIG. 7 is a right side view thereof; and,
FIG. 8 is a left side view thereof.
Portions of the ceiling fan motor housing and the ceiling fan environment shown in broken lines form no part of the claimed design.

1 Claim, 6 Drawing Sheets



(56)

References Cited

U.S. PATENT DOCUMENTS

D576,720	S	9/2008	Bucher et al.	
D632,381	S *	2/2011	Davenport	D23/377
D689,236	S	9/2013	Wang	
D702,385	S	4/2014	Wang	
D707,343	S	6/2014	Wang	
D718,486	S	11/2014	Hildebrandt	
D743,252	S	11/2015	Hansen et al.	
D743,528	S *	11/2015	Wang	D23/411
D760,368	S	6/2016	Chen	
D796,024	S *	8/2017	Holmes	D23/377
D799,662	S *	10/2017	McRoberts	D23/377
D800,289	S *	10/2017	Guthrie	D23/377
D804,630	S *	12/2017	Holmes	D23/377
D804,639	S *	12/2017	Guthrie	D23/377
D805,174	S *	12/2017	Guthrie	D23/377
D807,488	S *	1/2018	McRoberts	D23/377
D808,002	S *	1/2018	Holmes	D23/377
D822,192	S *	7/2018	Haggar	D23/411
D872,252	S *	1/2020	McRoberts	D23/377

OTHER PUBLICATIONS

<http://www.modernfan.com/products/gusto.html>, Gusto, accessed Mar. 8, 2016.

<http://www.menards.com/main/p-1444433644206-c-7487.htm?tid=-5477460810298133349>, Hunter Landsdowne 52" Cheyenne Bronze Damp-Rated Ceiling Fan, 59172, accessed Mar. 8, 2016.

Hampton Bay Marlton 52 In. Oil Rubbed Bron 17h×52w×52d Rubbed Bronze, date first available Oct. 5, 2012, amazon.com, site visited Jun. 22, 2017, Copyright © 1996-2017, Available from Internet, <https://www.amazon.com/Marlton-Oil-Rubbed-Bron-Bronze/dp/B009M9AJPQ/ref=sr_1_1?ie=UTF8&qid=1498142645&sr=8-1&keywords=hampton+bay+marlton>.

Craftmade UN520BG4, Union Bronze 52" Outdoor Ceiling Fan with Light & Wall & Remote Control, date first available Mar. 1, 2010, amazon.com, site visited Jun. 22, 2017, Copyright © 1996-2017, Available from Internet, <https://www.amazon.com/Craftmade-UN520BG4-Outdoor-Ceiling-Control/dp/B003LLA3L6/ref=Sr_1_2?ie=UTF8&qid=1498143032&sr=8-2&keywords=cra>.

Feiss 1—Light Pendant, date first available Jul. 25, 2016, amazon.com, site visited Jun. 22, 2017, Copyright © 1996-2017, Available from Internet, <https://www.amazon.com/Feiss-1-Light-Pendant/dp/B01J1ZB800/ref=sr_1_5?ie=UTF8&qid=1498066134&sr=8-5&keywords=baskin+1+light+pendant>.

Minka Lavery Ceiling Fan Minka Aire F681-Bnw, 56", date first available Mar. 5, 2016, amazon.com, site visited Jun. 22, 2017, Copyright © 1996-2017, Available from Internet, <https://www.amazon.com/Minka-Lavery-Ceiling-Aire-F681-Bnw/dp/B01FT4T2VY/ref=sr_1_1?ie=UTF8&qid=1498059115&sr=8-1&keywords=minka+aire+groton>.

* cited by examiner

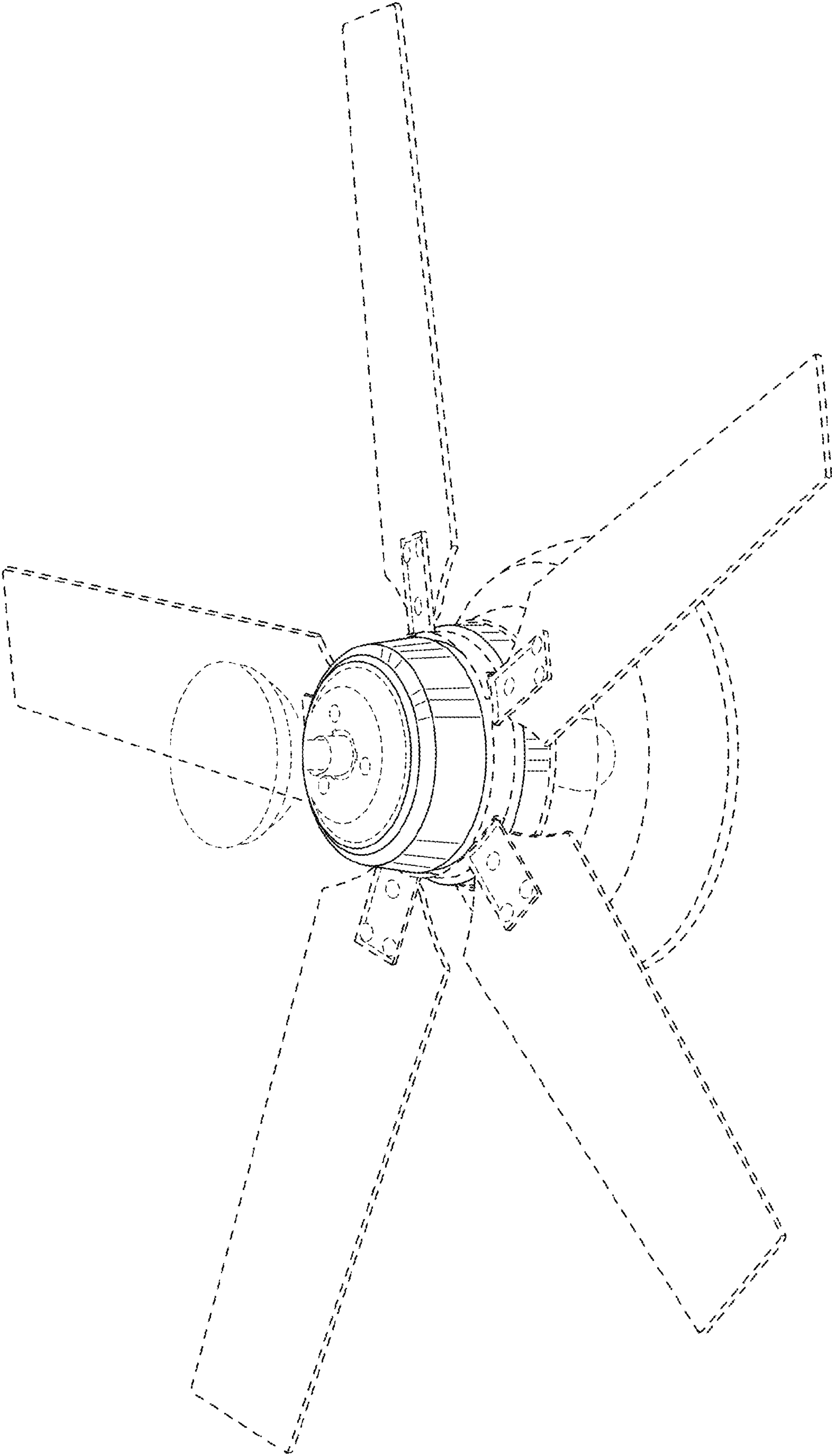


FIG.1

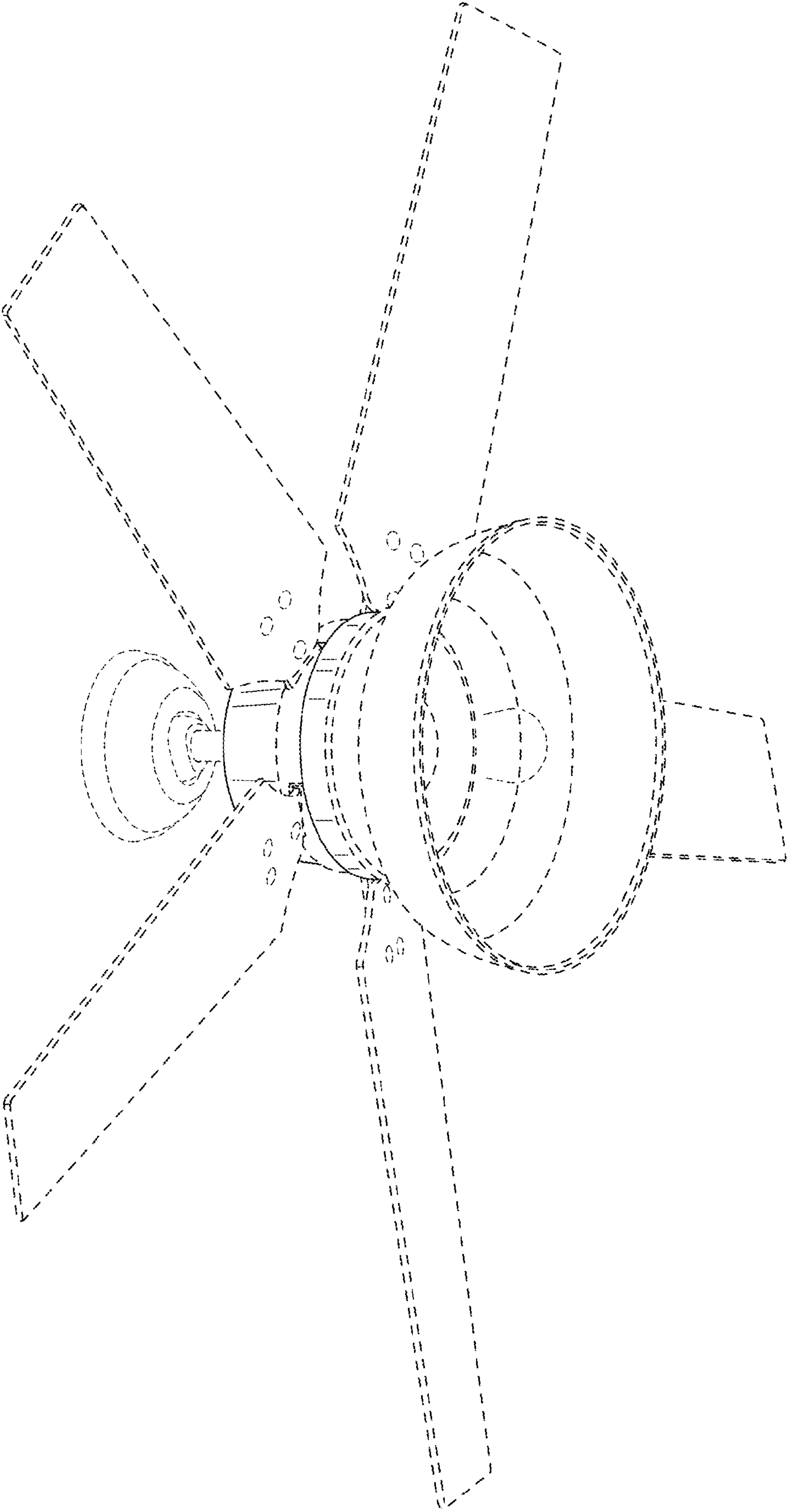


FIG.2

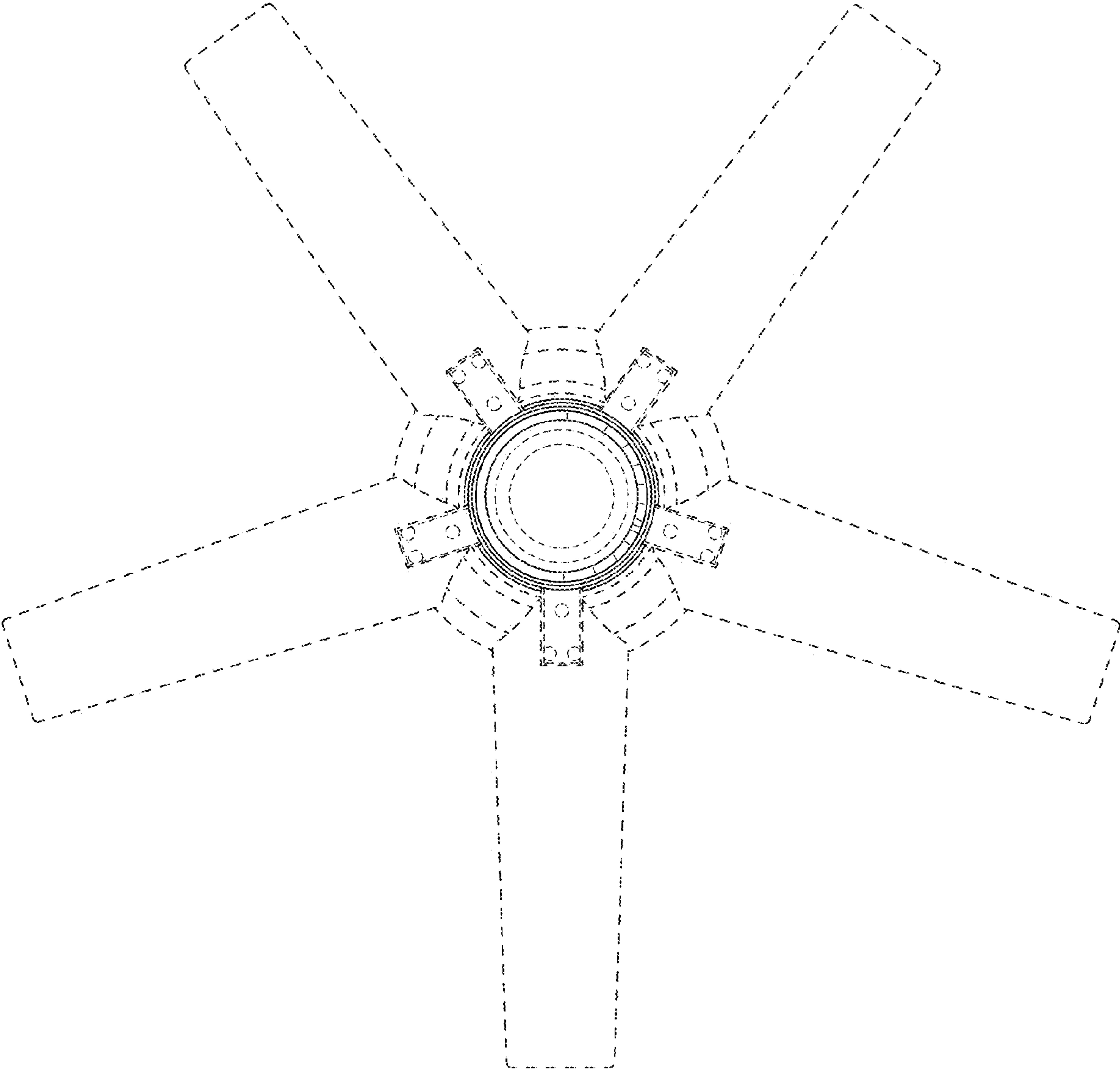


FIG. 3

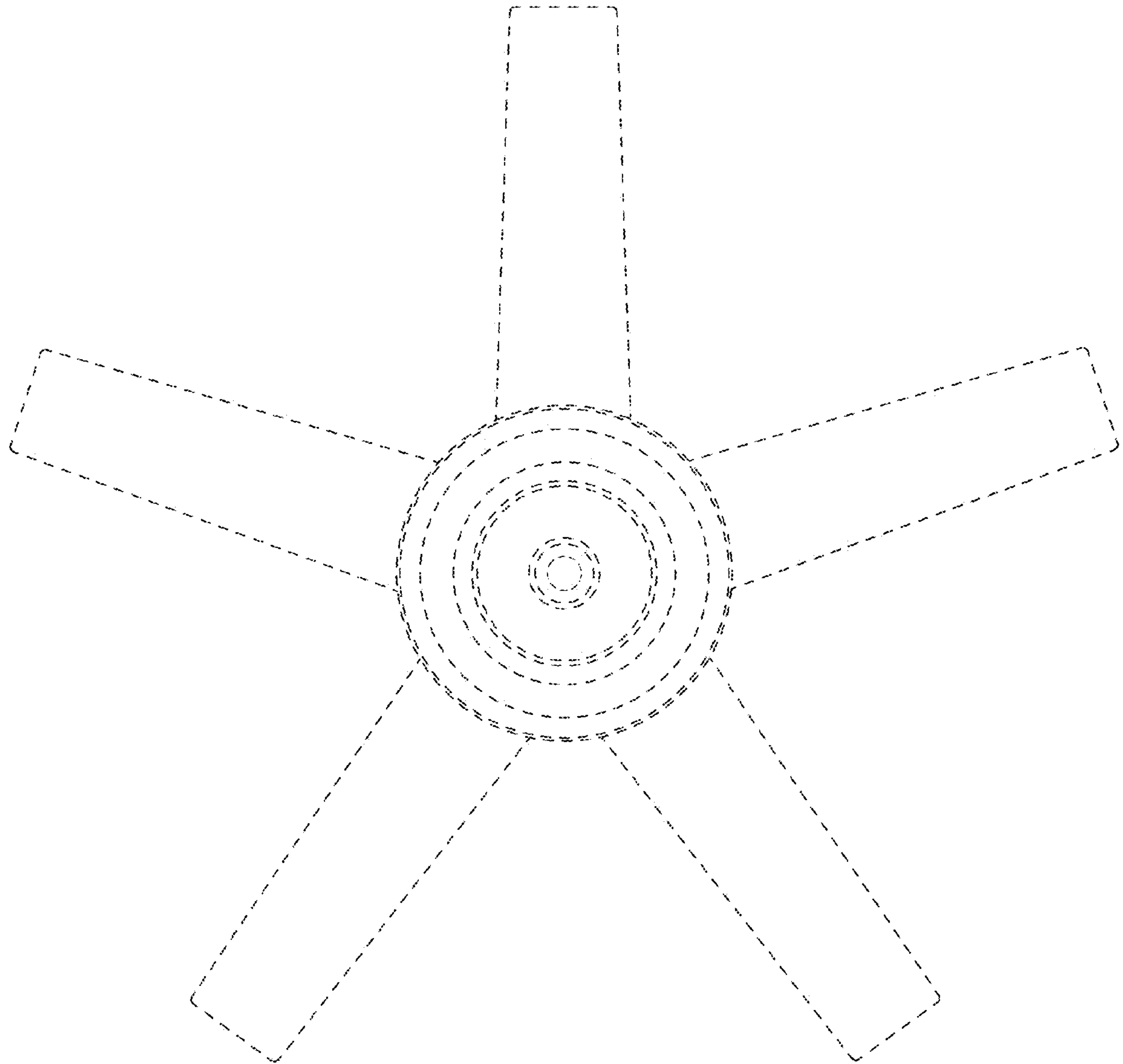


FIG. 4

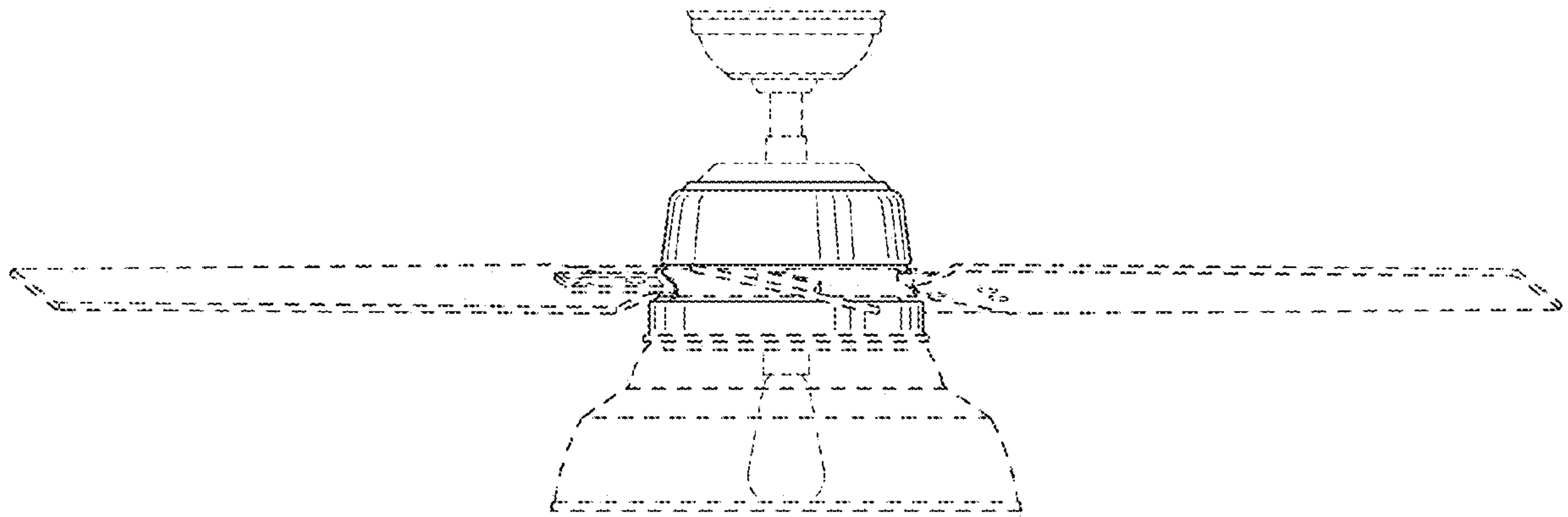


FIG. 5

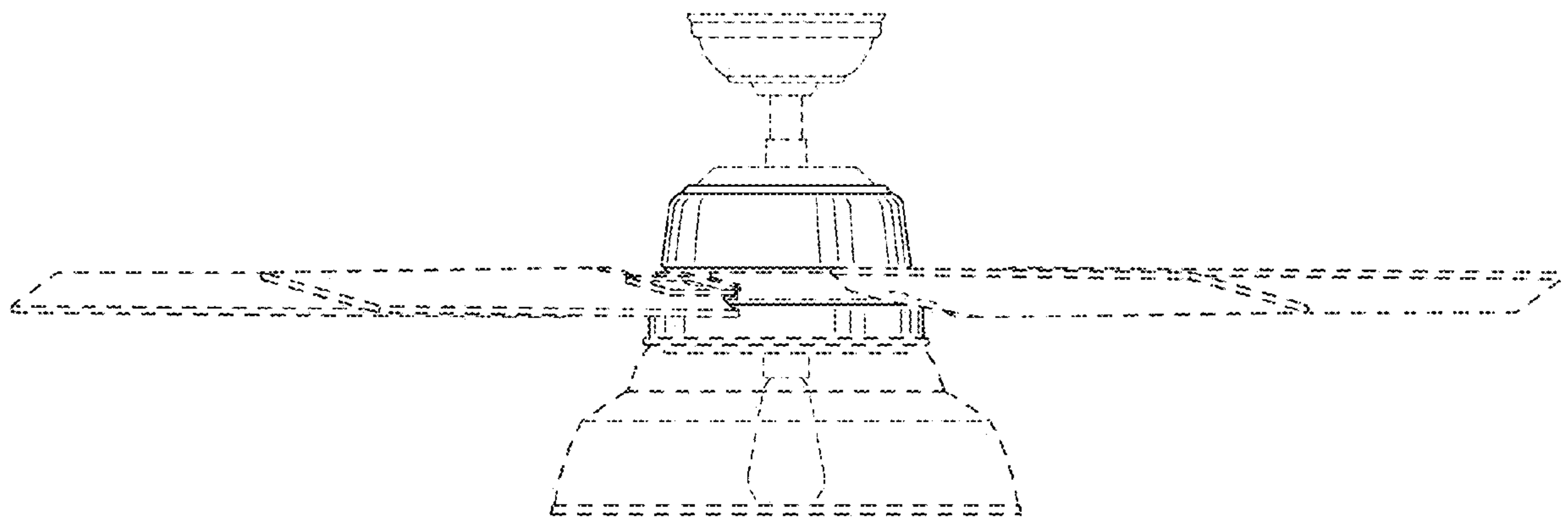


FIG. 6

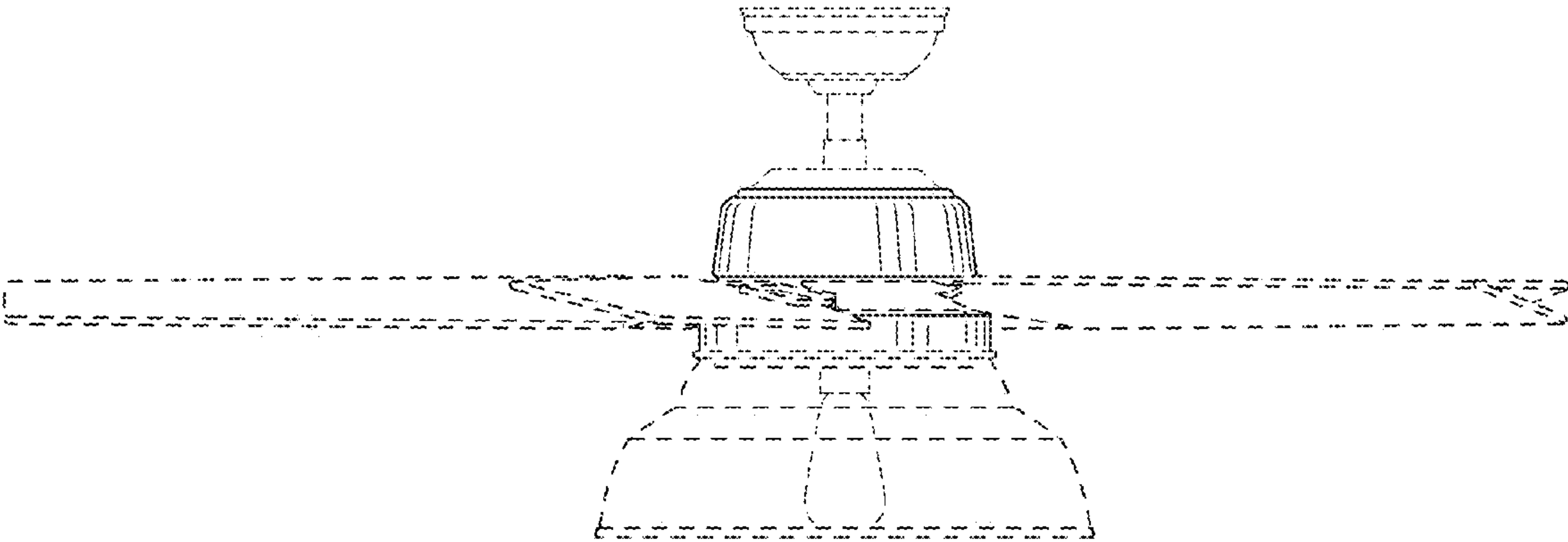


FIG. 7

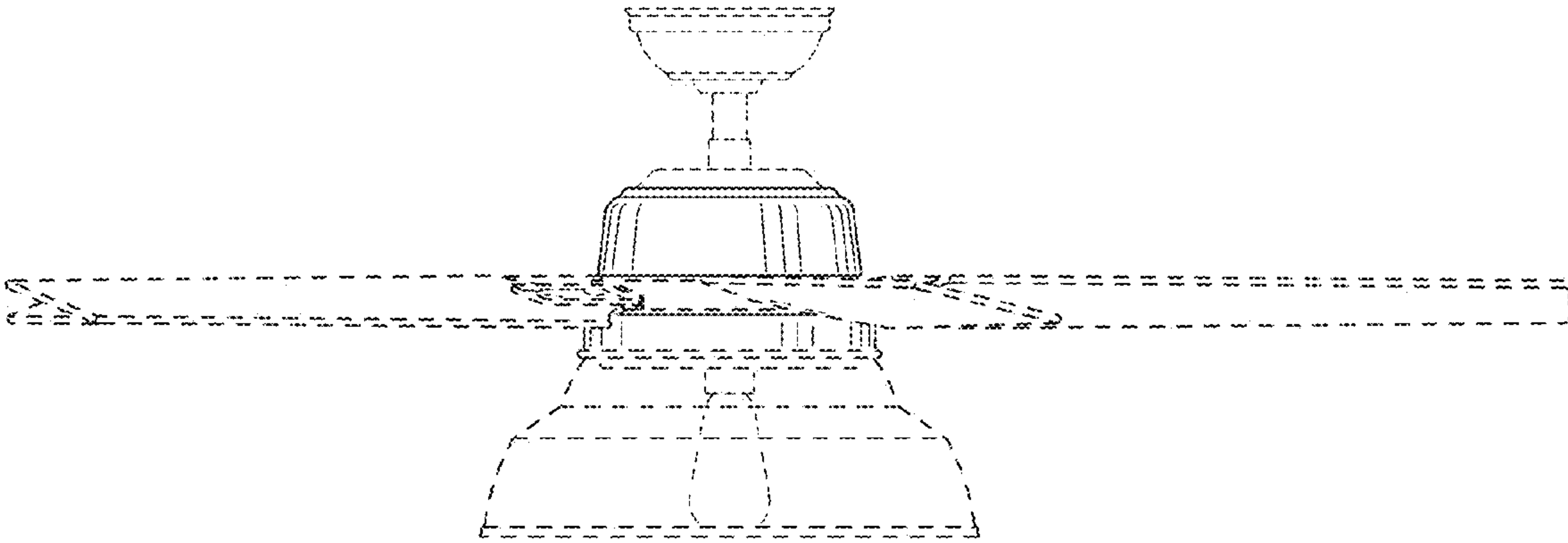


FIG. 8