



US00D895785S

(12) **United States Design Patent**
Biancuzzo

(10) **Patent No.:** **US D895,785 S**

(45) **Date of Patent:** **** Sep. 8, 2020**

- (54) **FAN BLADE BRACKET**
- (71) Applicant: **AIR COOL INDUSTRIAL CO., LTD.**, Taichung (TW)
- (72) Inventor: **Francisco Biancuzzo**, Davie, FL (US)
- (73) Assignee: **AIR COOL INDUSTRIAL CO., LTD.**, Taichung (TW)
- (**) Term: **15 Years**
- (21) Appl. No.: **29/675,857**
- (22) Filed: **Jan. 5, 2019**
- (51) **LOC (12) Cl.** **23-04**
- (52) **U.S. Cl.**
USPC **D23/411**
- (58) **Field of Classification Search**
USPC D23/411, 370, 314, 358, 363, 386, 499,
D23/377, 379; D8/349, 354, 363, 373,
D8/376, 380, 382, 383; D26/59
CPC F04D 25/08; F04D 25/088; F04D 29/322;
F04D 29/34; F04D 29/38; F04D 29/64;
F04D 29/646
See application file for complete search history.

(56) **References Cited**

U.S. PATENT DOCUMENTS

D328,951 S *	8/1992	Scotfield	D23/411
D464,870 S *	10/2002	Fraser	D8/373
D522,647 S *	6/2006	Pickett	D23/411
D522,648 S *	6/2006	Ertze	D23/411
D535,384 S *	1/2007	Pickett	D23/411
D535,739 S *	1/2007	Pan	D23/411
D536,437 S *	2/2007	Pickett	D23/411
D580,546 S *	11/2008	Smyth	D23/411
D593,194 S *	5/2009	Pan	D23/377
D594,542 S *	6/2009	Pan	D23/377
D594,544 S *	6/2009	Pan	D23/377
D607,096 S *	12/2009	Searle	D23/377

D613,847 S *	4/2010	Shurtleff	D23/411
D744,084 S *	11/2015	Wang	D23/413
D762,839 S *	8/2016	Schulzman	D23/411
D787,038 S *	5/2017	Badarello	D23/411
D788,284 S *	5/2017	Wang	D23/377
D789,510 S *	6/2017	Wang	D23/377
D799,663 S *	10/2017	Wang	D23/377
D799,665 S *	10/2017	Wang	D23/377
D799,666 S *	10/2017	Wang	D23/377
D799,683 S *	10/2017	Wang	D23/411
D799,684 S *	10/2017	Wang	D23/411
D800,290 S *	10/2017	Searle	D23/377
D800,296 S *	10/2017	Wang	D23/411
D804,639 S *	12/2017	Guthrie	D23/377
D834,700 S *	11/2018	Hidalgo	D23/411
D837,363 S *	1/2019	Schulzman	D23/411
D873,988 S *	1/2020	Biancuzzo	D23/377
D877,310 S *	3/2020	Wang	D23/377

(Continued)

Primary Examiner — Marie D. Fast Horse

(74) *Attorney, Agent, or Firm* — Pai Patent & Trademark Law Firm; Chao-Chang David Pai

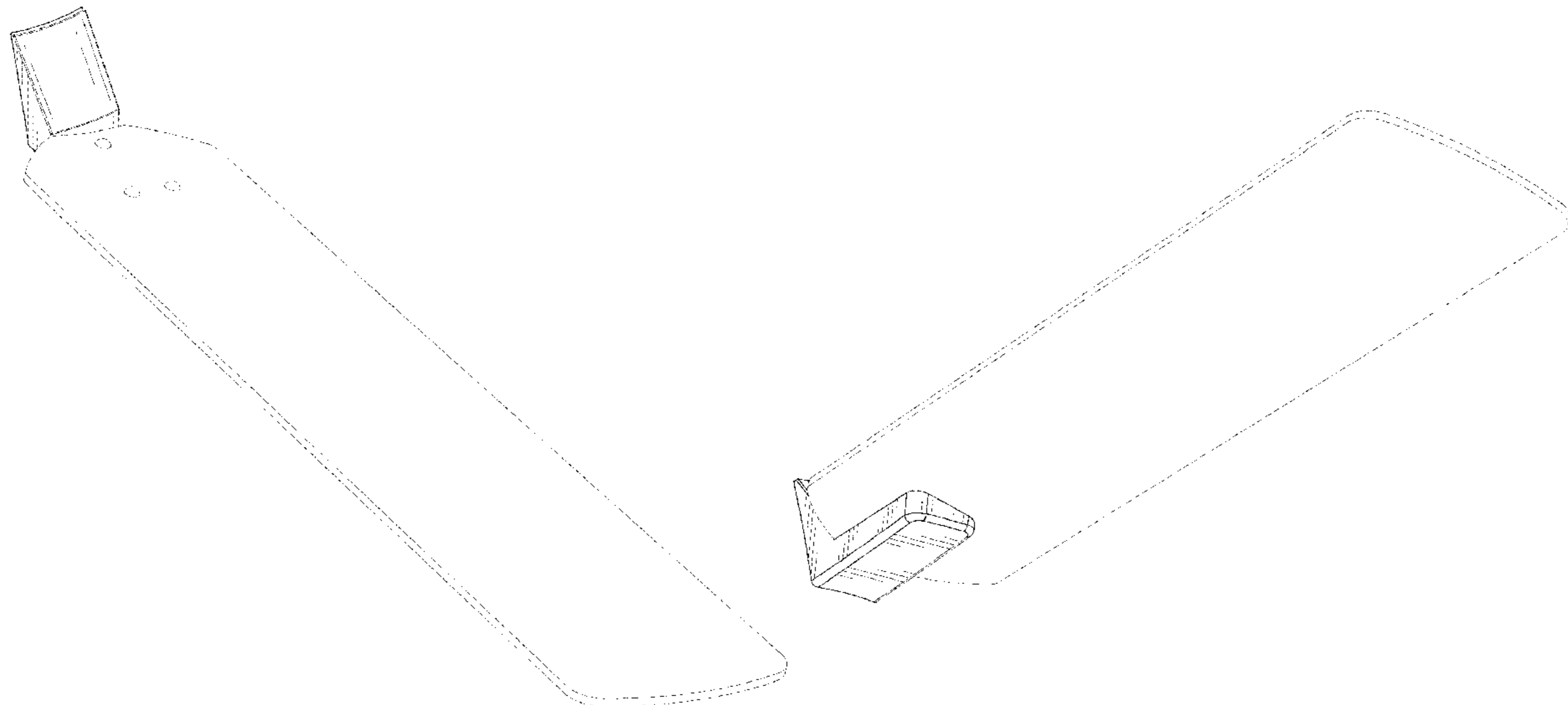
(57) **CLAIM**

The ornamental design for a fan blade bracket, as shown and described.

DESCRIPTION

FIG. 1 is a front top perspective view of a fan blade bracket showing my new design;
 FIG. 2 is a front elevational view thereof;
 FIG. 3 is a rear elevational view thereof;
 FIG. 4 is a left side elevational view thereof;
 FIG. 5 is a right side elevational view thereof;
 FIG. 6 is a top plan view thereof;
 FIG. 7 is a bottom plan view thereof; and,
 FIG. 8 is a front bottom perspective view thereof.
 The broken lines depict portions of the fan blade bracket that form no part of the claimed design.

1 Claim, 6 Drawing Sheets



(56)

References Cited

U.S. PATENT DOCUMENTS

D877,318 S * 3/2020 Holmes D23/411
2006/0263224 A1 * 11/2006 Wang F04D 25/088
416/244 R

* cited by examiner

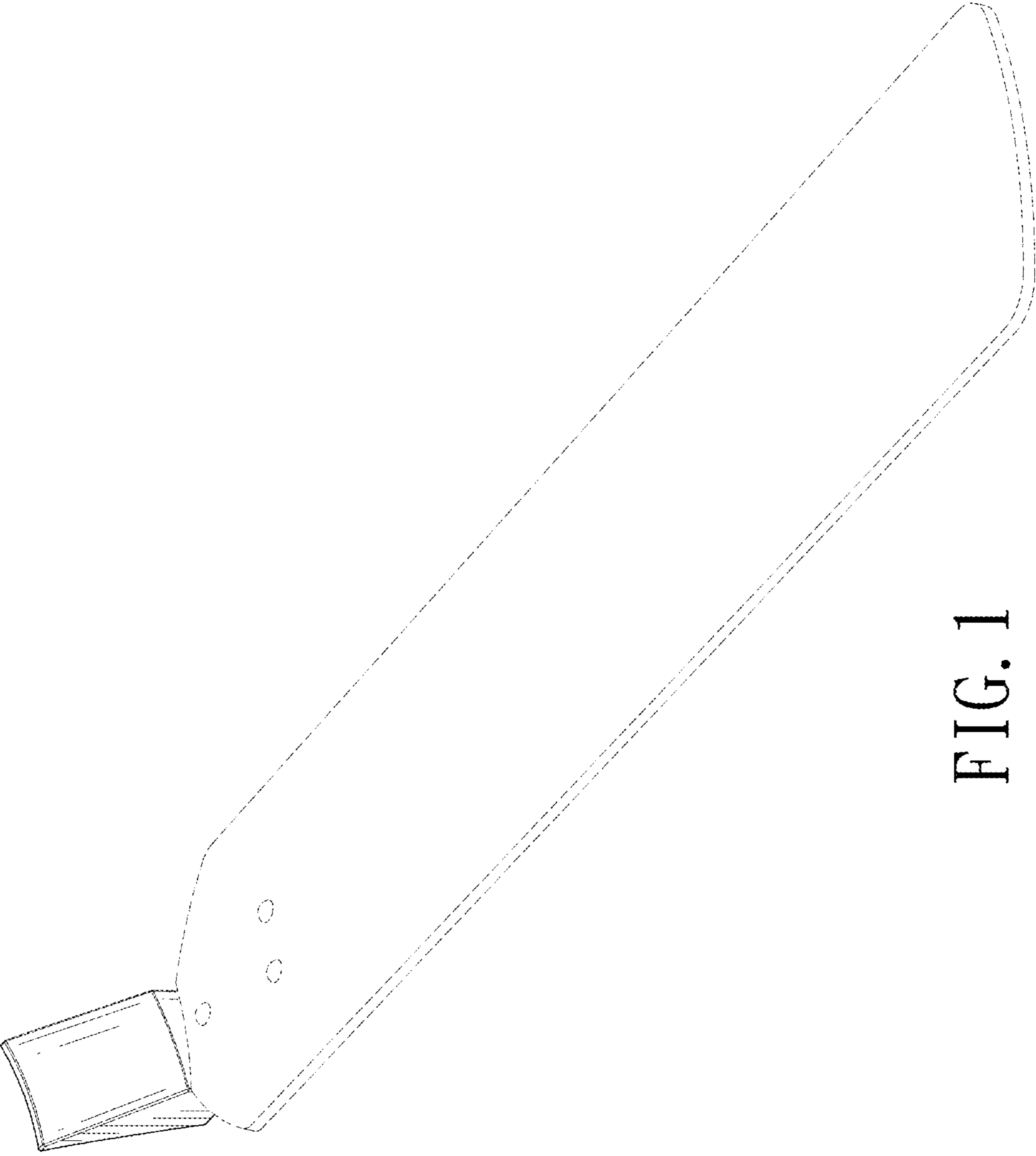


FIG. 1

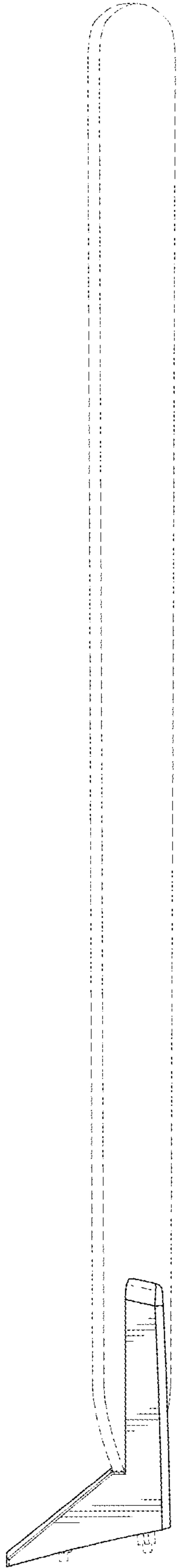


FIG. 2

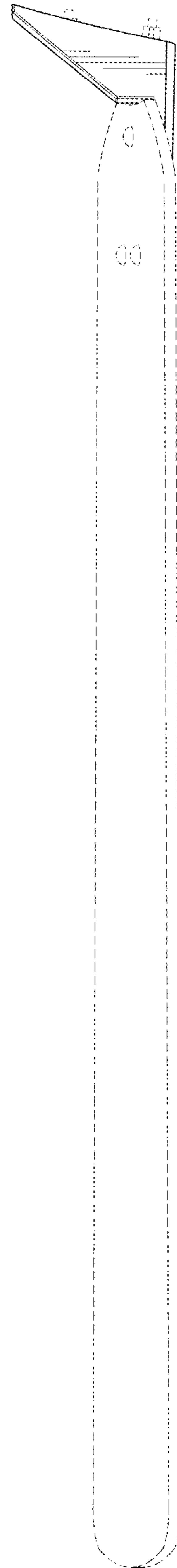


FIG. 3

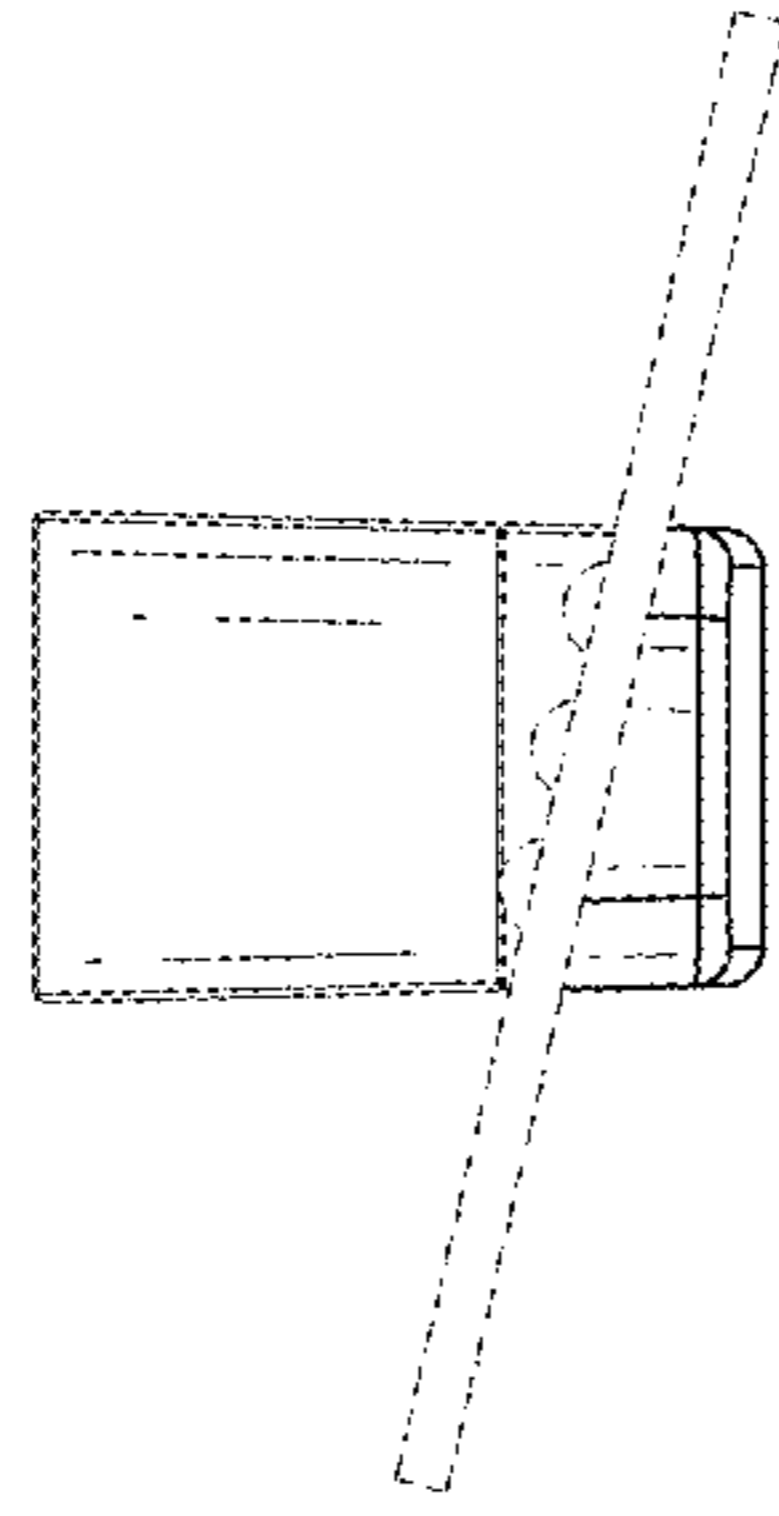


FIG. 5

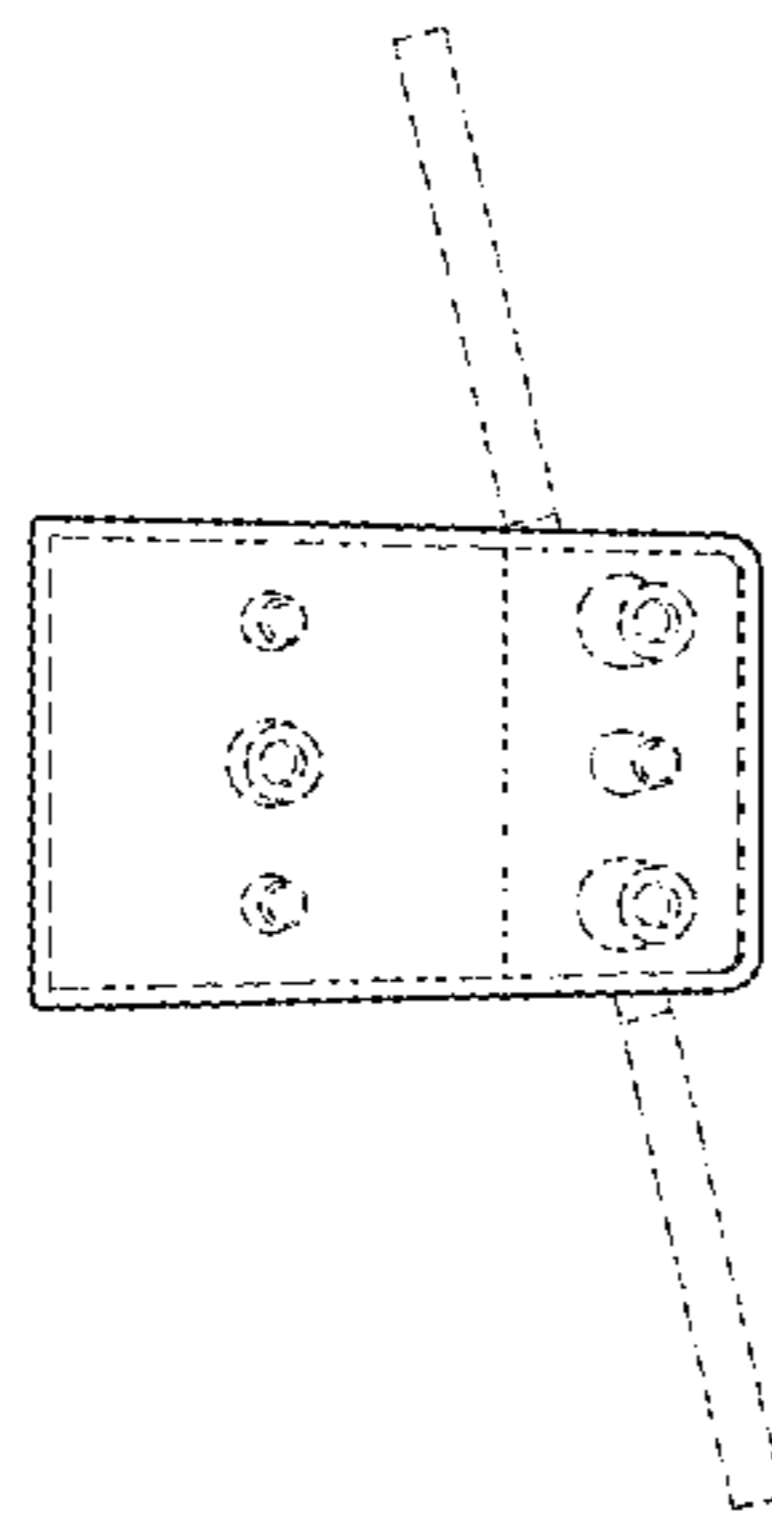


FIG. 4

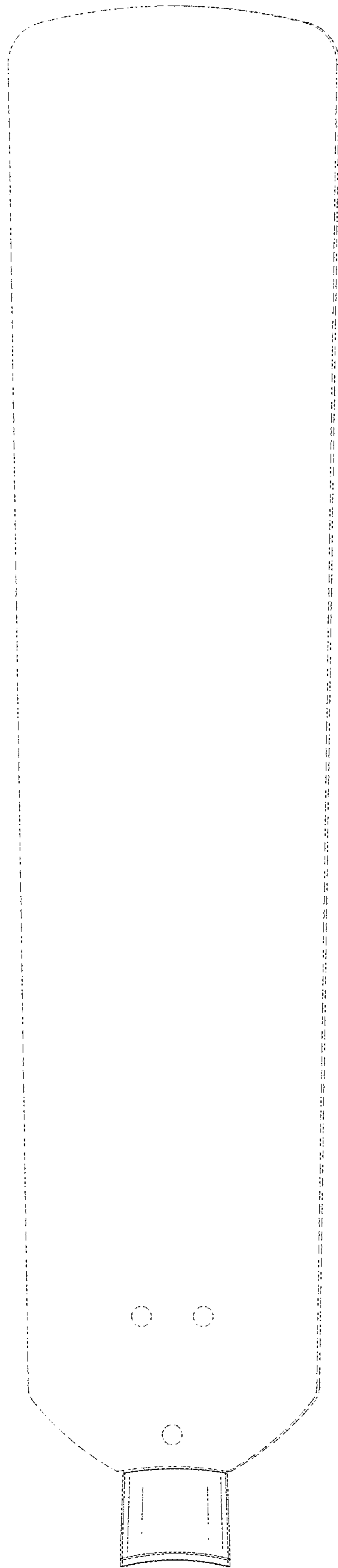


FIG. 6

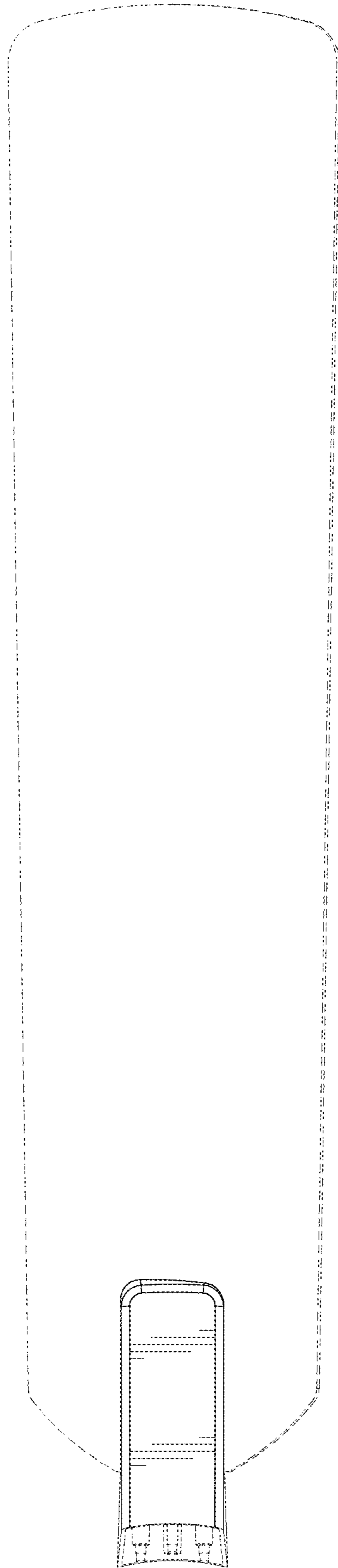


FIG. 7

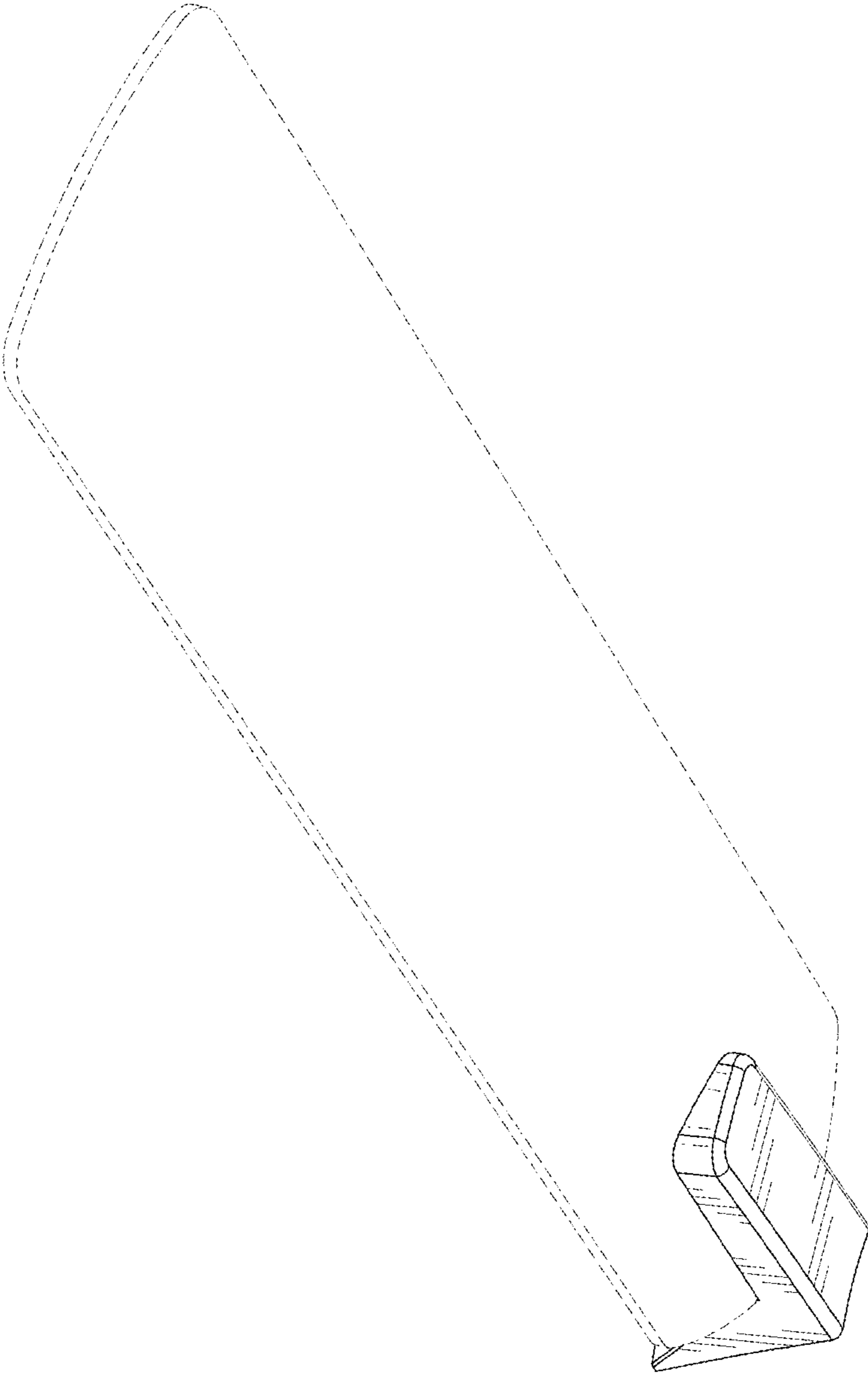


FIG. 8