

US00D895784S

(12) **United States Design Patent**
Wang

(10) **Patent No.:** **US D895,784 S**

(45) **Date of Patent:** **** Sep. 8, 2020**

- (54) **CEILING FAN**
- (71) Applicant: **AIR COOL INDUSTRIAL CO., LTD.**, Taichung (TW)
- (72) Inventor: **Cliff Wang**, Taichung (TW)
- (73) Assignee: **AIR COOL INDUSTRIAL CO., LTD.**, Taichung (TW)
- (**) Term: **15 Years**
- (21) Appl. No.: **29/670,618**
- (22) Filed: **Nov. 18, 2018**
- (51) **LOC (12) Cl.** **23-04**
- (52) **U.S. Cl.**
USPC **D23/385; D23/377**
- (58) **Field of Classification Search**
USPC D23/377, 370-376, 378-394, 411-414, D23/499; D26/51, 59, 72, 79, 92, 124
CPC F04D 25/088; F04D 29/322; F04D 29/324; F04D 29/388; F04D 29/601; F21V 21/104; F21V 33/0096
See application file for complete search history.

- D599,001 S * 8/2009 Flores D23/411
- D599,002 S * 8/2009 Flores D23/411
- D599,471 S * 9/2009 Borovicka D23/412
- D632,381 S * 2/2011 Davenport D23/377
- D698,914 S * 2/2014 Love D23/377
- D698,915 S * 2/2014 Christopher D23/377
- D699,832 S * 2/2014 Lim D23/379
- D700,311 S * 2/2014 Wang D23/385
- D706,406 S * 6/2014 Wang D23/385
- D771,787 S * 11/2016 Wang D23/380
- D779,049 S * 2/2017 Wang D23/385
- D799,667 S * 10/2017 Wang D23/385
- D799,680 S * 10/2017 Wang D23/385
- D803,384 S * 11/2017 Wang D23/411
- D804,645 S * 12/2017 Habig D23/377
- 9,845,811 B1 * 12/2017 Wang F16M 13/02
- D808,509 S * 1/2018 Gajewski D26/59
- D808,510 S * 1/2018 Gajewski D26/59
- D811,578 S * 2/2018 Badarello D23/411

(Continued)

Primary Examiner — Marie D. Fast Horse

(74) *Attorney, Agent, or Firm* — Pai Patent & Trademark Law Firm; Chao-Chang David Pai

(57) **CLAIM**

The ornamental design for a ceiling fan, as shown and described.

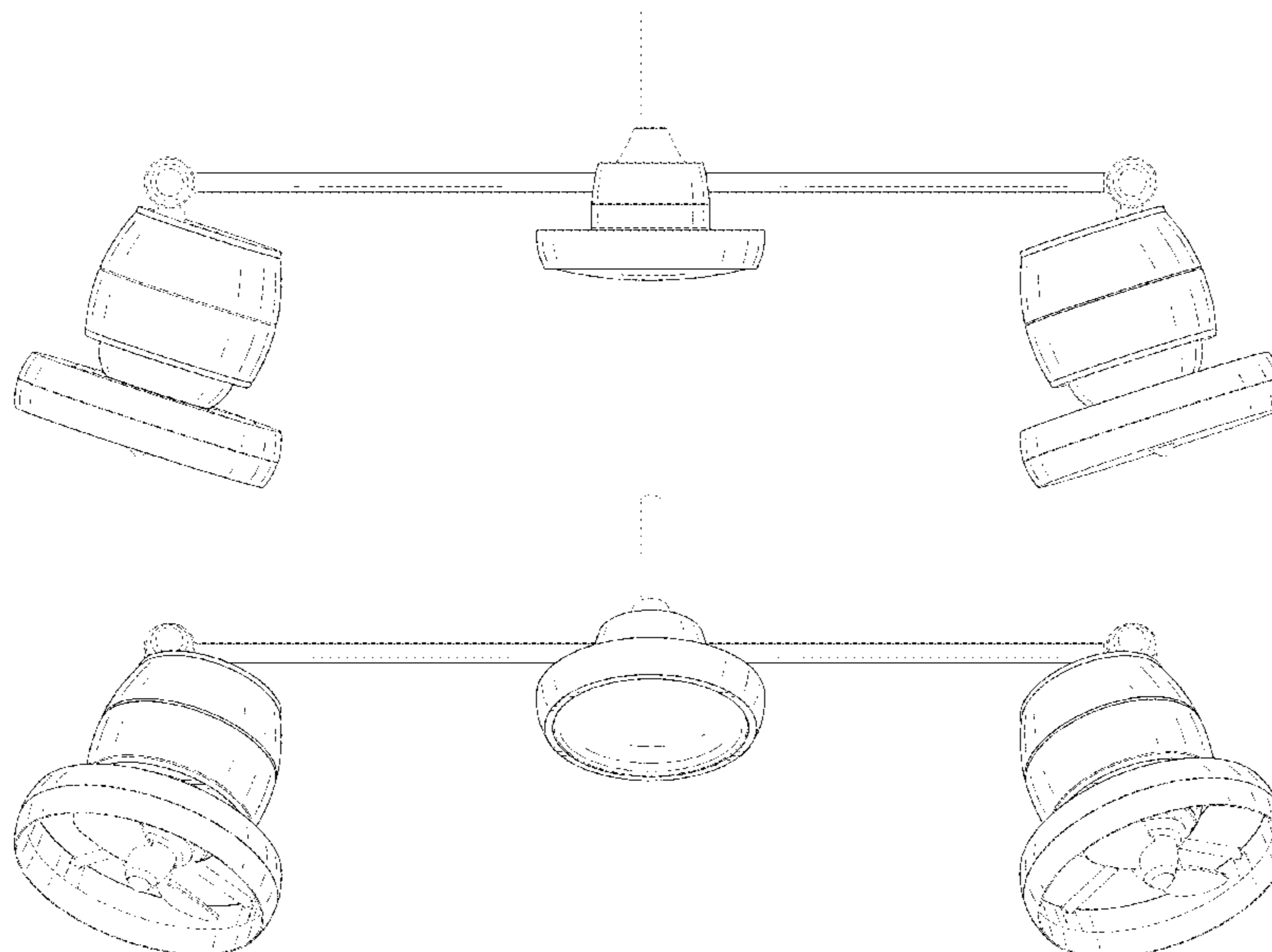
DESCRIPTION

FIG. 1 is a front top perspective view of a ceiling fan showing my new design;
 FIG. 2 is a front elevational view thereof;
 FIG. 3 is a rear elevational view thereof;
 FIG. 4 is a left side elevational view thereof;
 FIG. 5 is a right side elevational view thereof;
 FIG. 6 is a top plan view thereof;
 FIG. 7 is a bottom plan view thereof; and,
 FIG. 8 is a front bottom perspective view thereof.
 The broken lines depict portions of the ceiling fan that form no part of the claimed design.

1 Claim, 7 Drawing Sheets

(56) **References Cited**
U.S. PATENT DOCUMENTS

- D195,287 S * 5/1963 Downing D23/370
- D417,269 S * 11/1999 Thomas, Jr. D26/59
- D426,879 S * 6/2000 Gajewski D23/377
- 6,364,638 B1 * 4/2002 Liu F04D 25/105
416/5
- D483,108 S * 12/2003 Frampton D23/411
- D489,443 S * 5/2004 Gajewski D23/377
- D489,809 S * 5/2004 Gajewski D23/411
- D490,146 S * 5/2004 Gajewski D23/377
- D517,197 S * 3/2006 Pickett D23/411
- D519,204 S * 4/2006 Spina D23/411
- D527,451 S * 8/2006 Glasbrenner D23/385
- D582,028 S * 12/2008 Lai D23/377



(56)

References Cited

U.S. PATENT DOCUMENTS

D825,736 S * 8/2018 Badarello D23/411
D848,597 S * 5/2019 Gajewski D23/370
D848,598 S * 5/2019 Gajewski D23/385
D848,601 S * 5/2019 Gajewski D26/59
D851,236 S * 6/2019 Gajewski D23/411
D870,876 S * 12/2019 Searle D23/411
D873,407 S * 1/2020 Wang D23/377
D877,311 S * 3/2020 Wang D23/377
D877,313 S * 3/2020 Wang D23/377
D877,316 S * 3/2020 Wang D26/59
D877,317 S * 3/2020 Wang D26/59
D882,060 S * 4/2020 Wang D23/382
D886,275 S * 6/2020 Avedon D23/385
2003/0231962 A1 * 12/2003 Gajewski F04D 25/088
417/53
2007/0166167 A1 * 7/2007 Fan F04D 25/088
416/244 R
2008/0296459 A1 * 12/2008 Frampton F04D 25/088
248/343
2008/0298961 A1 * 12/2008 Frampton F04D 25/088
415/213.1
2008/0298968 A1 * 12/2008 Frampton F04D 25/088
416/170 R
2013/0189082 A1 * 7/2013 Kan F04D 25/088
415/143
2020/0088205 A1 * 3/2020 Wang F04D 25/088

* cited by examiner

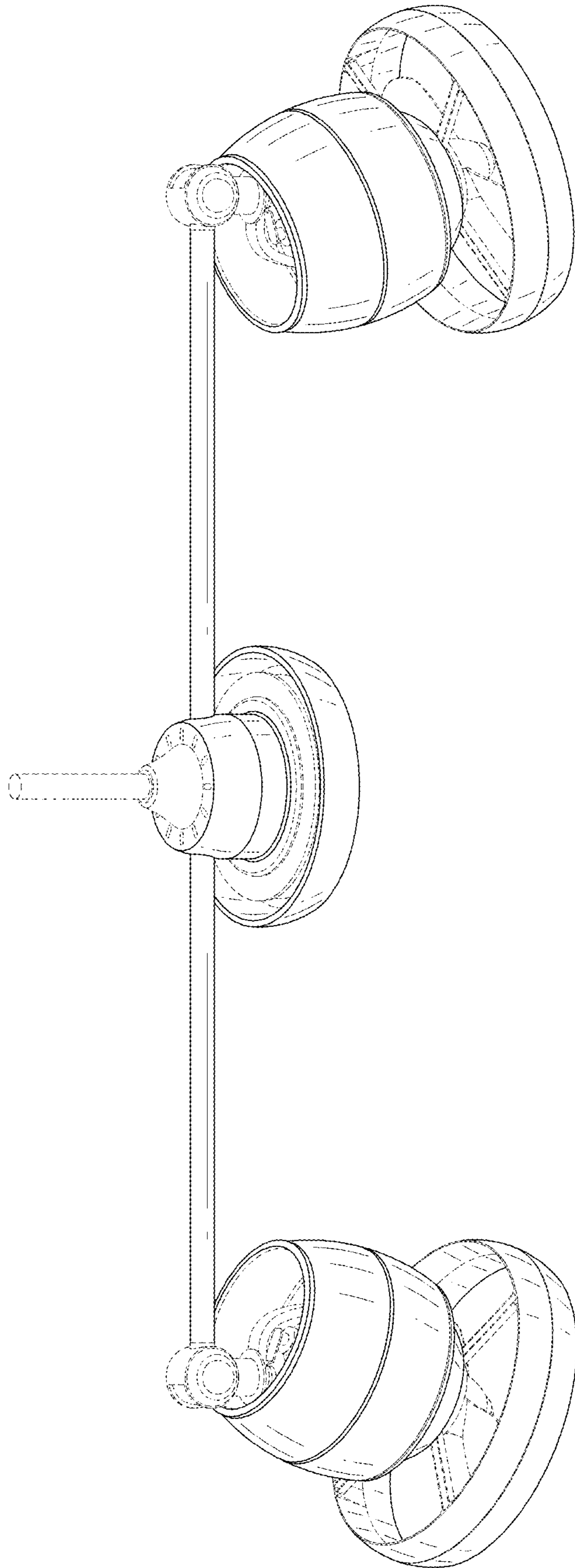


FIG. 1

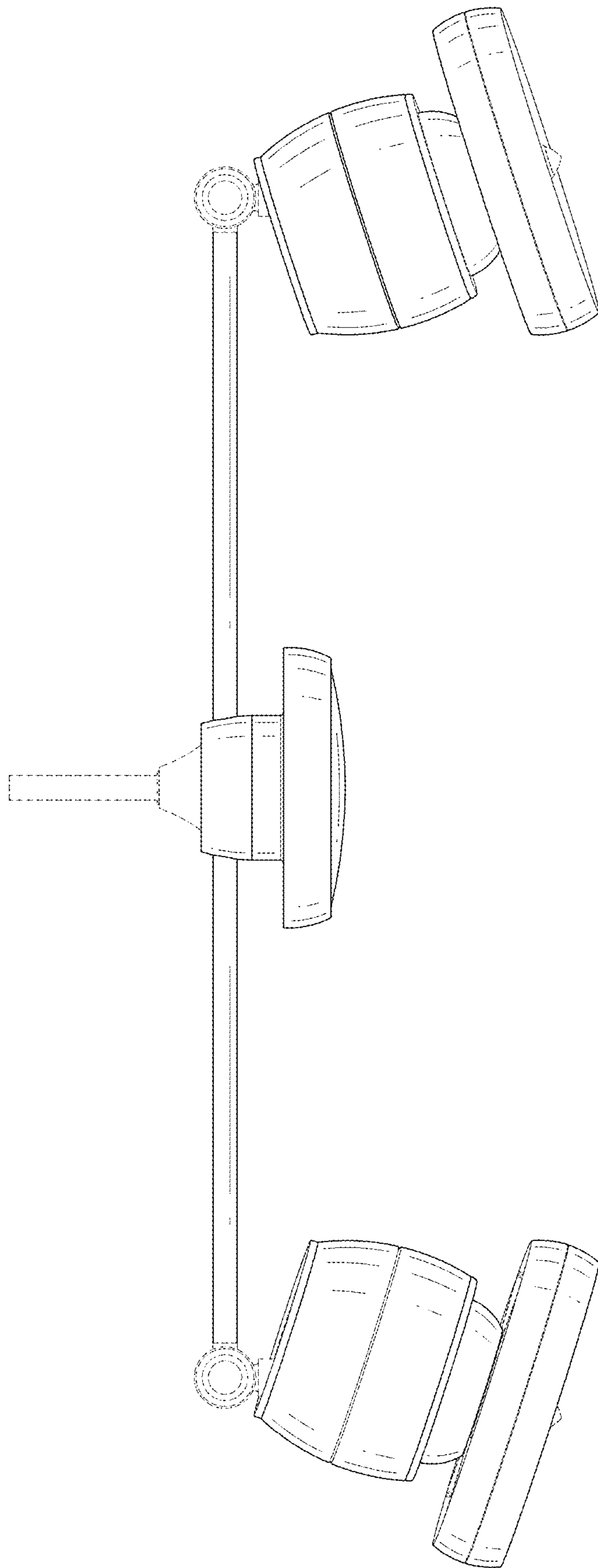


FIG. 2

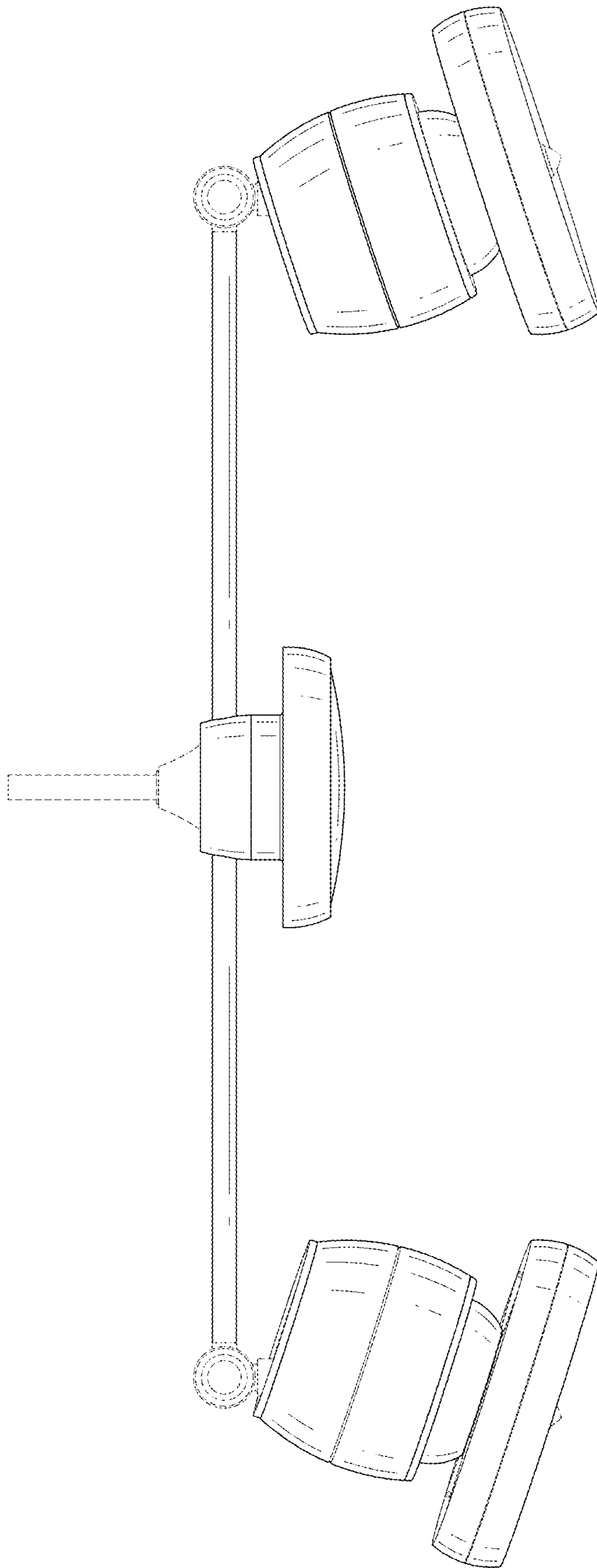


FIG. 3

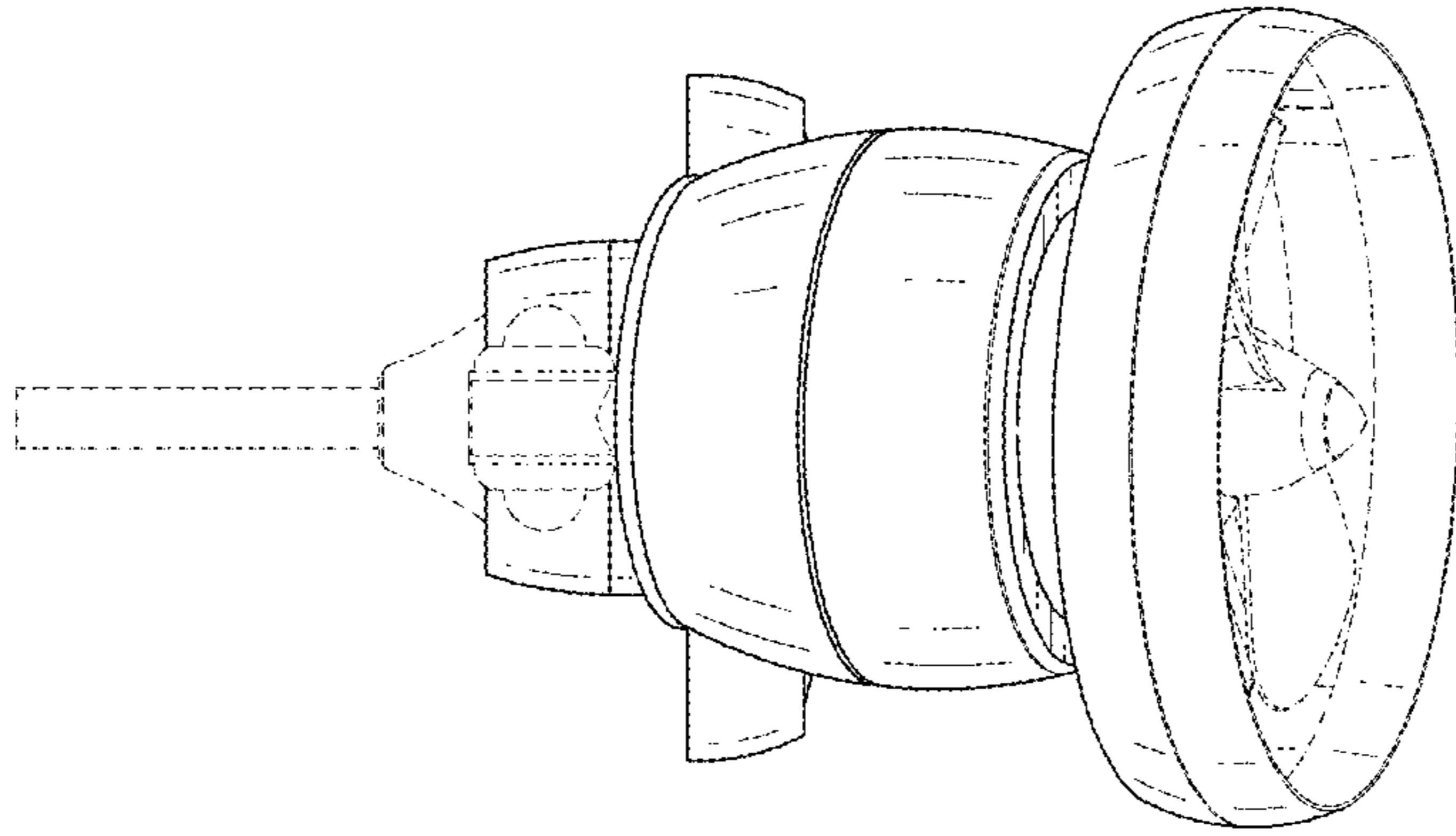


FIG. 5

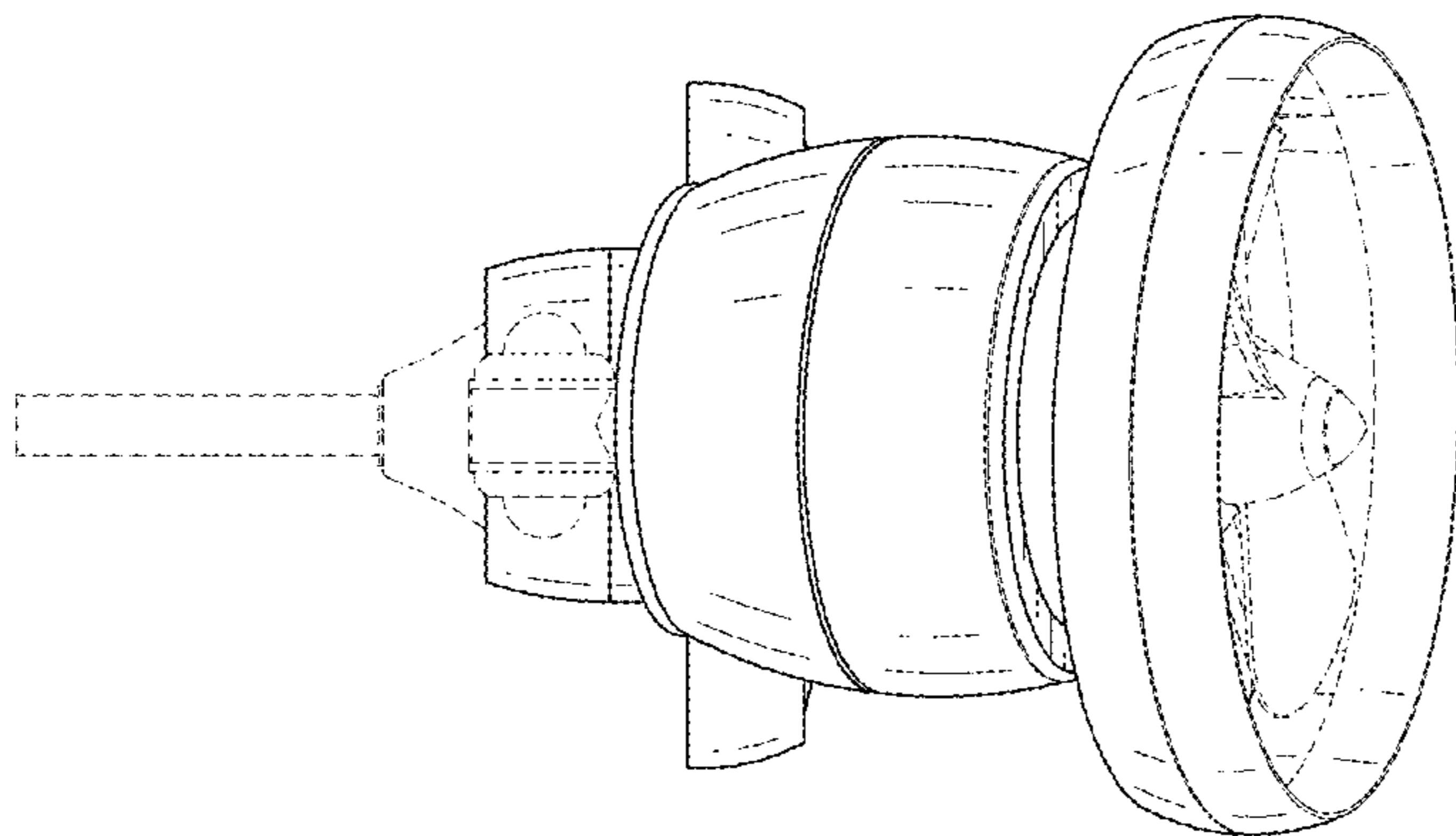


FIG. 4

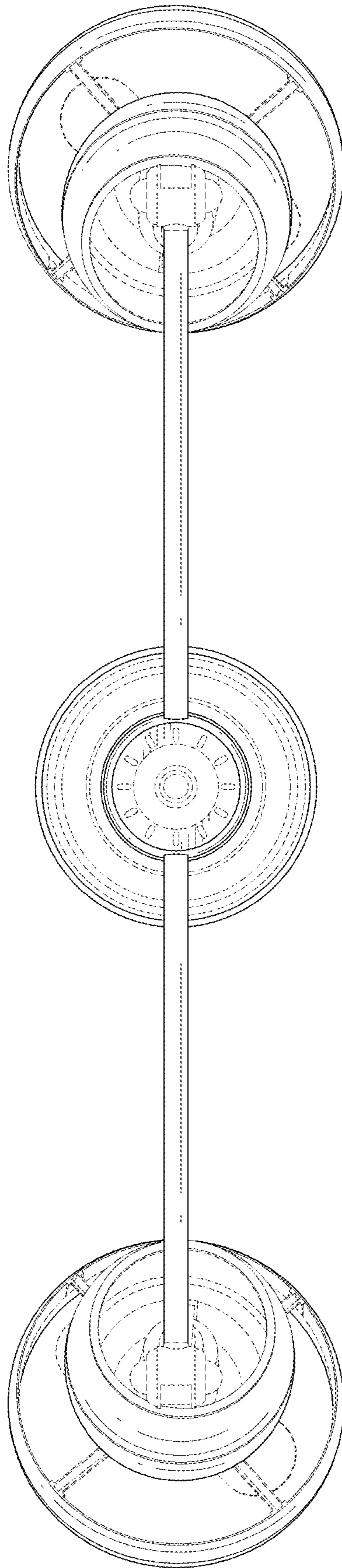


FIG. 6

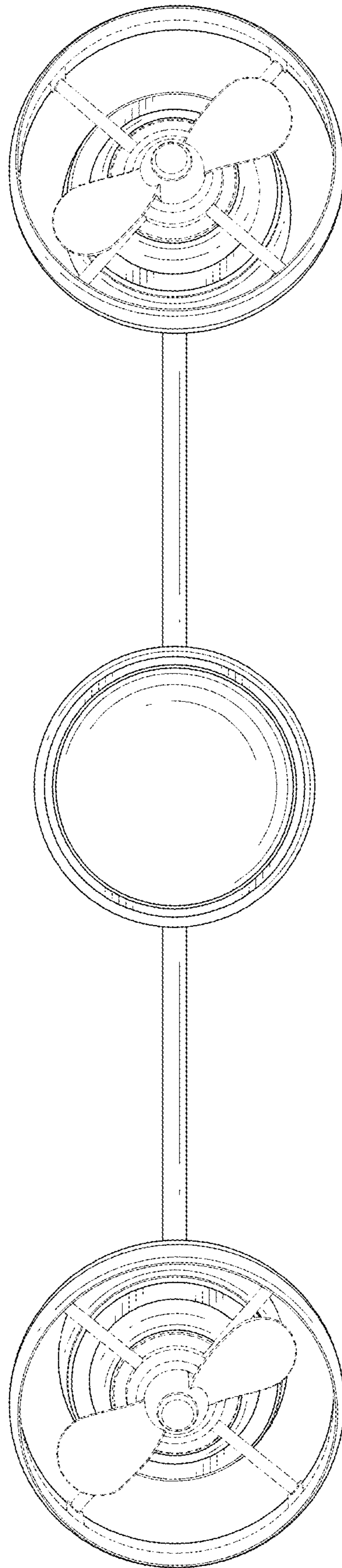


FIG. 7

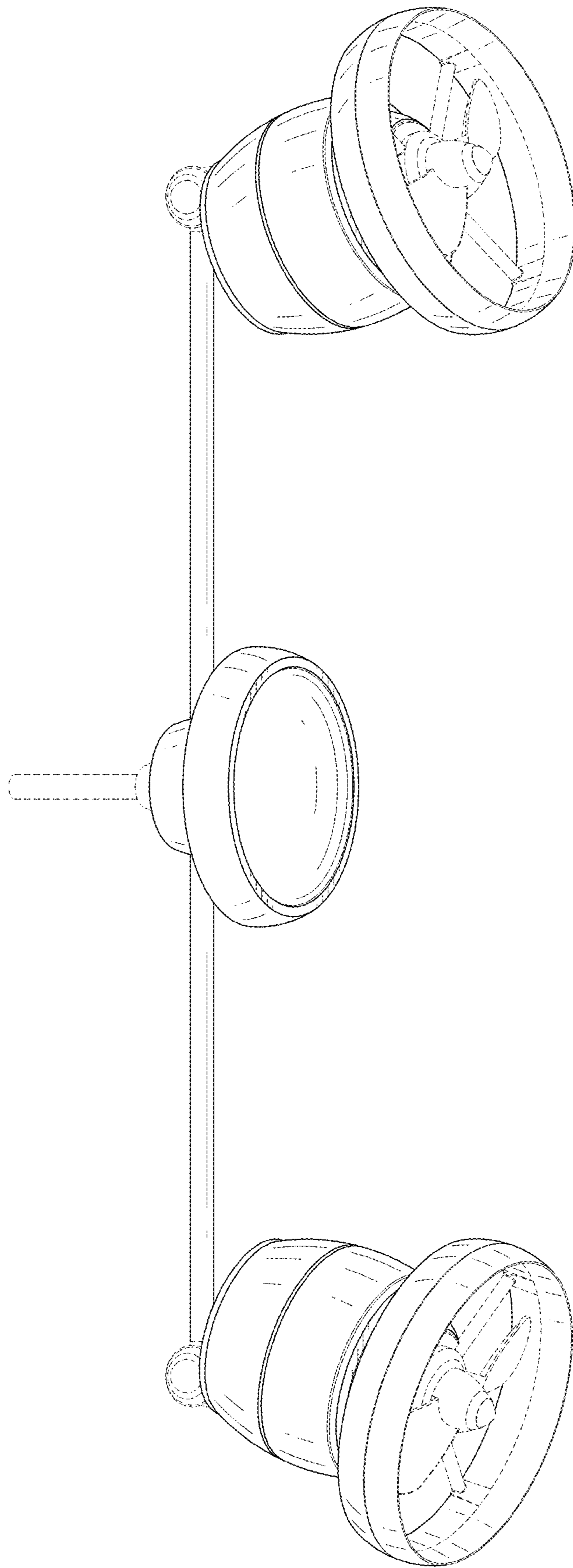


FIG. 8