



US00D895780S

(12) **United States Design Patent**
Israel et al.

(10) **Patent No.:** **US D895,780 S**

(45) **Date of Patent:** **** Sep. 8, 2020**

(54) **HEATER**

(71) Applicant: **Vornado Air LLC**, Andover, KS (US)

(72) Inventors: **Gary P. Israel**, Andover, KS (US);
Timothy M. Holub, Cheney, KS (US)

(73) Assignee: **Vornado Air, LLC**, Andover, KS (US)

(**) Term: **15 Years**

(21) Appl. No.: **29/646,253**

(22) Filed: **May 2, 2018**

(51) **LOC (12) Cl.** **23-03**

(52) **U.S. Cl.**
USPC **D23/335**

(58) **Field of Classification Search**
USPC D23/332-337, 370-385, 314, 317, 342,
D23/355, 356, 359, 362, 364, 366
CPC ... F24H 3/002; F24H 3/00; F24H 3/02; F24H
3/0417; F24H 3/0411; F24H 3/087; F24H
3/08

See application file for complete search history.

(56) **References Cited**

U.S. PATENT DOCUMENTS

D418,911 S * 1/2000 Birdsell D23/335
D420,437 S * 2/2000 Rossman D23/335

D441,065 S *	4/2001	Ediger	D23/328
D483,102 S *	12/2003	Ching	D23/335
D578,189 S *	10/2008	Gao	D23/317
D597,640 S *	8/2009	Israel	D23/335
D597,641 S *	8/2009	Israel	D23/335
D636,858 S *	4/2011	Ediger	D23/335
D654,578 S *	2/2012	Ediger	D23/342
D761,944 S *	7/2016	Ediger	D23/332
D780,301 S *	2/2017	Cartwright	D23/332
D818,568 S *	5/2018	Ediger	D23/335
D822,805 S *	7/2018	Ediger	D23/332

* cited by examiner

Primary Examiner — Cathron C Brooks

Assistant Examiner — Sharon S Oum

(57) **CLAIM**

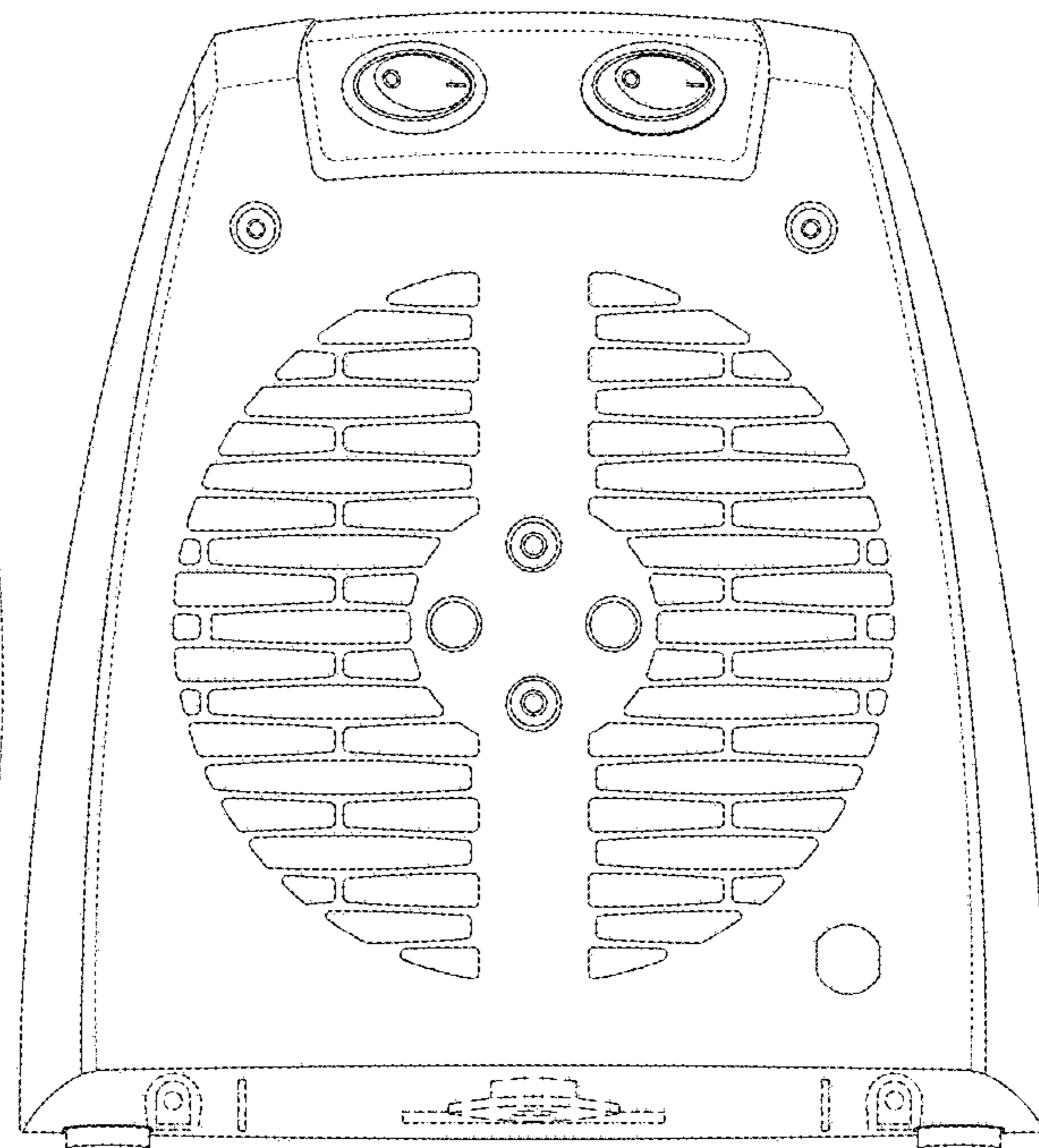
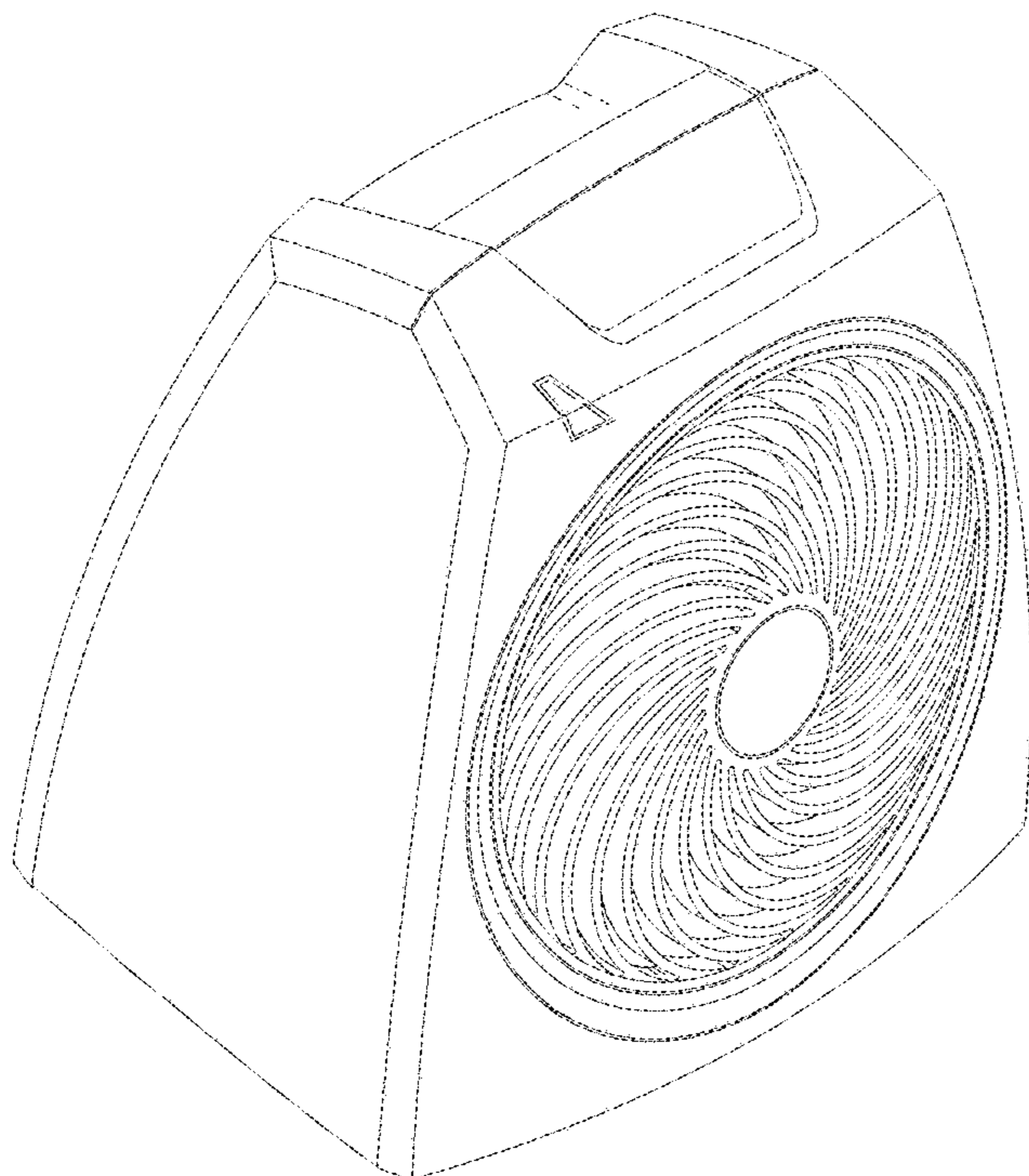
The ornamental design for a heater, as shown and described.

DESCRIPTION

FIG. 1 is a right, front, top perspective view of a heater in accordance with the present invention;
FIG. 2 is a front elevation view thereof;
FIG. 3 is a rear elevation view thereof;
FIG. 4 is a left-side elevation view thereof;
FIG. 5 is a top view thereof; and,
FIG. 6 is a bottom view thereof.

The broken lines illustrate portions of the heater that form no part of the claimed design.

1 Claim, 6 Drawing Sheets



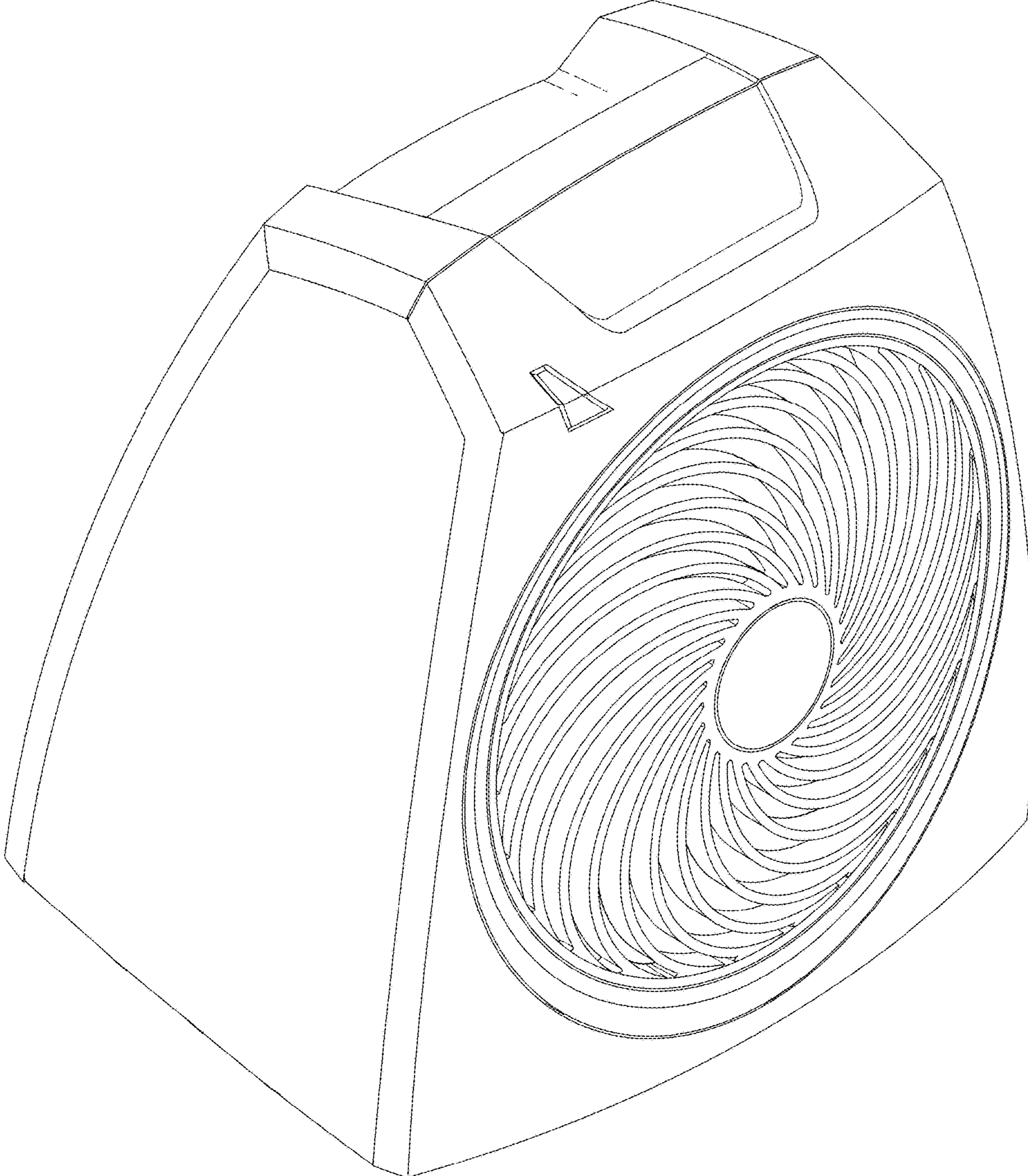


FIG. 1

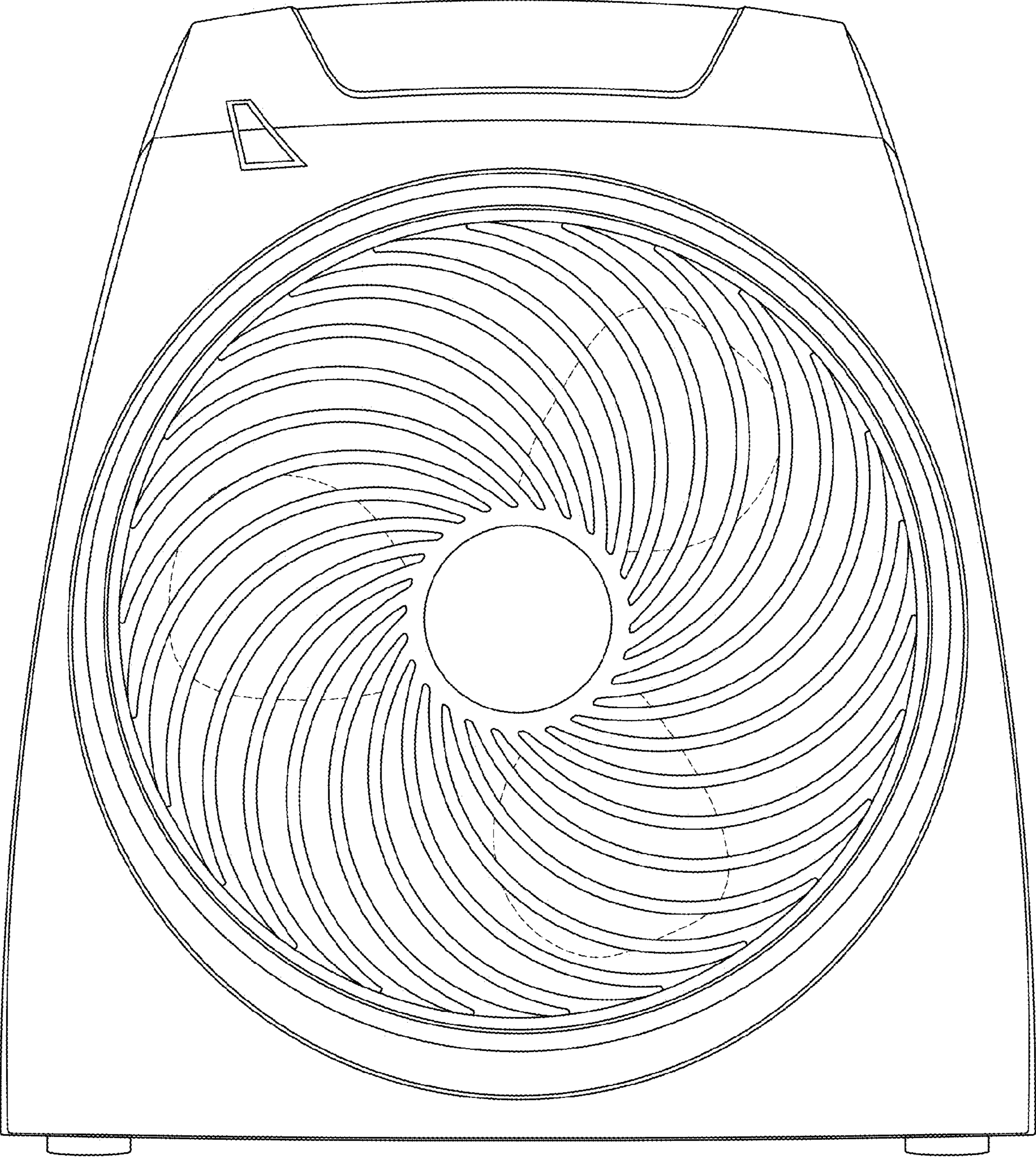


FIG. 2

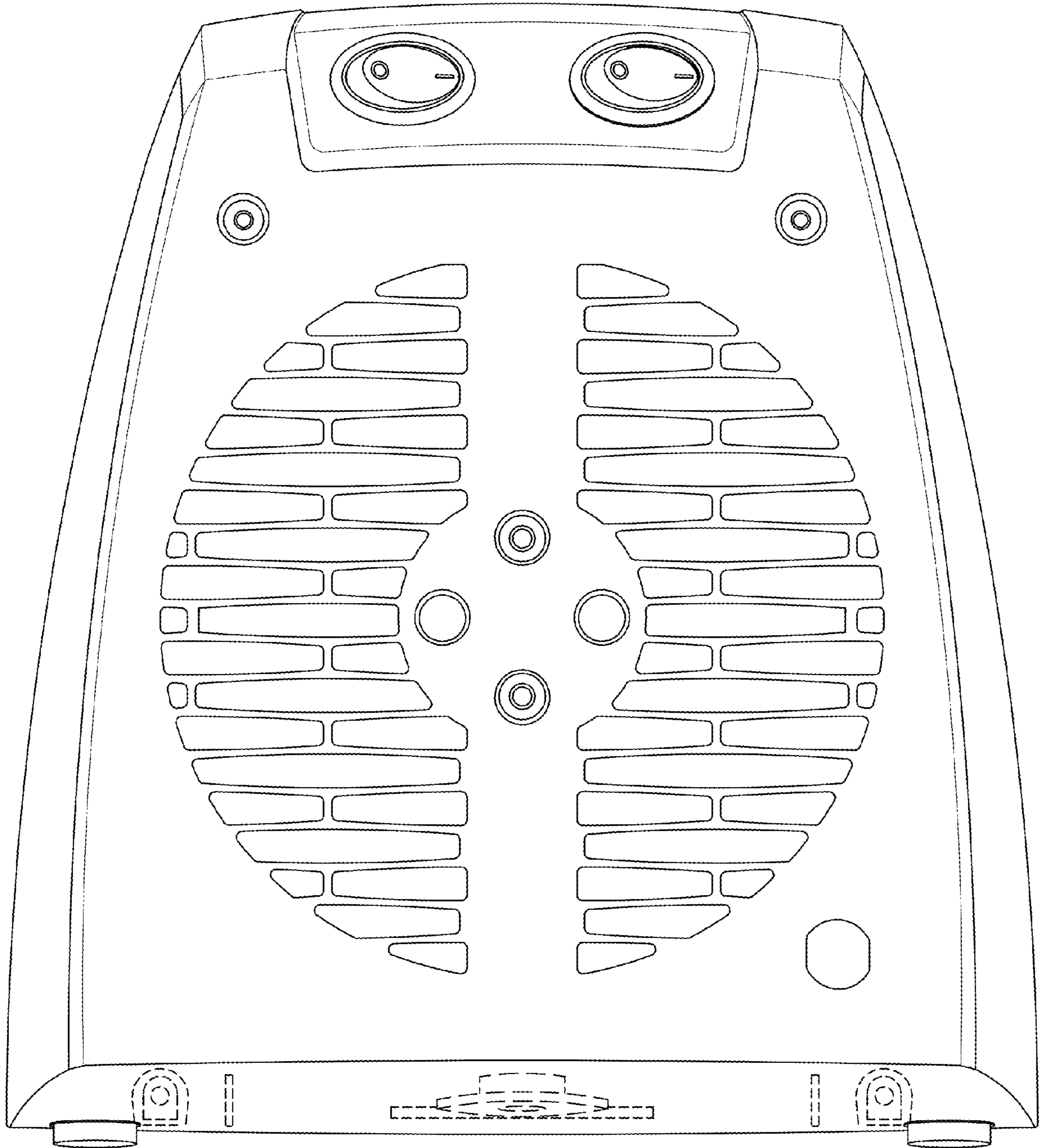


FIG. 3

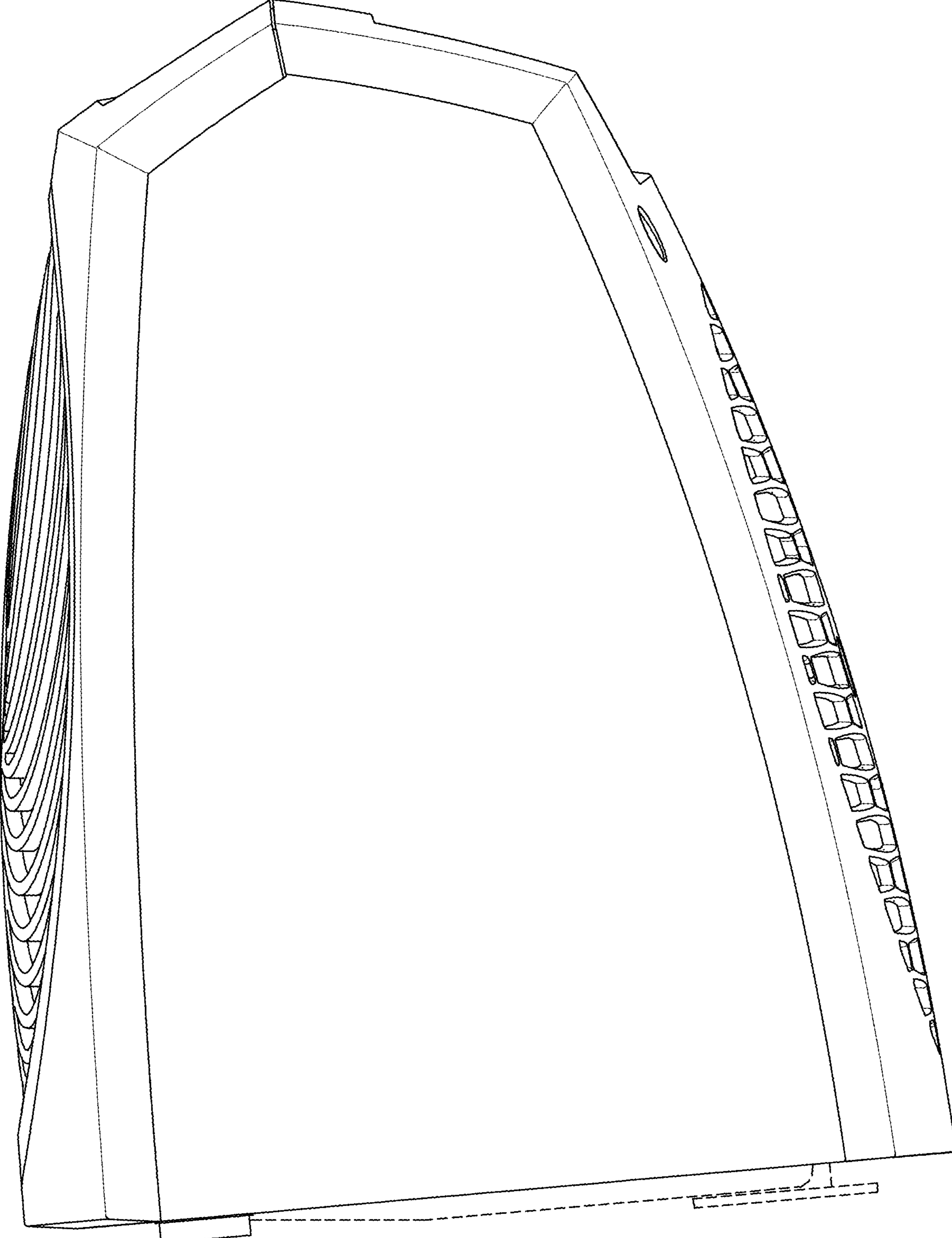


FIG. 4

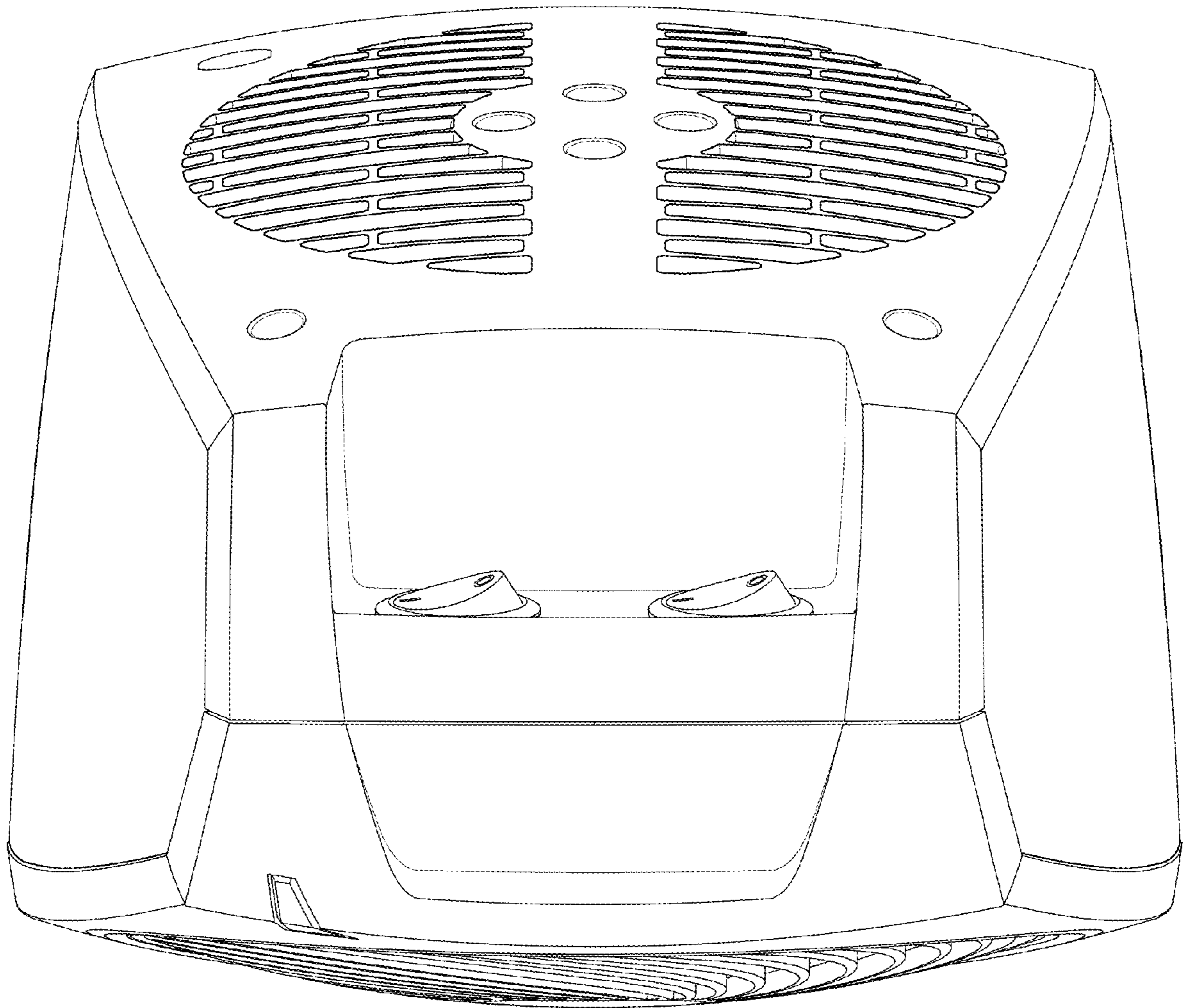


FIG. 5

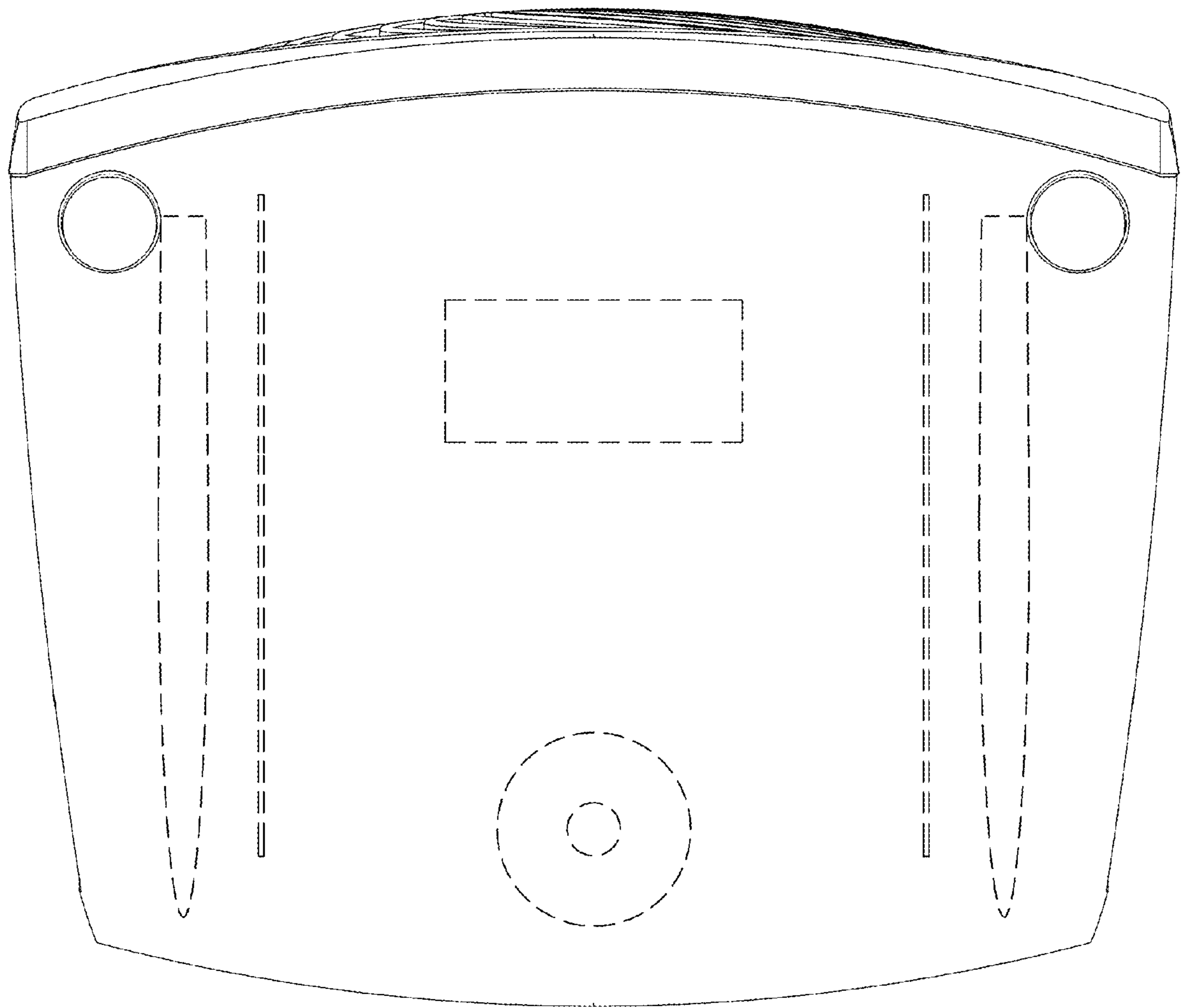


FIG. 6